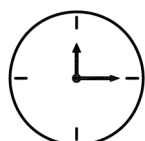
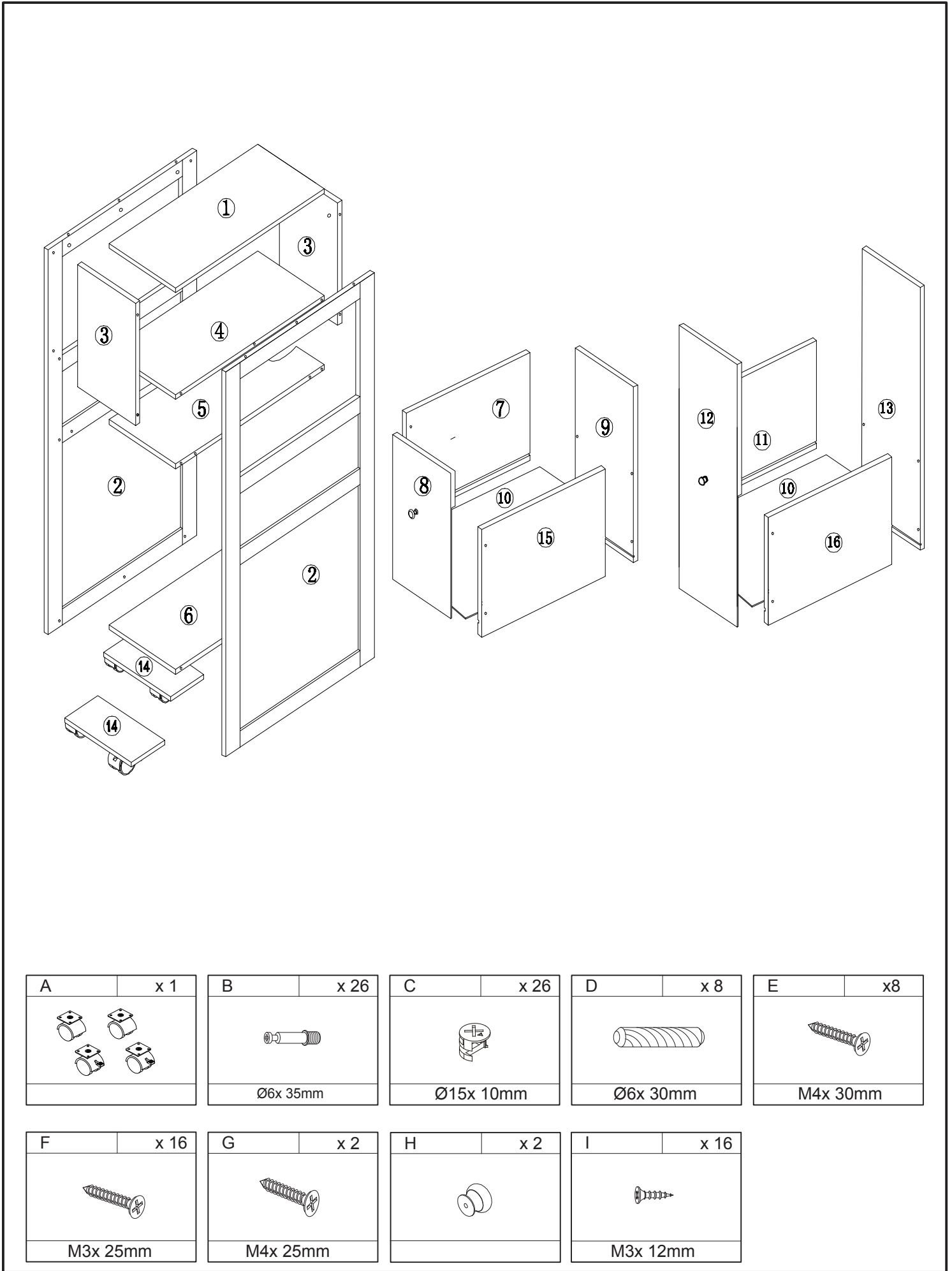


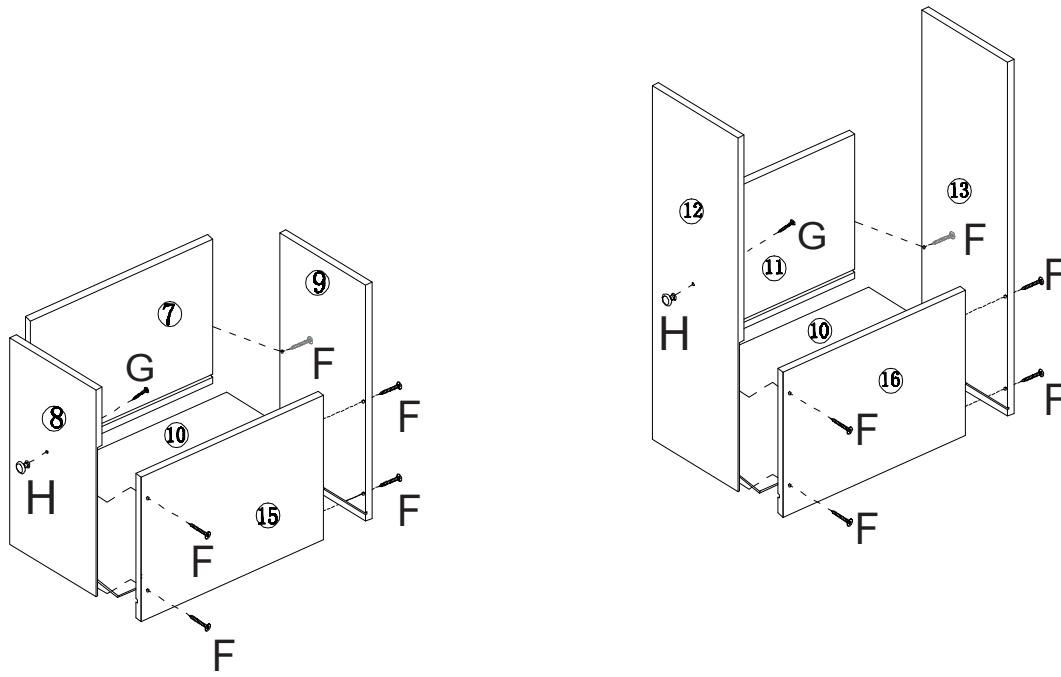
2 PERS.

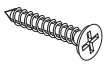



60 MIN

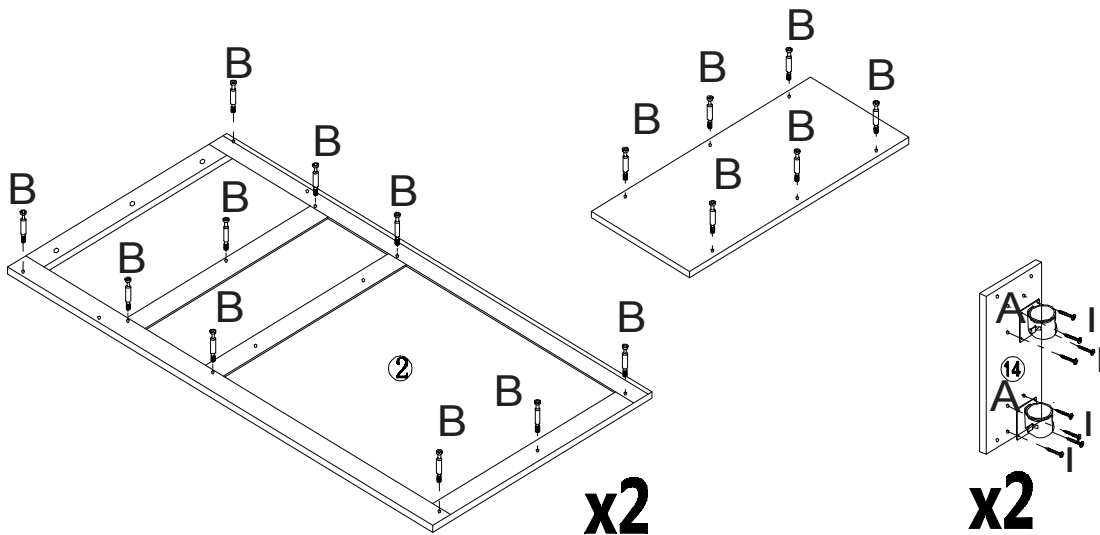


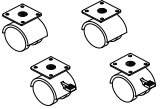
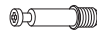

1



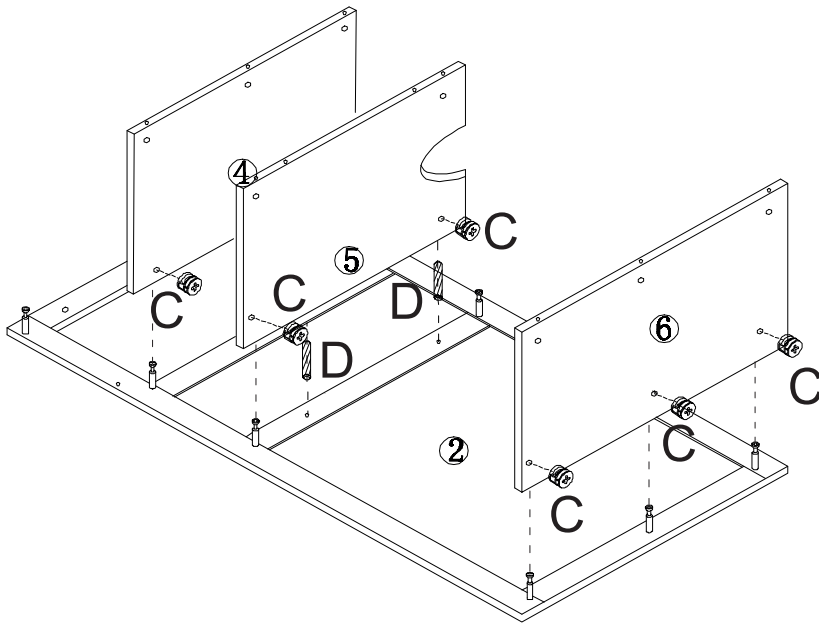
F	x 16	G	x 2	H	x 2
					
M3x 25mm		M4x 25mm			


2




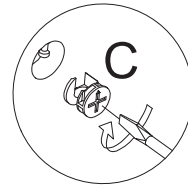
A	x 1	B	x 26	I	x 16
					
		Ø6x 35mm		M3x 12mm	

3

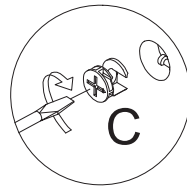
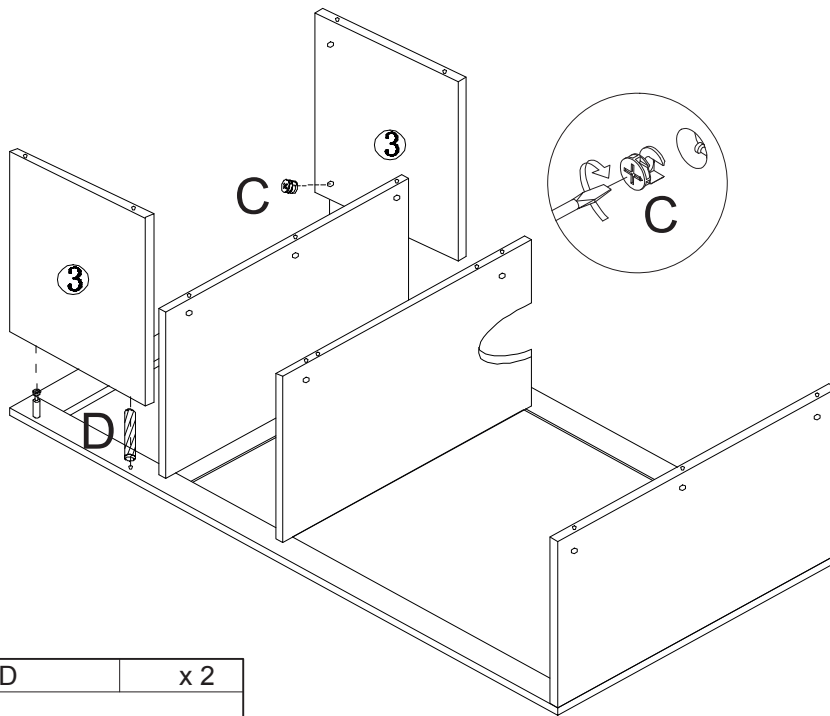



C	x 8
	
Ø15x 10mm	


D	x 2
	
Ø6x 30mm	



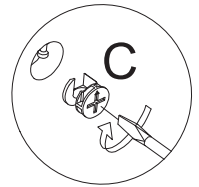
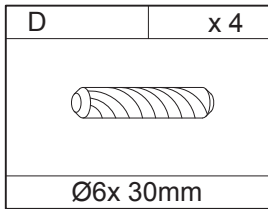
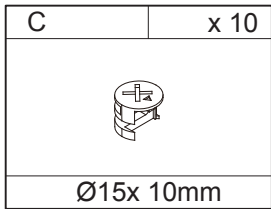
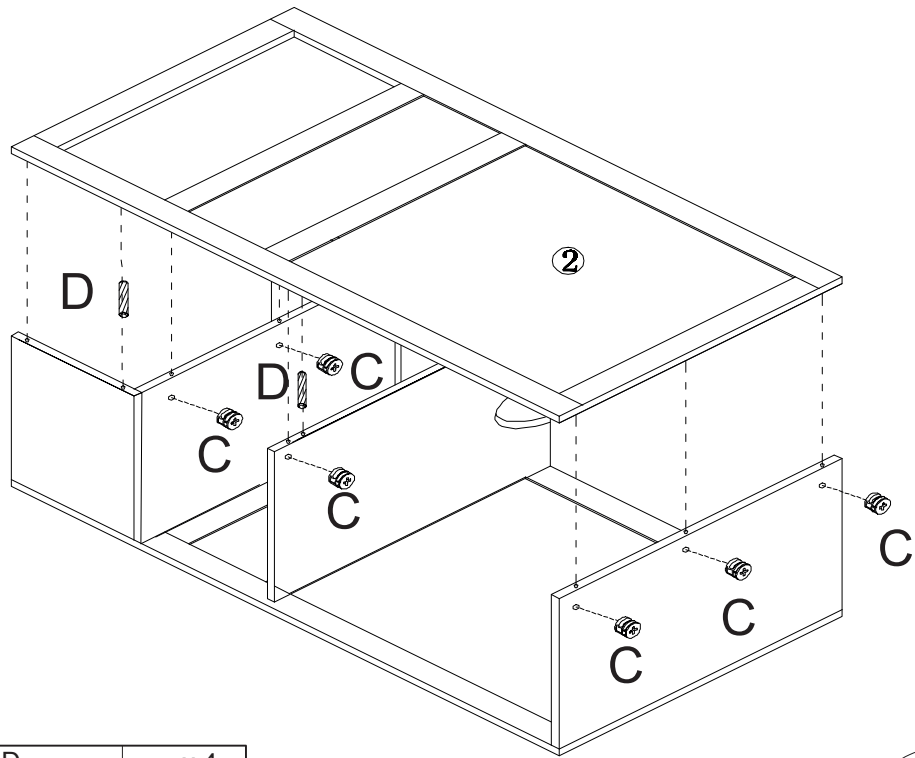
4



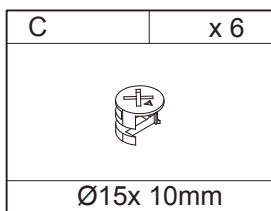
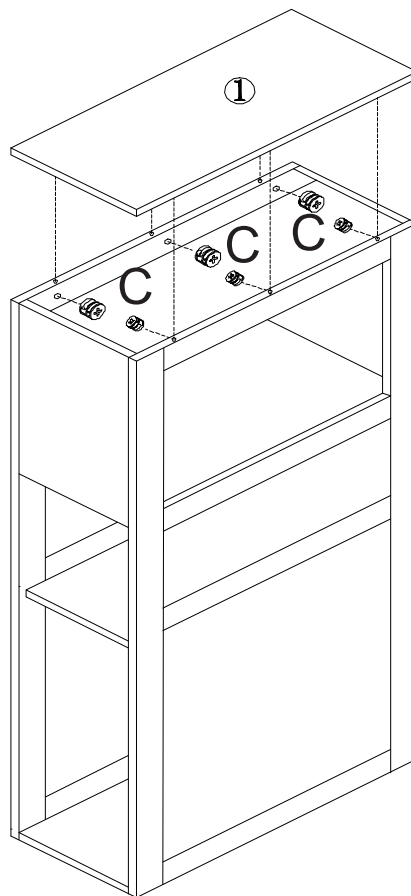
C	x 2
	
Ø15x 10mm	

D	x 2
	
Ø6x 30mm	

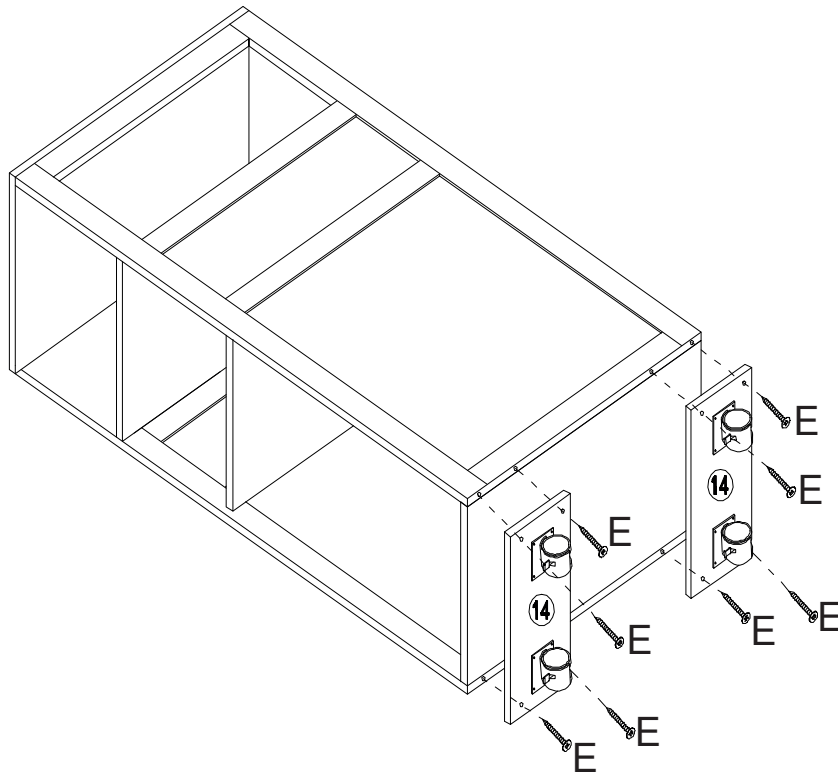
5




6



7



E	x8
	
M4x 30mm	

8

