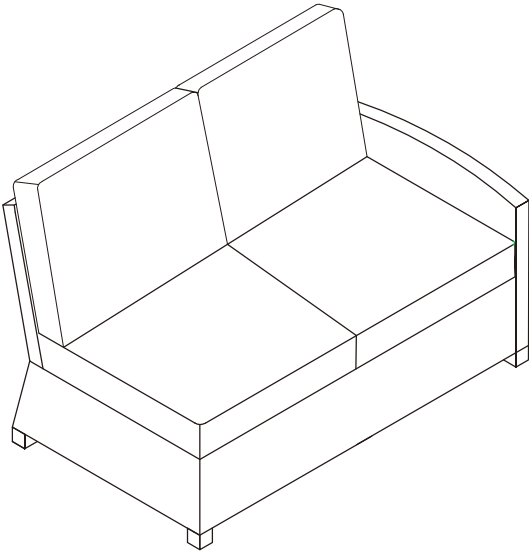
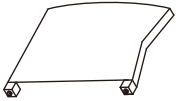

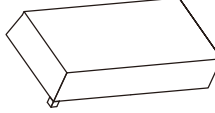


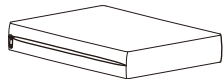



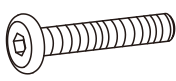
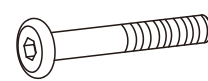



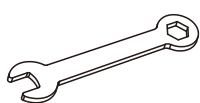
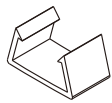
Outdoor Wicker Sectional Loveseat Right Corner



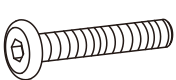
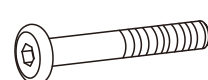


PART LIST

				
<p>Arm Panel 1 PC</p>	<p>Back Panel 1 PC</p>	<p>Seat Panel 1 PC</p>	<p>Cover Of Seat Cushion * 2 PCS</p>	<p>Core Of Seat Cushion 2 PCS</p>
		<p>*Please note cushion covers will ship separately.</p>		
<p>Cover Of Back Cushion * 2 PCS</p>	<p>Core Of Back Cushion 2 PCS</p>			

HARDWARE LIST

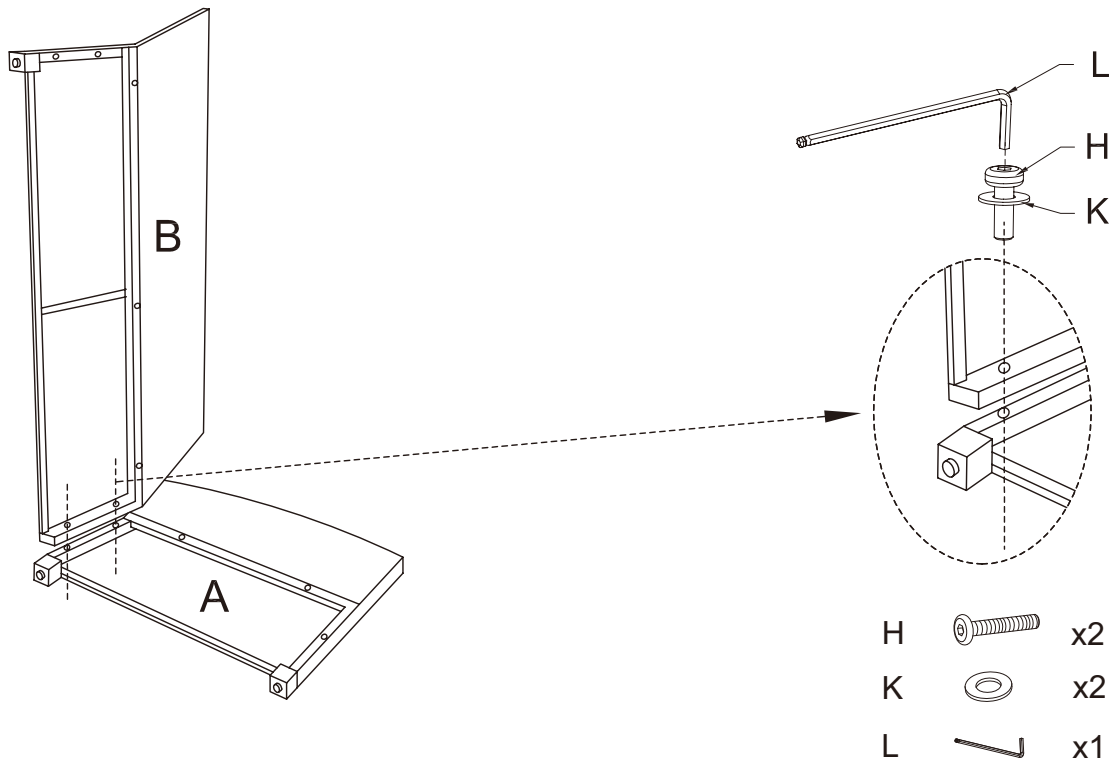
 <p>M6*55mm</p>	 <p>M6*65mm</p>	 <p>M6mm</p>	 <p>M6mm</p>	 <p>M6mm</p>
<p>Medium Bolt 5 PCS</p>	<p>Long Bolt 5 PCS</p>	<p>Nut 5 PCS</p>	<p>Washer 15 PCS</p>	<p>Allen Key 1 PC</p>
 <p>M6mm</p>				
<p>Wrench 1 PC</p>	<p>Plastic Clip 2 PCS</p>			

EXTRA HARDWARE LIST

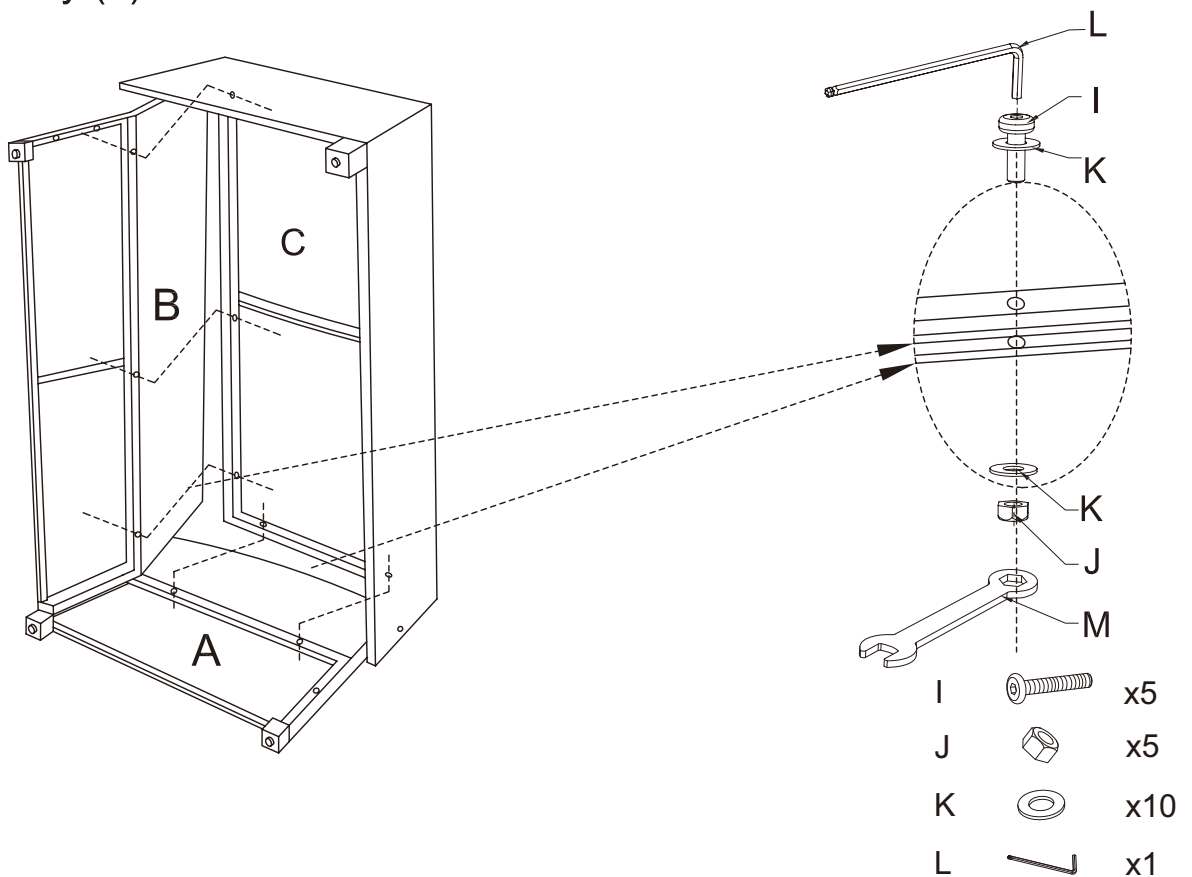
 <p>M6*55mm</p>	 <p>M6*65mm</p>	 <p>M6mm</p>	 <p>M6mm</p>
<p>Medium Bolt 2 PCS</p>	<p>Long Bolt 2 PCS</p>	<p>Nut 2 PCS</p>	<p>Washer 3 PCS</p>

Step 1. Lay Arm Panel (A) down on a flat surface. Attach Back Panel(B) to Arm Panel(A) using the Short Bolts(H), Washers(K), & Allen Key (L).

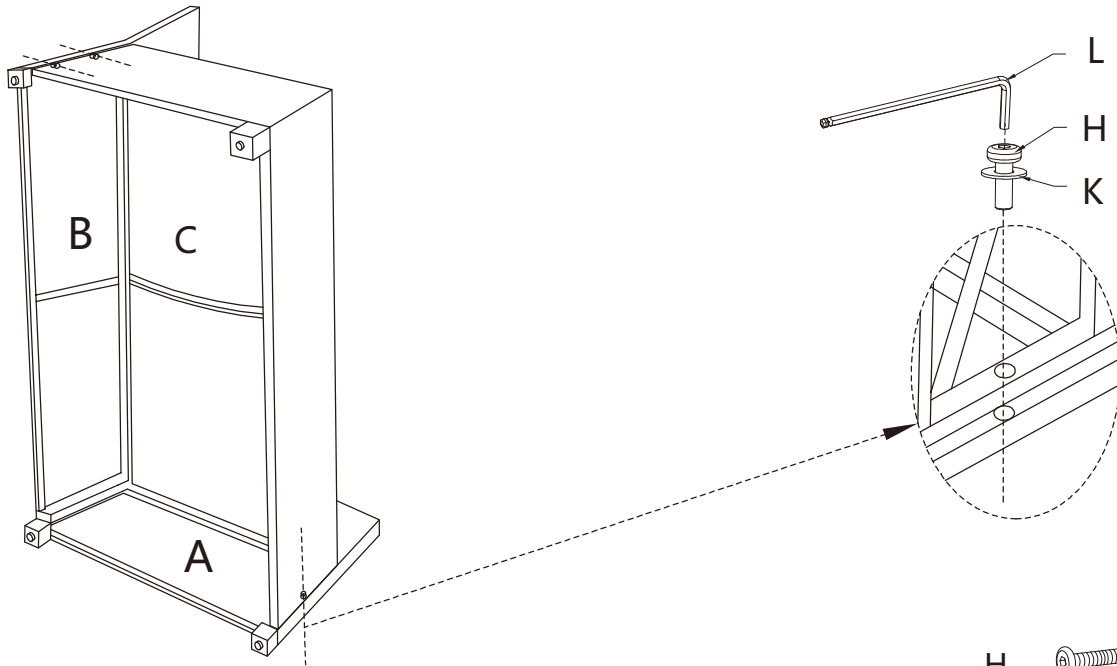
NOTE: Please do not fully tighten bolts until unit is fully assembled.






Step 2. Attach Seat Panel(C) to Arm Panel(A) and Back Panel (B) using the Long Bolts(I) Washers(K), Nuts(J), Wrench (M) & Allen Key (L).

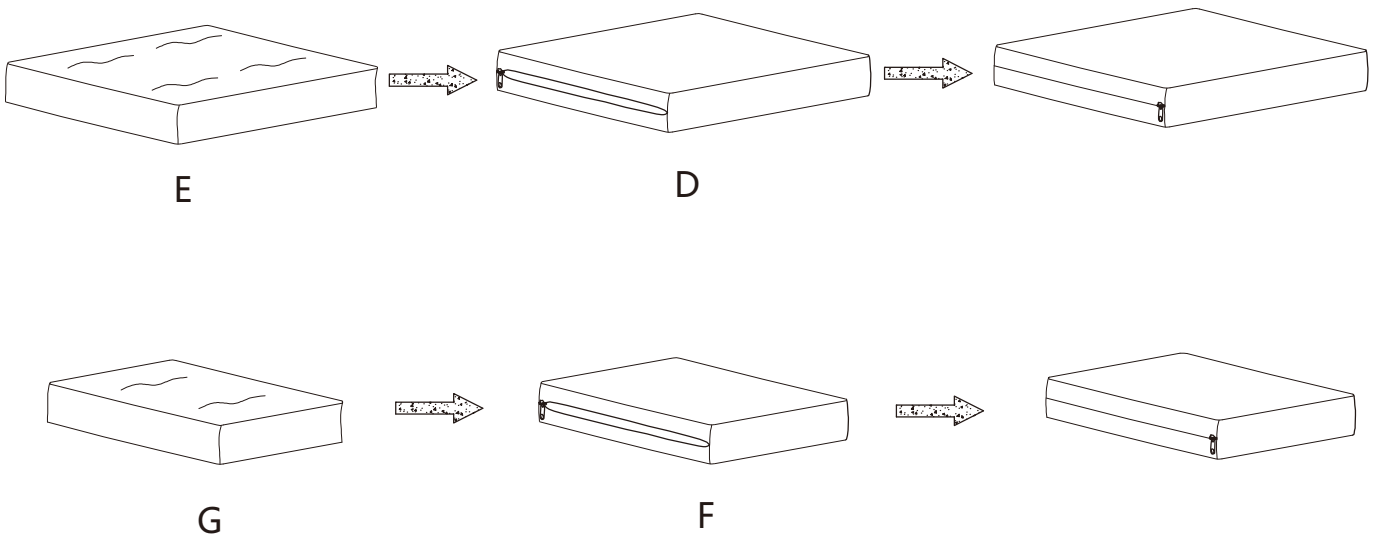


Step 3 Attach Seat Panel (C) to Arm Panel (A) and Back Panel (B) using the Short Bolts(H), Washers (K) & Allen Key (L).

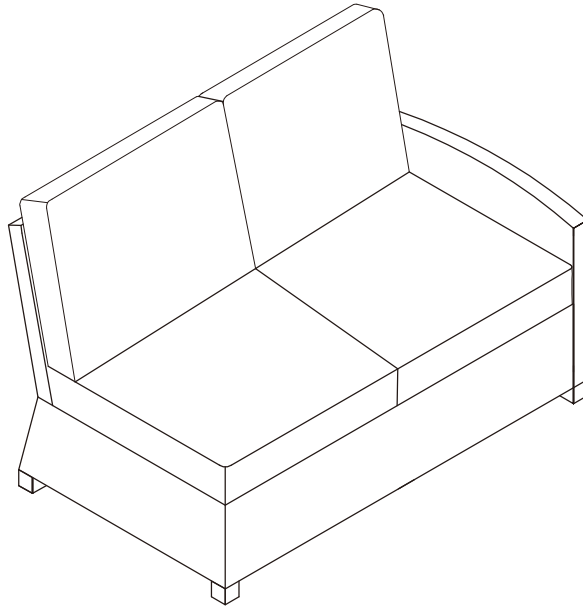


- | | | |
|---|--|----|
| H |  | x3 |
| K |  | x3 |
| L |  | x1 |

Step 4 Insert Core Of Seat Cushion (E) into Cover Of Seat Cushion (D).
Insert Core Of Back Cushion (G) into Cover Of Back Cushion (F).



Step 5. Place Seat Cushion and Back Cushion on the loveseat.



Step 6. Use plastic clips (part N) to secure additional units together as shown.

