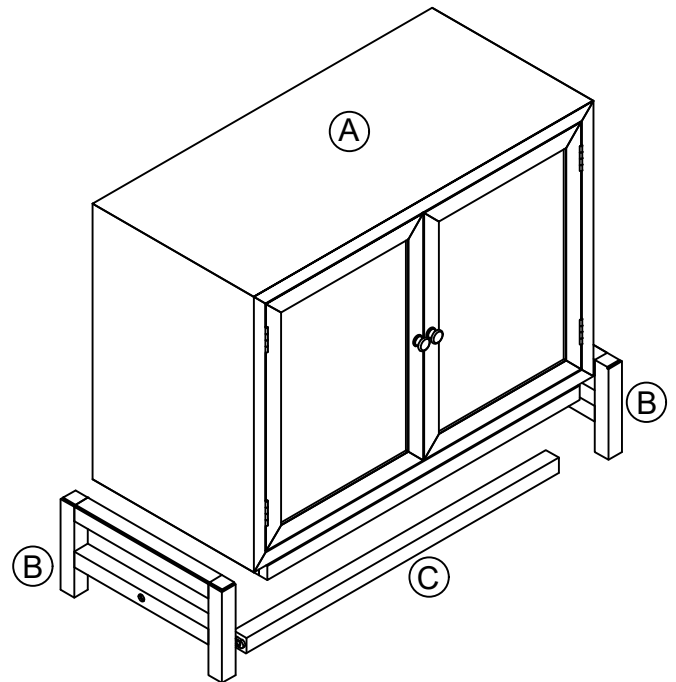
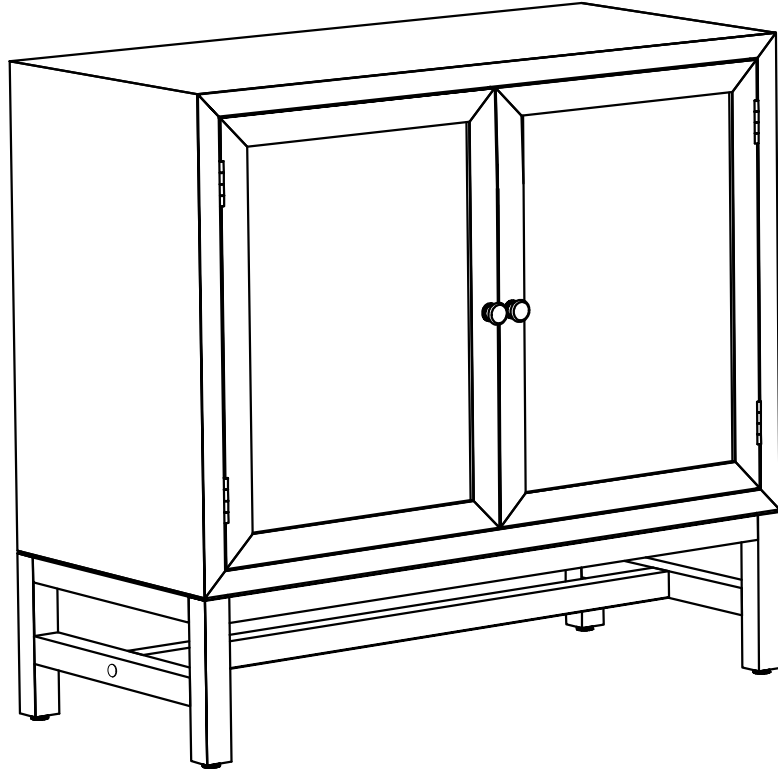


Assembly Instructions

2 Door Cabinet With Raffia Panels

SKU # SB - 68RA31 COLLECTIONS



ITEM	DESCRIPTION	QUANTITY
A	Cabinet	1
B	Legs	2
C	Crossbar	1

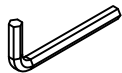
hardware



H1 x 6
bolts M6 x 45mm



H2 x 4
flat washers



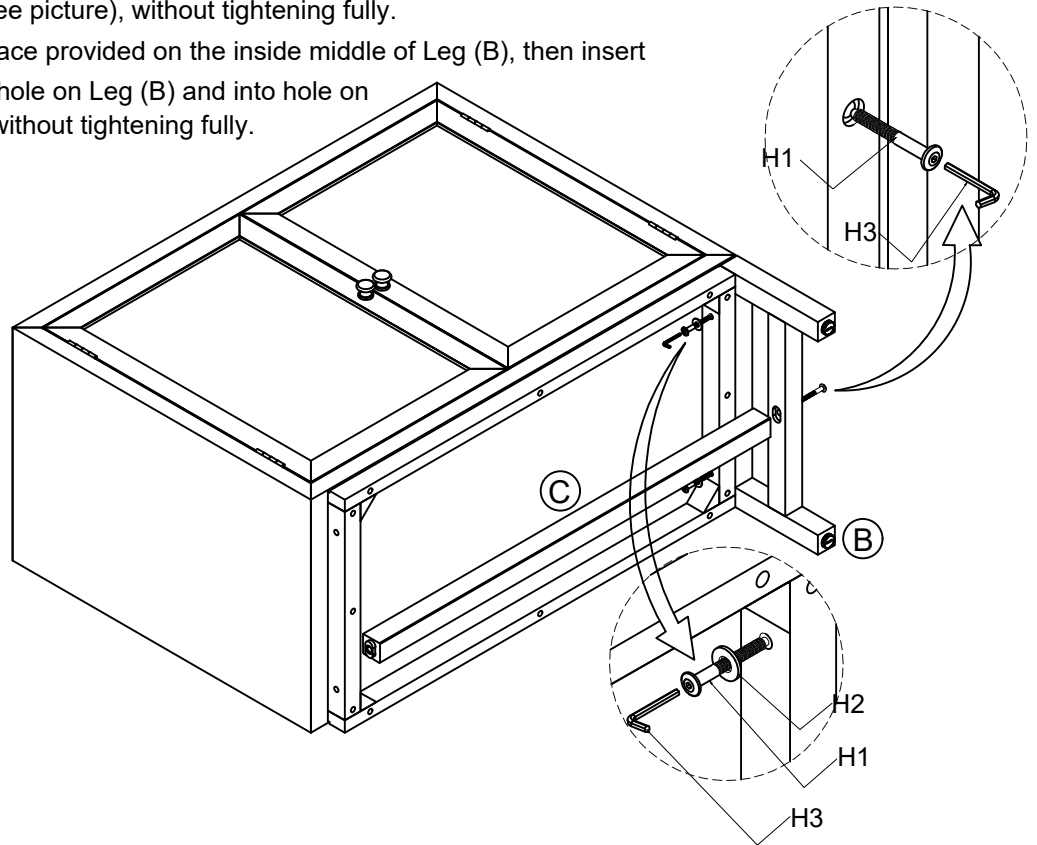
H3 x 1
hex key #4



H4 x 2
Plug

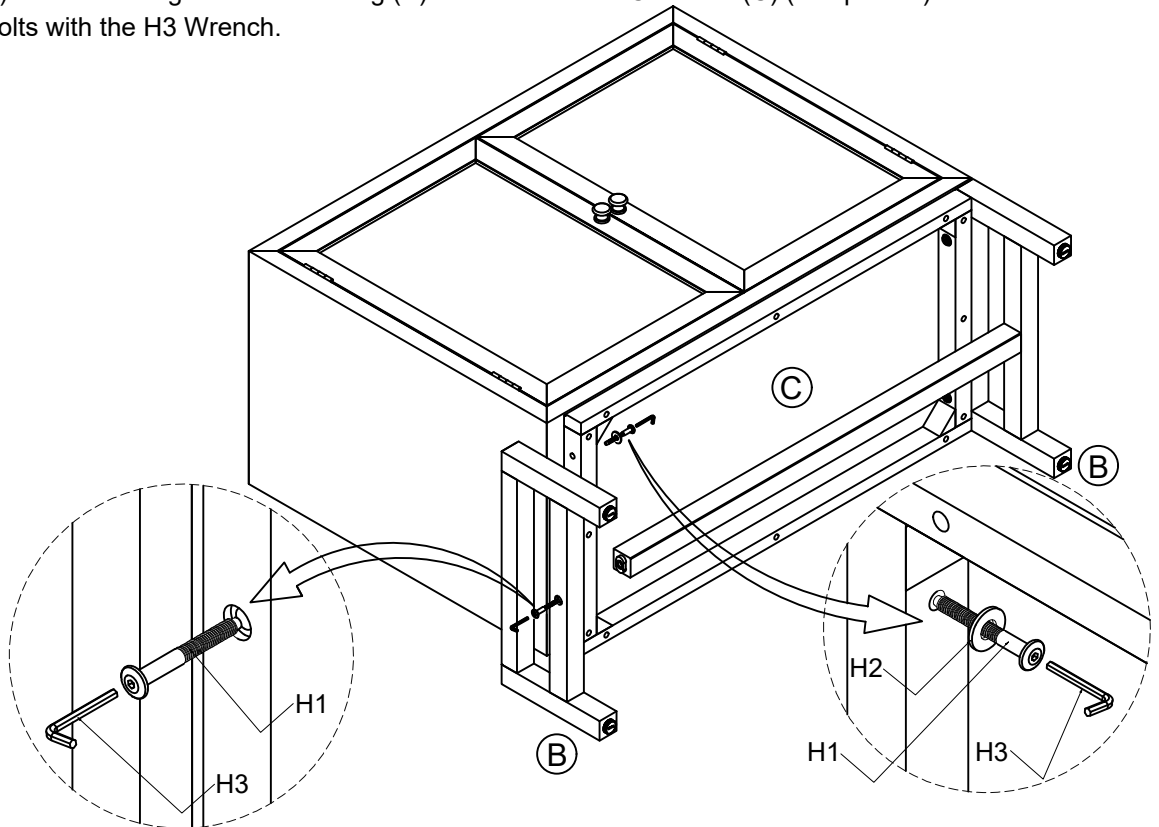
Step 1

1. Place the Cabinet (A) with doors facing up on the ground.
2. Place one leg (B) in the space provided on bottom right of cabinet (A), then insert two (2) H1 Bolts through two (2) H2 Washers and through the holes on bottom of Cabinet (A) and into the holes on Leg (B) (See picture), without tightening fully.
3. Place crossbar (C) in the space provided on the inside middle of Leg (B), then insert one (1) H1 Bolt through the hole on Leg (B) and into hole on Crossbar (C) (see picture), without tightening fully.



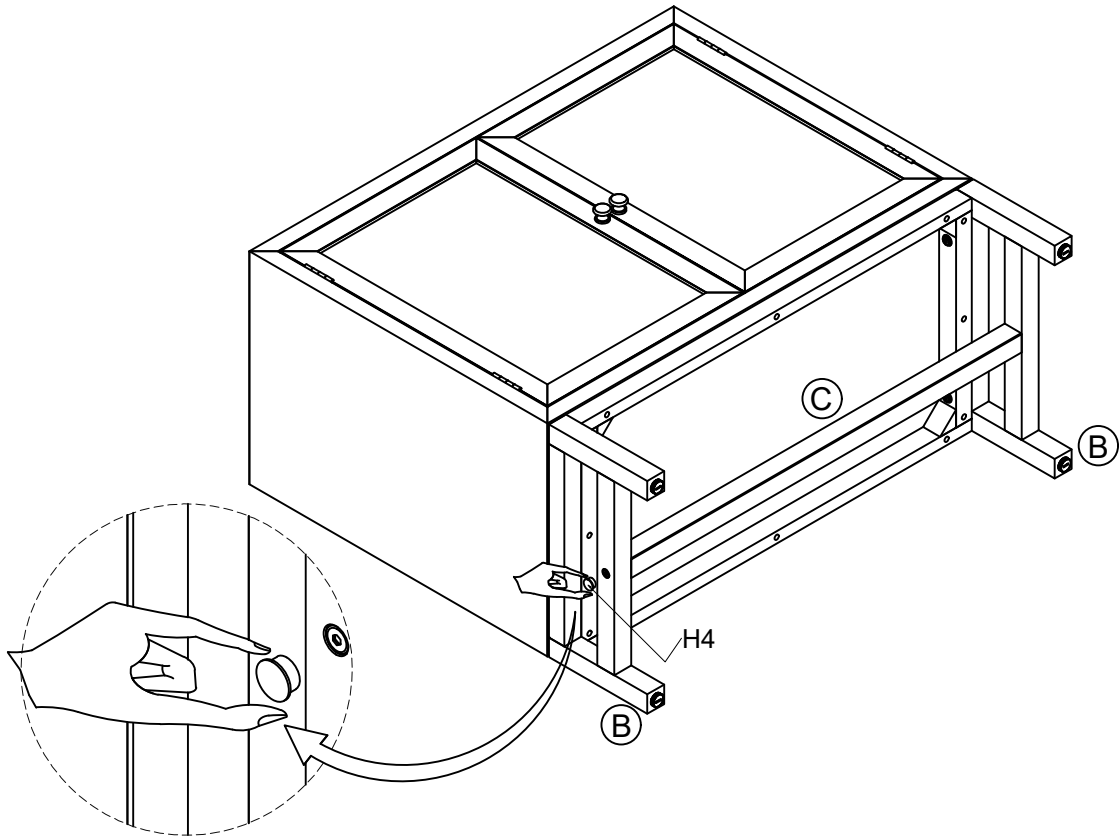
Step 2

1. Place the other leg (B) in the space provided on the bottom left of Cabinet (A), then insert two (2) H1 Bolts through two (2) H2 Washers and through the holes on the bottom of Cabinet (A) and into holes on Leg (B) (see picture), without tightening fully.
2. Insert one (1) H1 Bolt through the hole on Leg (B) and into hole on Crossbar (C) (see picture).
3. Tighten all Bolts with the H3 Wrench.



Step 3

1. After all Bolts are tightened, put one (1) plug (H4) into each Bolt hole on both Legs (B) by pressing into holes (see picture)

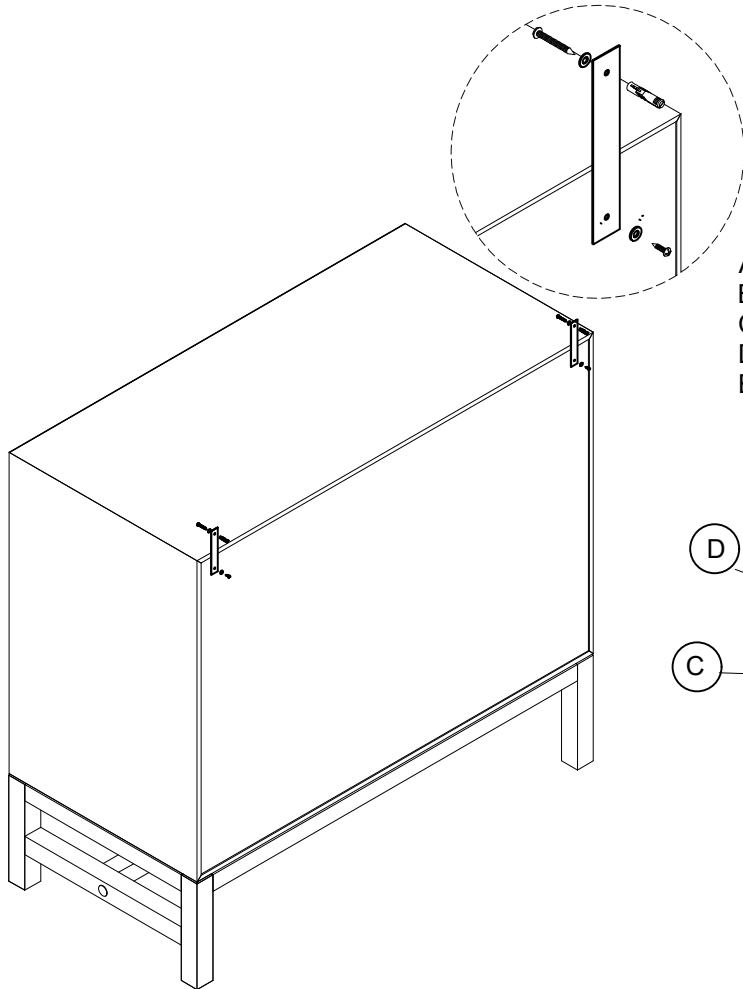


NOTE:

The door knob is attached to the inside of the door for packaging purposes. Please remove from the inside of the cabinet and secure to the front.

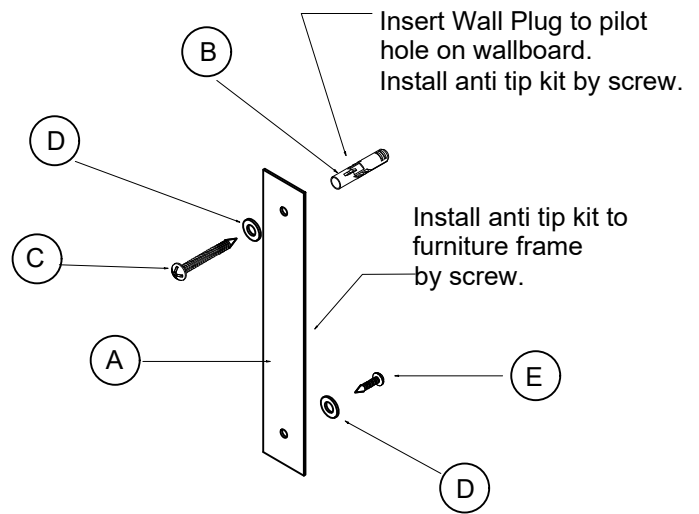
Step 4

1. Install Belt (A) to back of Cabinet (A) using one (1) Washer (D) and the short Screw (E) (see picture).
2. Pre-drill two pilot holes into drywall, aligned with top holes of Belt (A). Holes should be the same diameter as the Drywall Anchor (B).
3. Insert Drywall Anchors (B) into pilot holes.
4. Insert Long Screws (C) into top holes on Belt (A) and into Drywall Anchors (B), tighten Long Screws to secure to wall.



HARDWARE ANTI TIP KIT

- A .Belt
- B .Drywall Anchor
- C. Long screw
- D. Washers
- E. Short screw



ANTI TIP KIT INSTALLATION