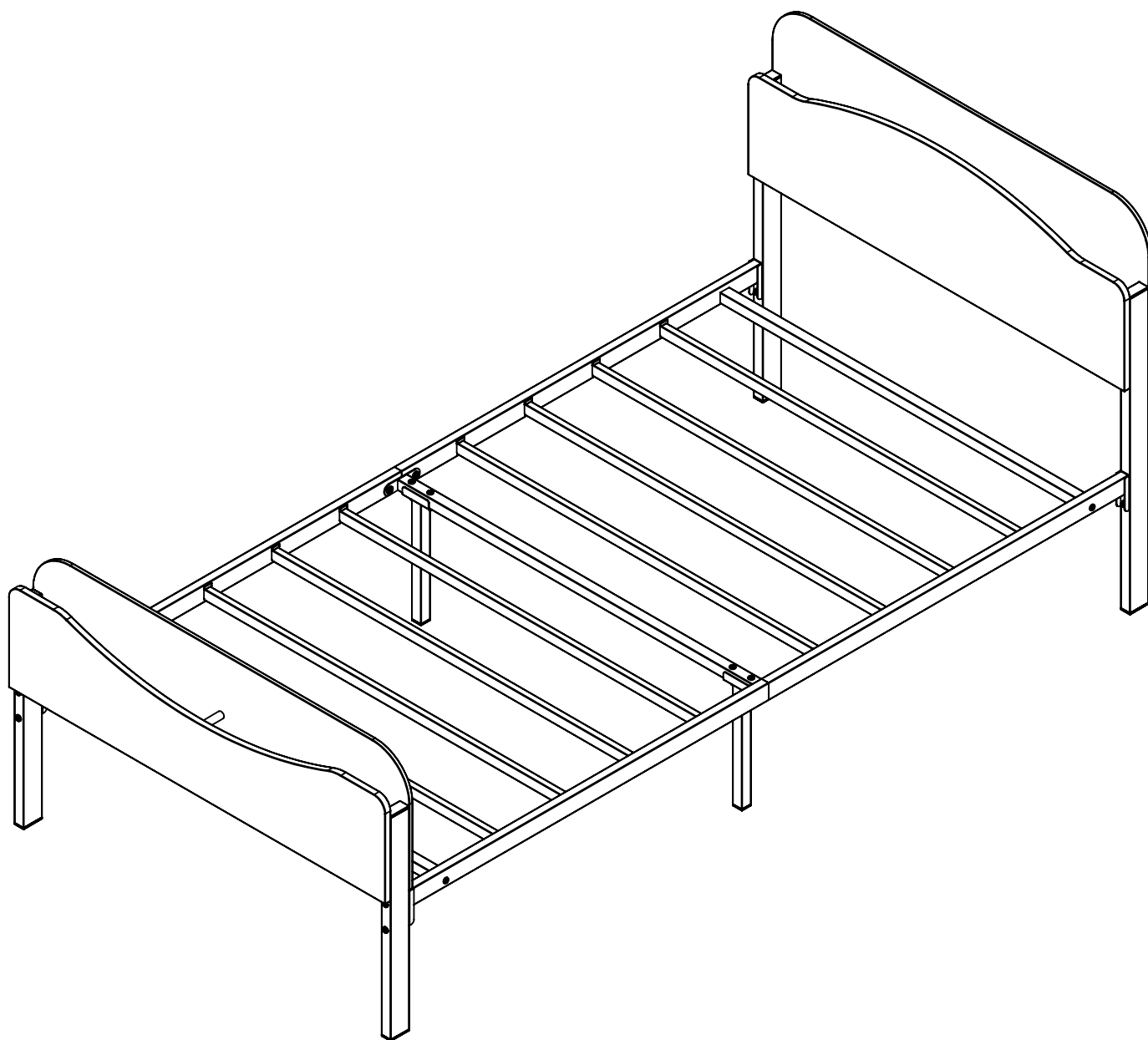
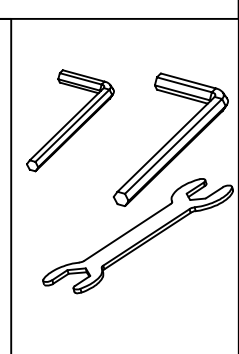
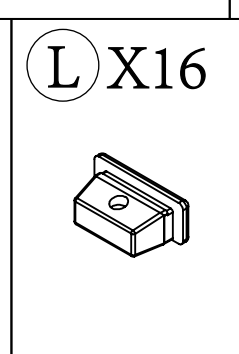
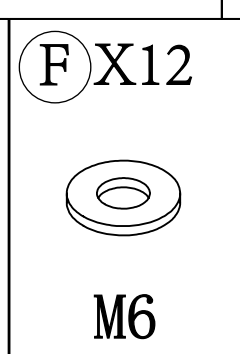
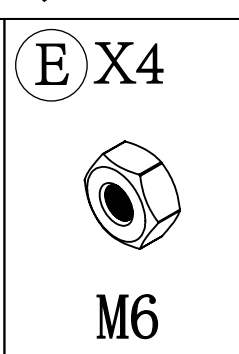
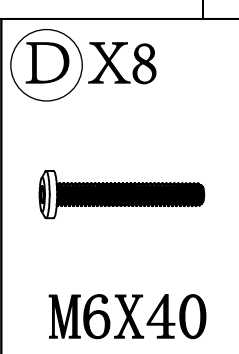
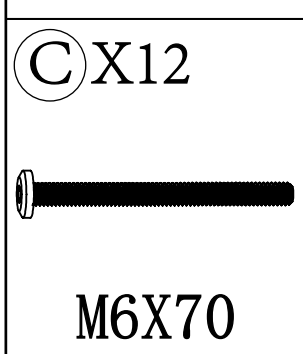
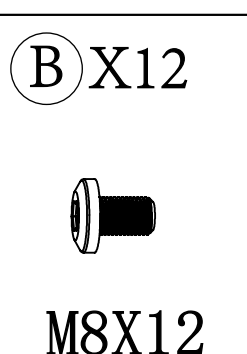
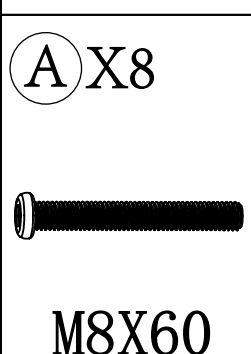
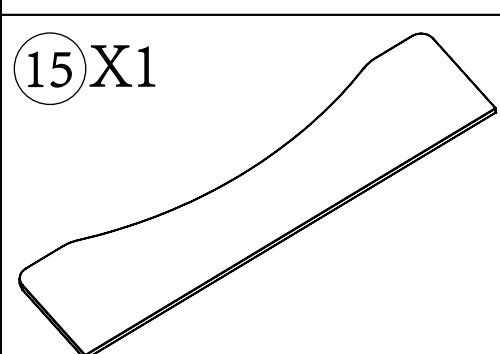
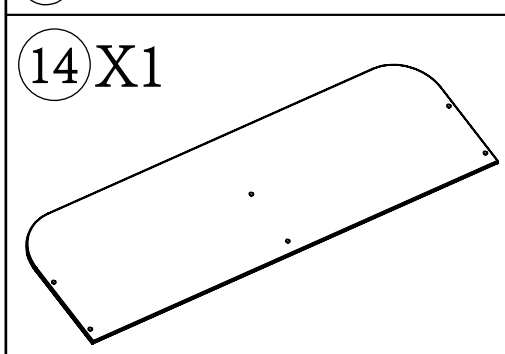
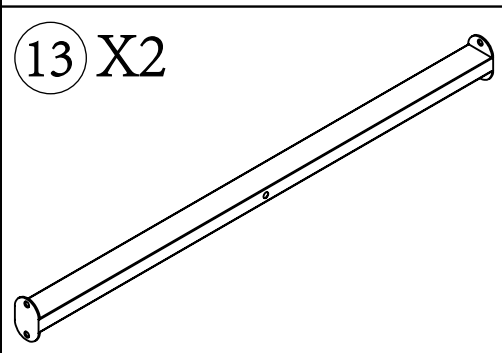
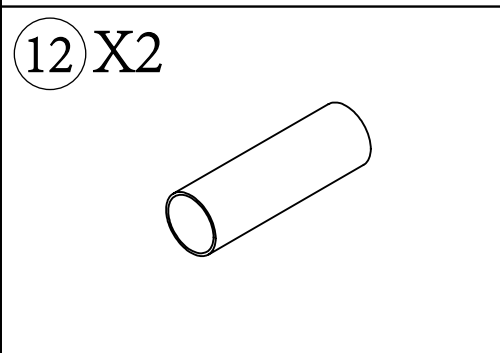
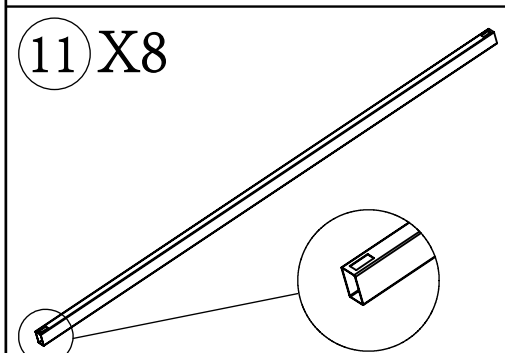
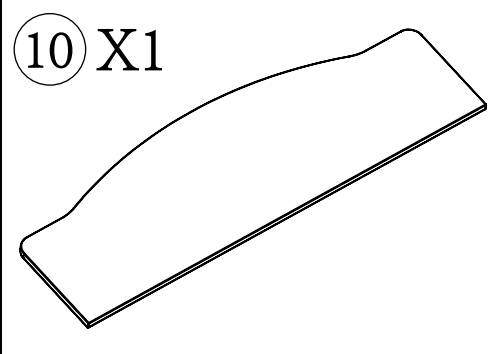
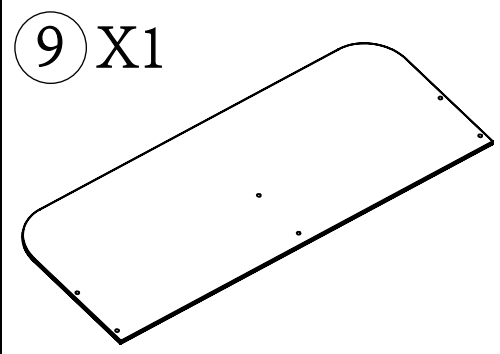
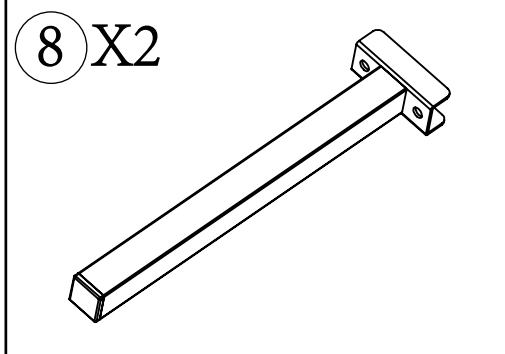
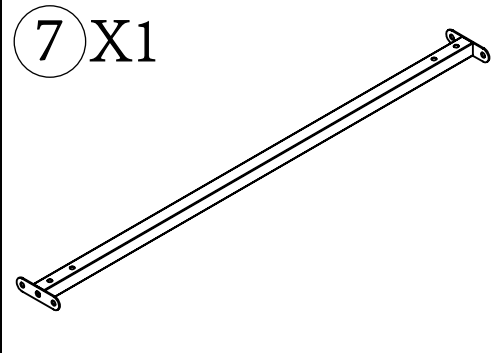
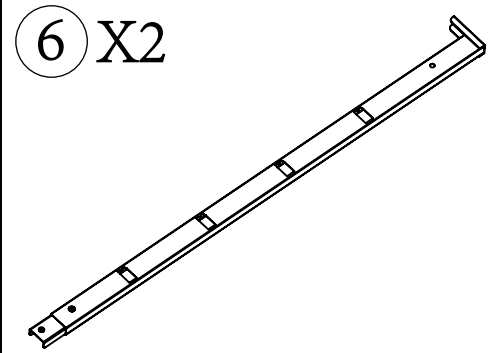
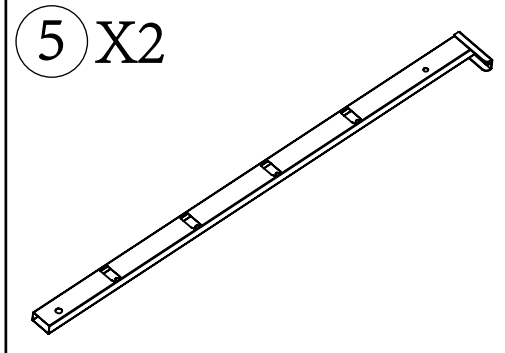
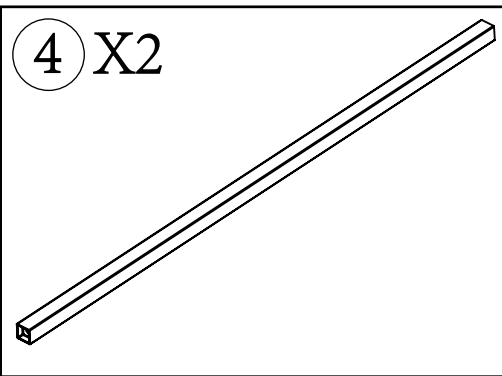
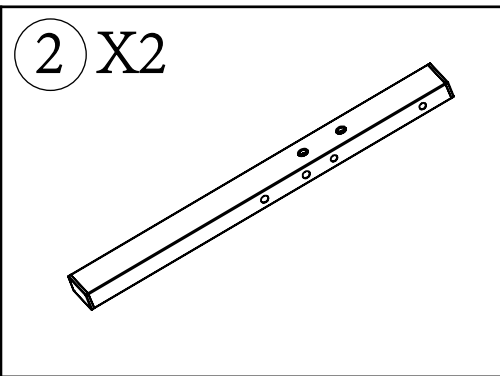
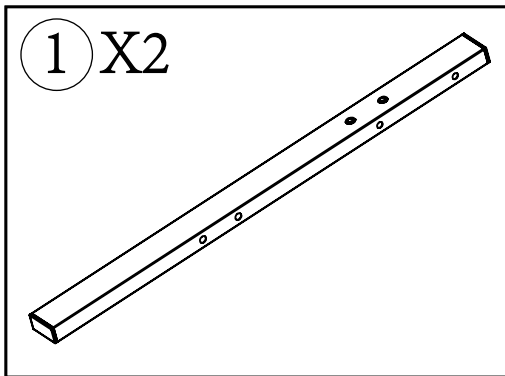
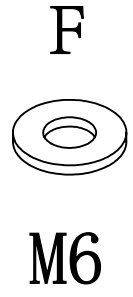
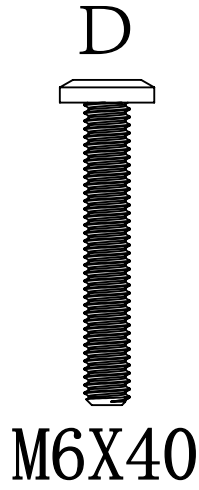
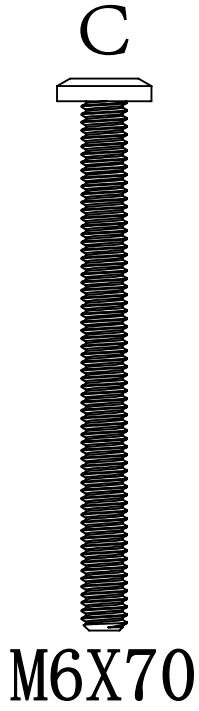
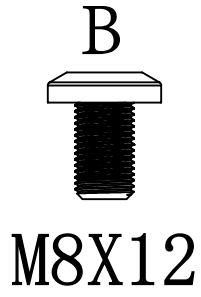
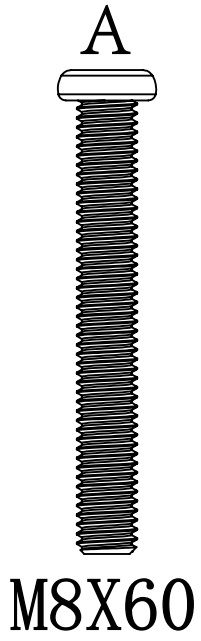


TWAGE TWIN BED FRAME



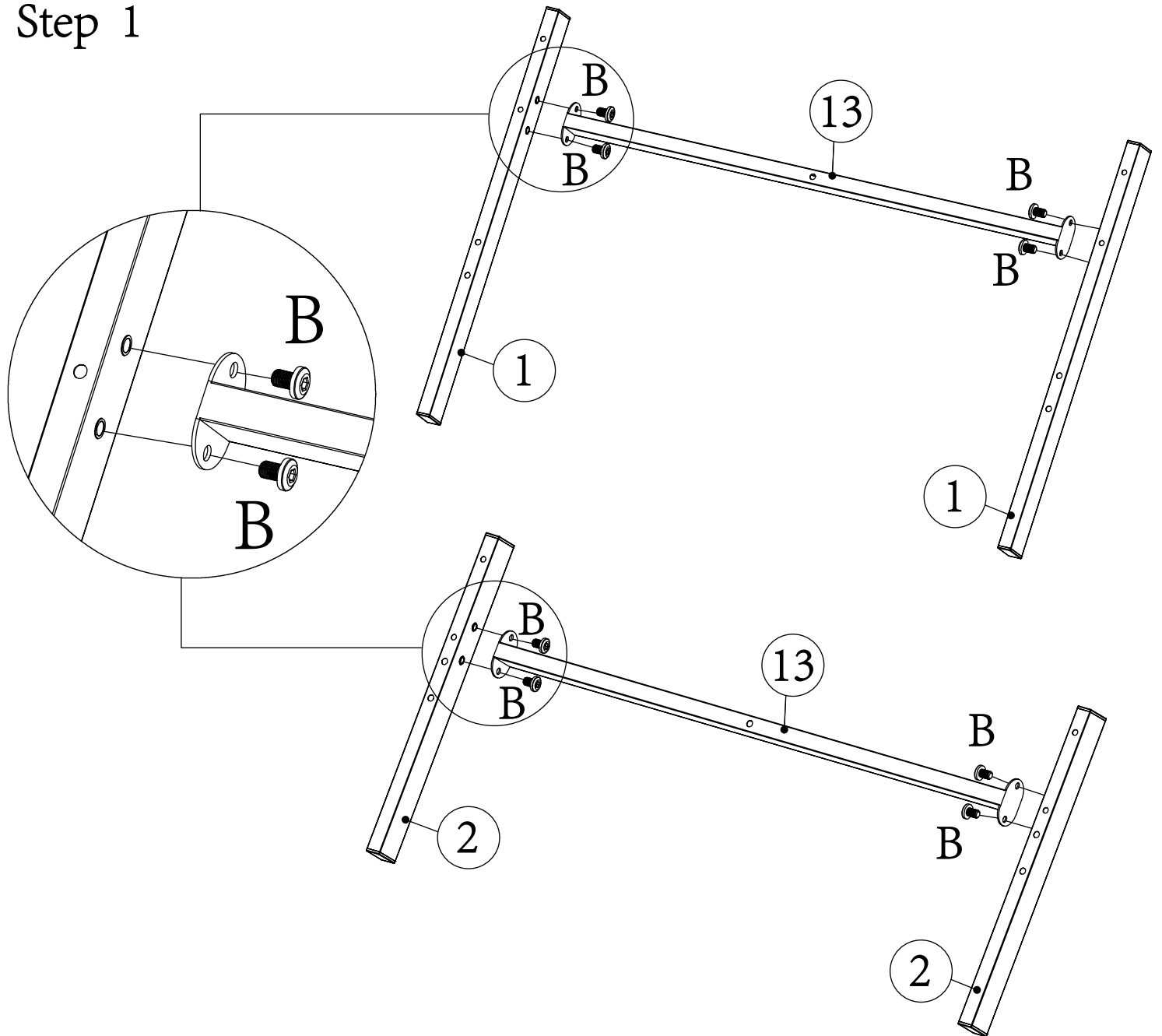


Difference screws display(1:1)

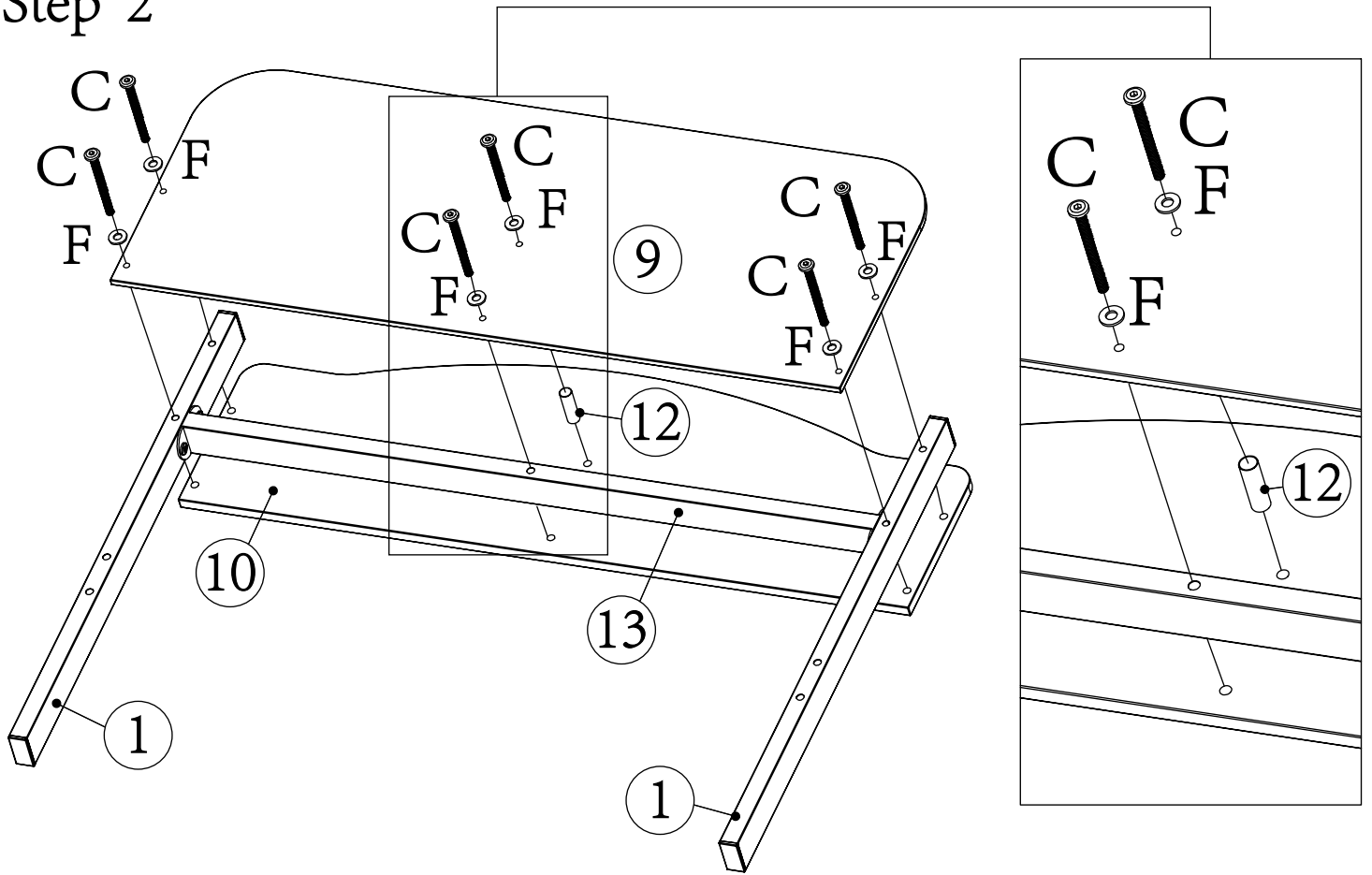


M6: Screw outer diameter 6mm
M8: Screw outer diameter 8mm

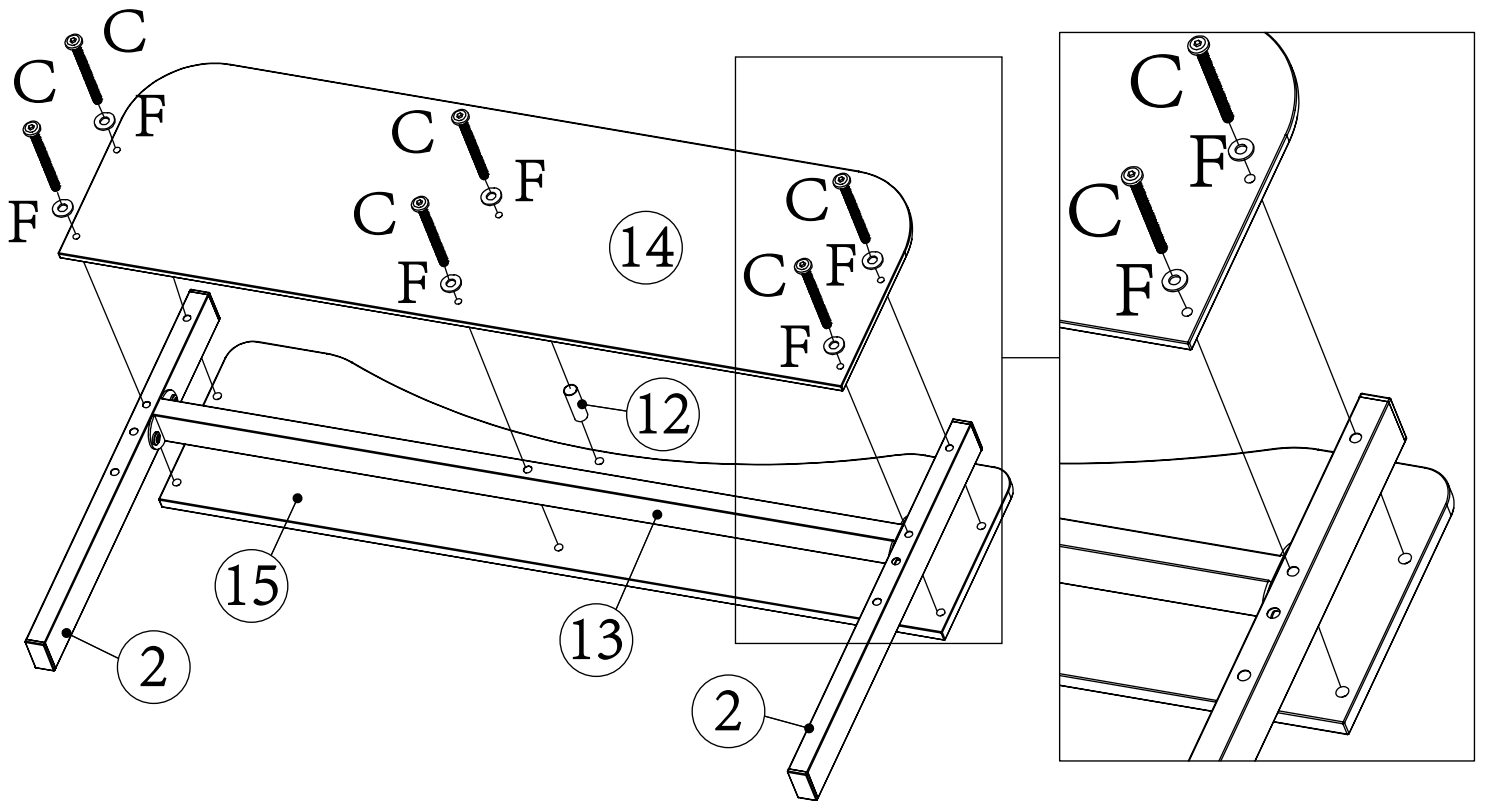
Step 1



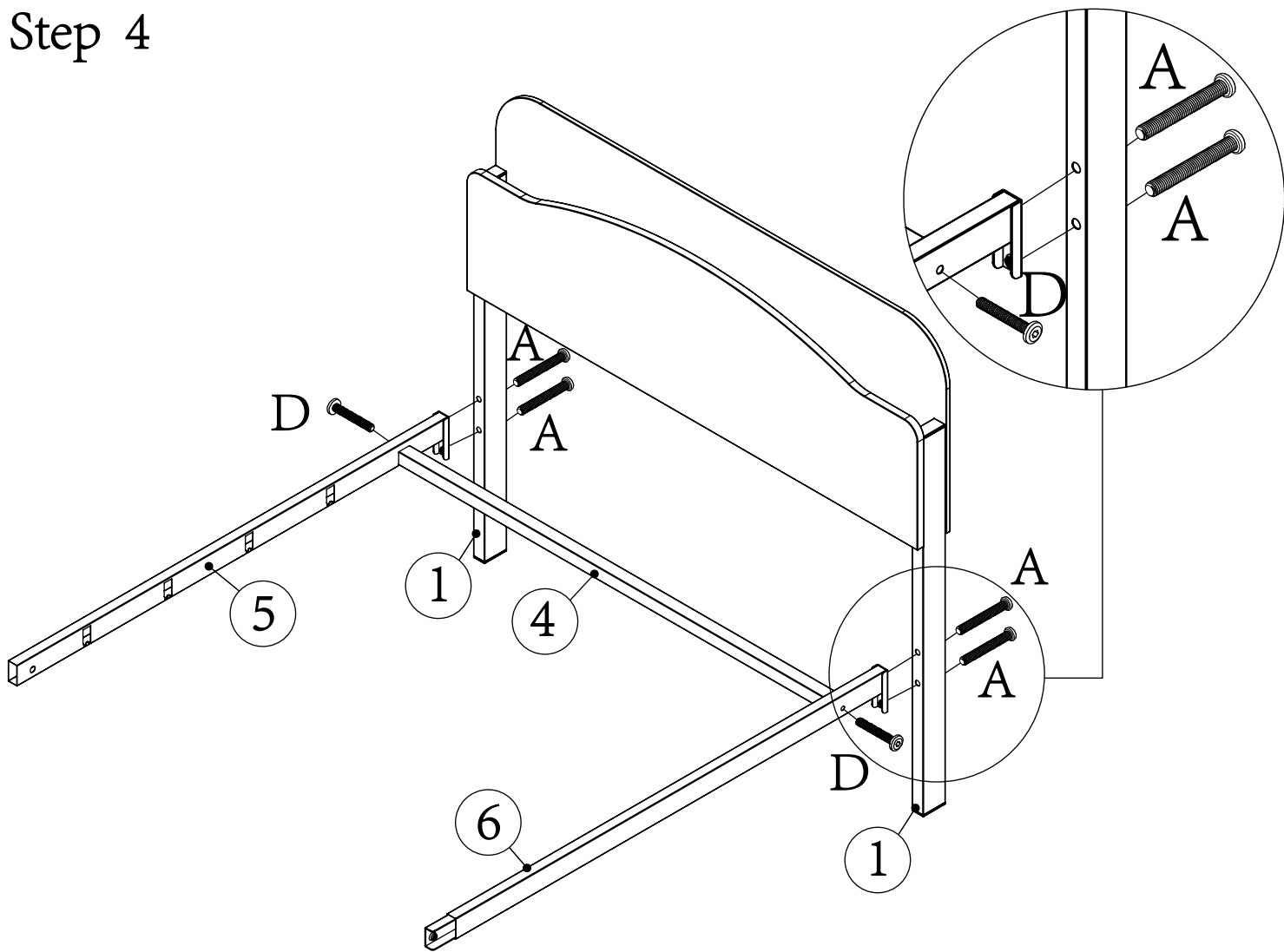
Step 2



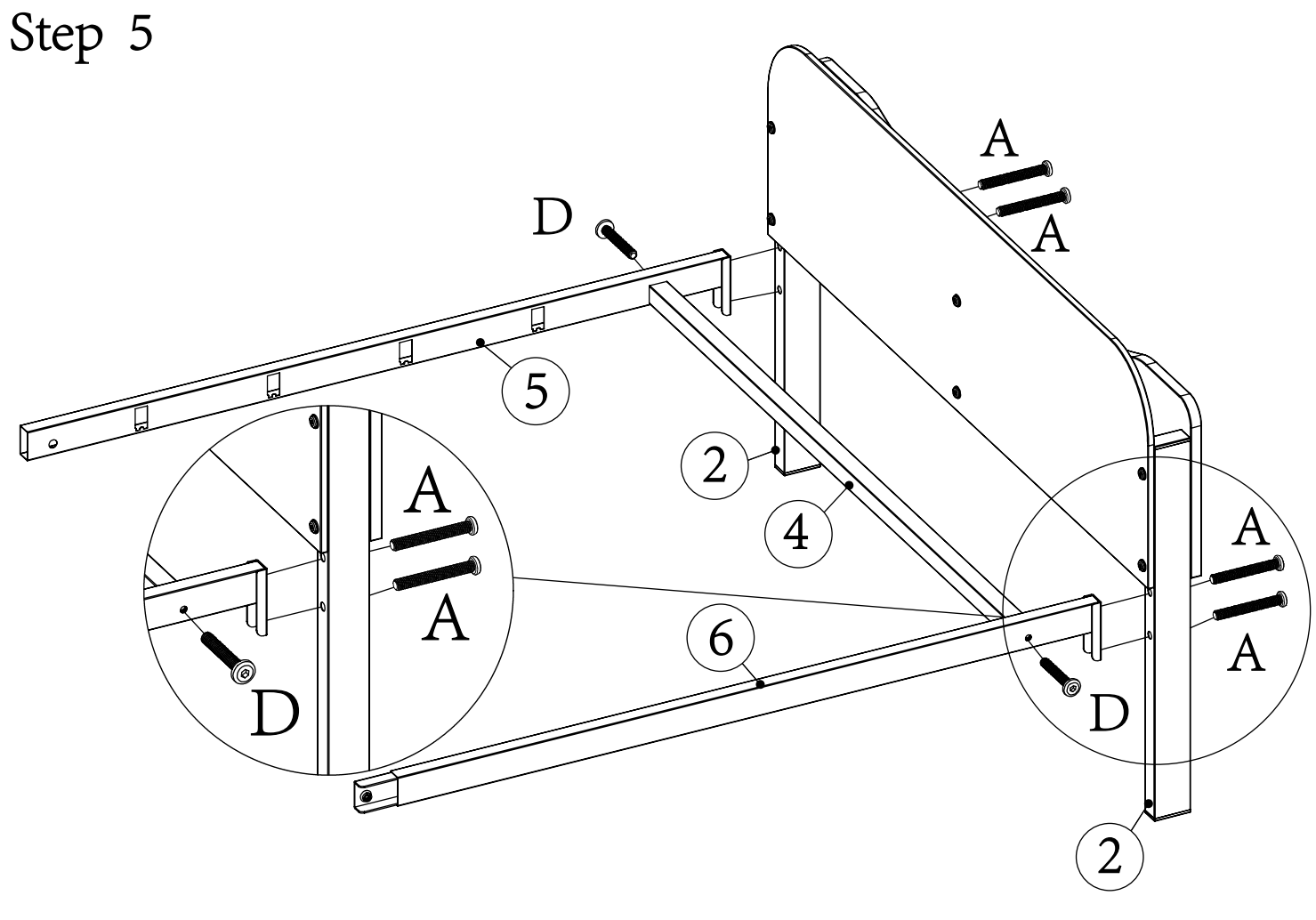
Step 3



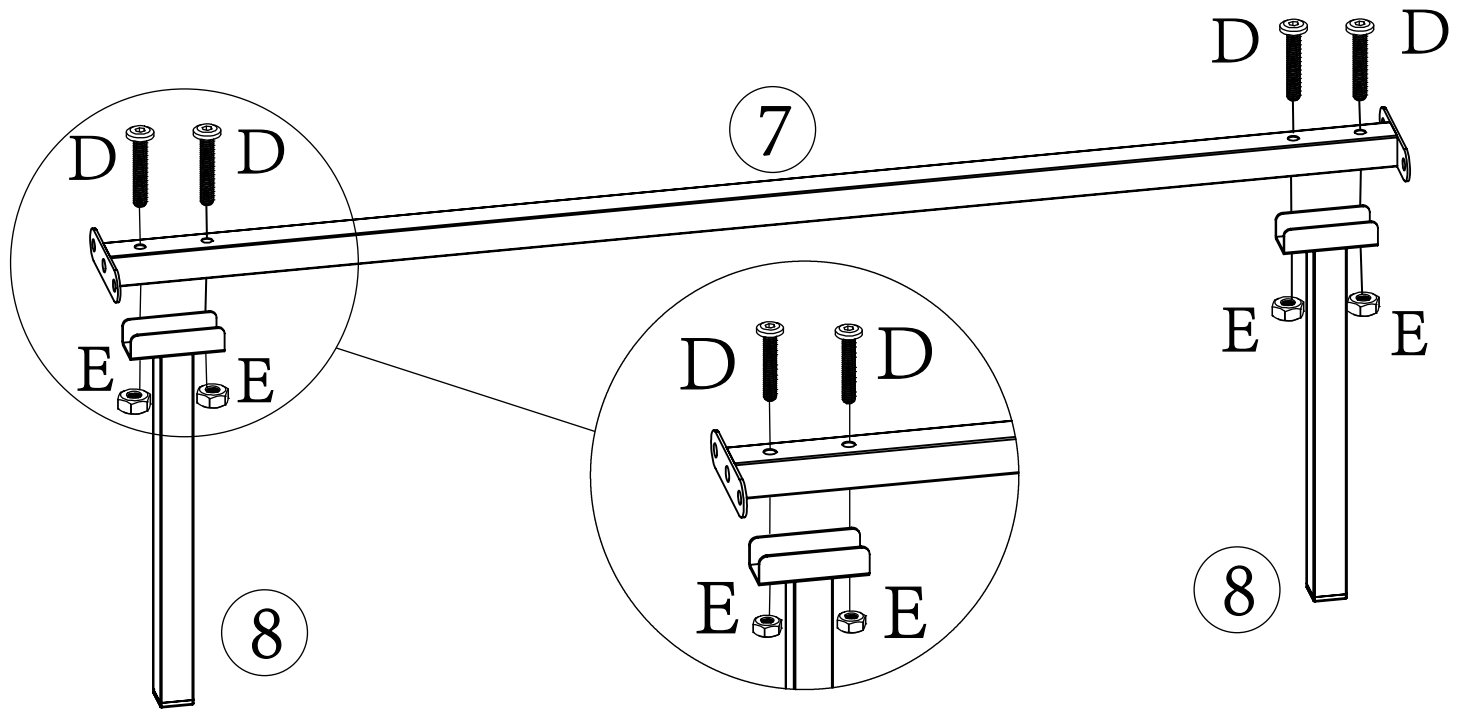
Step 4



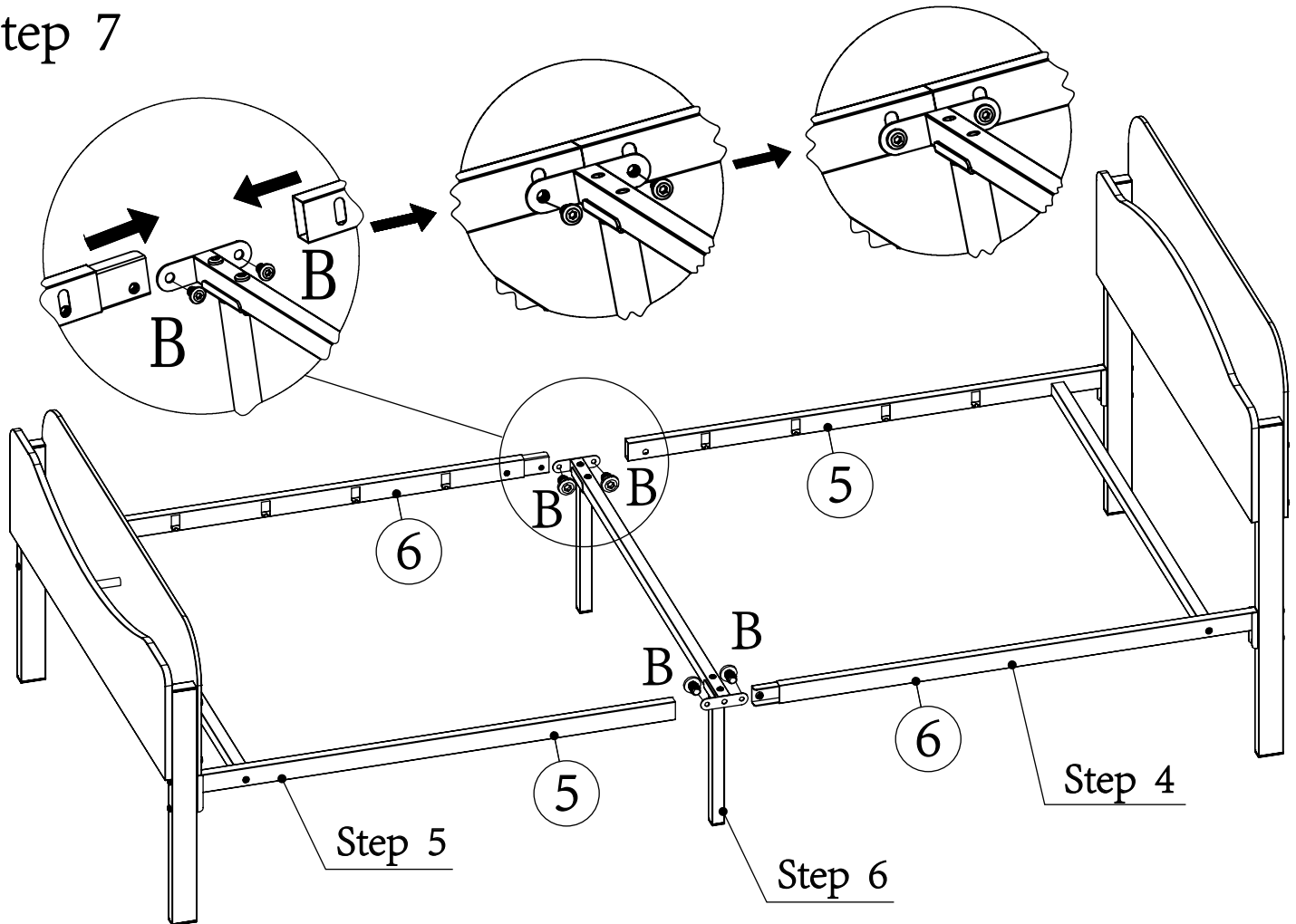
Step 5



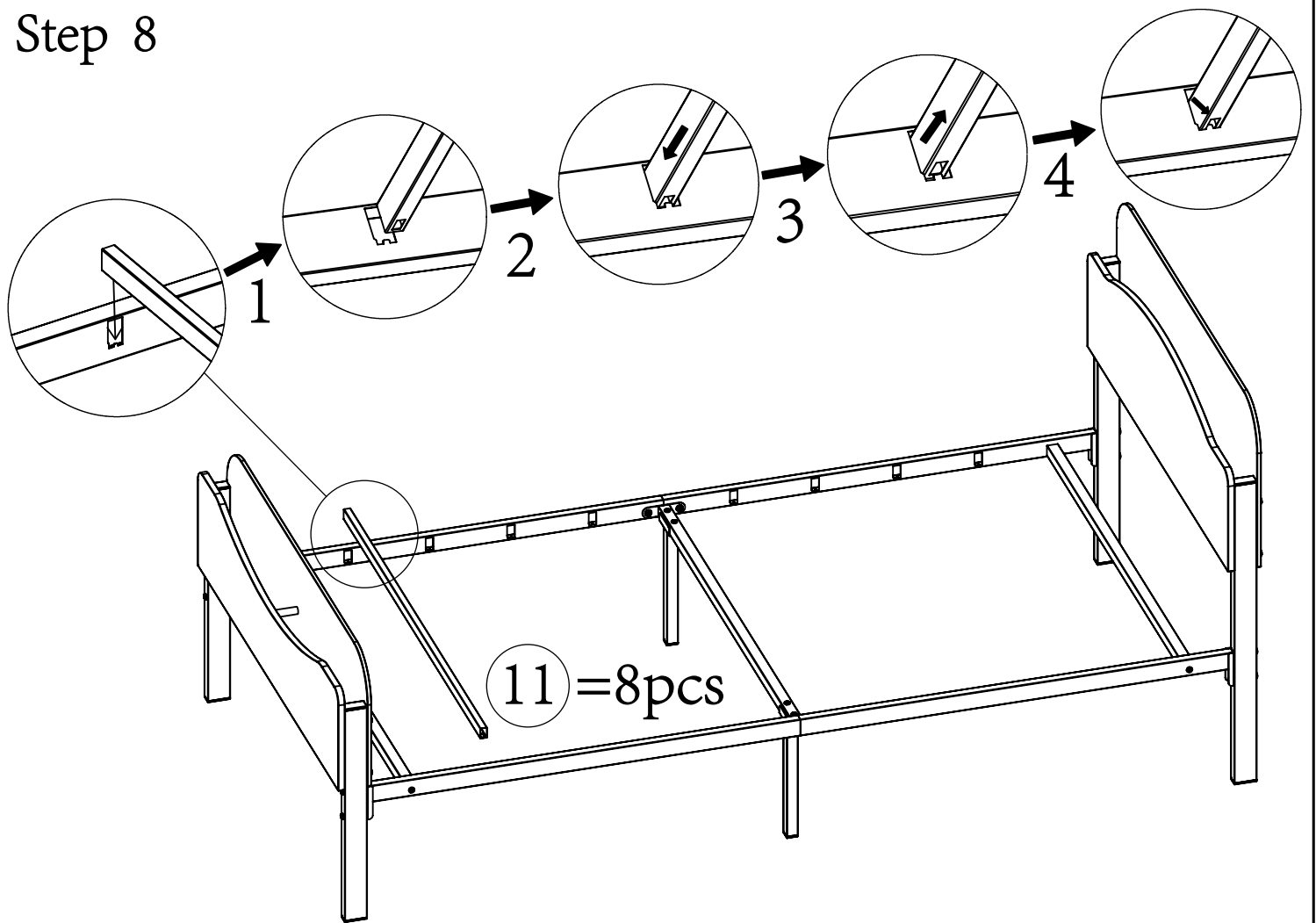
Step 6



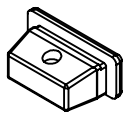
Step 7



Step 8



Step 9



L=16PCS

