



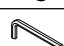
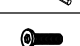
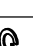
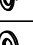
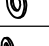

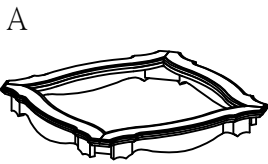
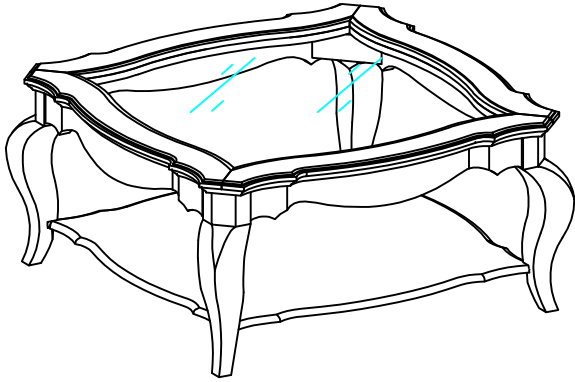


# ASSEMBLY INSTRUCTIONS

Thank you for purchasing this quality product. Be sure to check all packing materials carefully for small parts, which may have come loose inside the carton during shipment. Identify and count all parts and compare with the parts list below.

## Hardware List

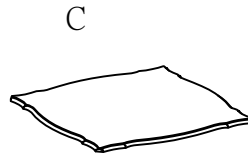
①		"L"* $\phi$ 5/16"	1 pc
②		Bolt $\phi$ 5/16"*2-1/2"	8 pcs
③		Spring washer $\phi$ 5/16"	8 pcs
④		Flat Washer $\phi$ 5/16"*22	8 pcs
⑤		"L"* $\phi$ 1/4"	1 pc
⑥		Bolt $\phi$ 1/4"*3/4"	8 pcs
⑦		Spring washer $\phi$ 1/4"	8 pcs
⑧		Flat Washer $\phi$ 1/4"*16	8 pcs
⑨		"L" Connect part 1-1/4"*3/4"	4 pcs
⑩		Cover	4 pcs



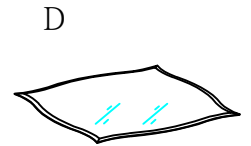
1 pc Top plate



4 pcs Legs

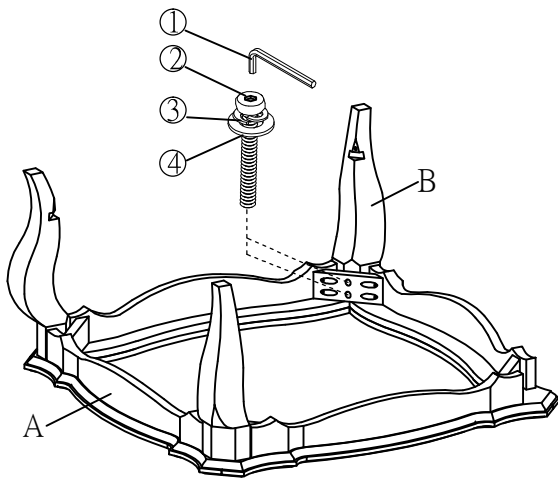


1 pc Bottom plate

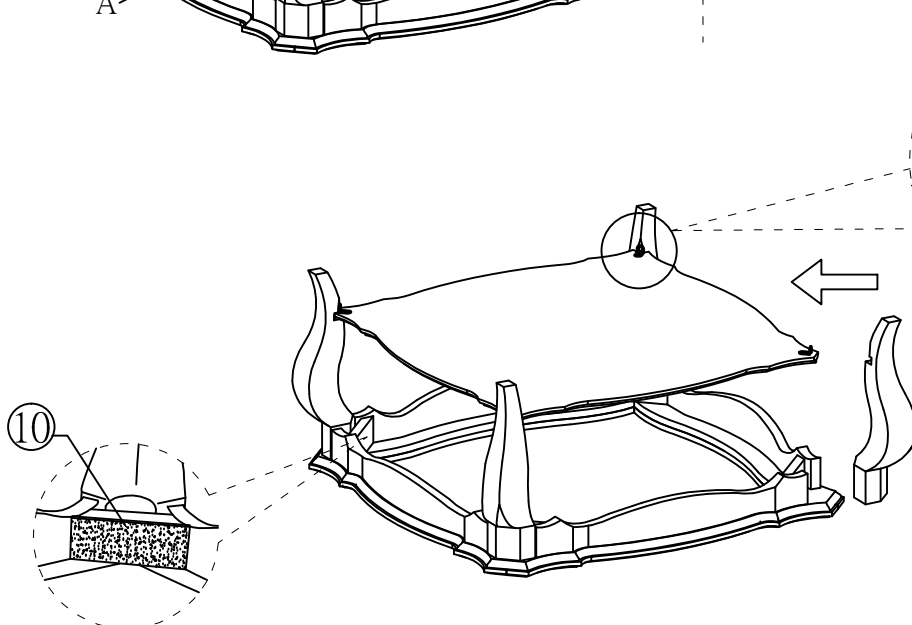
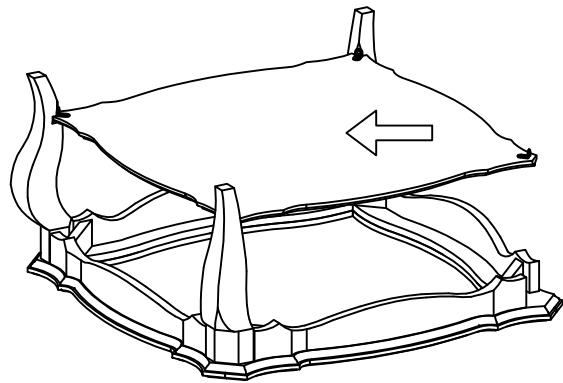


1 pc Glass

Step 1: Assembled the three legs with wrench.



Step 2: Install the "L" connect part on the bottom plate.



Step 3: Assembled the fourth leg, then please put the Cover in the form corners there ;

## CLEANING INSTRUCTIONS

Clean the surface with a furniture polish and a soft cloth