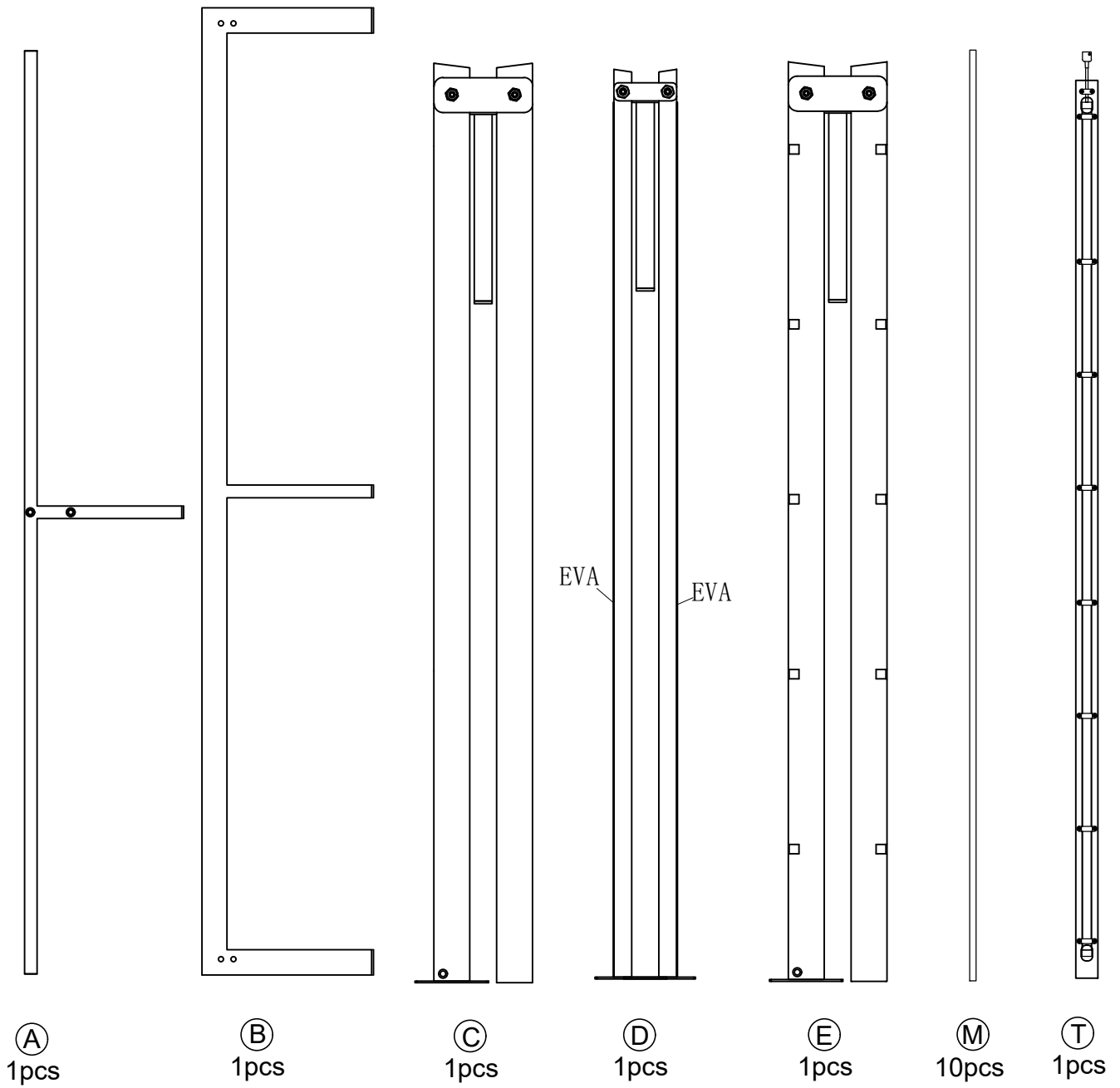


Model: **C398-Q-BK-DG**

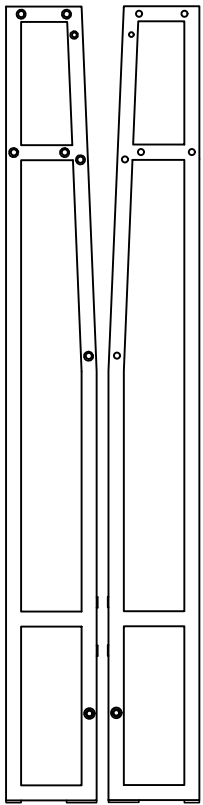
Please Scan the QR code to watch the tutorial video
<https://www.youtube.com/@furnishglow/videos>



Parts List:

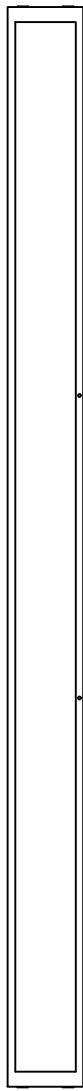


Parts List:

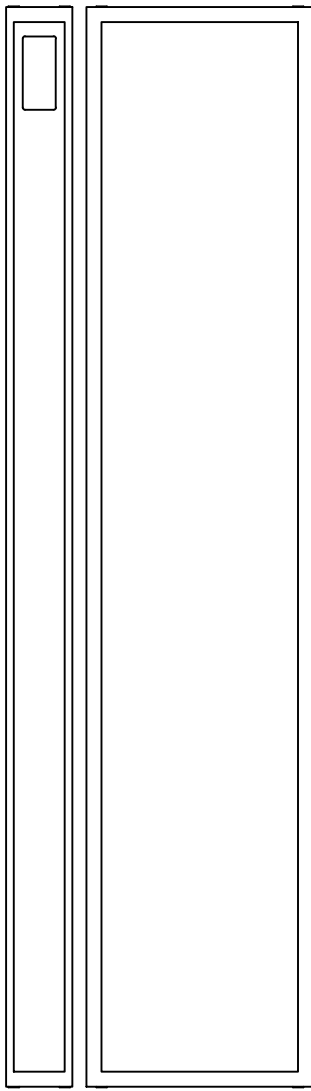


Ⓝ
1pcs

Ⓞ
1pcs

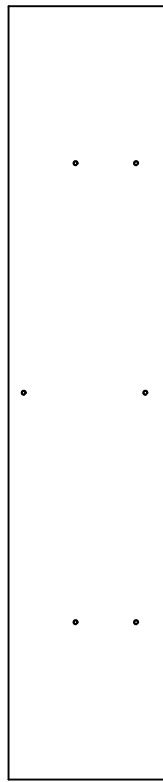


Ⓟ
1pcs



Ⓠ
1pcs

Ⓡ
1pcs



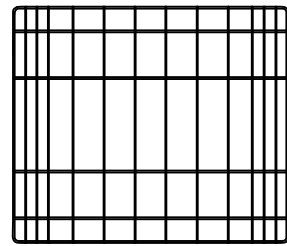
Ⓢ
2pcs



Ⓣ
4pcs



Ⓤ
2pcs



Ⓡ
2pcs

Parts List:



M6x10mm

(O1)

10pcs



M6x10mm

(P1)

2pcs



M4x10mm

(A1)

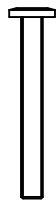
3pcs



M8x15mm

(B1)

12pcs



M6x50mm

(G1)

2pcs



M4x30mm

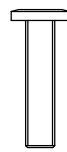
(H1)

2pcs



(V)

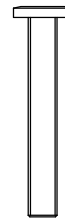
1pcs



M8x35mm

(D1)

4pcs



M8x50mm

(E1)

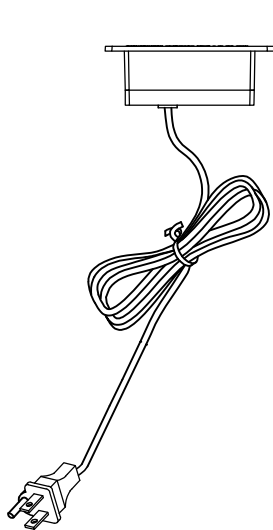
12pcs



M6x35mm

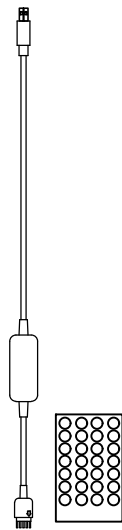
(F1)

2pcs



(Z)

1pcs



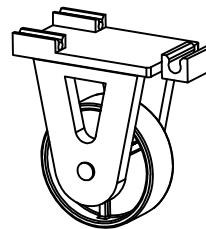
(W)

1pcs



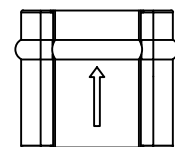
(U)

2pcs



(M1)

8pcs

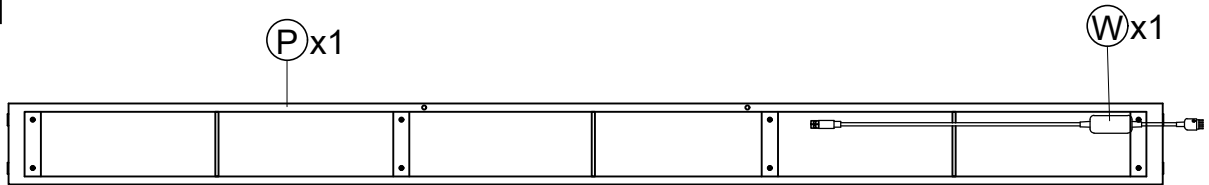


(Q1)

20pcs

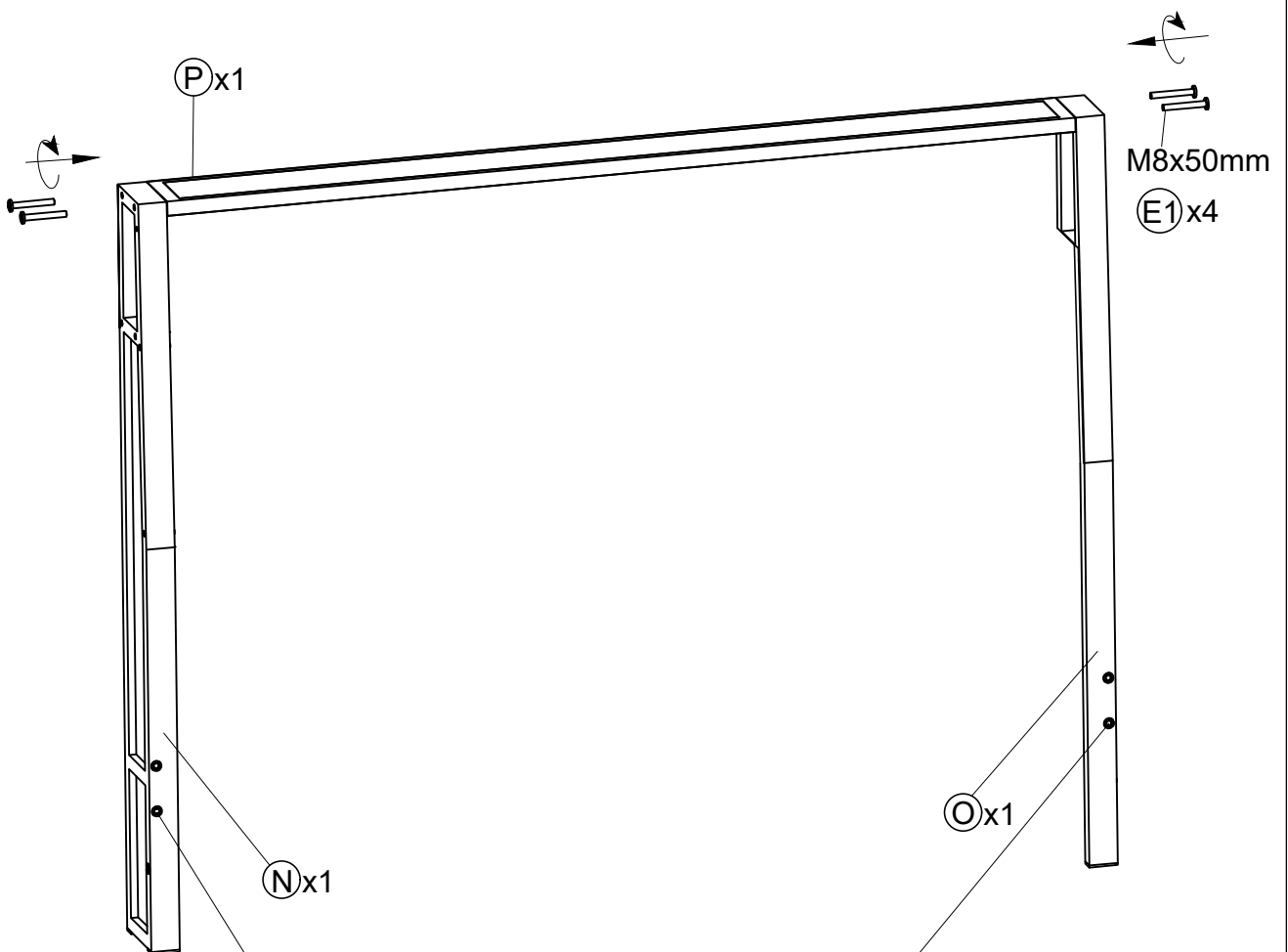
STEP 1

1.1



Tear off the double-sided adhesive tape of the "W" and then stick it to "P"

1.2



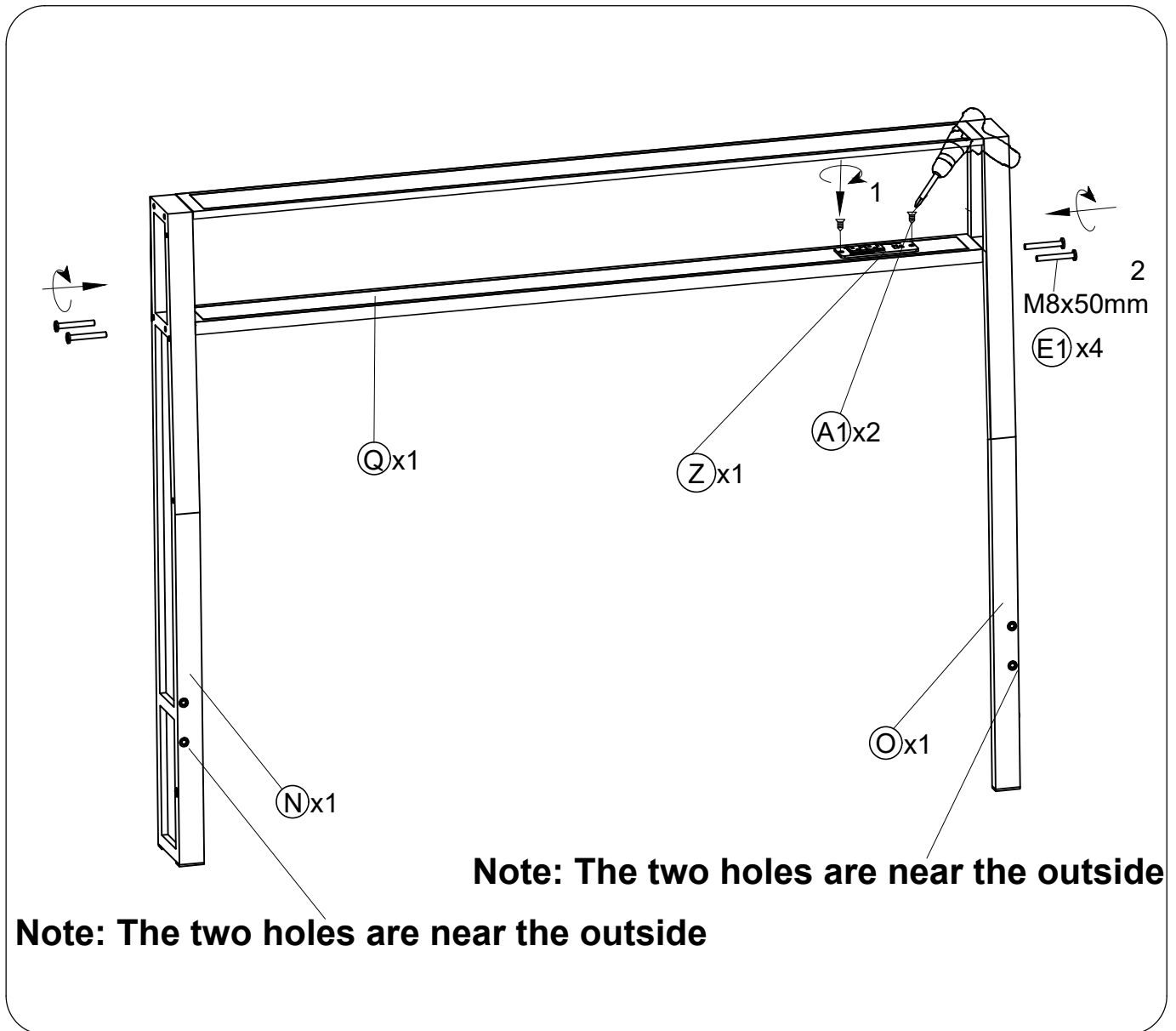
Note: The two holes are near the outside

Note: The two holes are near the outside

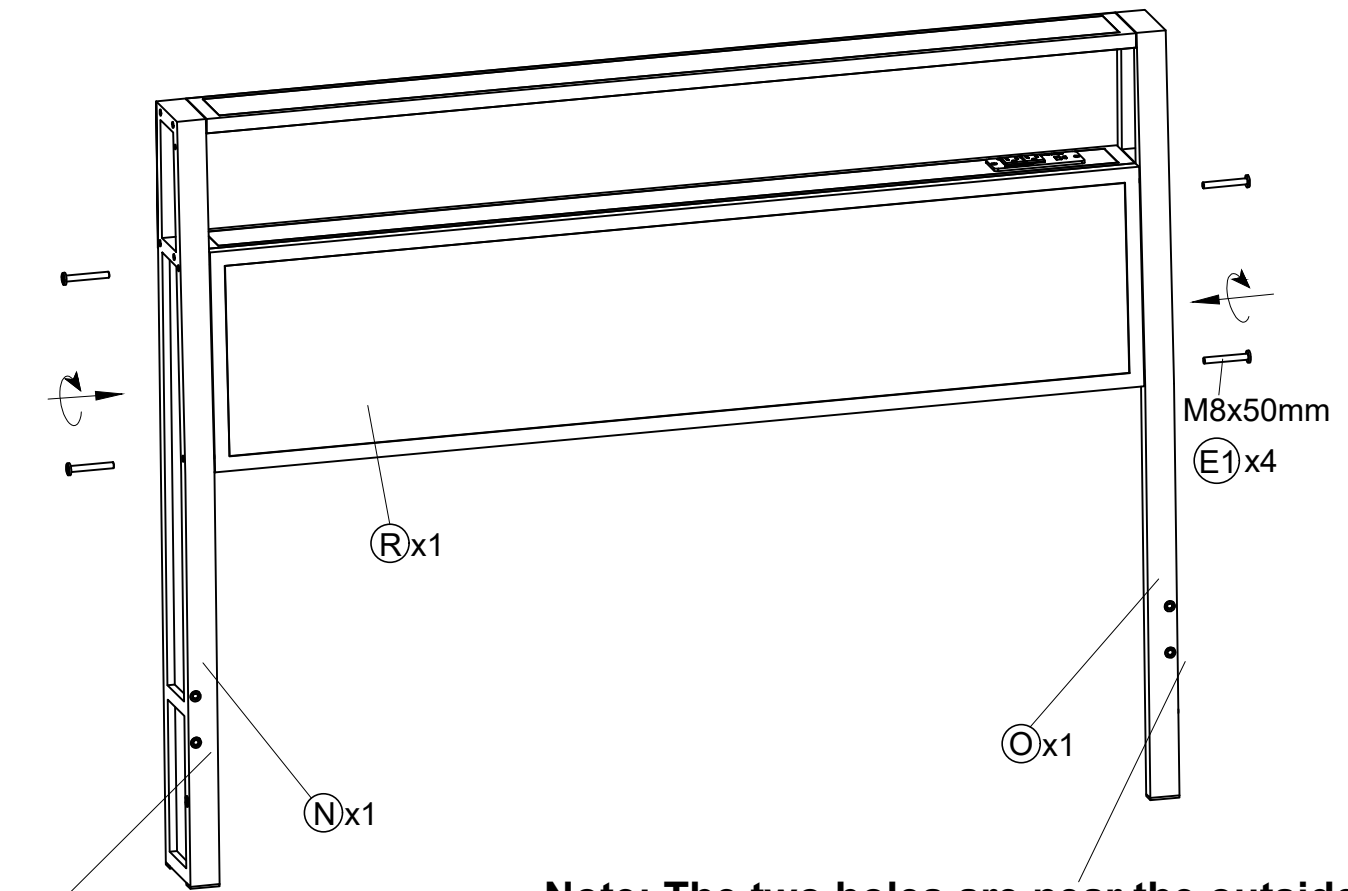
STEP 2

We suggest using drill machine to install A1 screws

*Note: no holes on the board is normal



STEP 3

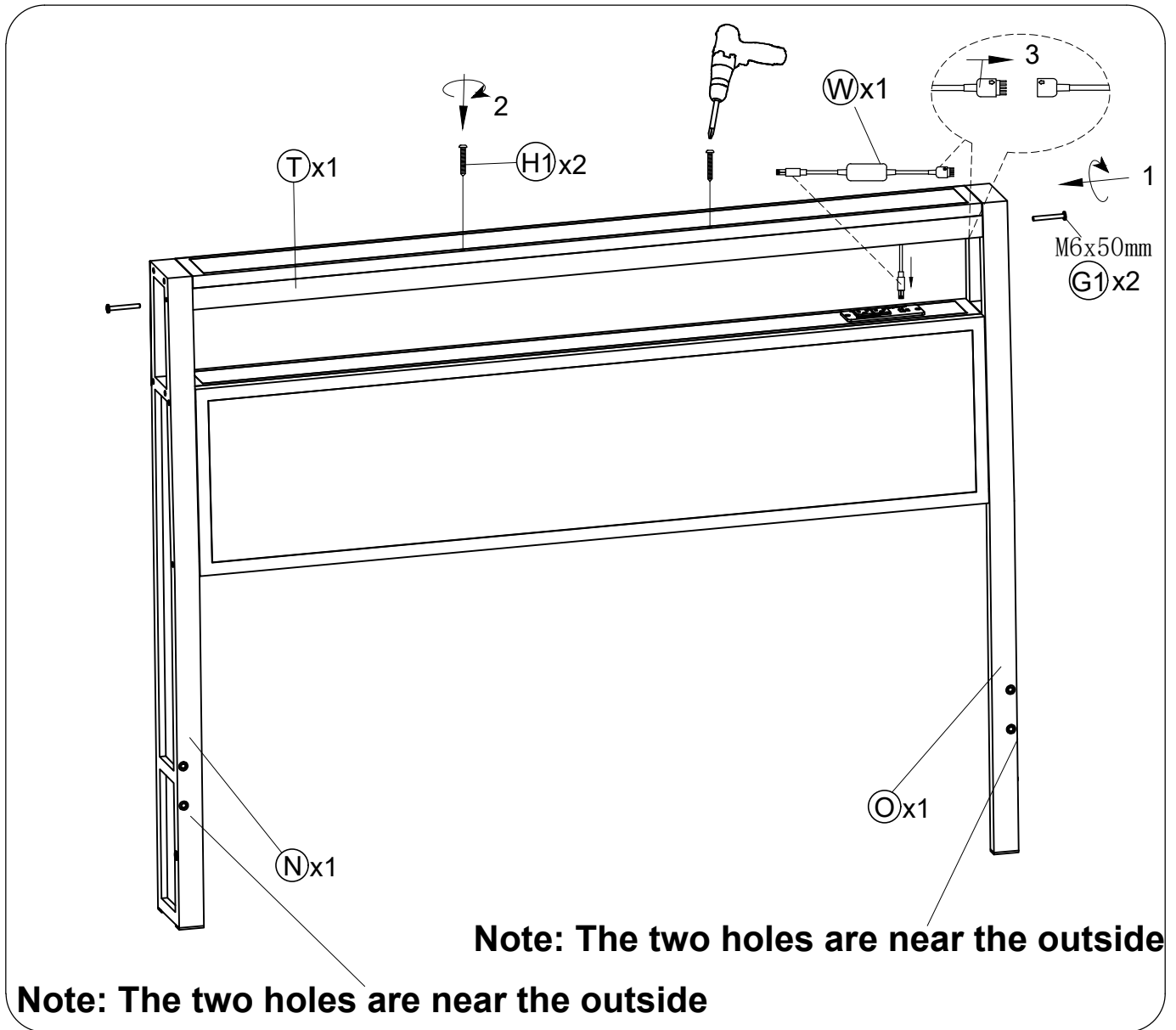


Note: The two holes are near the outside

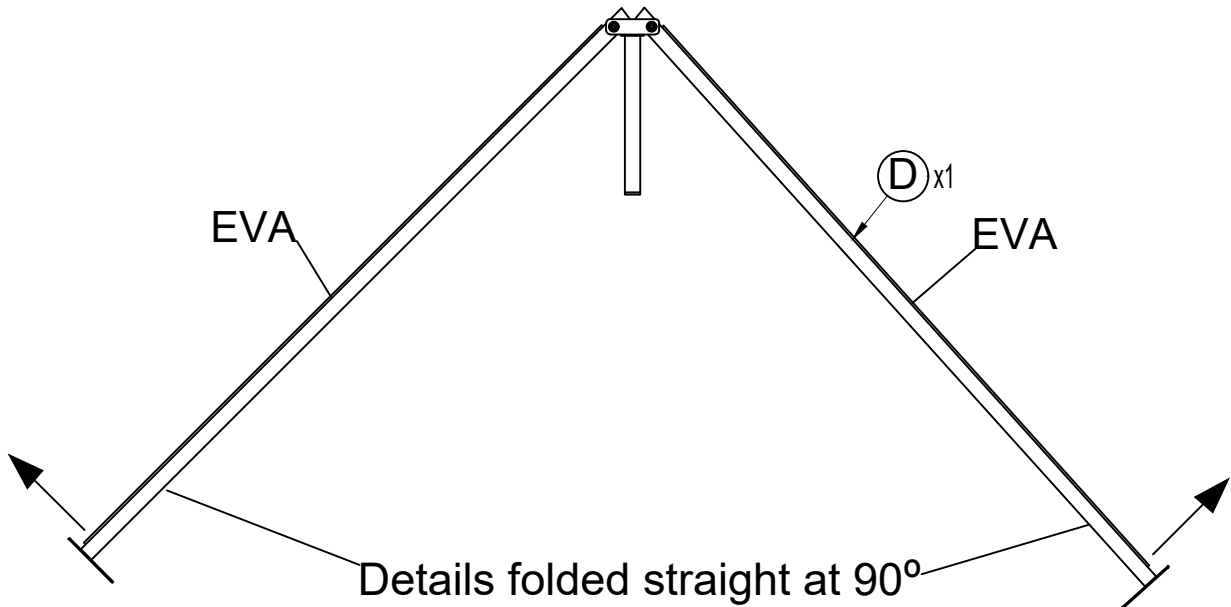
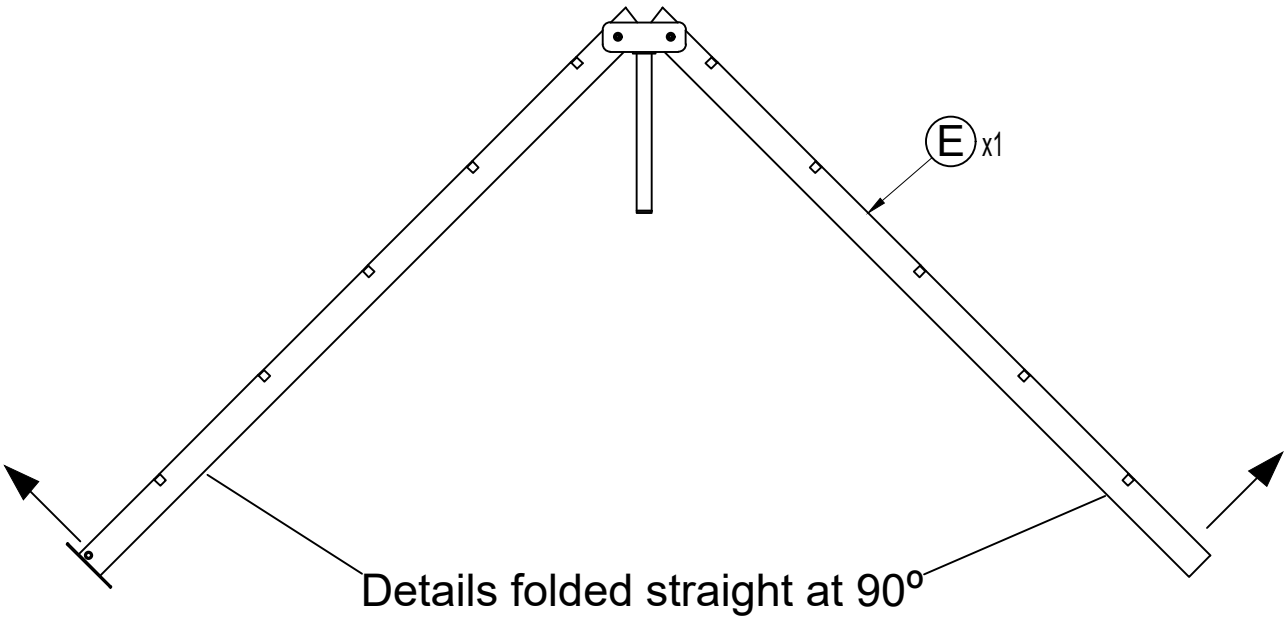
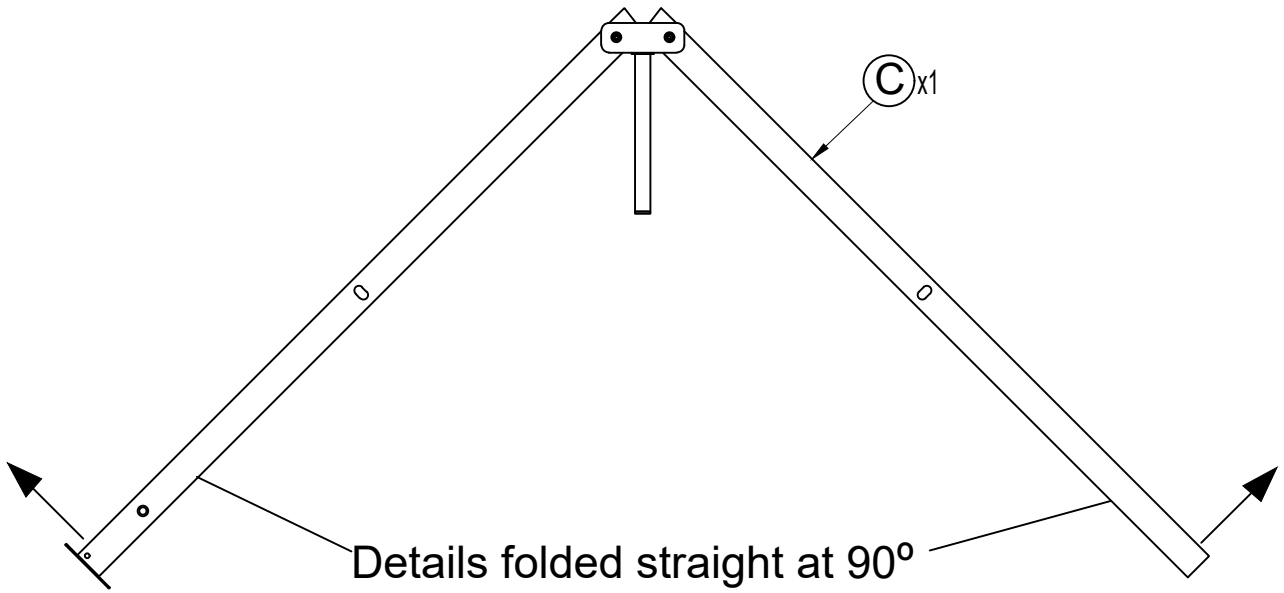
Note: The two holes are near the outside

STEP 4

We suggest using drill machine to install H1 screws

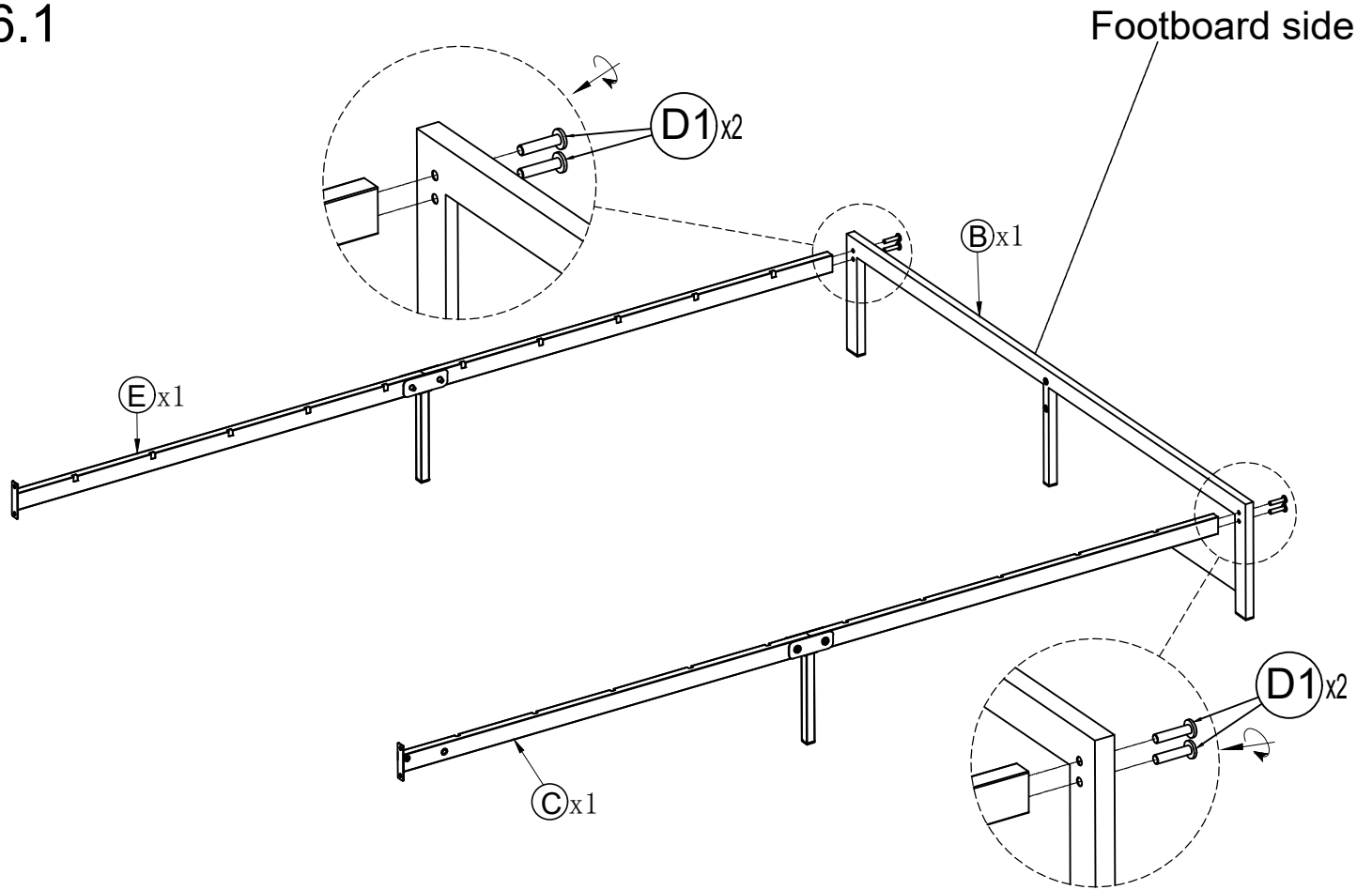


STEP 5

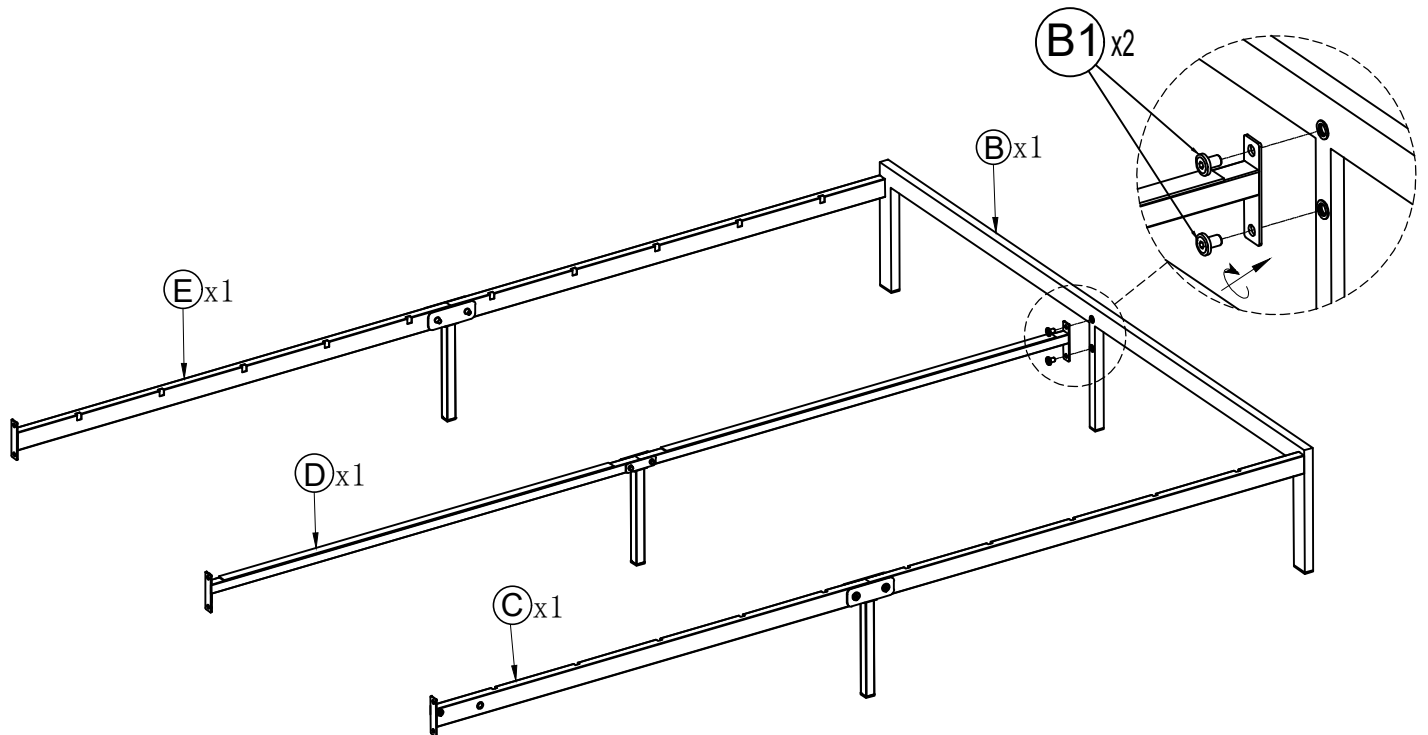


STEP 6

6.1

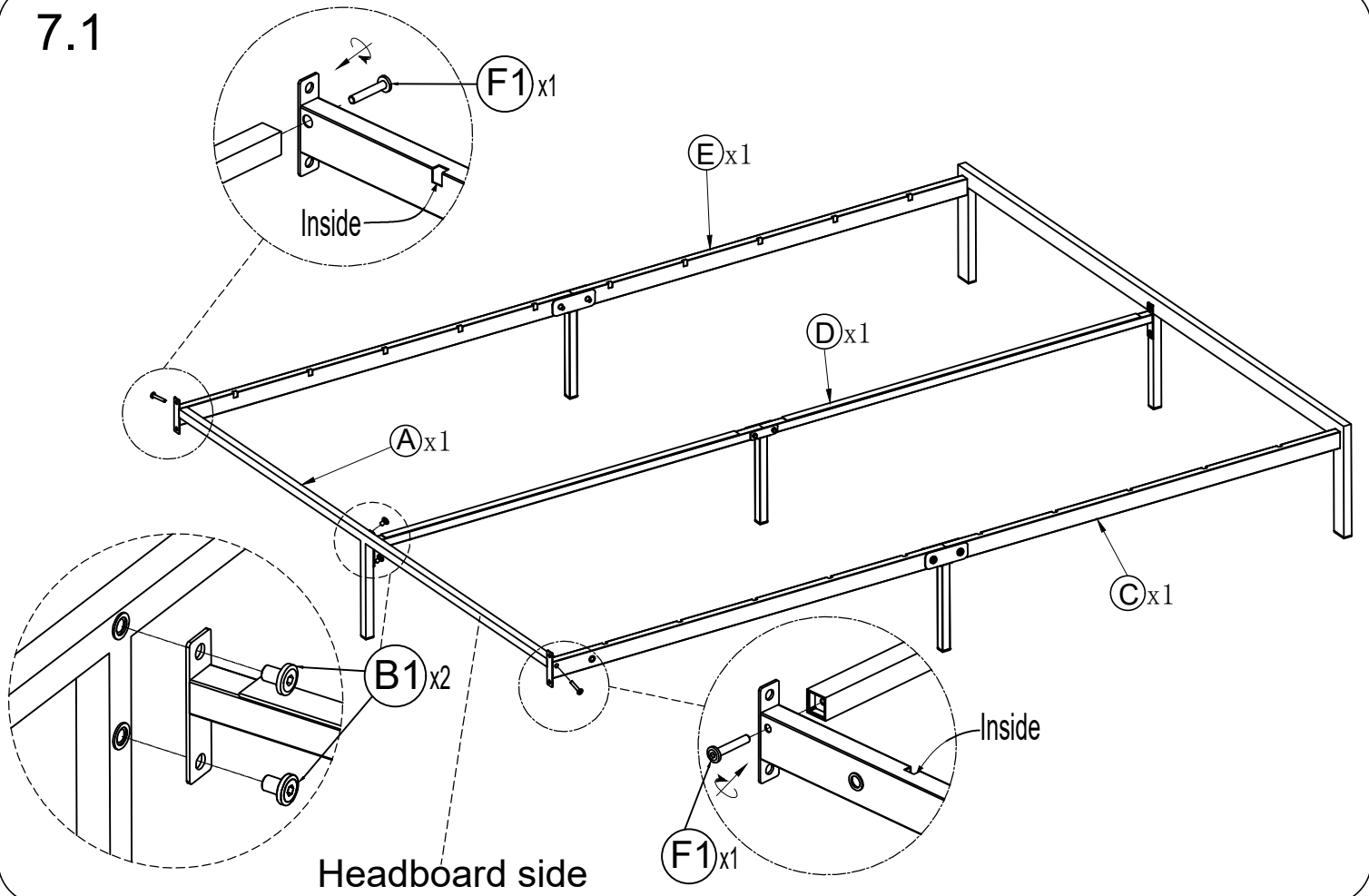


6.2

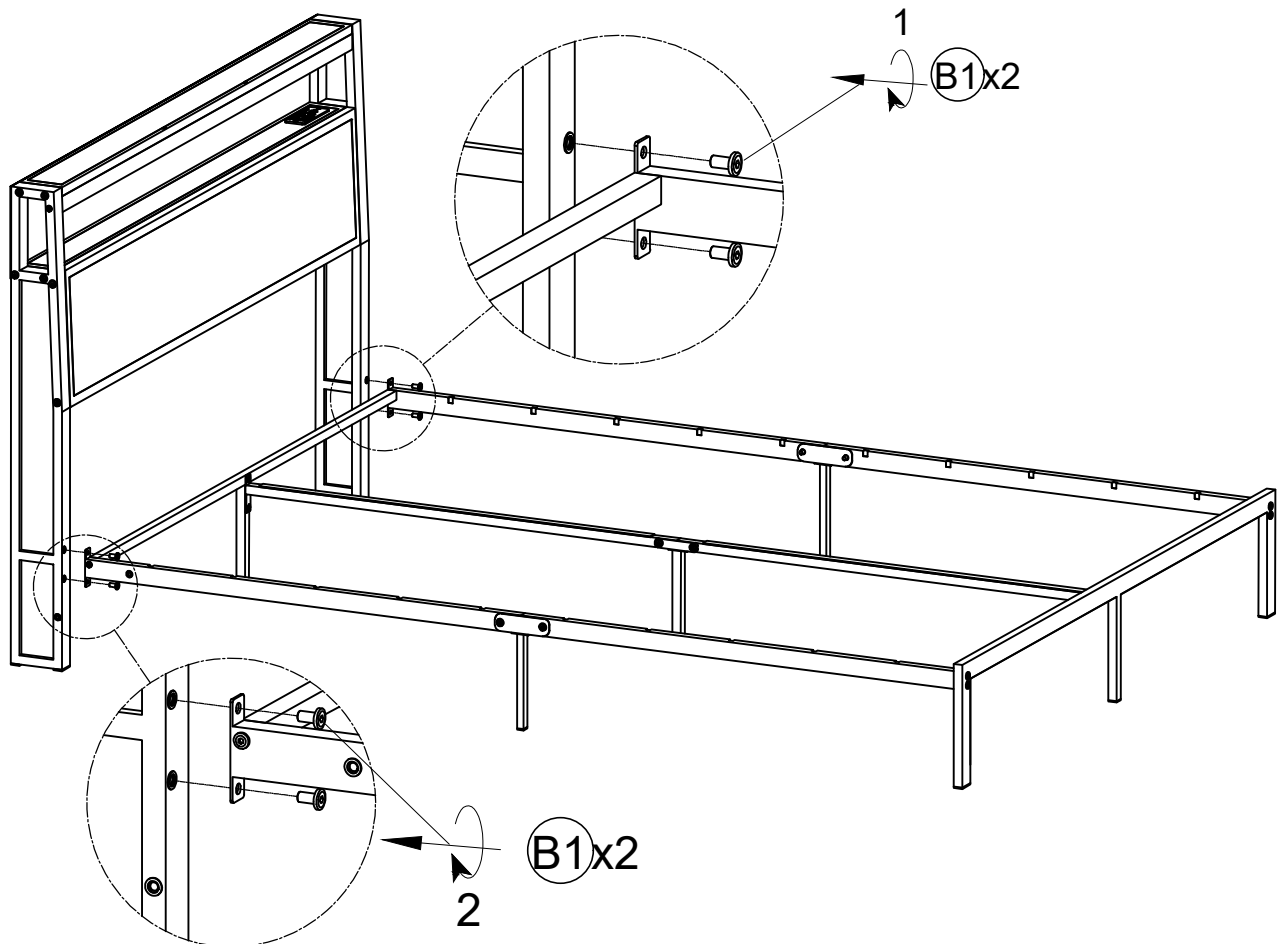


STEP 7

7.1

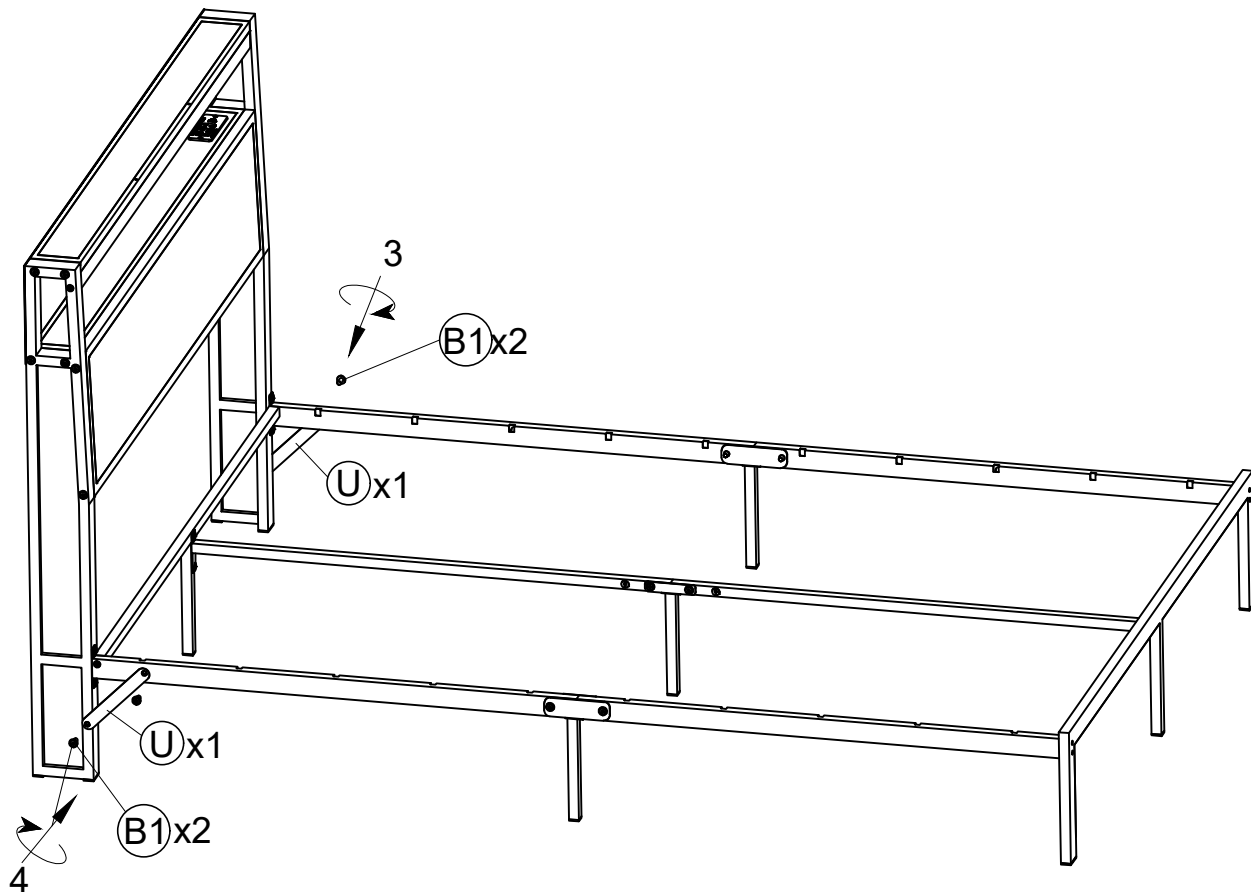


7.2

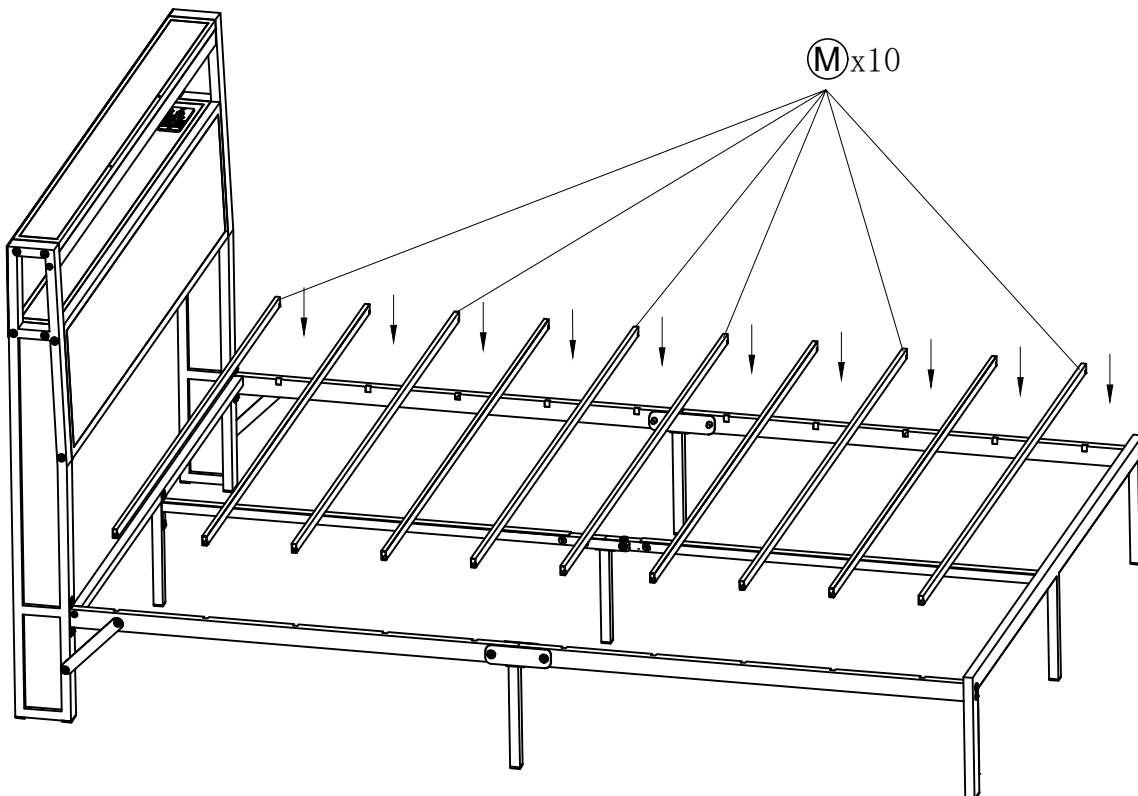


STEP 8

8.1

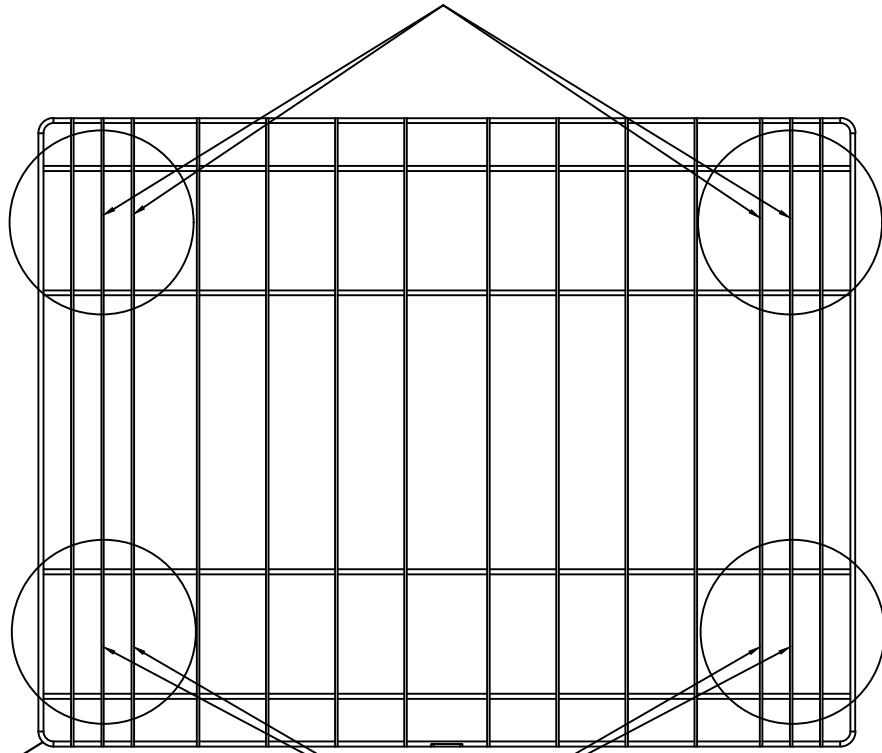


8.2



STEP 9

Wheel mounting position



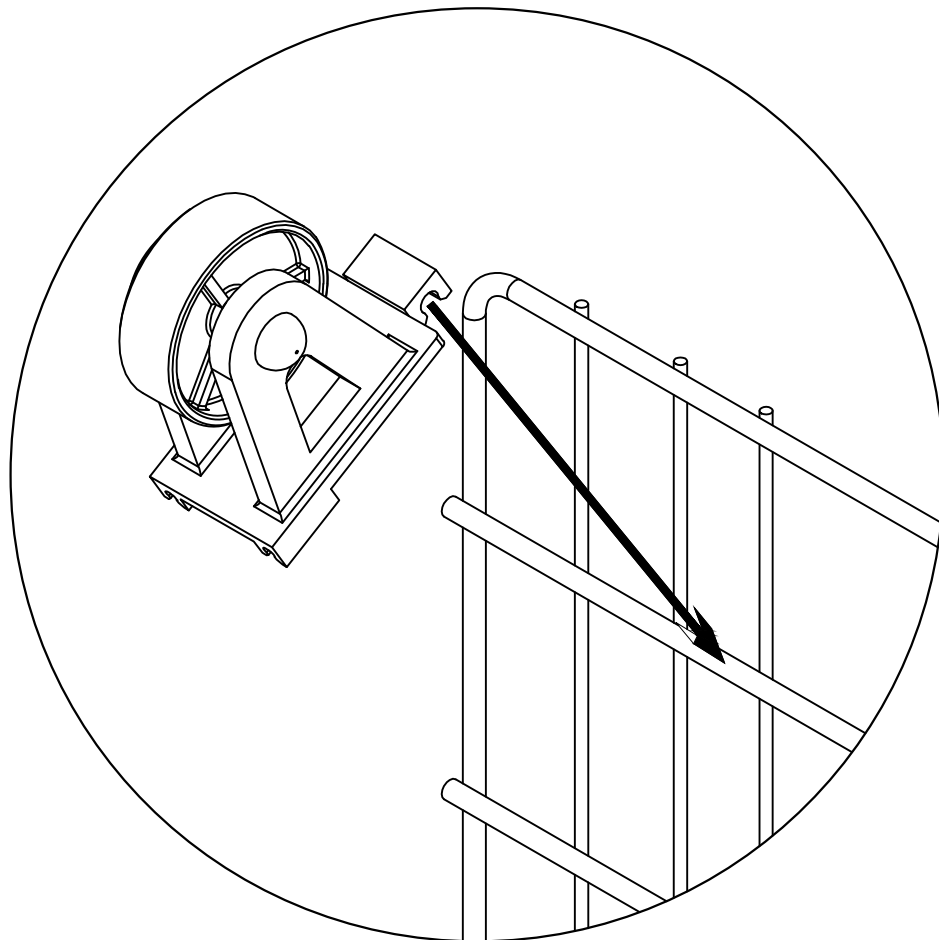
L1

Wheel mounting position

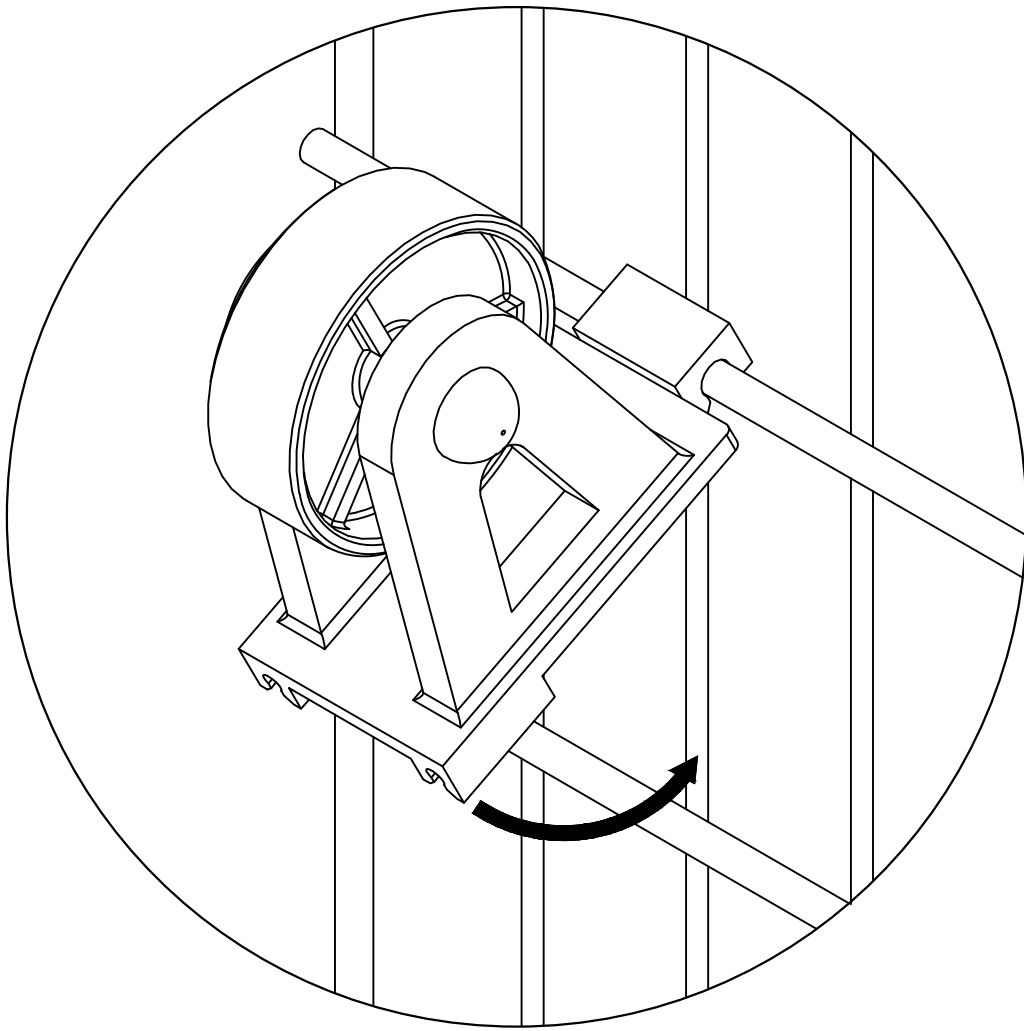
2pcs

STEP 10

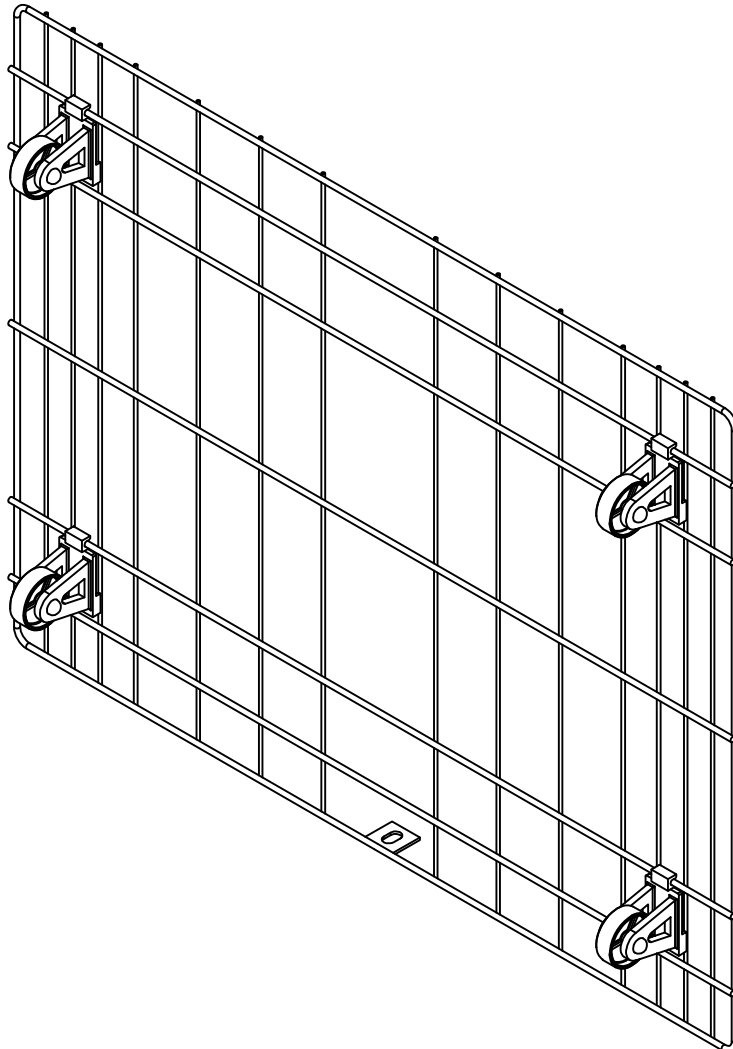
Dock in



STEP 11



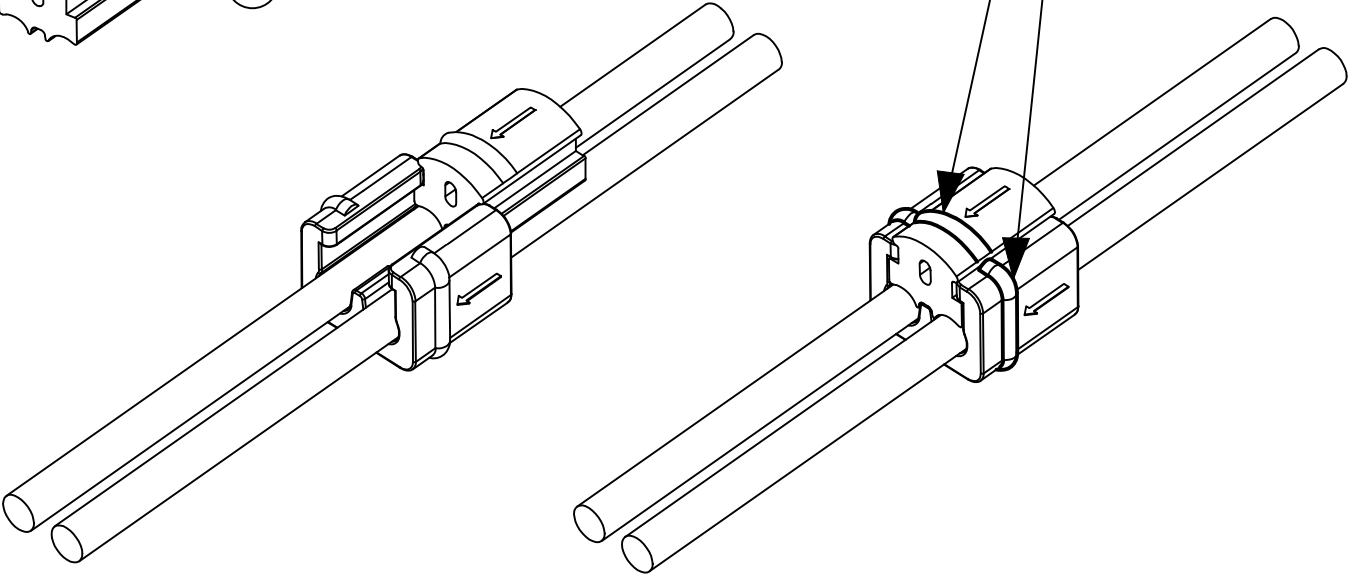
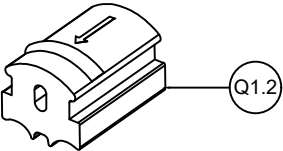
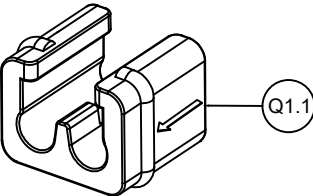
M1	16pcs
----	-------



x2

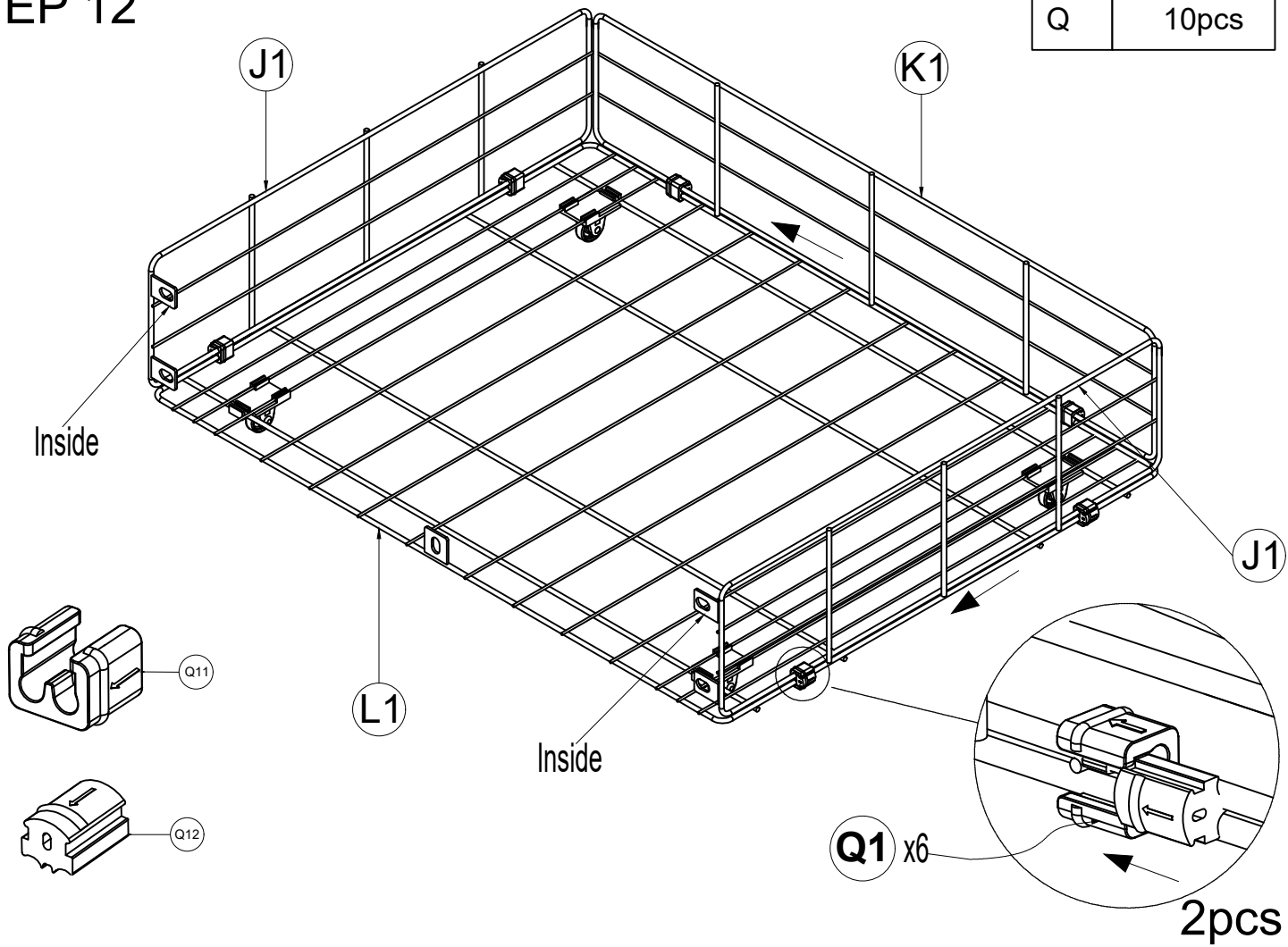
Detailed assembly instructions Q1

these two lines
on Q1.1 and
Q1.2 need to
be matched

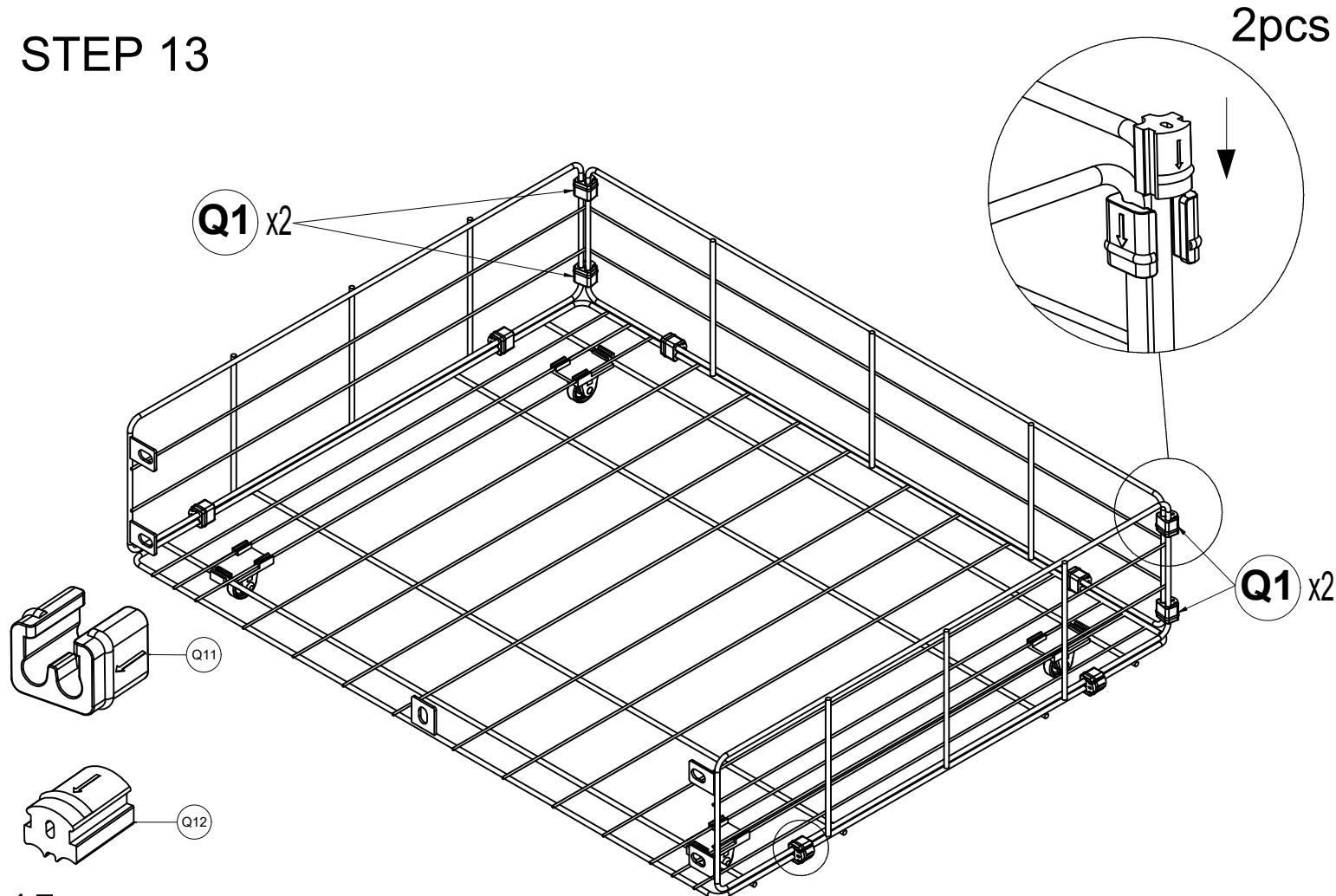


STEP 12

Q	10pcs
---	-------

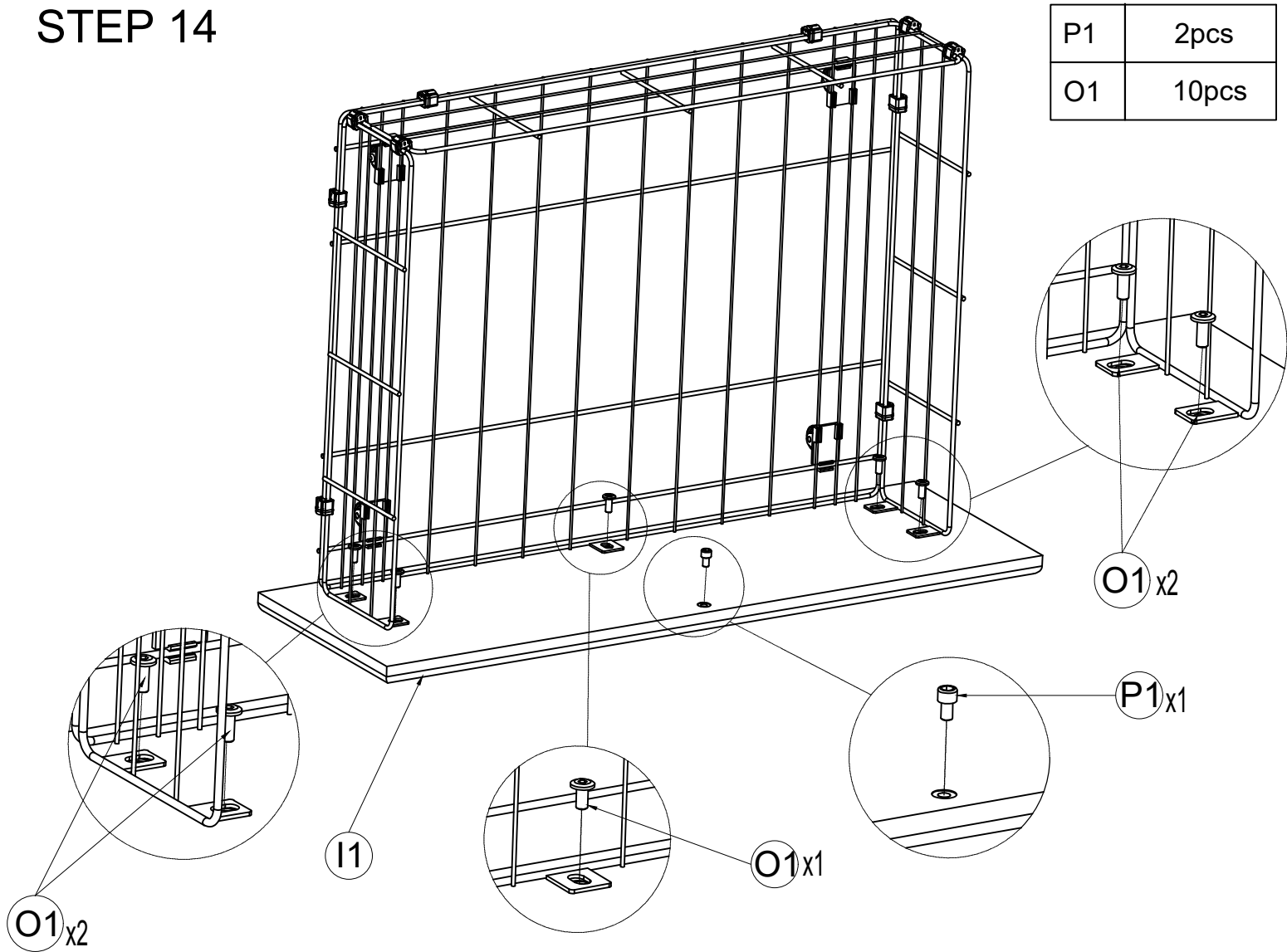


STEP 13

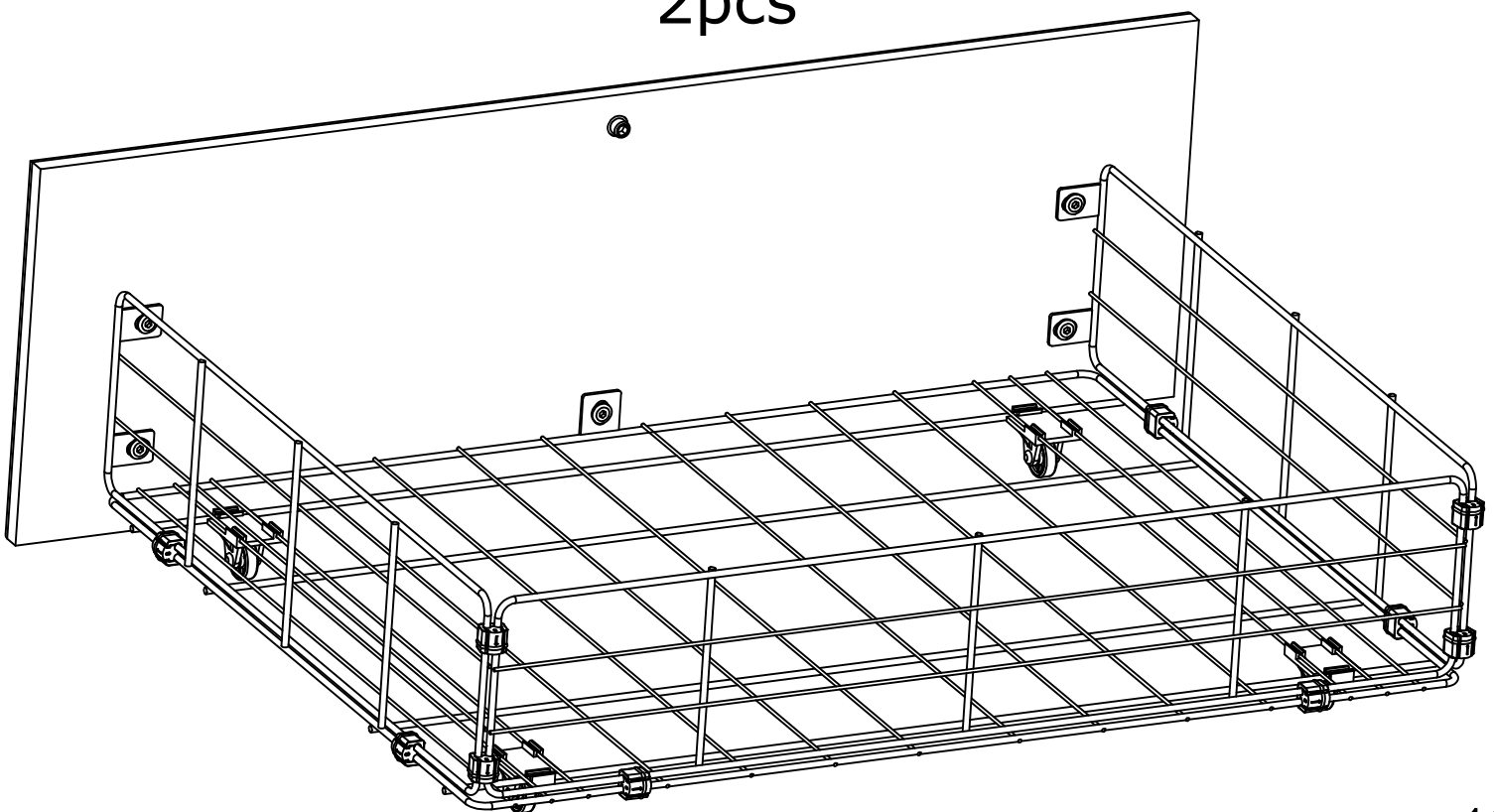


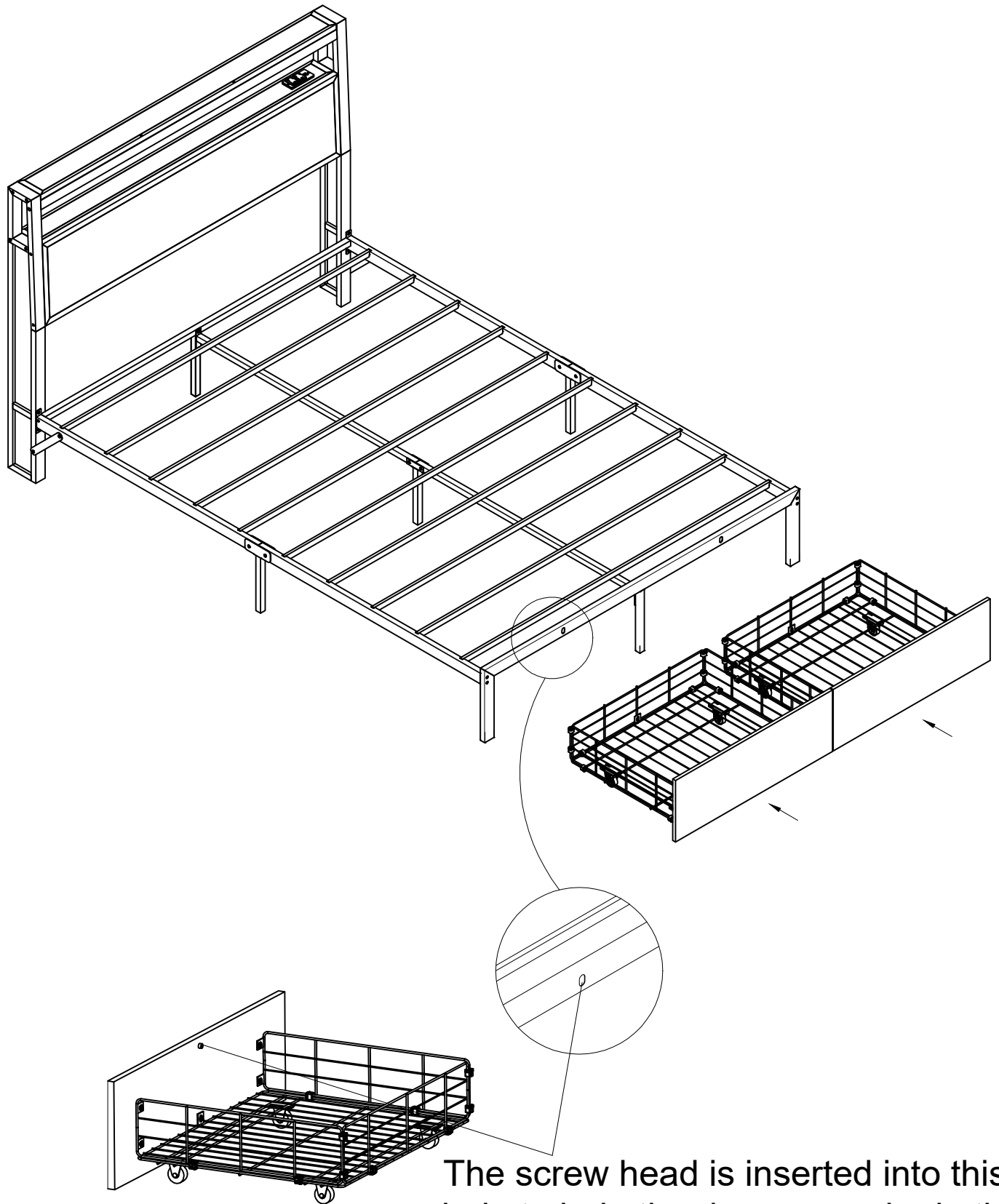
STEP 14

P1	2pcs
O1	10pcs



2pcs





The screw head is inserted into this hole to help the drawer can be in the fixed position.