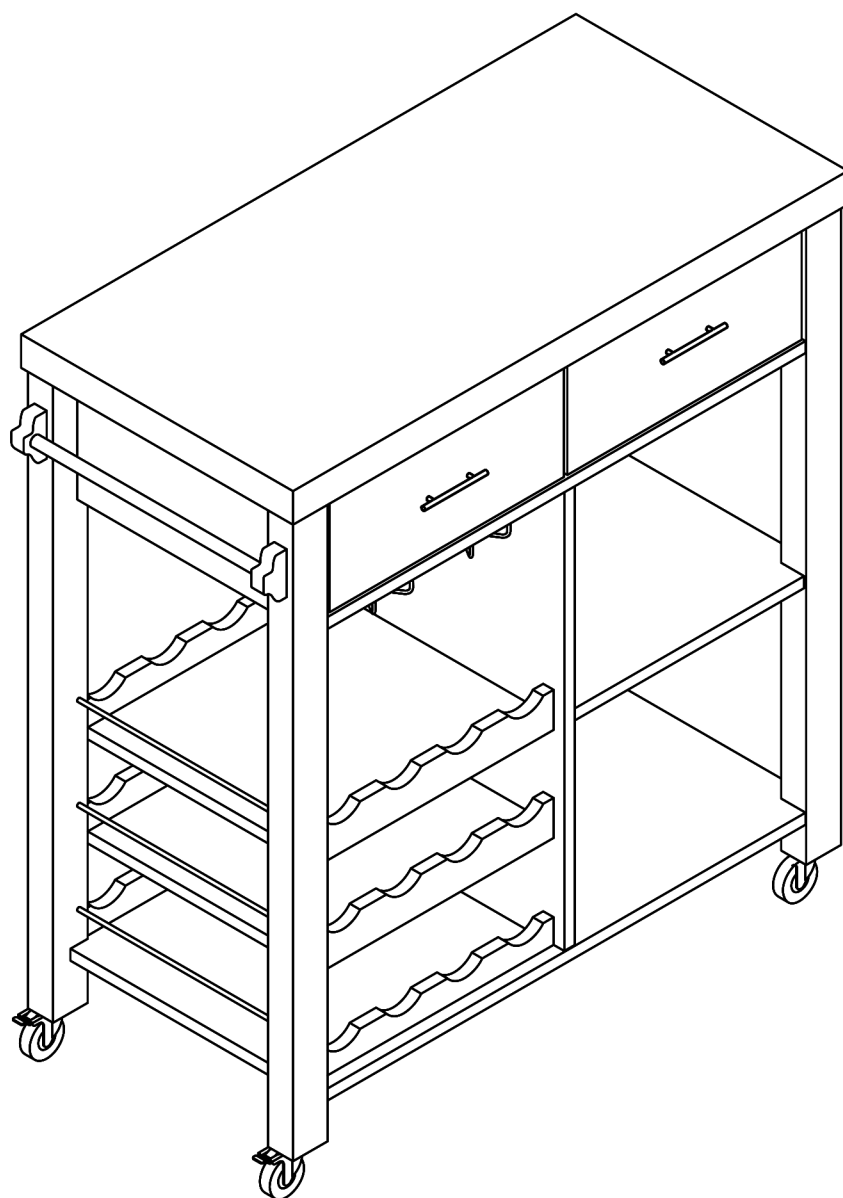
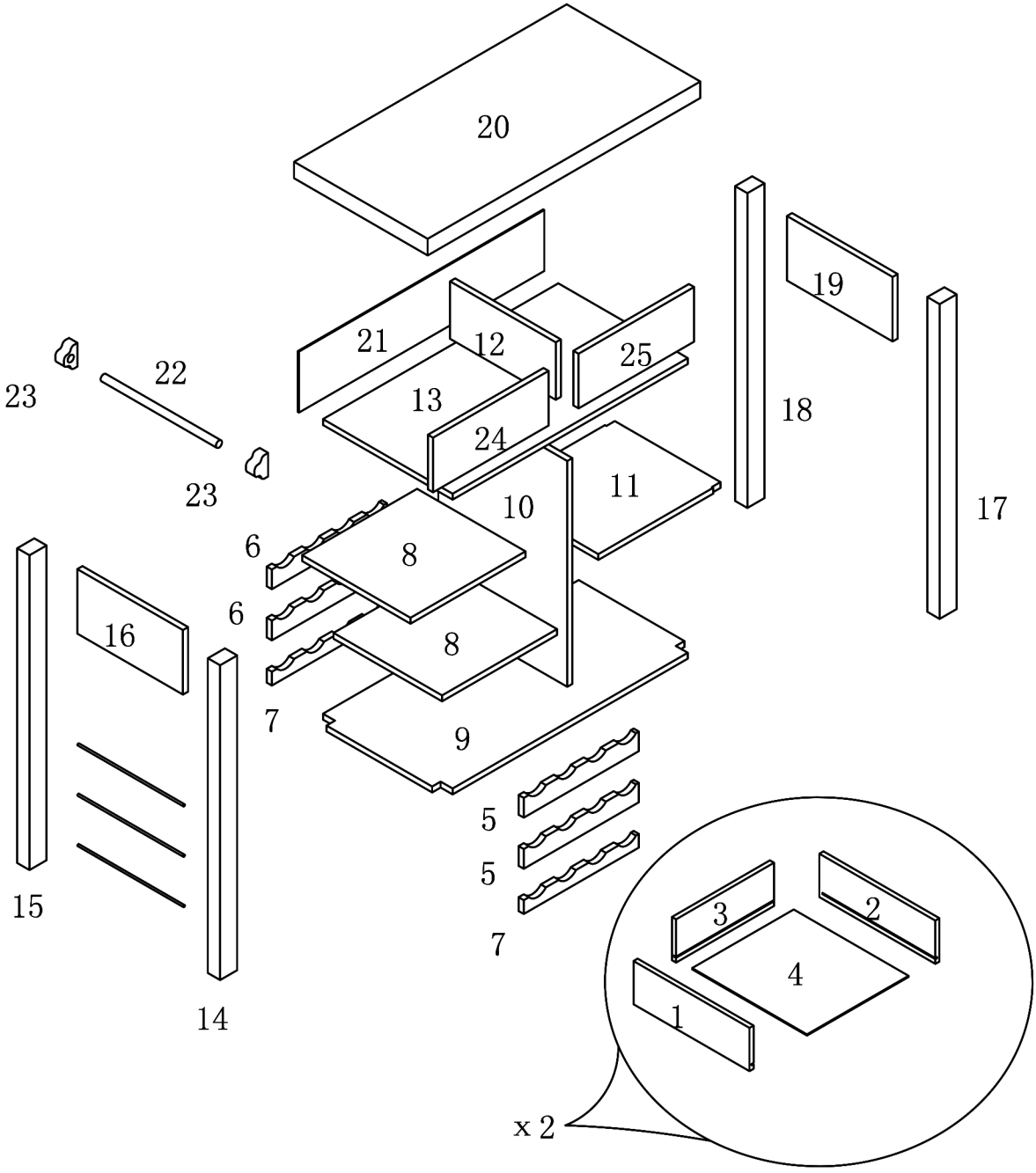


ASSEMBLY INSTRUCTION

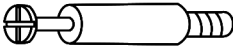


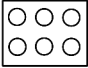
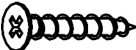
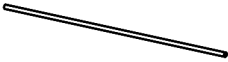
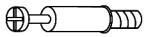



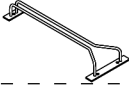





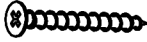





PARTS IDENTIFICATION

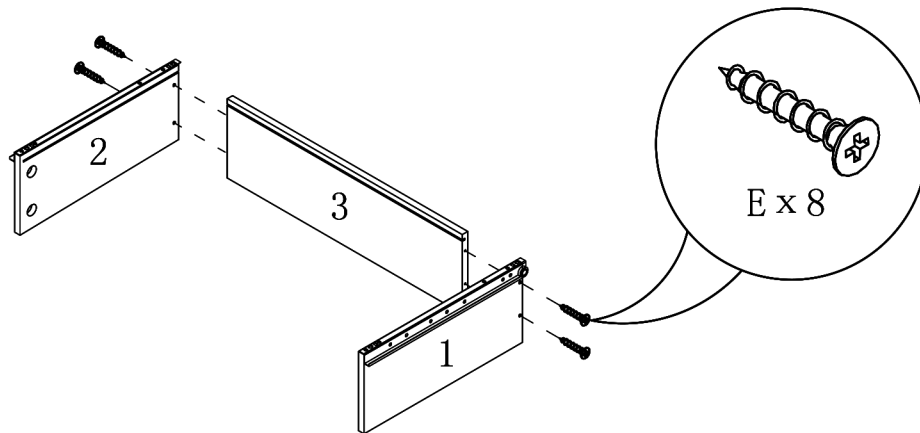


(1)	2pcs	(8)	2pcs	(15)	1pc	(22)	1pc
(2)	2pcs	(9)	1pc	(16)	1pc	(23)	2pcs
(3)	2pcs	(10)	1pc	(17)	1pc	(24)	1pc
(4)	2pcs	(11)	1pc	(18)	1pc	(25)	1pc
(5)	2pcs	(12)	1pc	(19)	1pc		
(6)	2pcs	(13)	1pc	(20)	1pc		
(7)	2pcs	(14)	1pc	(21)	1pc		

HARDWARE IDENTIFICATION

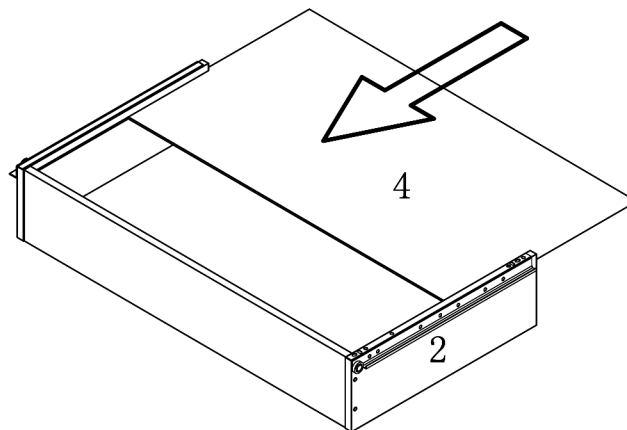
A		L29	40pcs
B		∅15	40pcs
C		∅8×25	29pcs
D		∅18	6pcs
E		∅4×30	10pcs
F		∅5×320	3pcs
G		L20	8pcs
H		∅12	8pcs
I		64MM	2pcs
J		∅ 4x22	4sets
K		L=340	2pcs
L		∅ 4x16	6pcs
M		H=65	2pcs
N		H=65	2pcs
O		M10	1pc
P		∅5	4pcs
Q		∅ 4x40	6pcs
R		∅ 5x9	3pcs
S		∅8×40	9pcs
T		Glue: For securing please apply to wood dowel first before inserting into panel	1pc

ASSEMBLY INSTRUCTION

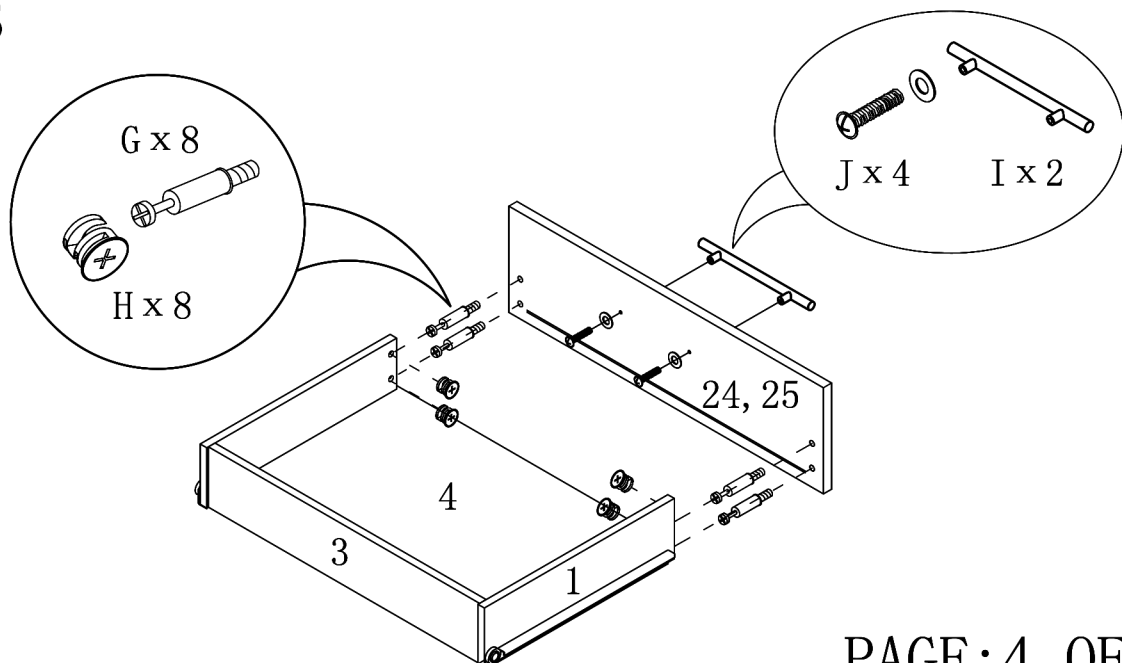


STEP 1

STEP 2

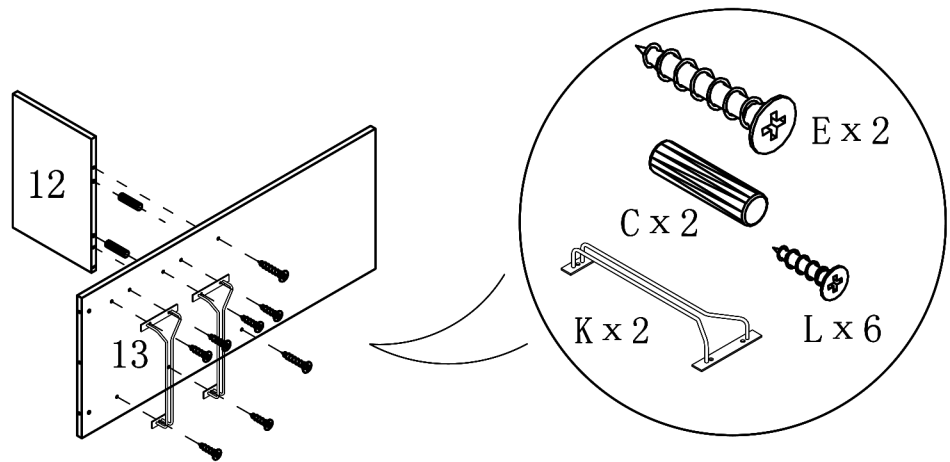


STEP 3

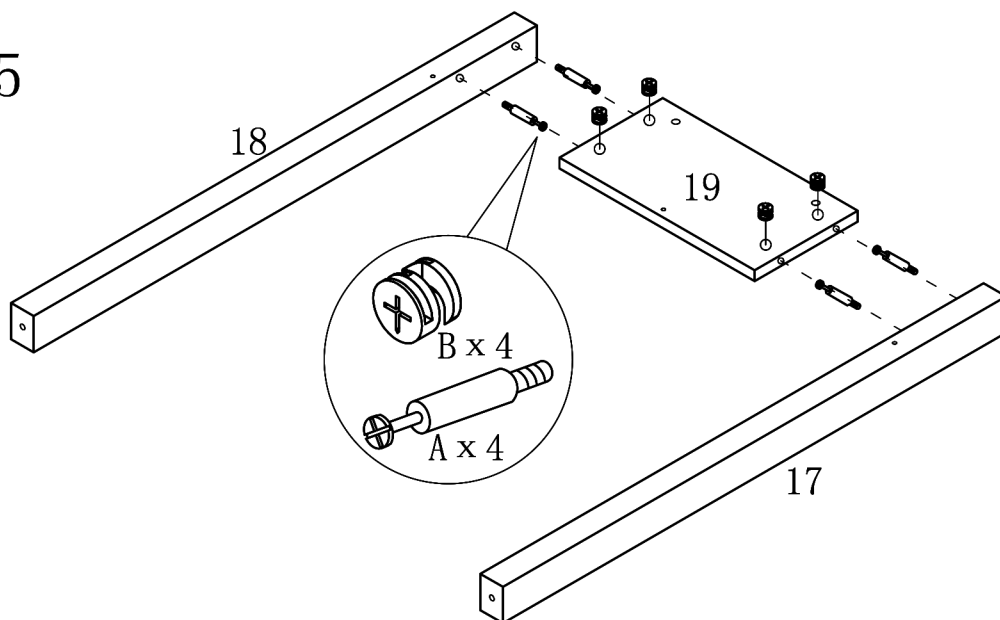


ASSEMBLY INSTRUCTION

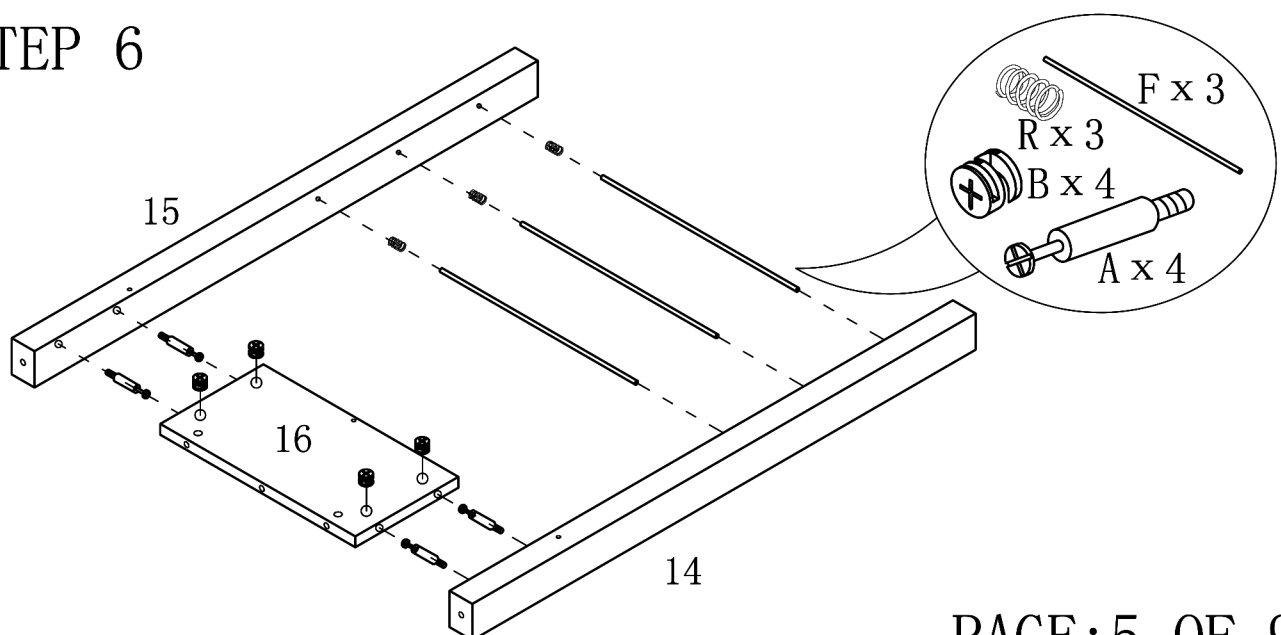
STEP 4



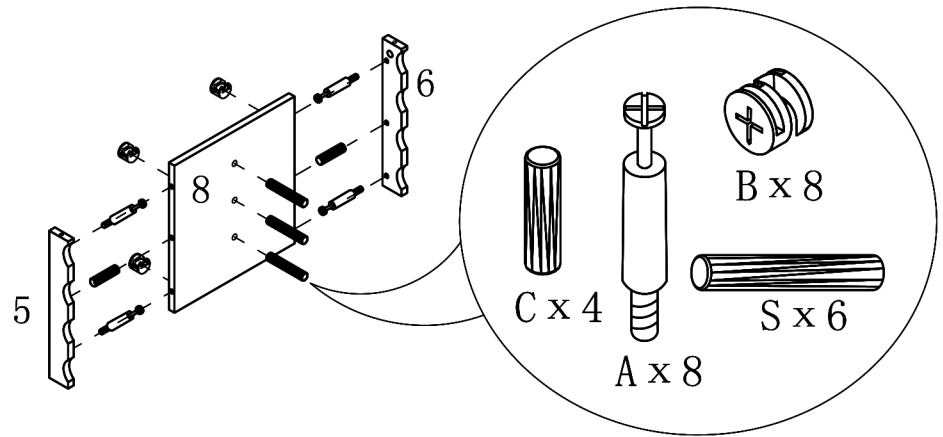
STEP 5



STEP 6

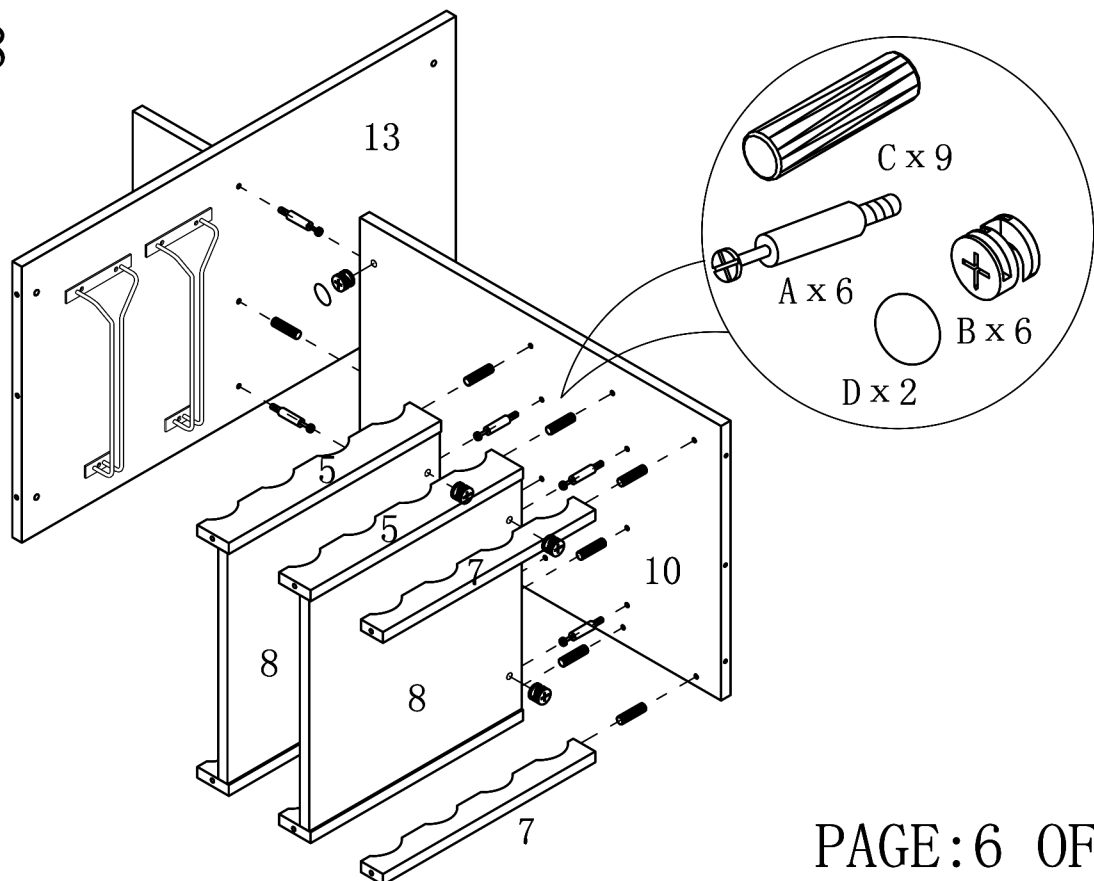


ASSEMBLY INSTRUCTION

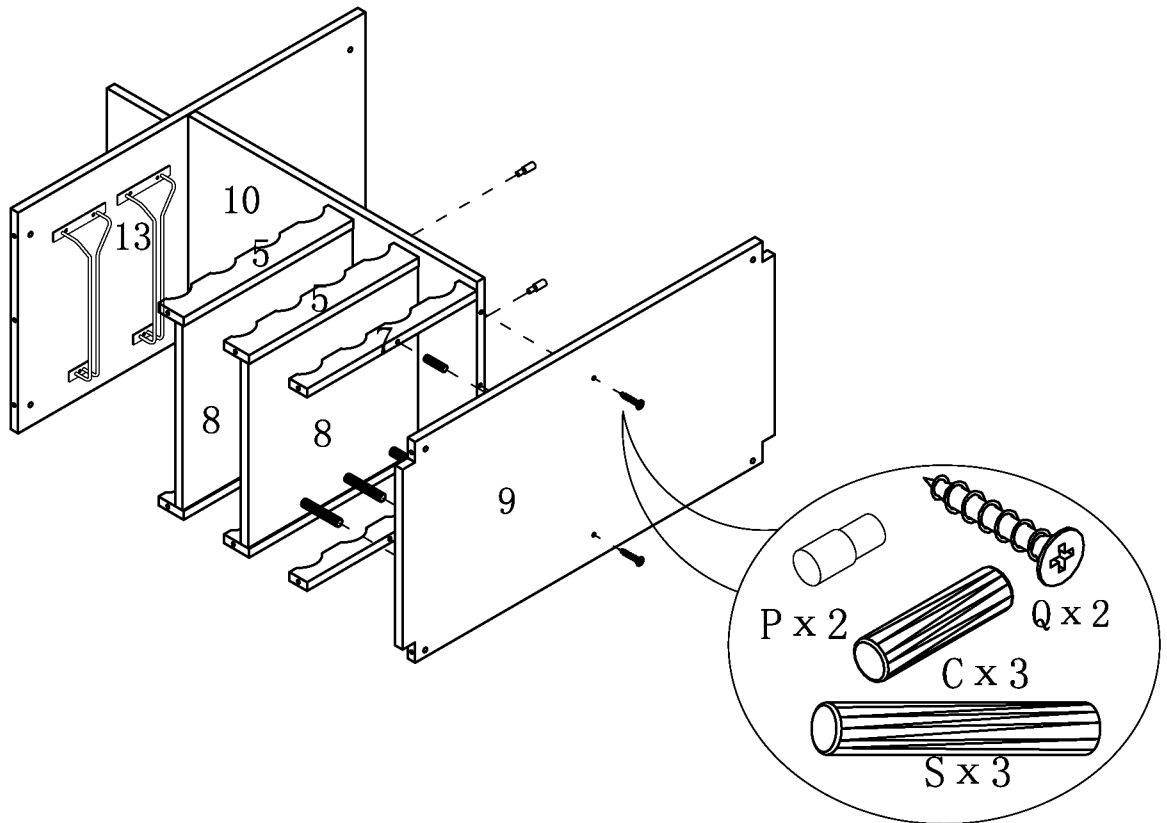


STEP 7

STEP 8

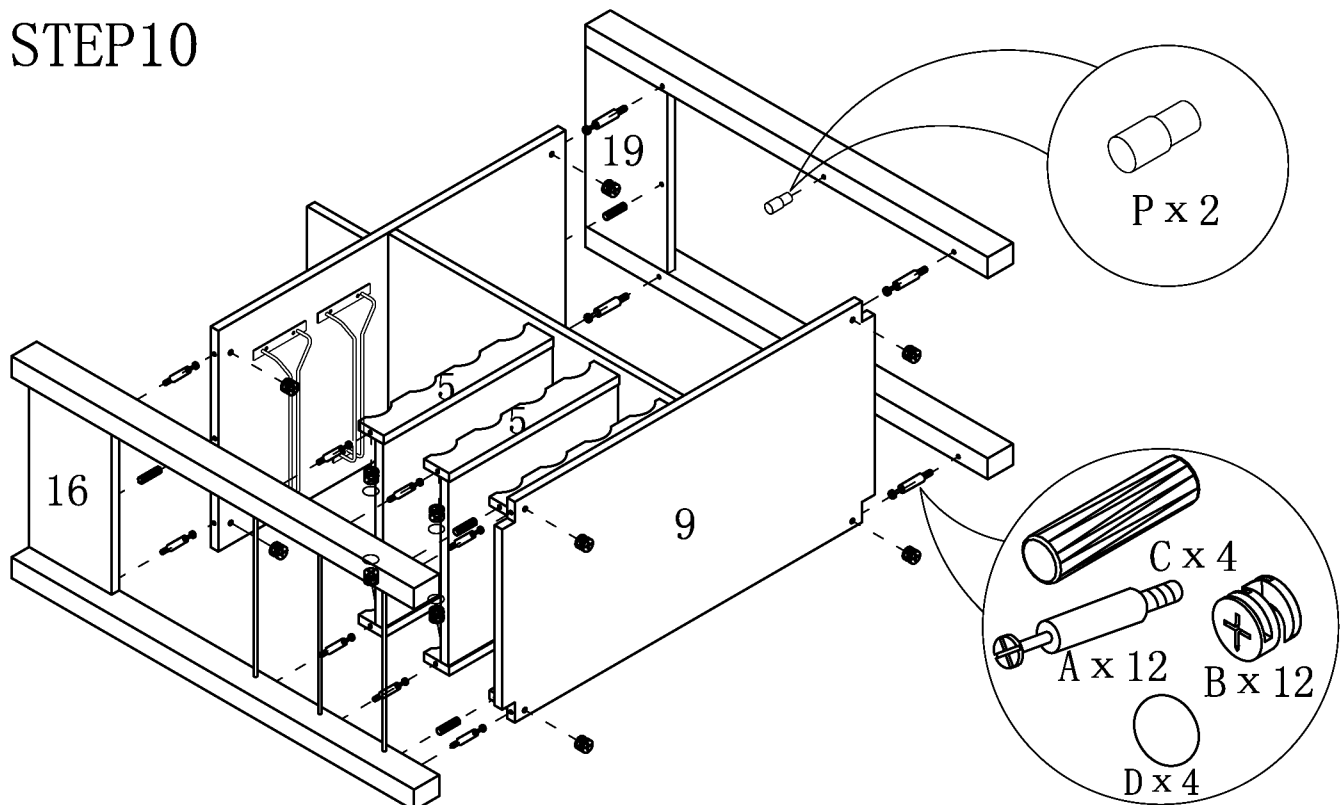


ASSEMBLY INSTRUCTION

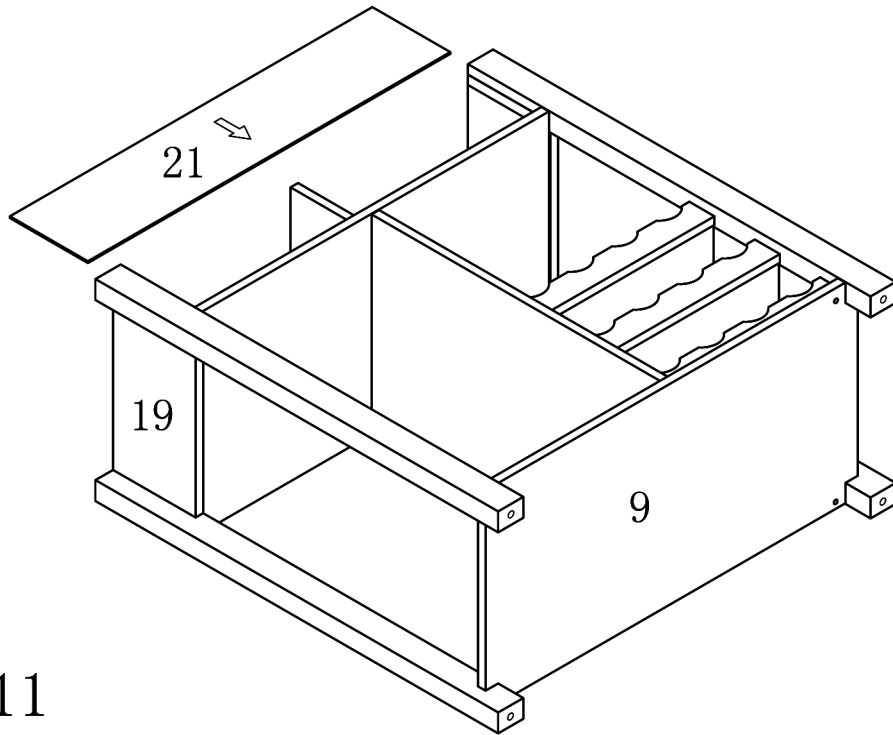


STEP9

STEP10

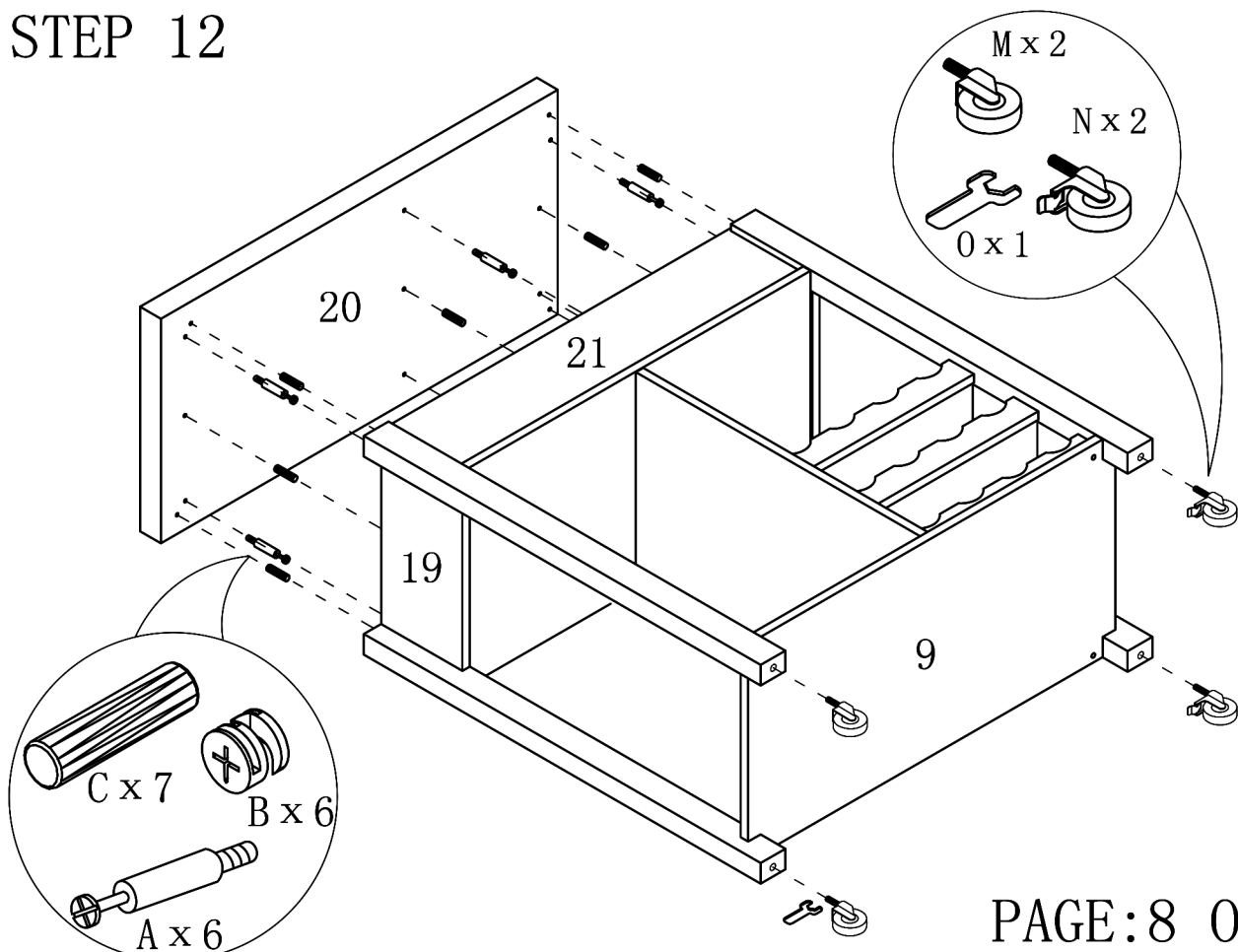


ASSEMBLY INSTRUCTION

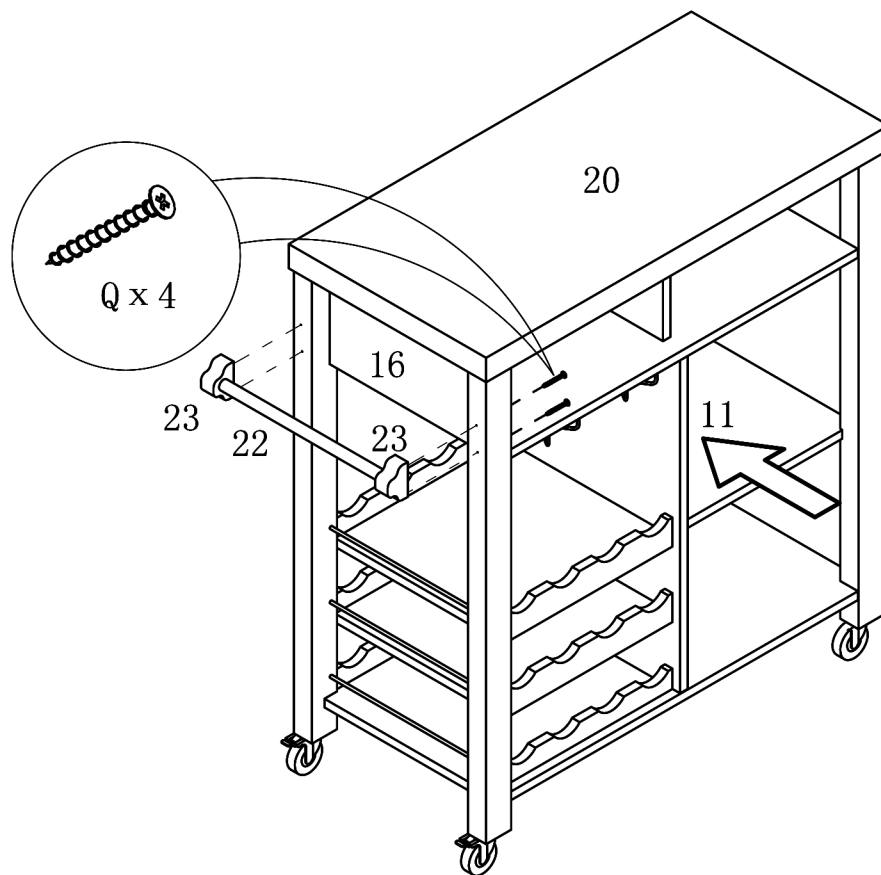


STEP 11

STEP 12



ASSEMBLY INSTRUCTION



STEP 13

STEP 14

