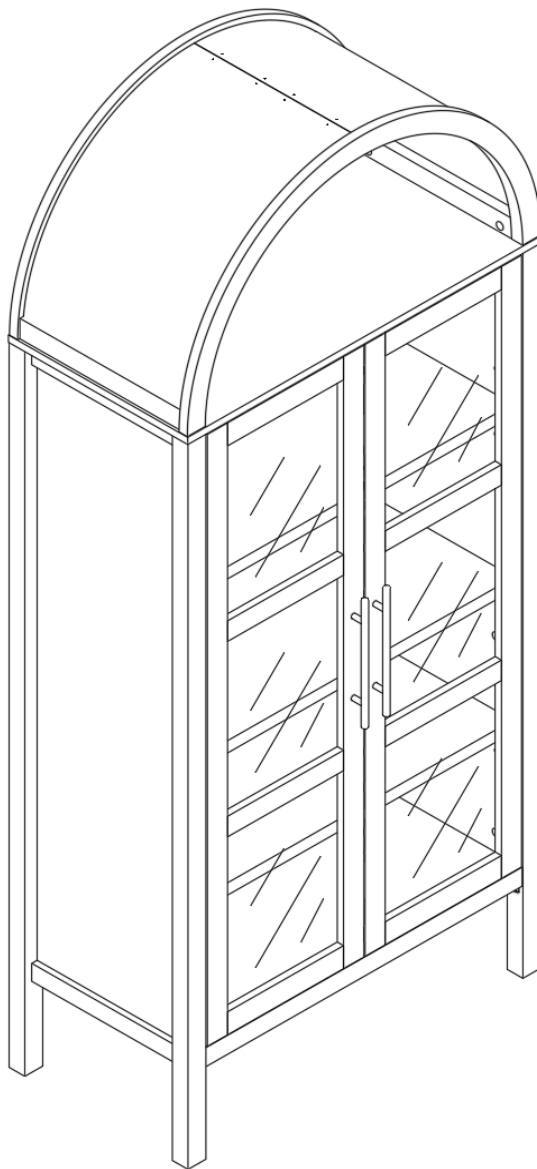


ASSEMBLY INSTRUCTIONS

MODEL # _____

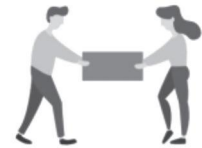
**MODEL #
SL-AC8001**



TOOLS REQUIRED



Screwdriver
(Not included)



2 - People

ASSEMBLY RATING



EASY —————> DIFFICULT

The Assembly Rating is a 5-point system showing the level of effort needed to assemble a specific product.



CHECK BEFORE STARTING

Are you missing anything?

Double-check all parts, hardware and accessories listed are all accounted for.

Check out our Quick Tips!

We recommend reviewing the pre-assembly handouts. Even experts need a refresher now and then!

Should we send any replacements?

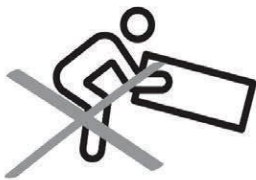
Are there any irregularities or flaws in the parts? We can send replacements!

Prep Time!

Please review the assembly instructions and all diagrams prior to assembling.

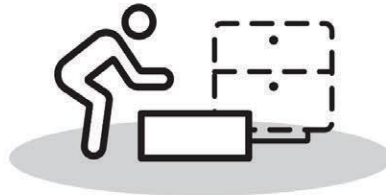
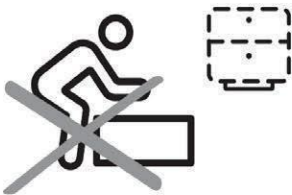
PRE ASSEMBLY INTRODUCTION

We understand building ready-to-assemble furniture can be a challenging experience for some. To help avoid confusion, we have provided some helpful tips that may speed up the process.



Teamwork

ALWAYS have at least two people to help with transporting and assembling the product to avoid potential injury and/or damage.



Suitable Location

Assembling near the area of the intended location is highly recommended.



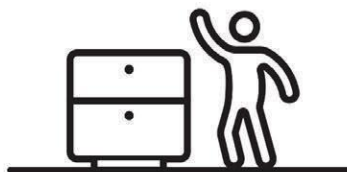
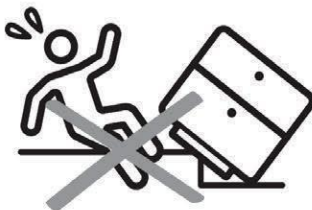
Sufficient Space

Make sure you have enough space to move around during the assembly.



Avoid Scratches

Use cardboard, blankets or a carpeted area while assembling furniture to prevent scratches and damages.



Flat Surface

Make sure the furniture rests on a flat and level surface with each leg evenly touching the floor.

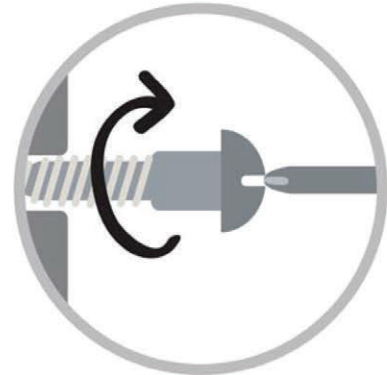
ASSEMBLY AND CARE ADVICE



FAILURE TO FOLLOW THE GUIDELINES BELOW MAY RESULT IN INJURY AND/OR PROPERTY DAMAGE.



Position each part correctly and insert screws or bolts into their respective holes.



Turn clockwise to tighten and only tighten when step is completed or when instructed to do so.



Use the appropriate hand tools or power tools for assembly. Select steps, such as tightening screws and/or bolts, may require hand tools to avoid causing damage during assembly.



Save the instructions and store any supplied tools for later maintenance.



After two weeks, check and tighten any loose hardware and repeat again every six months thereafter.

IT IS THE USER'S RESPONSIBILITY TO MAINTAIN THE FURNITURE. THE HARDWARE MAY LOOSEN OVER TIME AND MAY CAUSE THE FURNITURE TO BE WOBBLY AND UNABLE TO SUPPORT ITS INTENDED WEIGHT CAPACITY. THIS MAY LEAD TO COLLAPSE AND MAY CAUSE SERIOUS INJURY.

ARCHED CABINET

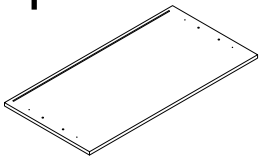
SL-AC8001



- Please keep instructions for future reference.
- Check the quantity and irregularity of parts and hardware before you start.

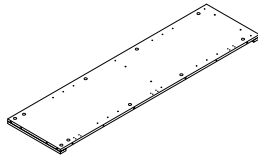
PARTS

1



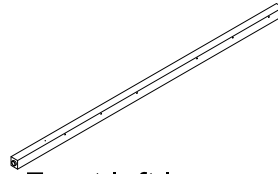
Panel
1 pc.

2



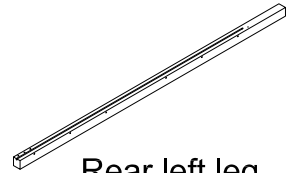
Left side panel
1 pc.

3



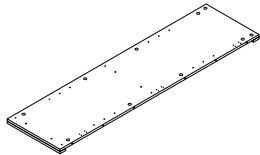
Front left leg
1 pc.

4



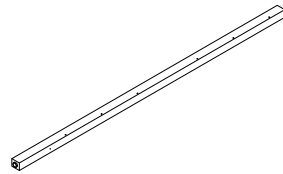
Rear left leg
1 pc.

5



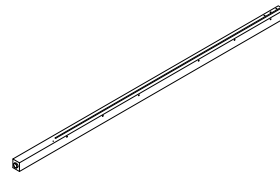
Right side panel
1 pc.

6



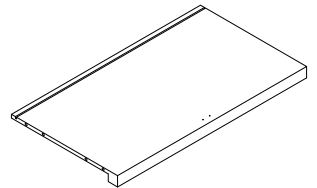
Front right leg
1 pc.

7



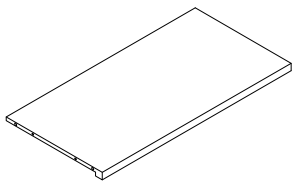
Rear right leg
1 pc.

8



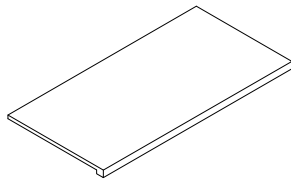
Bottom panel
1 pc.

9



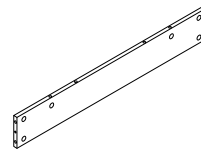
Middle shelf
1 pc.

10



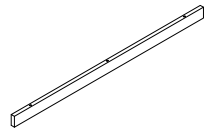
Middle shelf
2 pcs

11



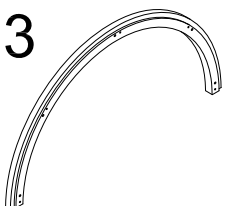
Back brace
1 pc.

12



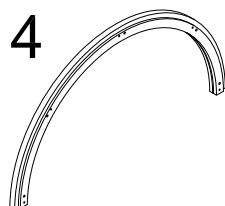
Front decorative strip
1 pc.

13



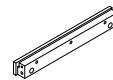
Front curved trim
1 pc.

14



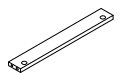
Rear curved trim
1 pc.

15



Stretcher
2 pcs

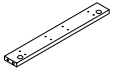
16



Upper stretchers
2 pcs.

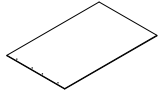
PARTS

17



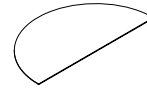
Middle stretcher
1 pc.

18



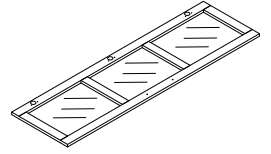
Top panel
2 pcs.

19



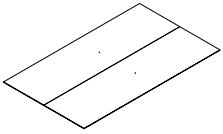
Upper back panel
1 pc.

20



Door frame
2 pcs.

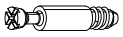
21



Lower back panel
1 pc.

HARDWARE

A



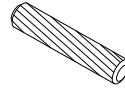
(44+2) pcs.
Cam Bolt
Ø6*33 pc.

B



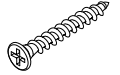
(44+2) pcs.
Cam Lock
Ø15x10mm

C



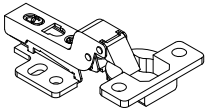
(40+2) pcs
Dowel
Ø6x30mm

D



6 pcs
Screw
Ø4x28mm

E



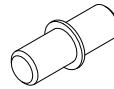
6 pcs
Europe Hinge
Ø35

F



(36+1) pcs
Screw
Ø3.5x12mm

G



8 pcs
Shelf support pin
Ø5x16mm

H



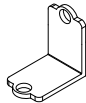
(22+1) pcs
Screw
Ø3.5x12mm

I



(14+1) pcs
Plastic Wedge

J



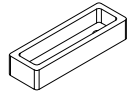
4 pcs
Bracket
1 pc.

K



(12+1) pcs
Screw
Ø3.5x12mm

L



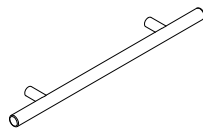
1 pc.
Door stopper

M



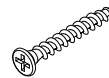
4 PCS
Handle bolt
5/32*22mm

N



2 PCS
Handle
1 pc.

O



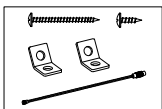
7 pcs
Screw
Ø4x38mm

P



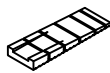
(30+1) pcs
Cam Cover
Ø3.5x12mm

Q

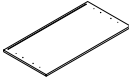
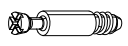


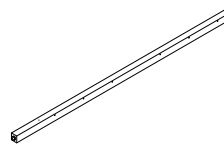
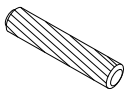
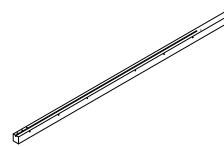
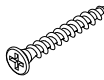
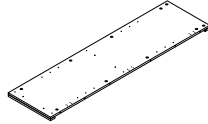
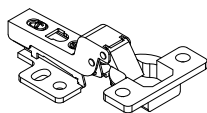
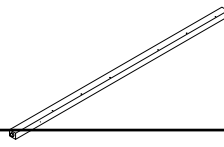

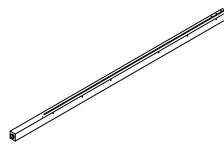
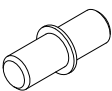
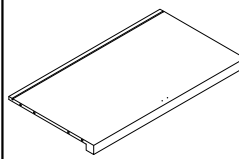

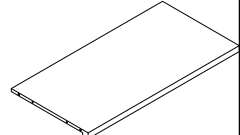
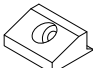
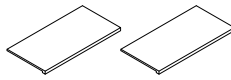
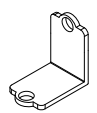


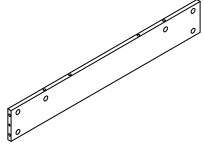
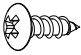
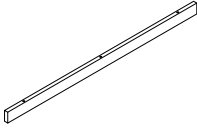
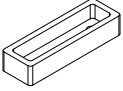
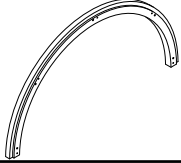
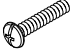
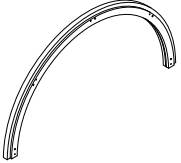
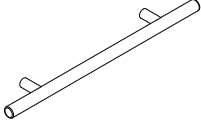
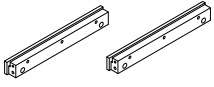
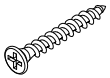
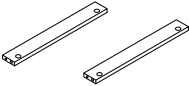

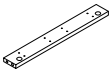
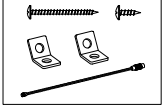
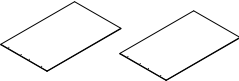
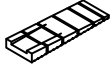
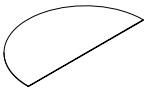
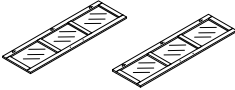
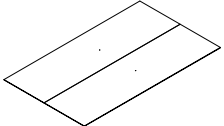
1 pc.
Tipping Restraint Hardware

R

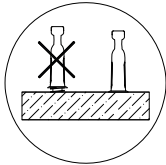


2 pcs

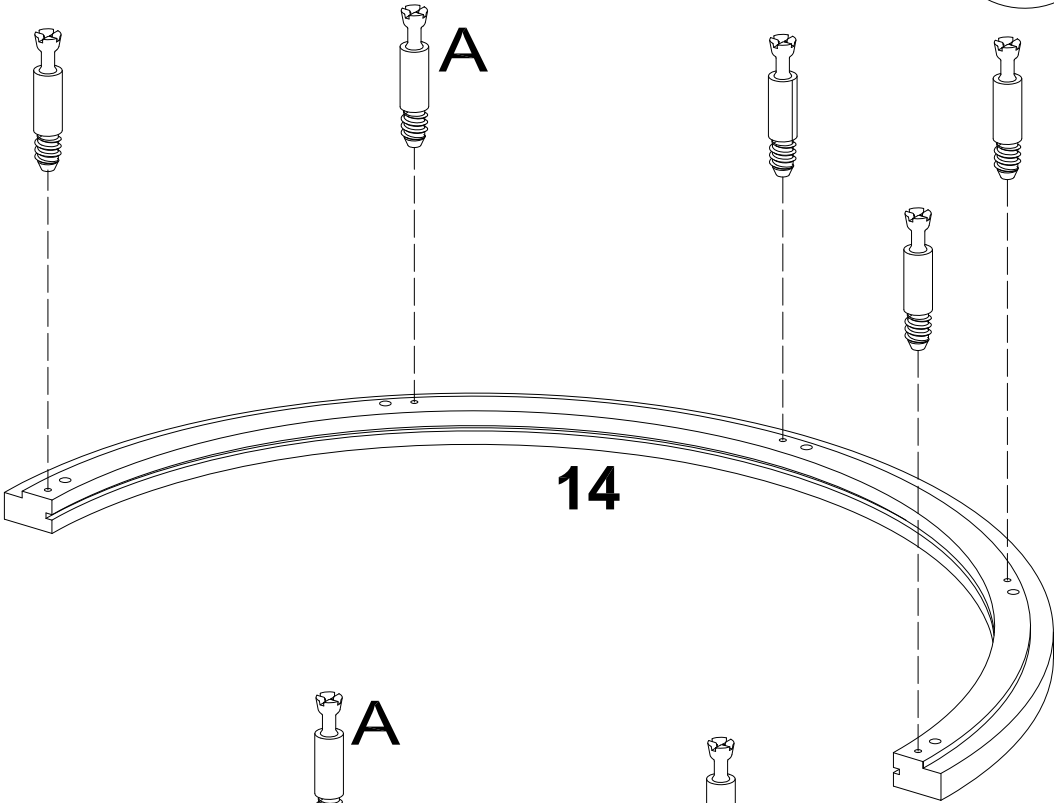
Carton	Designation	Part		Hardware	
SL-AC8001	Panel(1pc)	1			A 44 pcs.
	Left side panel(1pc)	2			B 44 pcs.
	Front left leg (1pc)	3			C 40 pcs.
	Rear left leg (1pc)	4			D 6 pcs.
	Right side panel (1pc)	5			E 6 pcs.
	Front right leg (1pc)	6			F 36 pcs.
	Rear right leg (1pc)	7			G 8 pcs.
	Bottom panel (1pc)	8			H 22 pcs.
	Middle shelf (1pc)	9			I 14 pcs.
	Middle shelf (2pcs)	10			J 4 pcs.

Carton	Designation	Part	Part	Hardware
SL-AC8001	Back brace (1pc)	11		 K 12 pcs.
	Front decorative strip (1pc)	12		 L 1 pc.
	Front curved trim (1pc)	13		 M 4 pcs.
	Rear curved trim (1pc)	14		 N 2 pcs.
	Stretcher (2pcs)	15		 O 7 pcs.
	Upper stretchers(2pcs)	16		 P 30 pcs.
	Middle stretcher (1pc)	17		 Q 1 pc.
	Top panel (2pcs)	18		 R 2 pcs.
	Upper back panel (1pc)	19		
	Door frame (2pcs)	20		
	Lower back panel (1pc)	21		

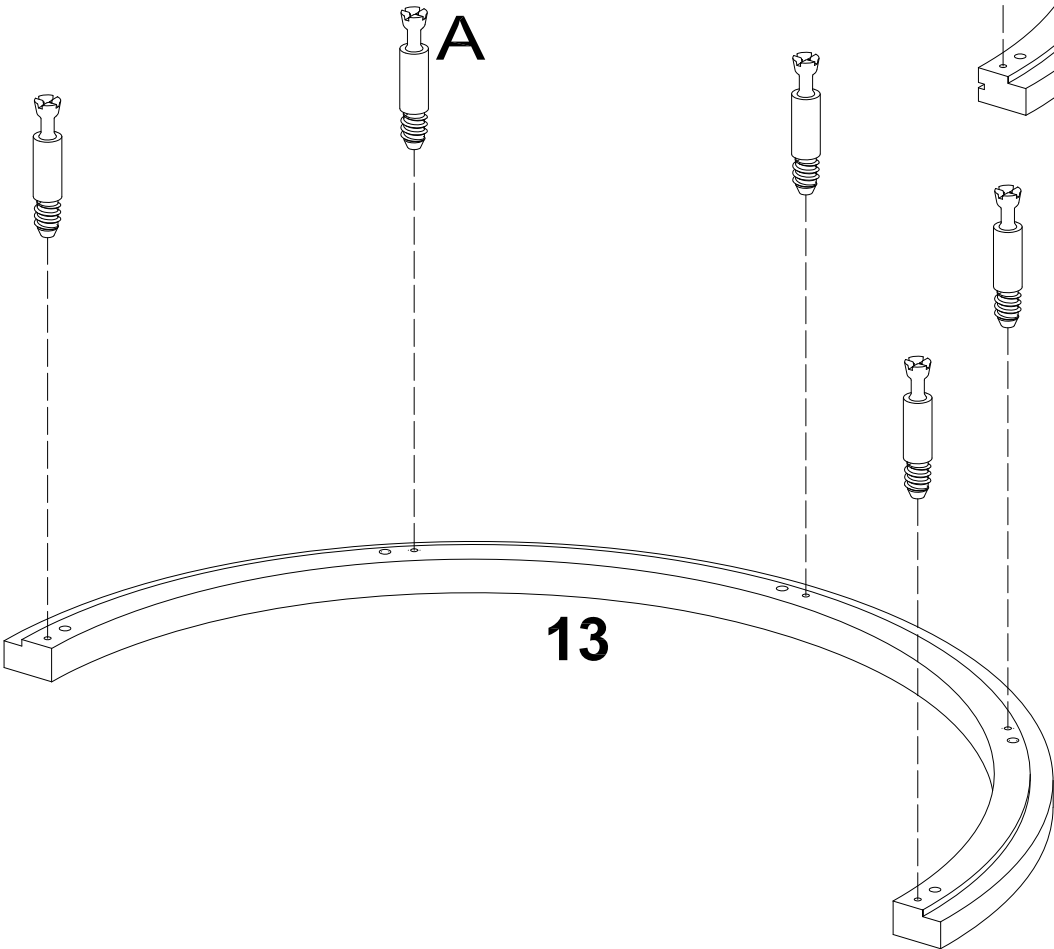
ASSEMBLY INSTRUCTIONS



1

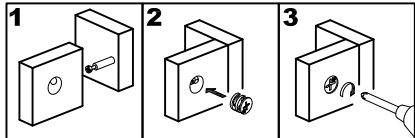
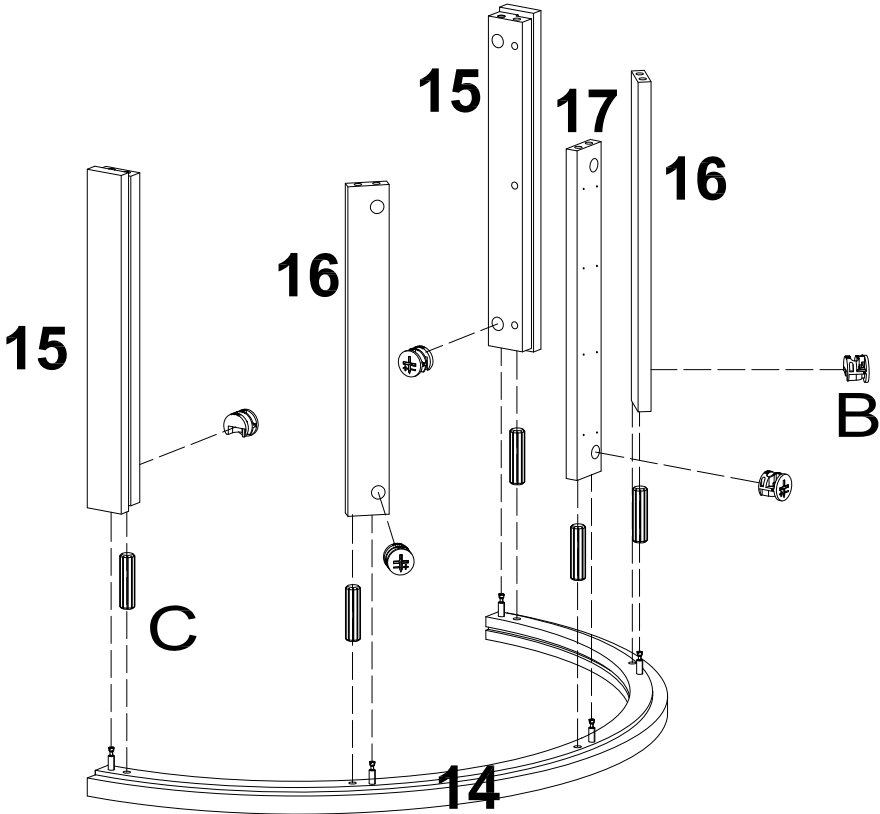


2

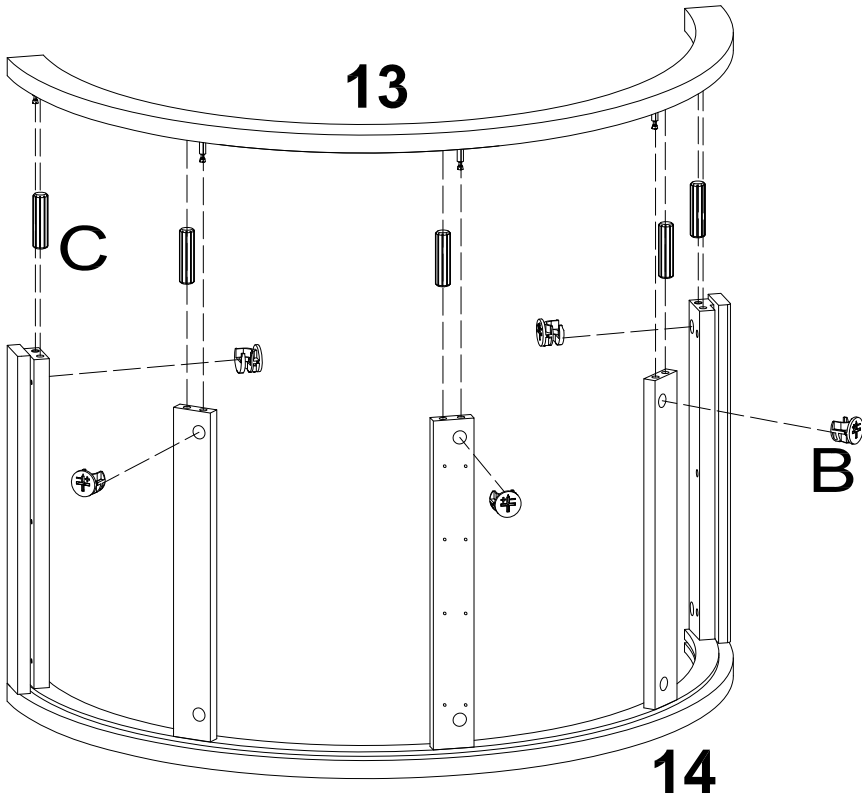


ASSEMBLY INSTRUCTIONS

3

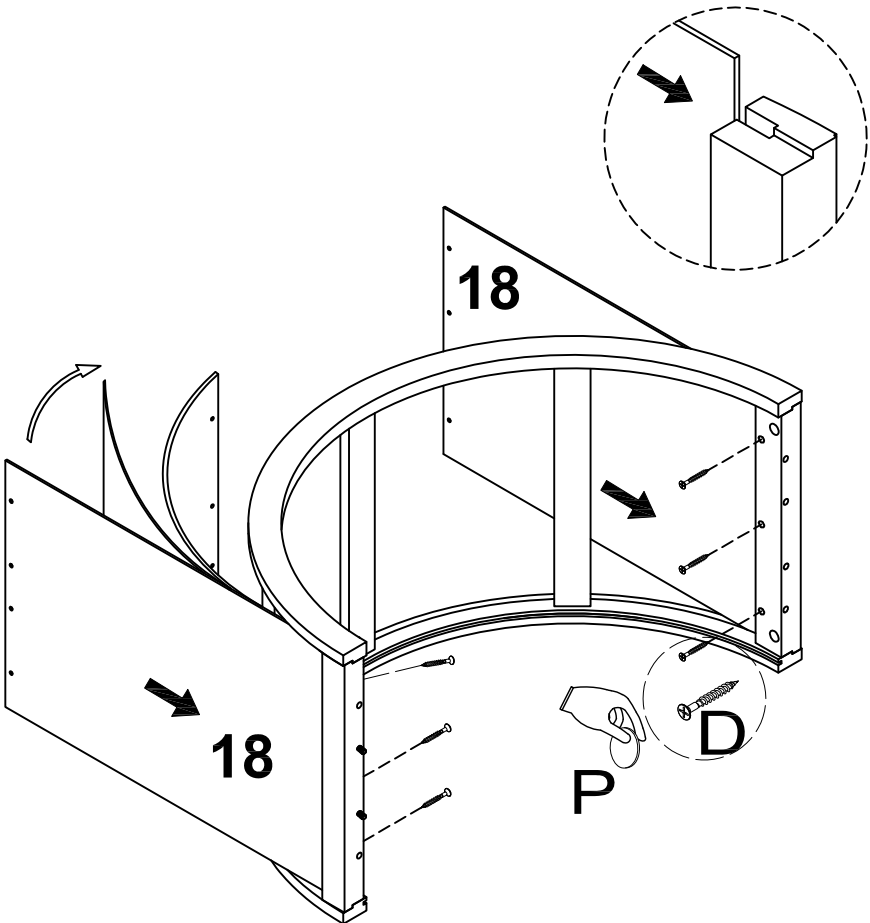


4

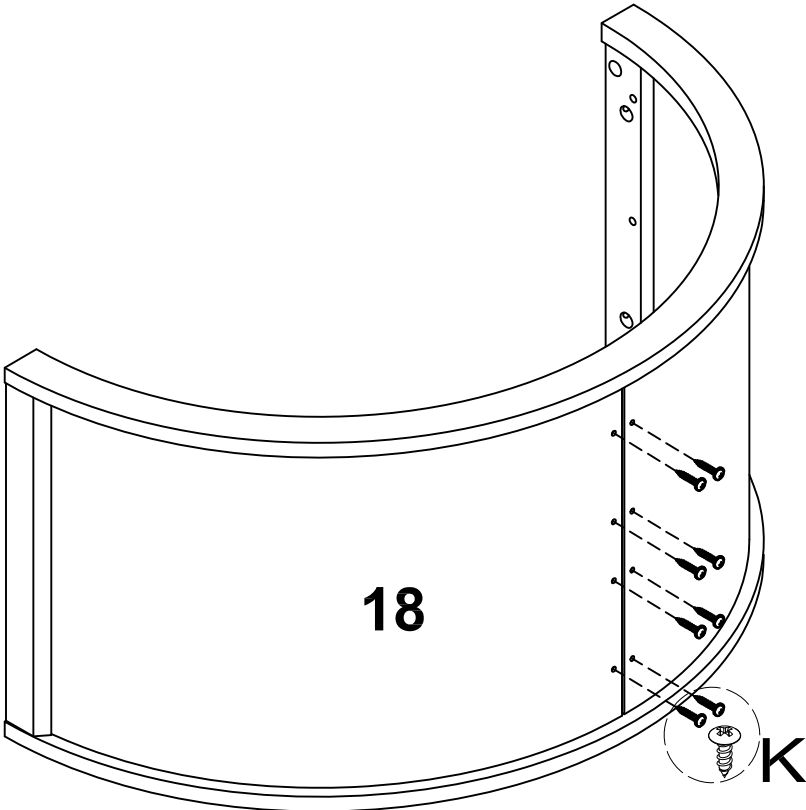


ASSEMBLY INSTRUCTIONS

5

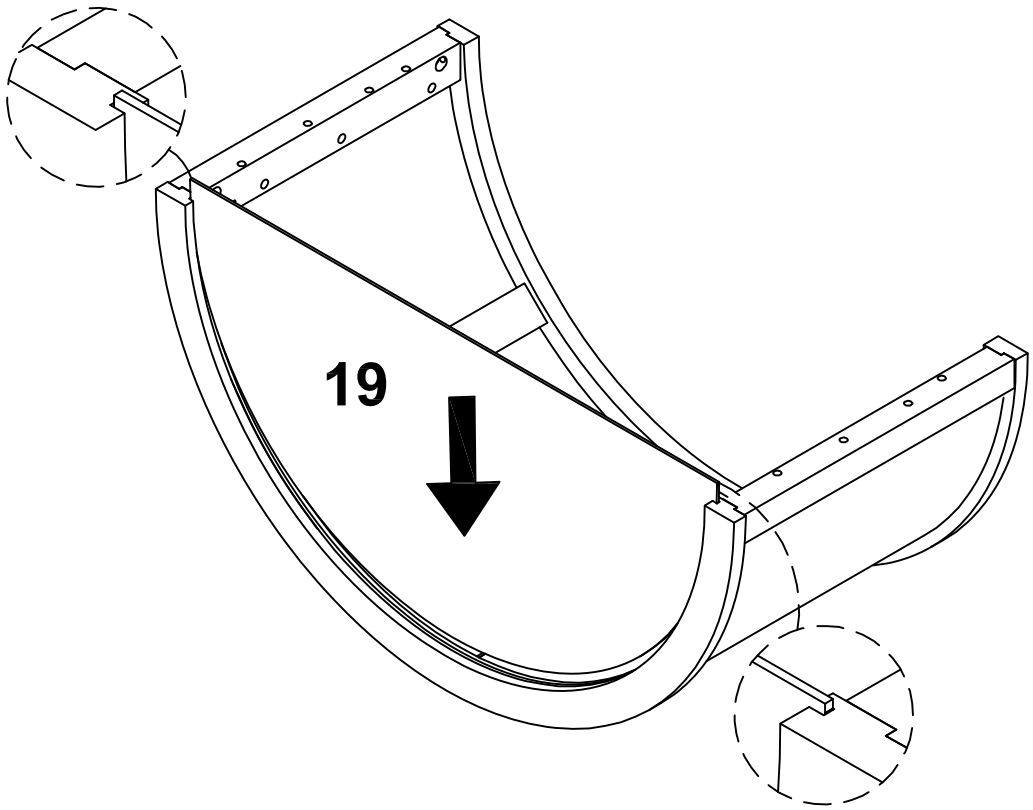


6

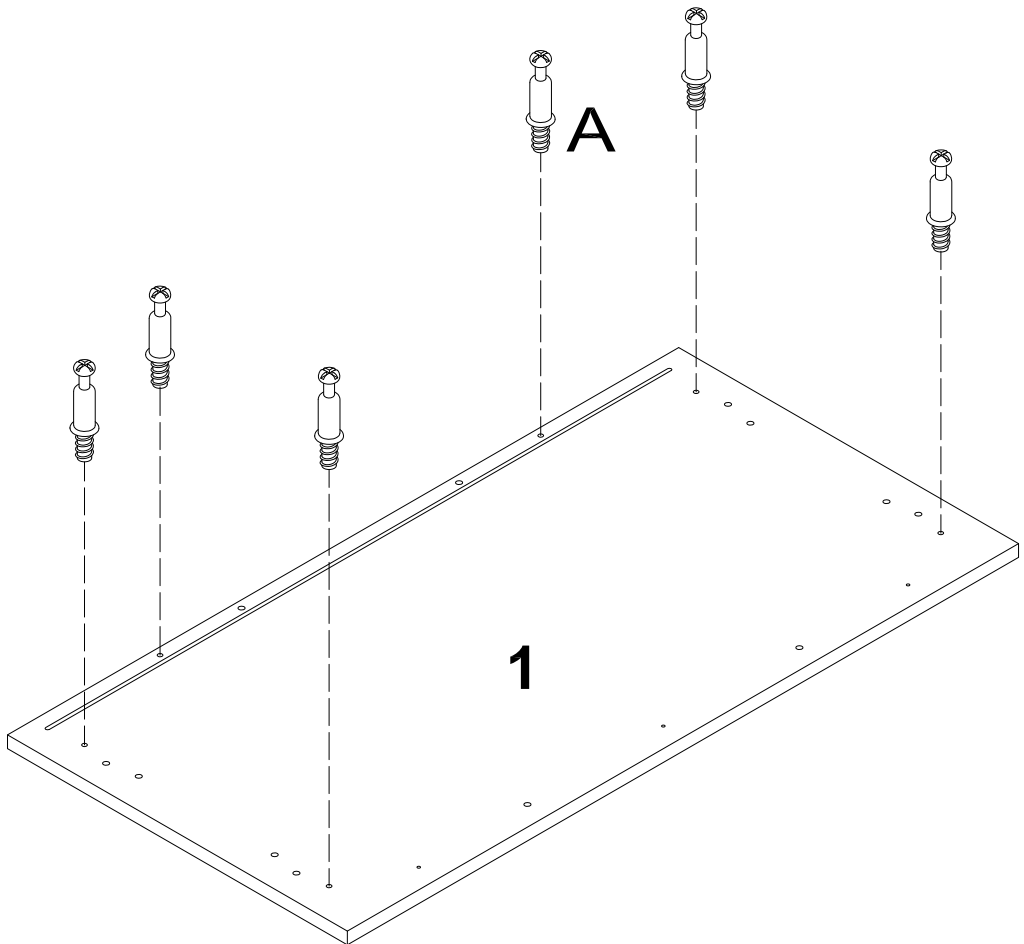


ASSEMBLY INSTRUCTIONS

7

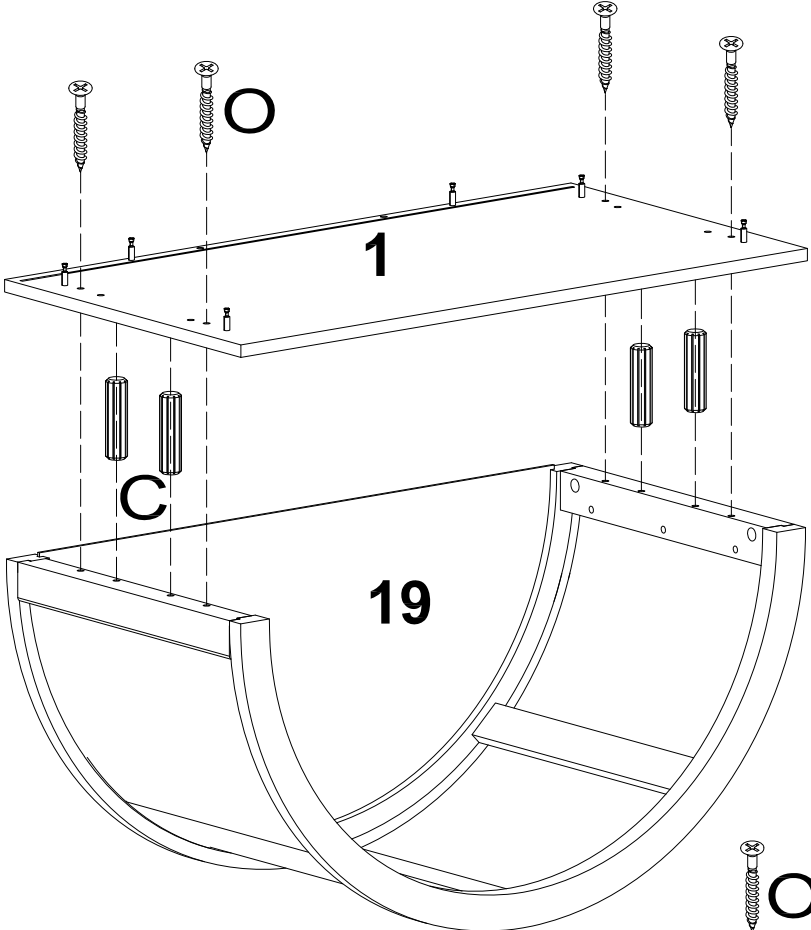


8

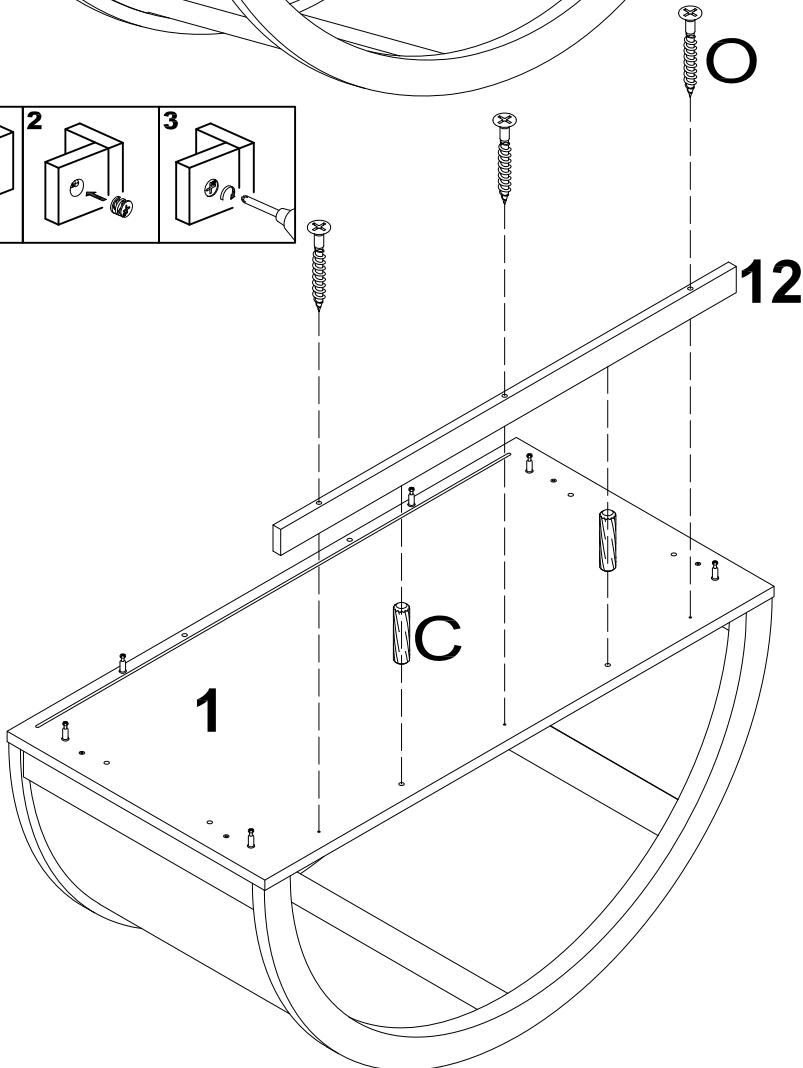
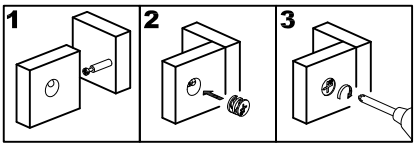


ASSEMBLY INSTRUCTIONS

9

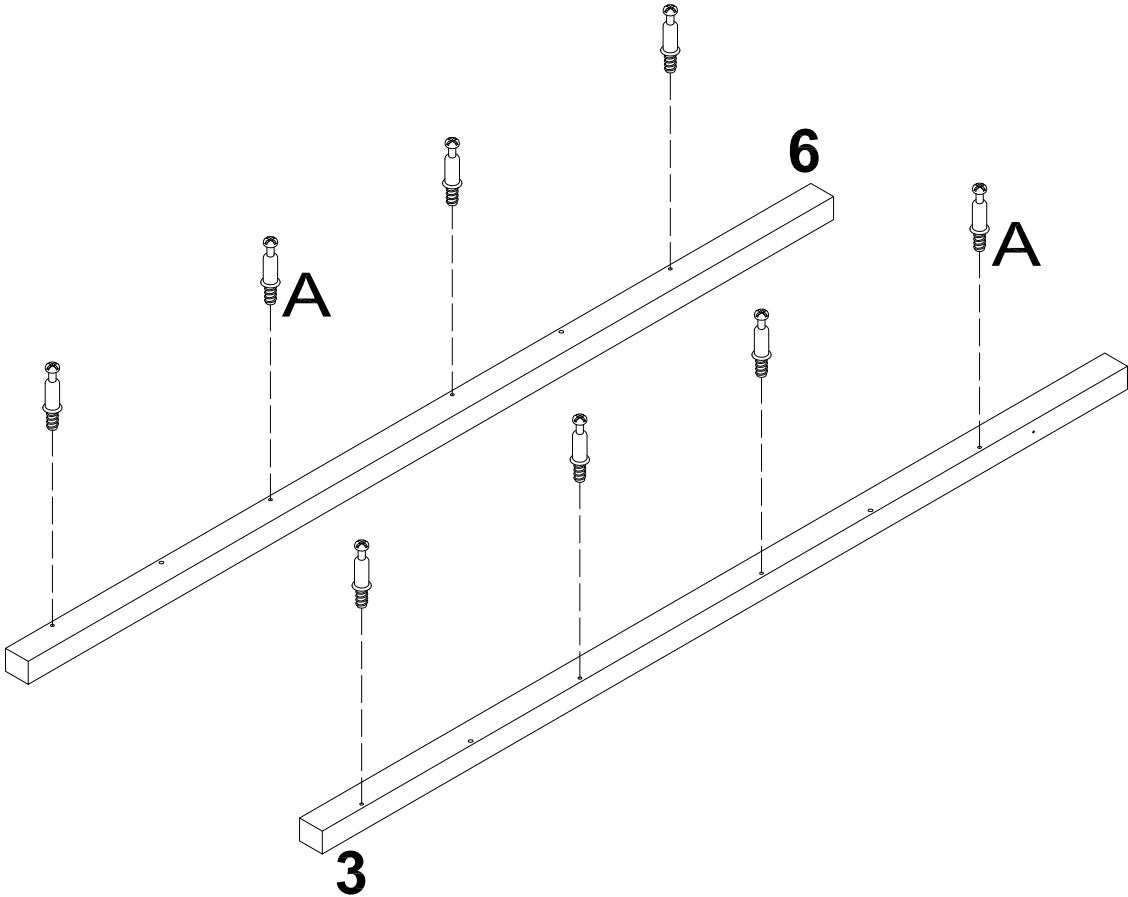


10

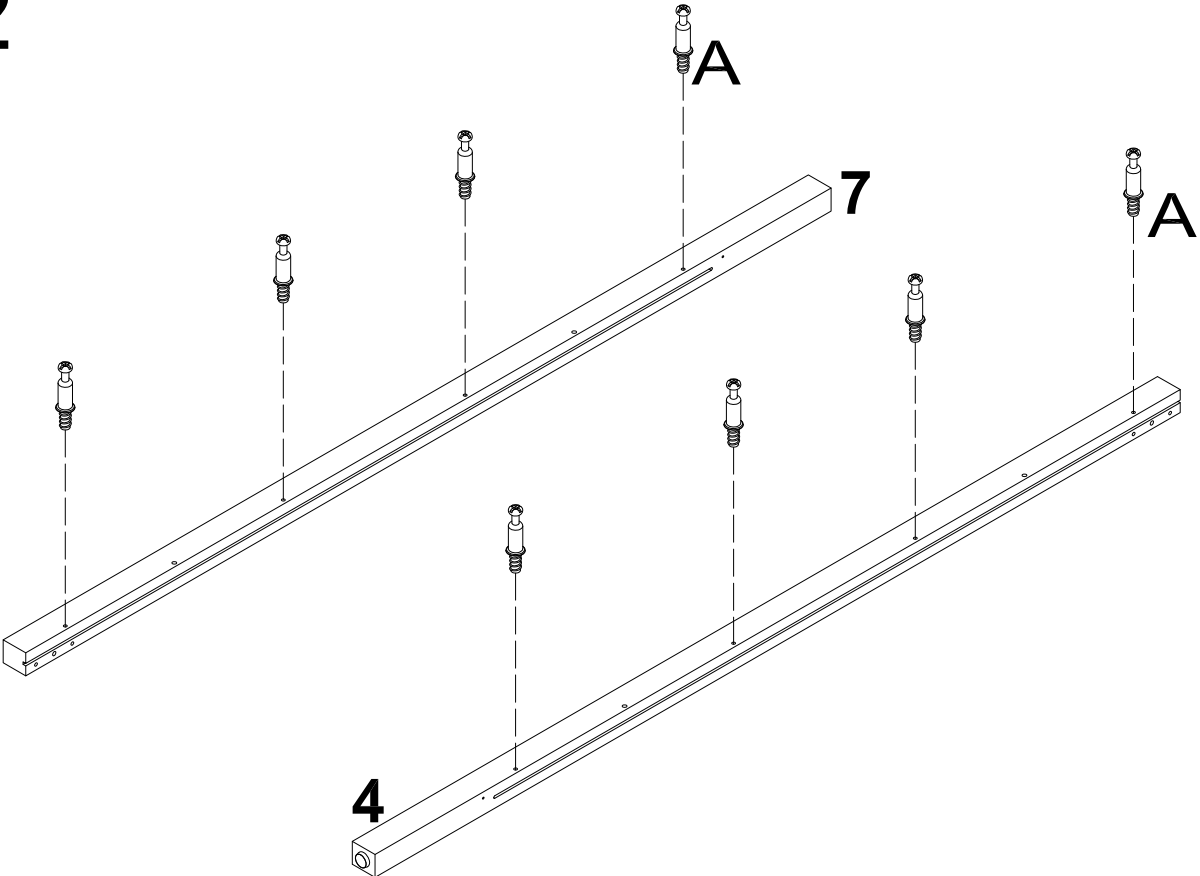


ASSEMBLY INSTRUCTIONS

11

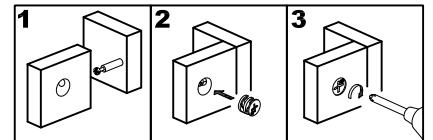
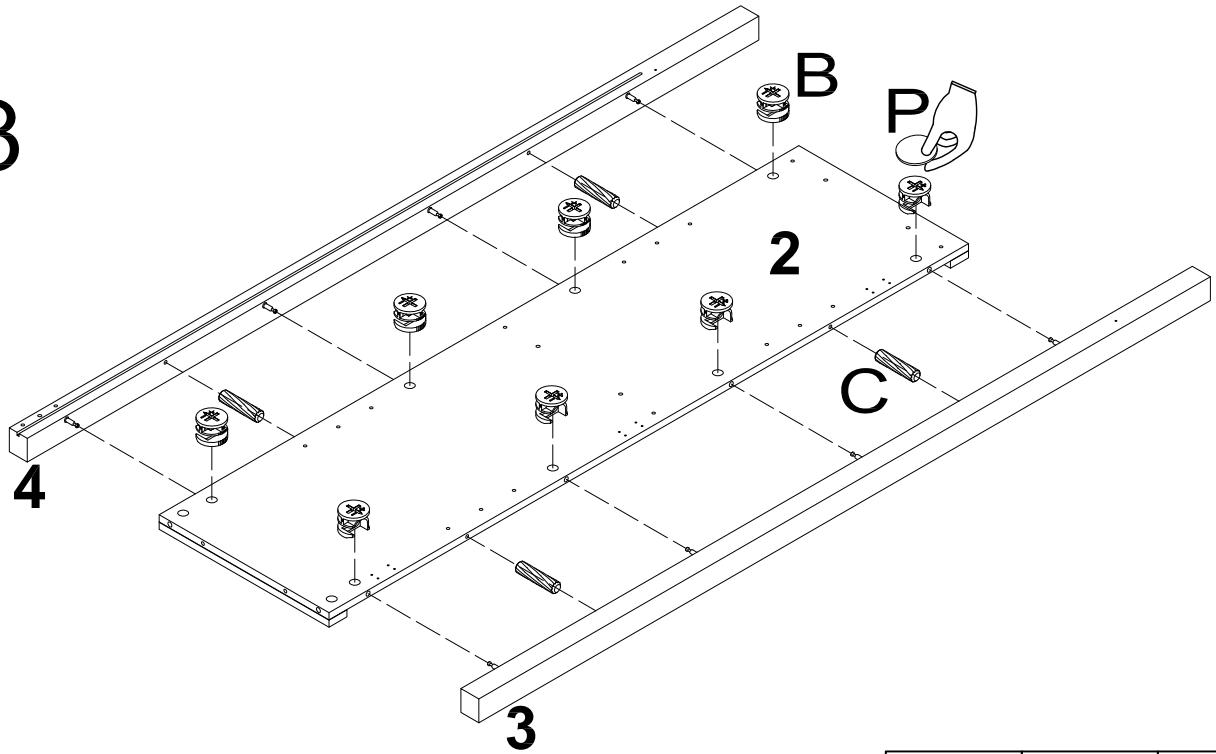


12

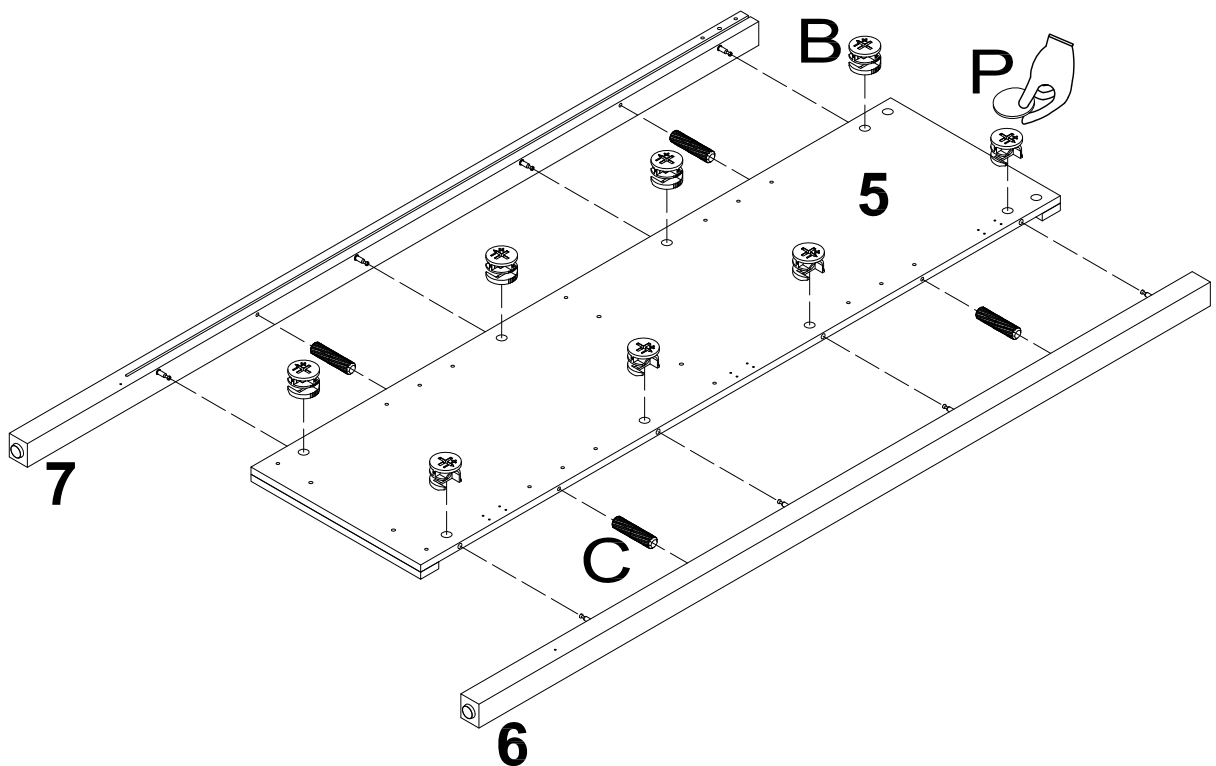


ASSEMBLY INSTRUCTIONS

13

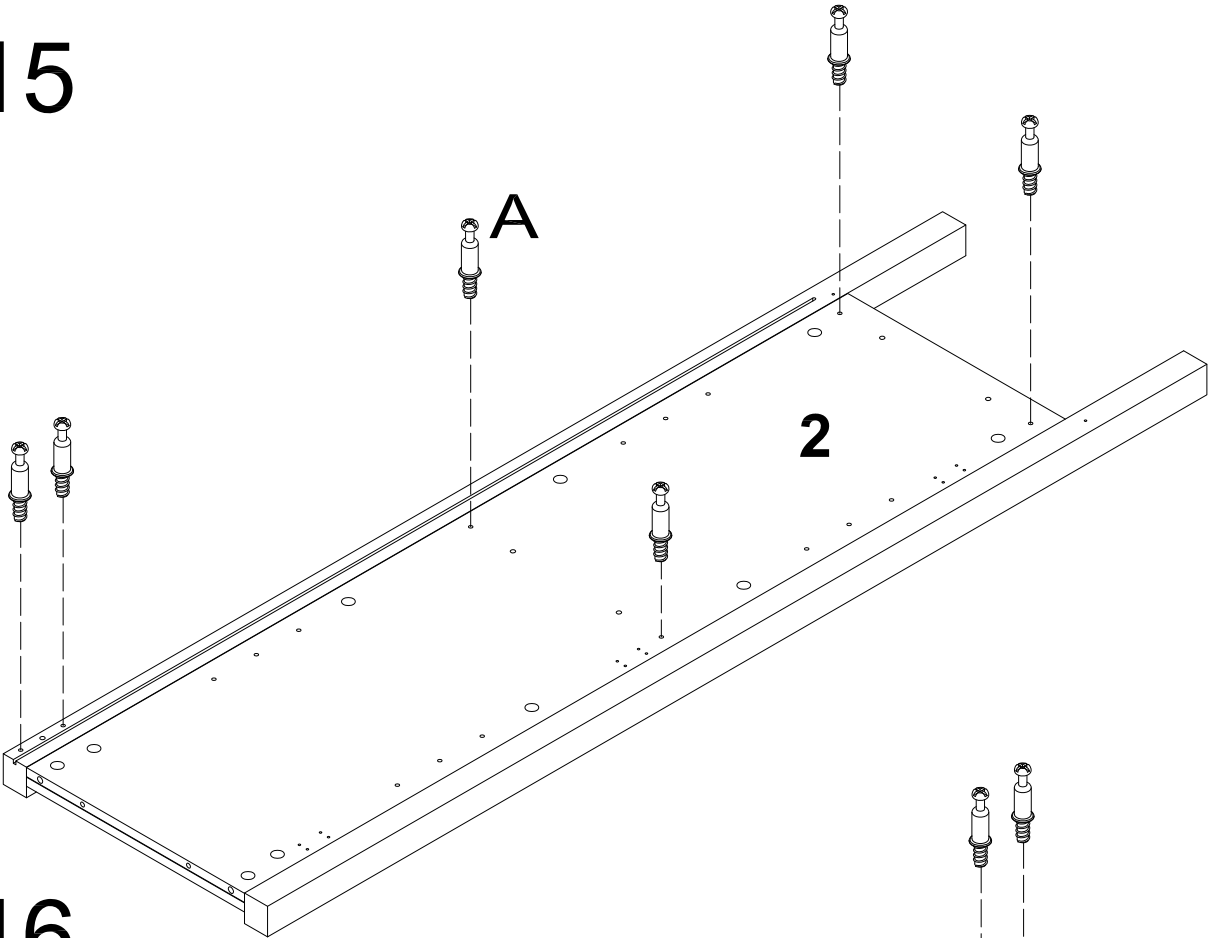


14

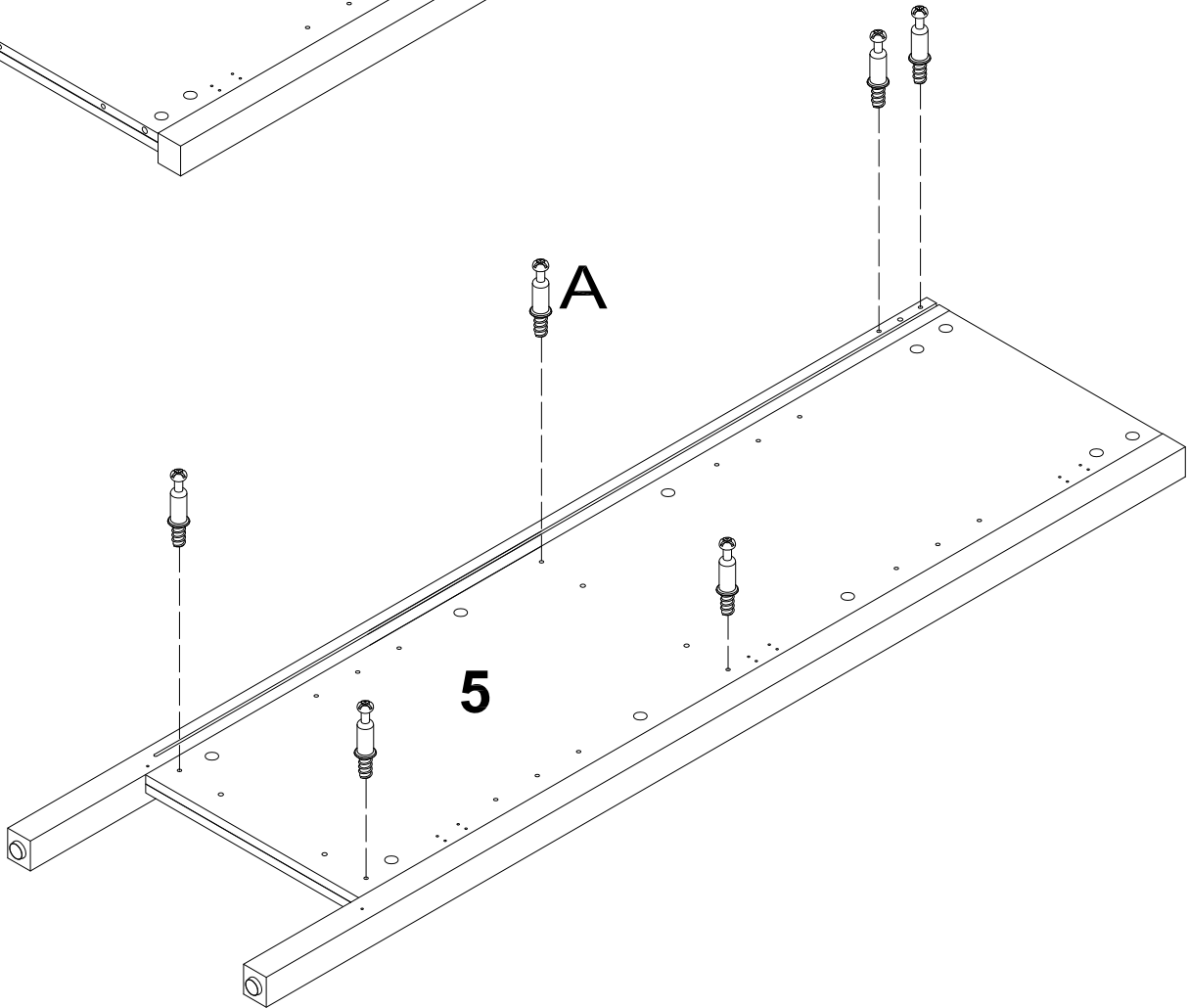


ASSEMBLY INSTRUCTIONS

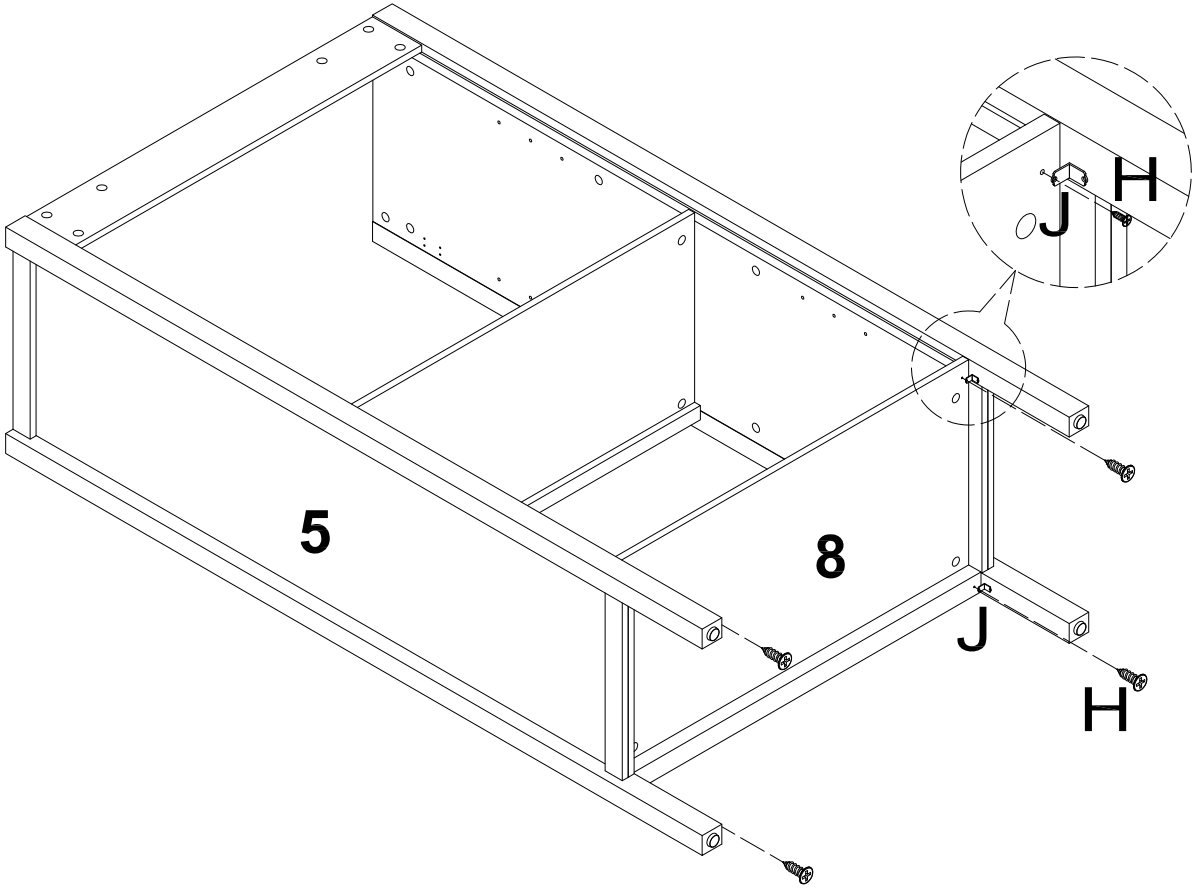
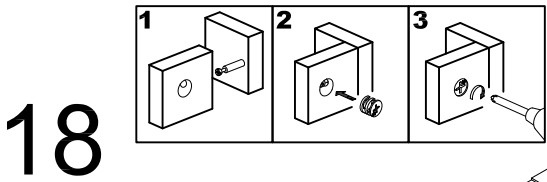
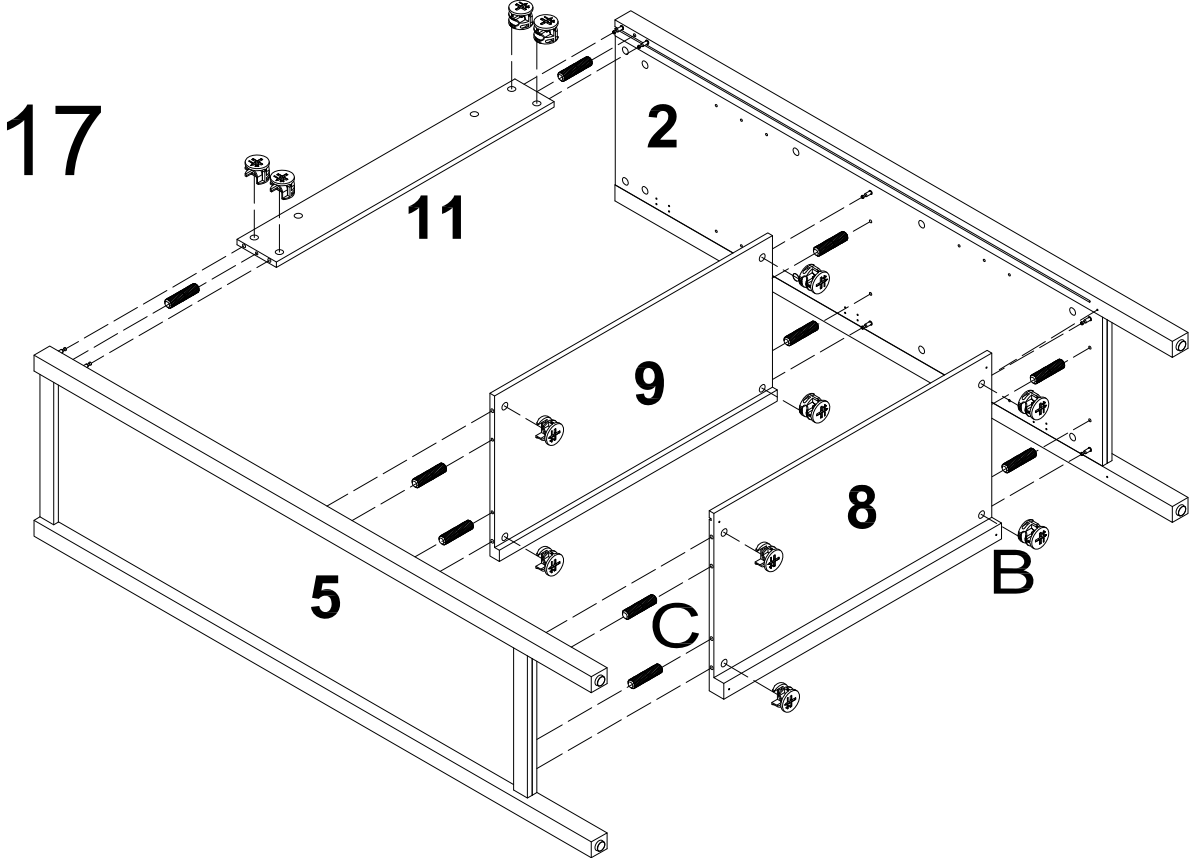
15



16

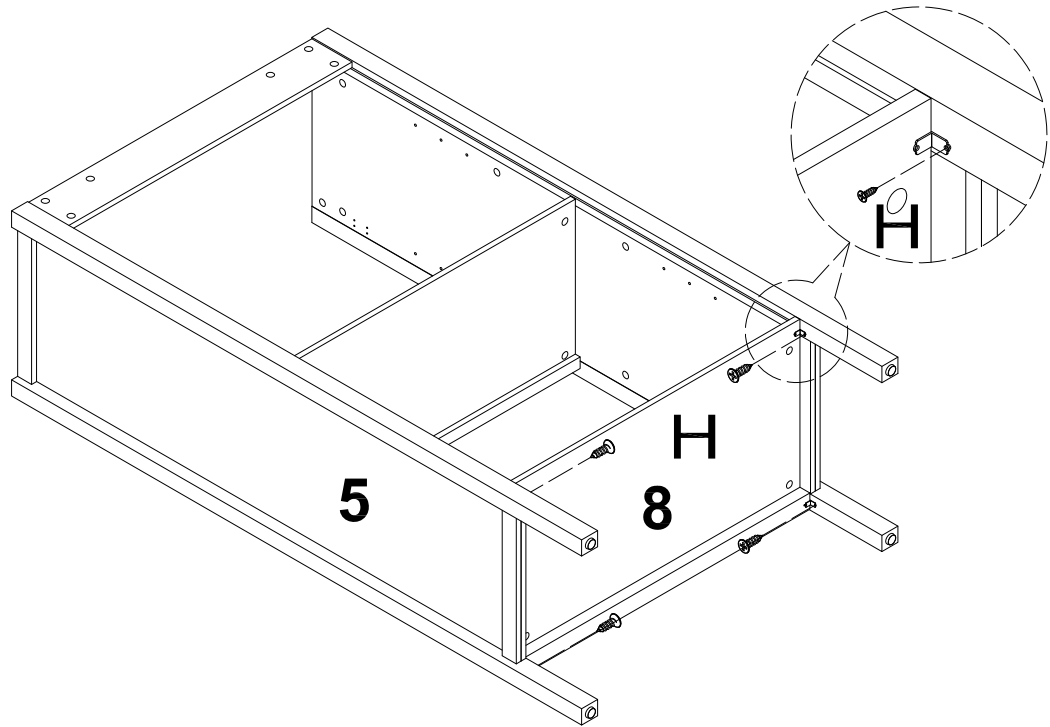


ASSEMBLY INSTRUCTIONS

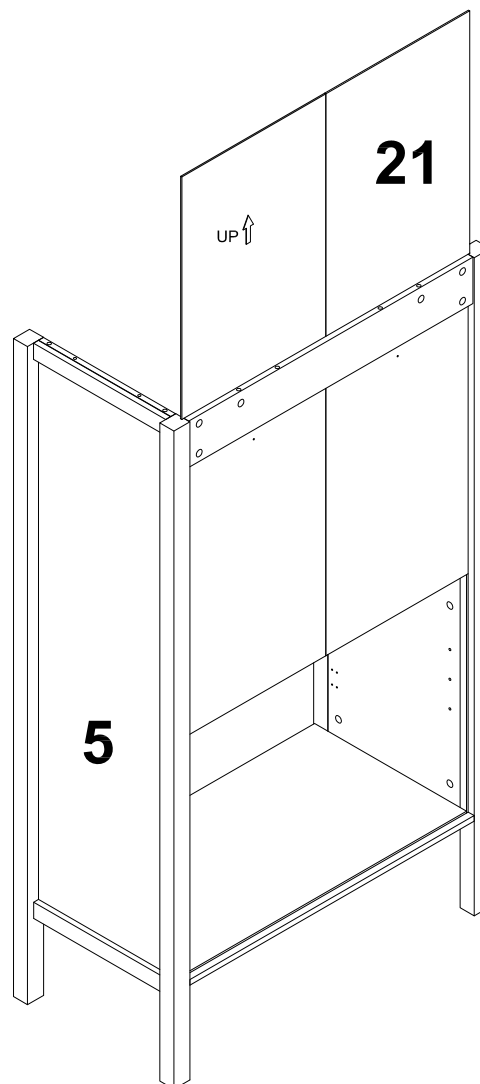


ASSEMBLY INSTRUCTIONS

19

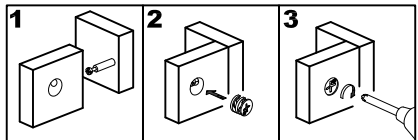
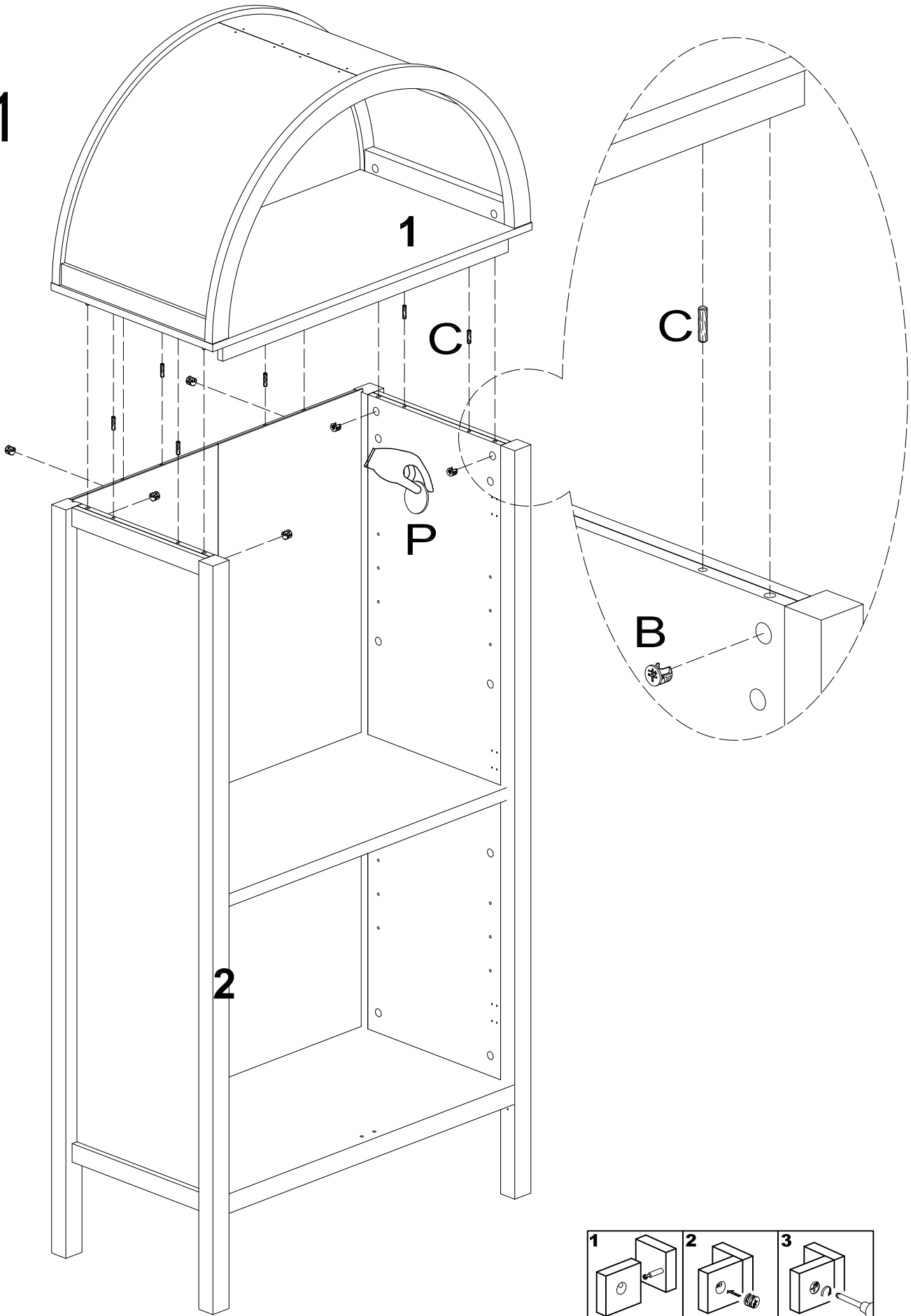


20



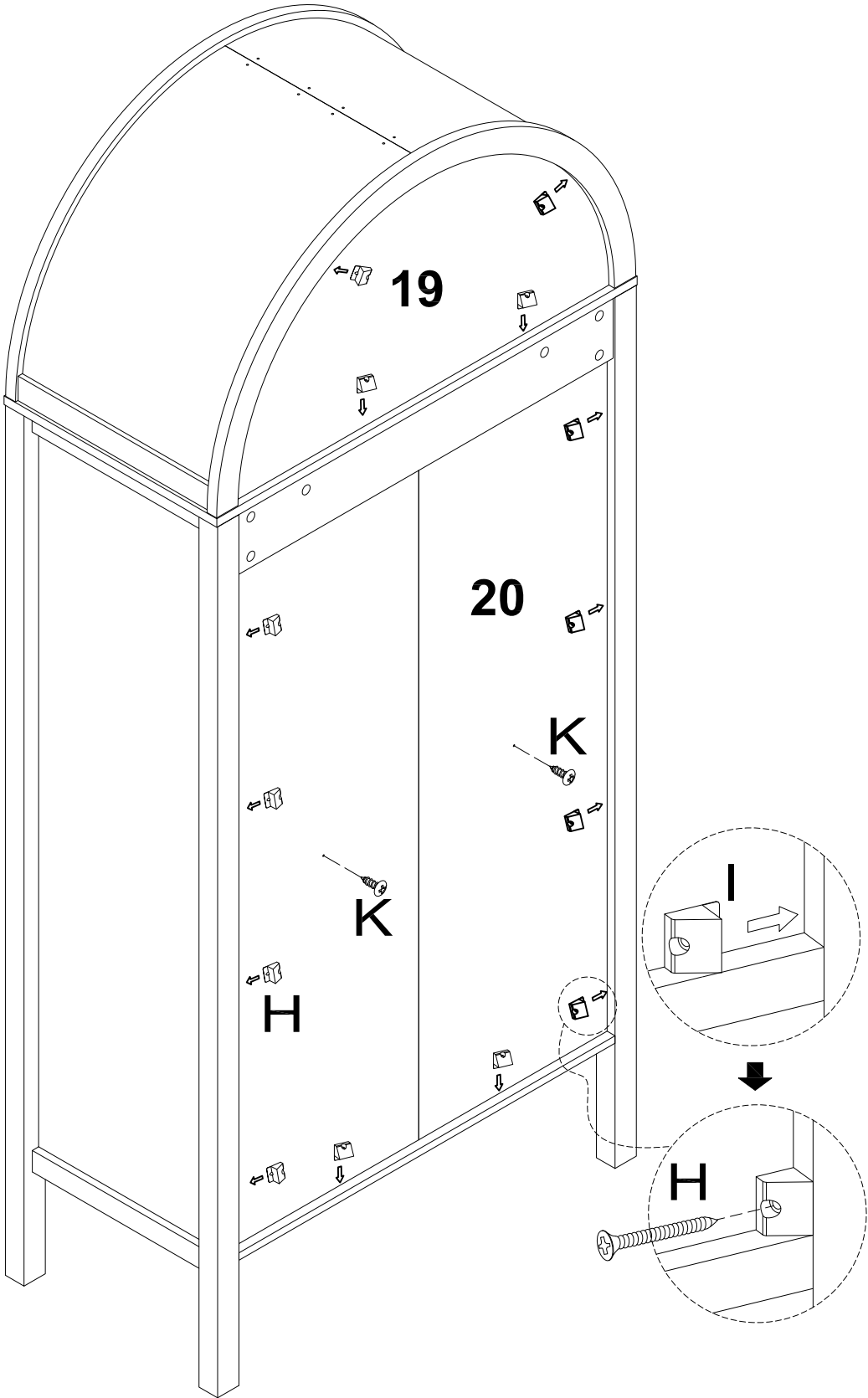
ASSEMBLY INSTRUCTIONS

21



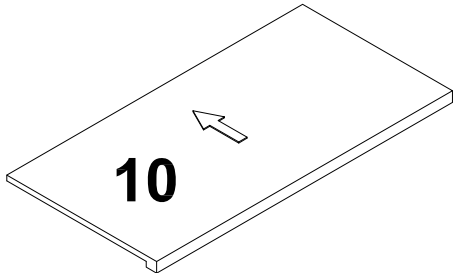
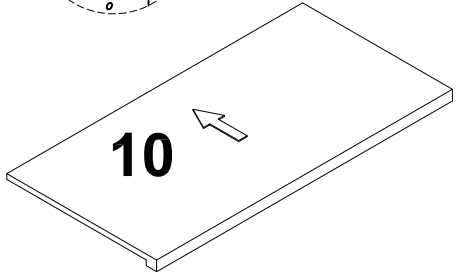
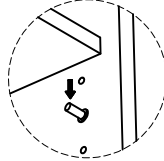
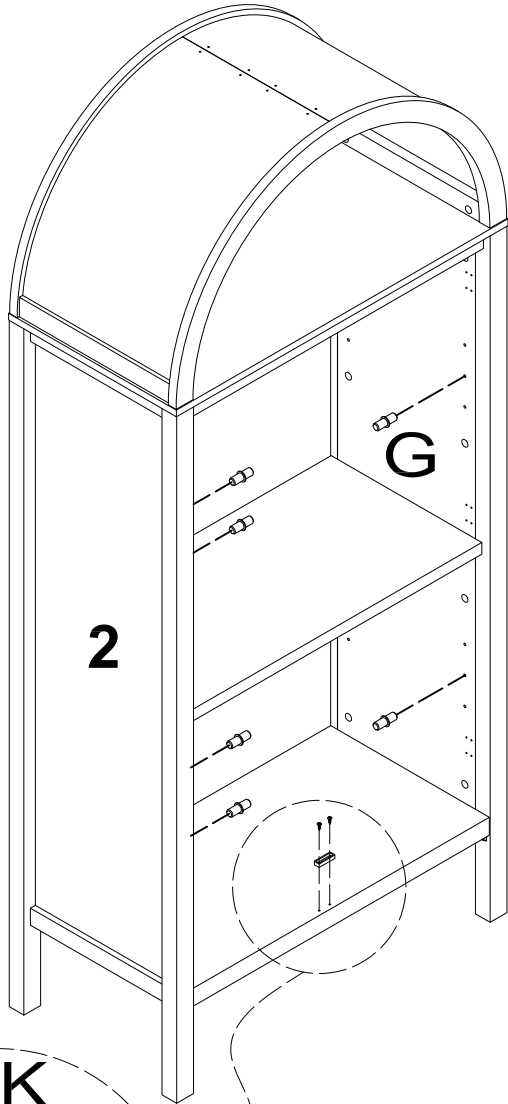
ASSEMBLY INSTRUCTIONS

22

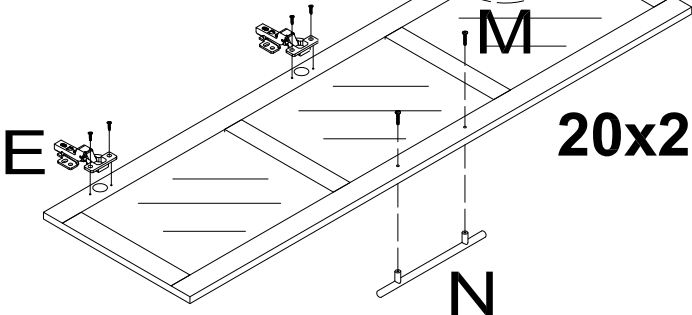
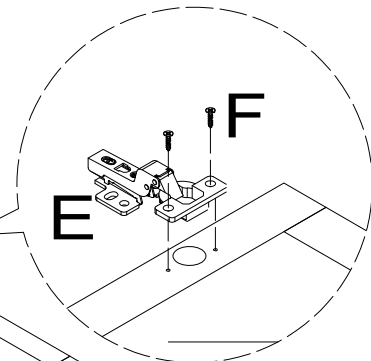
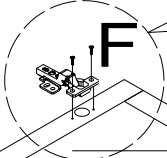
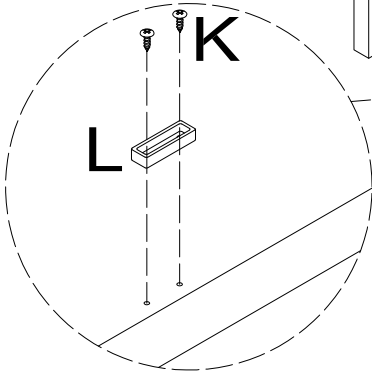


ASSEMBLY INSTRUCTIONS

23

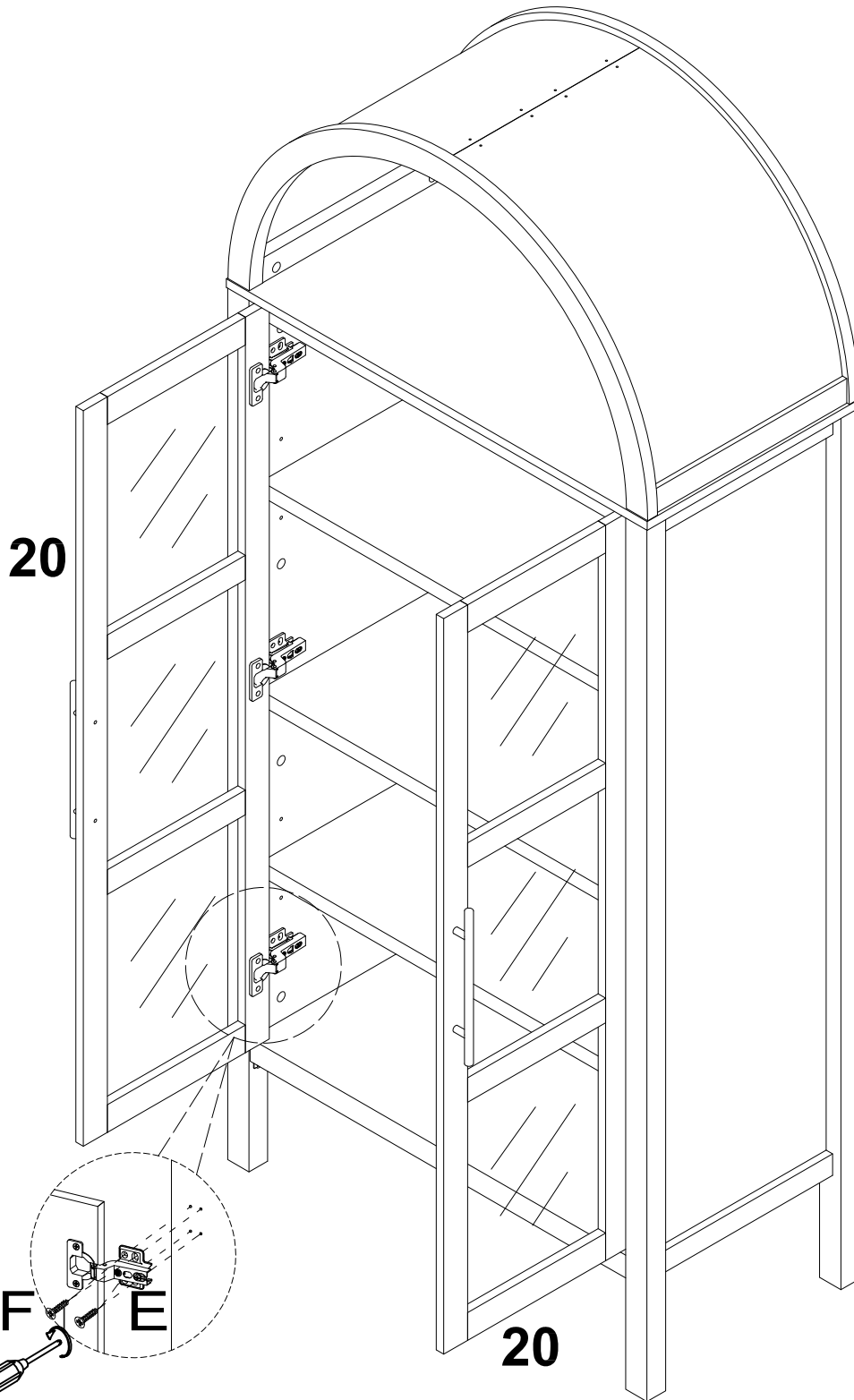


24

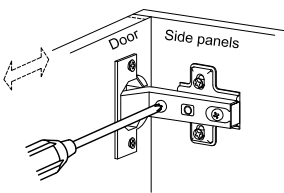


ASSEMBLY INSTRUCTIONS

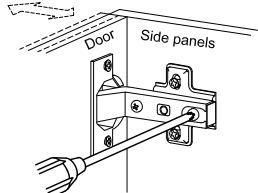
25



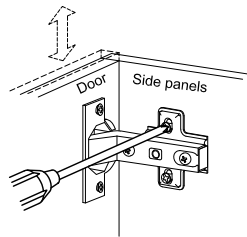
Concealed hinges are three-way adjustable.



Horizontal
by screw adjustment



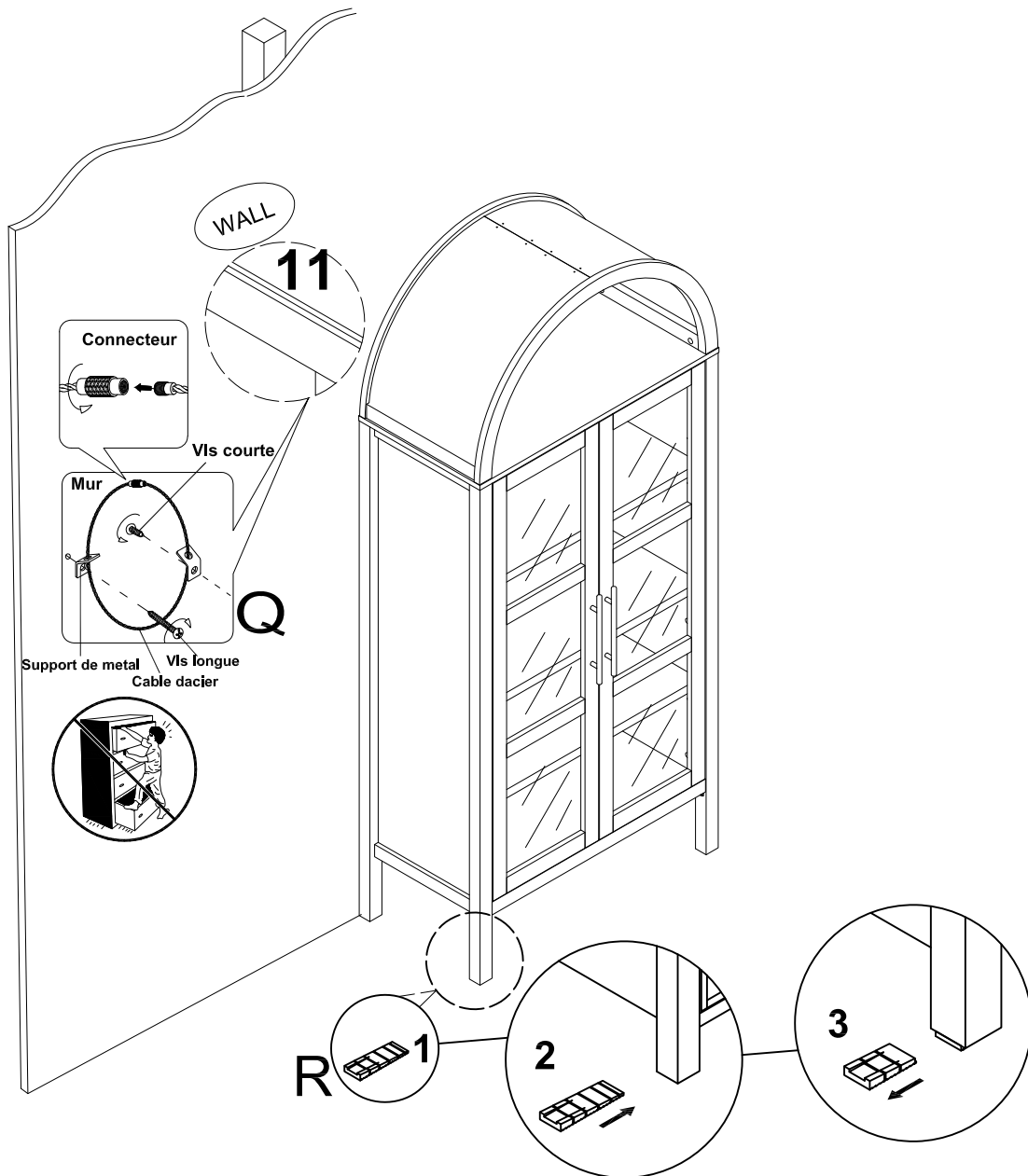
In-and-Out
by loosening the hinge-arm
mounting screw or via cam
adjustment



Vertical
Via slots in the mounting
plate or via cam
adjustment

ASSEMBLY INSTRUCTIONS

26



NOTE: IF THE UNIT IS PLACED ON AN UNLEVEL SURFACE, PLACE A LEVELER UNDERNEATH ONE FOOT UNTIL THE UNIT IS LEVEL. BREAK OFF ANY PROTRUDING SEGMENTS.

NOTA: EN CASO DE QUE EL DISPOSITIVO ESTÉ COLOCADO SOBRE UNA SUPERFICIE DESNIVELADA, PONGA UN NIVELADOR POR DEBAJO DE UNA PATA DE DISPOSITIVO HASTA QUE EL CUAL ESTÉ NIVELADO. ROMPA CUALQUIERA DE LOS SEGMENTOS QUE SOBRESALEN.

REMARQUE: SI L'UNITE EST PLACEE SUR UNE SURFACE DE NON-NIVEAU, PLACEZ UN NIVELEUR SUR UNE PIE JUSQUE'A CETTE UNITE EST PLACEE, ROMPREZ TOUT SEGMENTS SAILLANTS.

提醒：如果产品无法放水平，请在某一条腿下放置楔形脚垫。待家具放置水平之后，敲掉多余的部分

! WARNING !

The use of the included tipping restraint may reduce, but not eliminate, the risk of furniture tip over. Follow the instructions on the plastic bag for proper installation.

¡ADVERTENCIA!

El uso del dispositivo diseñado para evitar que el mueble se dé vuelta reduce pero no elimina el riesgo de que eso pueda suceder. Siga las instrucciones que hay en la bolsa plástica para la instalación adecuada.

! AVERTISSEMENT !

L'utilisation du système anti-bascule peut réduire, mais n'élimine pas, les risques de renversement du meuble. Suivez les instructions se trouvant sur le sac en plastique pour l'installer correctement.

! 警告 !

使用防倾倒装置只能降低但不能完全避免倾倒风险,安装此装置时请按照包装袋上的说明。

ASSEMBLY INSTRUCTIONS

27



ASSEMBLY COMPLETED



Please ensure the furniture rests on an even and flat surface. If the product wobbles or feels loose, double-check all bolts and/or screws are properly tightened and secured.



Keep this handy!

Please retain this instruction manual and any order-related information for future reference.



Lift, don't drag!

To avoid damage to product please always LIFT the product when transporting or adjusting the placement.

This product is intended for RESIDENTIAL USE ONLY and not for commercial use.