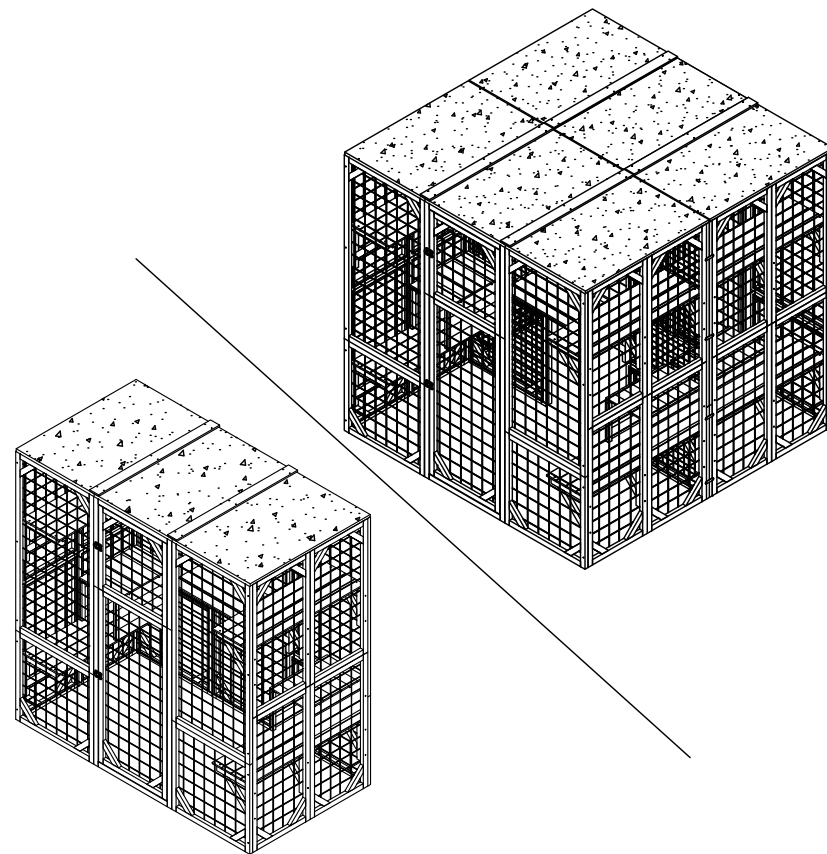


ASSEMBLY INSTRUCTIONS
PLEASE RETAIN THESE INSTRUCTIONS FOR FUTURE USE



TIME ASSEMBLE : 30-90 minutes



NUMBER OF PERSON: 2

Greeting!
So here I am

your new pet house

- ▶ Thanks for letting me be a home for your furry friend(s).
- ▶ They'll be cozy and protected from the weather when they're with me.
- ▶ Just remember to take care of me too, so I can last a long time.
- ▶ When you first get me, you might smell a funny smell. Don't worry it's not dangerous.
- ▶ Just let me air out for a few days and the smell will go away.
- ▶ Be careful when you're putting me together because some of my parts can be sharp or heavy.
- ▶ Make sure to start by loosely putting in screws, and then tighten them all before using me.
- ▶ If you notice anything broken or missing, stop using me until it's fixed. and please follow the instructions from the maker so your warranty stays good.
- ▶ You can use me both inside and outside, but if you put me outside, make sure to give me an extra cover to keep me from getting moldy.
- ▶ I like to be on a level surface so my doors work smoothly.
- ▶ Keep me away from fire and dangerous chemicals.
- ▶ Clean me with a damp, soapy sponge without corrosive agents.
- ▶ Dry me with a soft, clean, dry cloth.
- ▶ Do not use a high pressure cleaner on me.
- ▶ Do not use bleach, acids, solvents, or abrasive cleaners on me.
- ▶ Check that all my bolts, screws, and knobs are tight every 90 days.



HELP CENTER

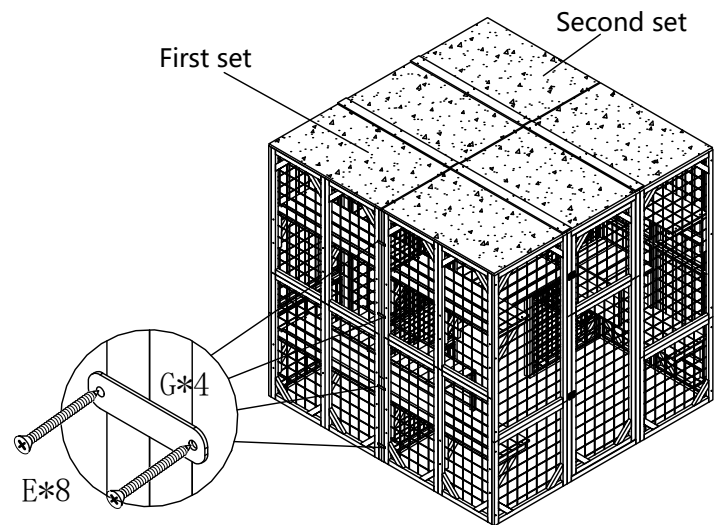
- ▶ Your full satisfaction is our **FIRST** priority
- ▶ We hope you enjoy it and have a good shopping experience.
- ▶ We are committed to resolve any situation when it does not meet your expectations.
- ▶ Please feel free to contact us through order detail page, we will get back to you and solve them within 24 hours.



WARNING:

Manufacturer and seller expressly disclaim any liability for personal injury, property damage or loss, whether direct, indirect, or incidental, resulting from incorrect attachment, improper use, inadequate maintenance or neglect of this.

G 4PCS E M3*16 8PCS

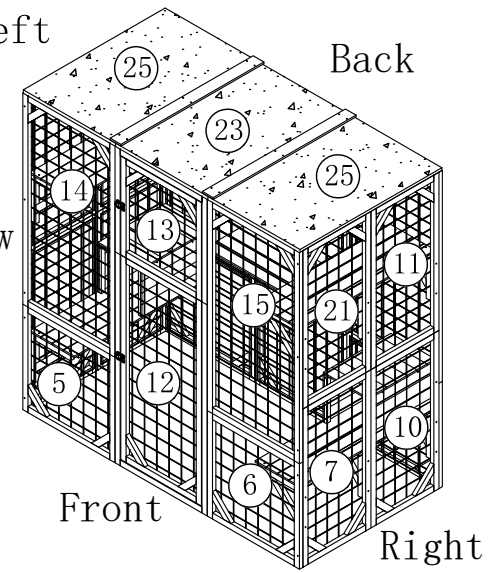


Fix(G)*4 Metal connector with screws.

STEP 47

Left Back

Front View



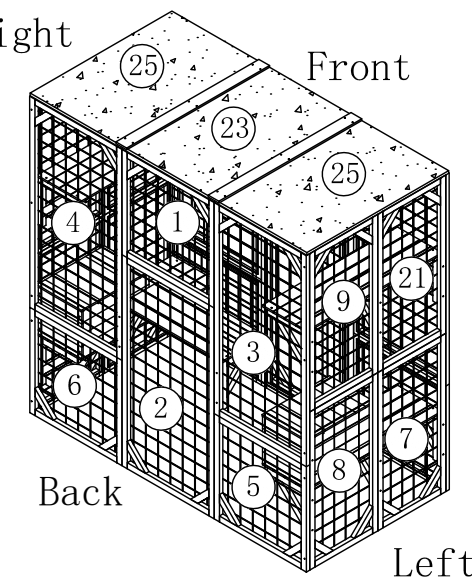
Front

Right

Right

Front

Back View



Back

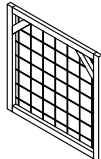
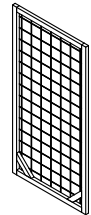
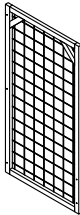
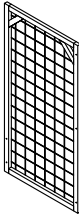
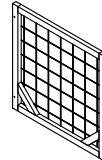
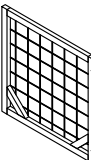
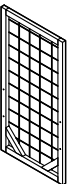
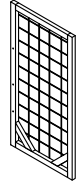
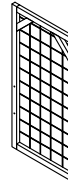
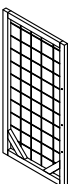
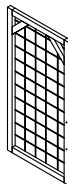
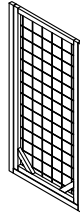
Left

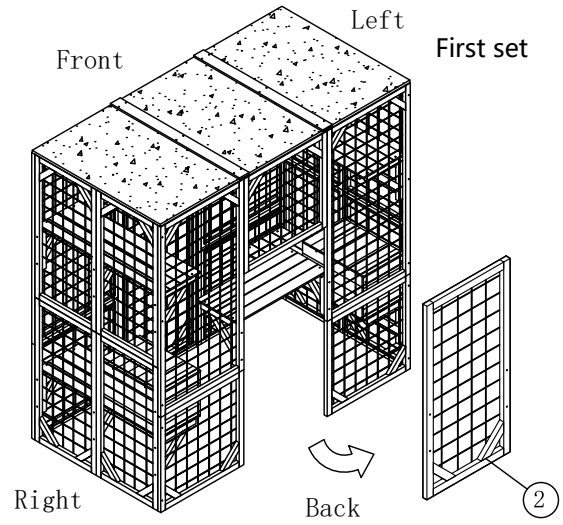
Carton Box 1/2: ① ② ③ ④ ⑤ ⑥ ⑦ ⑧ ⑨ ⑩ , Hardware
 ⑪ ⑫ ⑬ ⑭ ⑮ ⑯ ⑰ ⑱ ⑲ ⑳
 Carton Box 2/2: ㉑ ㉒ ㉓ ㉔ ㉕

ASSEMBLY INSTRUCTION

Tool Required:  Electric Drill  Phillips Screwdriver

CARTON 1/2

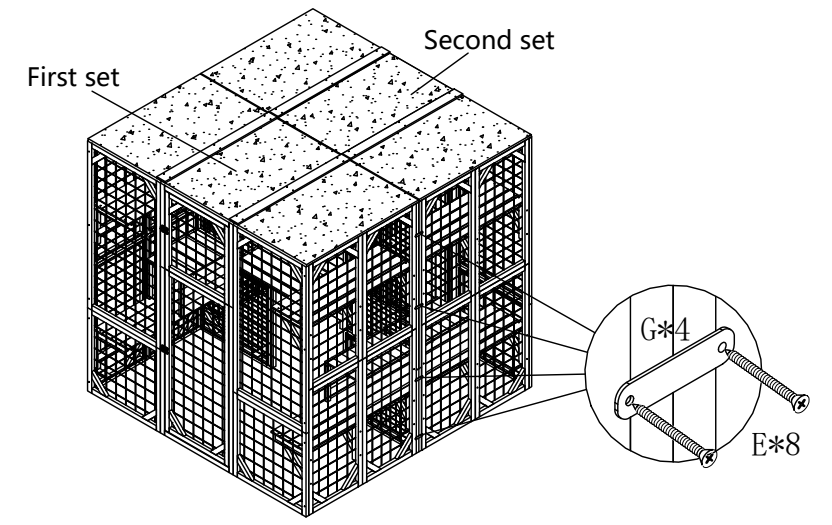
		
① Back middle upper panel	② Back middle down panel	③ Back left upper panel
		
④ Back right upper panel	⑤ *2 Down panel	⑥ *2 Down panel
		
⑦ *2 Down panel	⑧ Left down panel	⑨ Left upper panel
		
⑩ Right down panel	⑪ Right upper panel	⑫ Front middle down panel



Take off ② Back middle down panel from first set

STEP 45

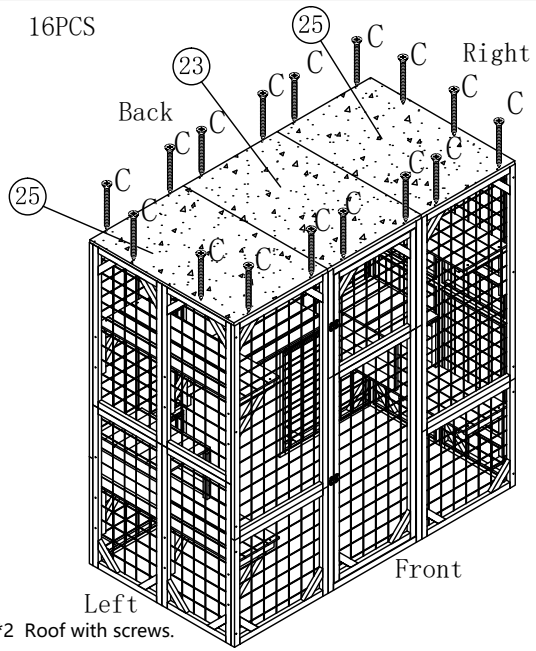
G  4PCS E M3*16 8PCS



Connect the two set together, then fix(G*4) Metal connector with screws.

STEP 46

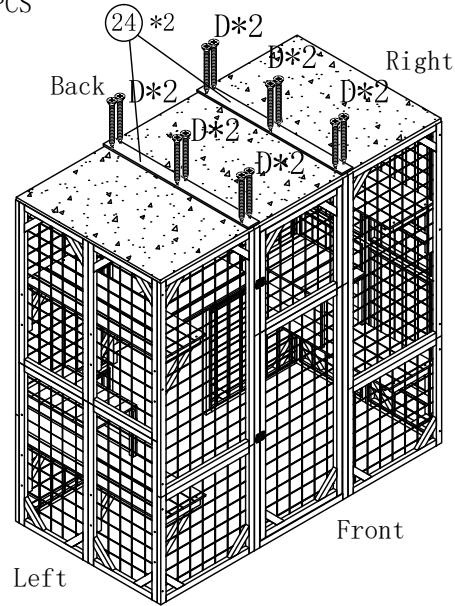
C M3.5*35 16PCS



Fix ⑳ Roof, ㉕*2 Roof with screws.

STEP 43

D M3.0*25 12PCS



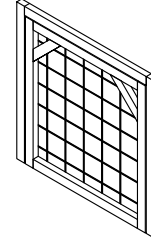
Fix ㉔*2 Roof connect board with screws.

STEP 44

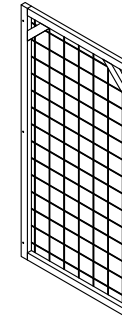
ASSEMBLY INSTRUCTION

Tool Required: Electric Drill Phillips Screwdriver

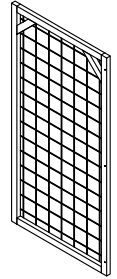
CARTON 1/2



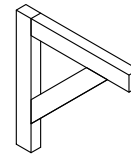
⑬ Front middle upper panel



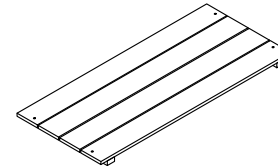
⑭ Front left upper panel



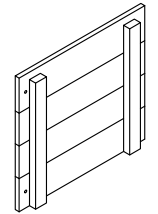
⑮ Front right upper panel



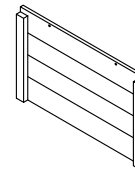
⑯*14 Platform supporter



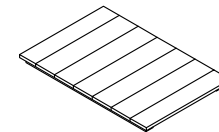
⑰ Platform panel



⑱*2 Back panel of small house



⑲*4 Side panel of small house

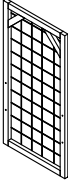
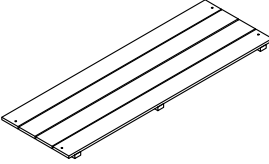
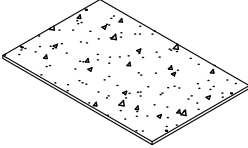
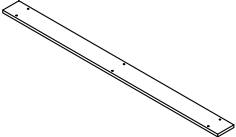
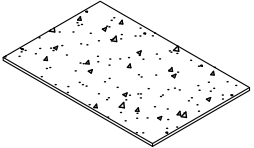


⑳*2 Roof of small house

ASSEMBLY INSTRUCTION








Tool Required:  Electric Drill  Phillips Screwdriver

CARTON 2/2

		
②1*2 Upper panel	②2*4 Platform panel	②3 Roof
		
②4*2 Roof connect board	②5*2 Roof	

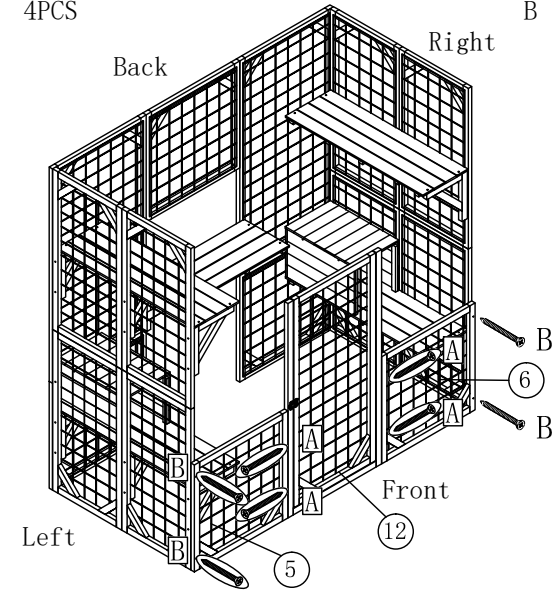
CARTON 1/2

Parts Description

	A M3. 5*60	43PCS+1
	B M3. 5*45	48PCS+1
	C M3. 5*35	20PCS+1
	D M3*25	48PCS+1
	E M3*16	24PCS+1
	F	2PCS
	G	8PCS

A M3. 5*60 4PCS

B M3. 5*45 4PCS

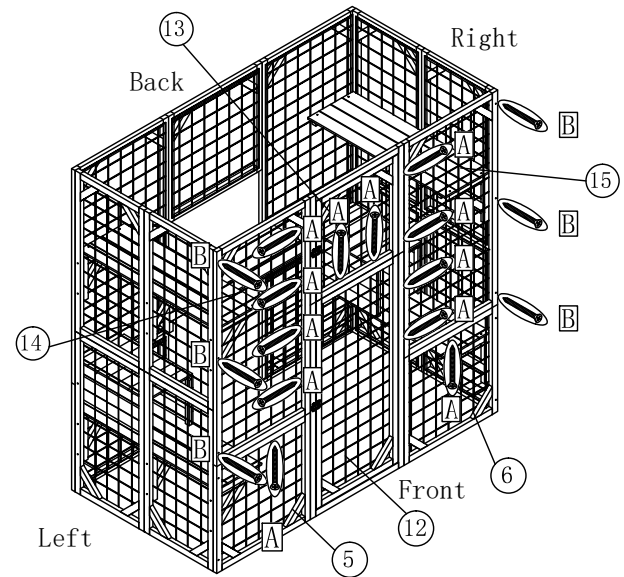


Fix ⑤ Down panel, ⑥ Down panel, ⑫ Front middle down panel with screws as front down panel

STEP 41

A M3. 5*60 12PCS

B M3. 5*45 6PCS

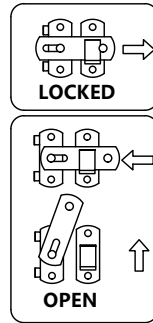
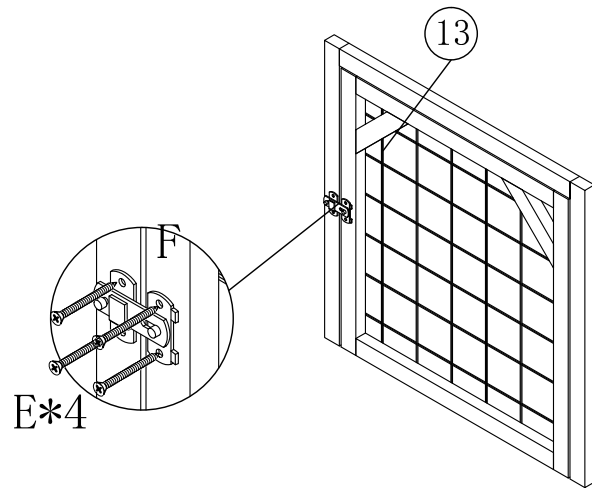


Fix ⑬ Front middle upper panel, ⑭ Front left upper panel, ⑮ Front right upper panel and ⑤ Down panel, ⑥ Down panel, ⑫ Front middle down panel together as the whole front panel, and fixed with screws.

STEP 42

E M3*16 4PCS

F  1PC

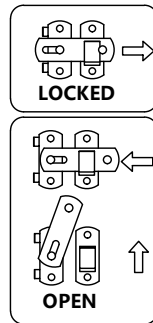
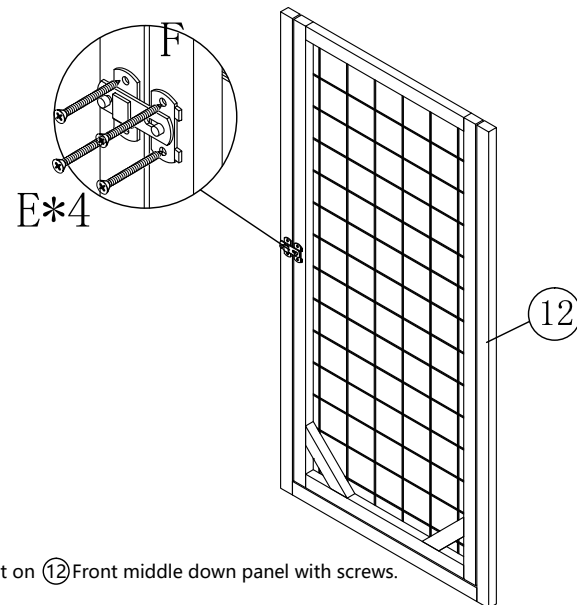


Fix (F) Bolt on ⑬ Front middle upper panel with screws.

STEP 39

E M3*16 4PCS

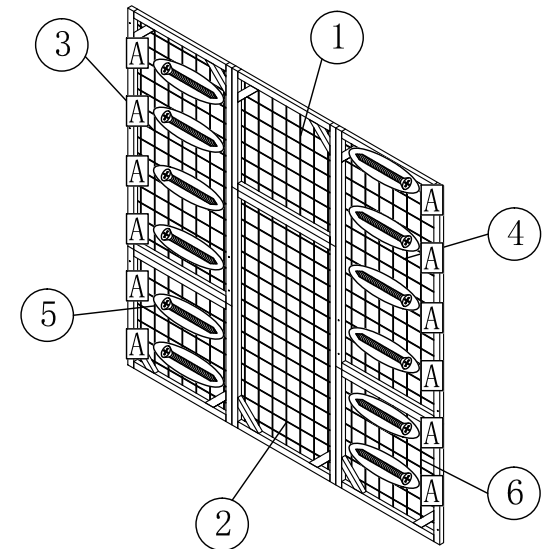
F  1PC



Fix (F) Bolt on ⑫ Front middle down panel with screws.

STEP 40

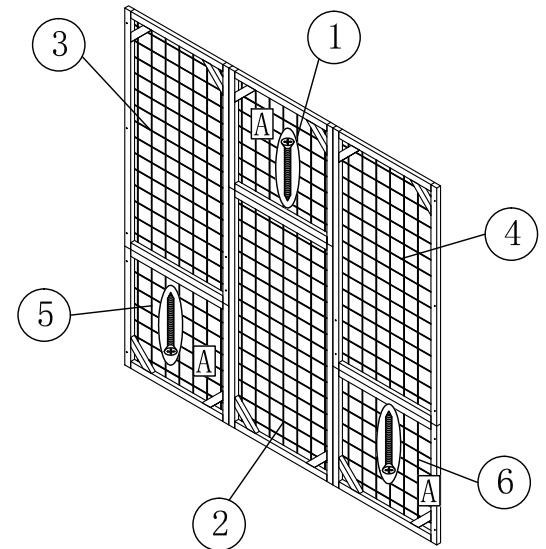
A M3.5*60 12PCS



Attach ① Back middle upper panel, ② Back middle down panel, ③ Back left upper panel, ④ Back right upper panel, ⑤ Down panel, ⑥ Down panel together with screws.

STEP 1

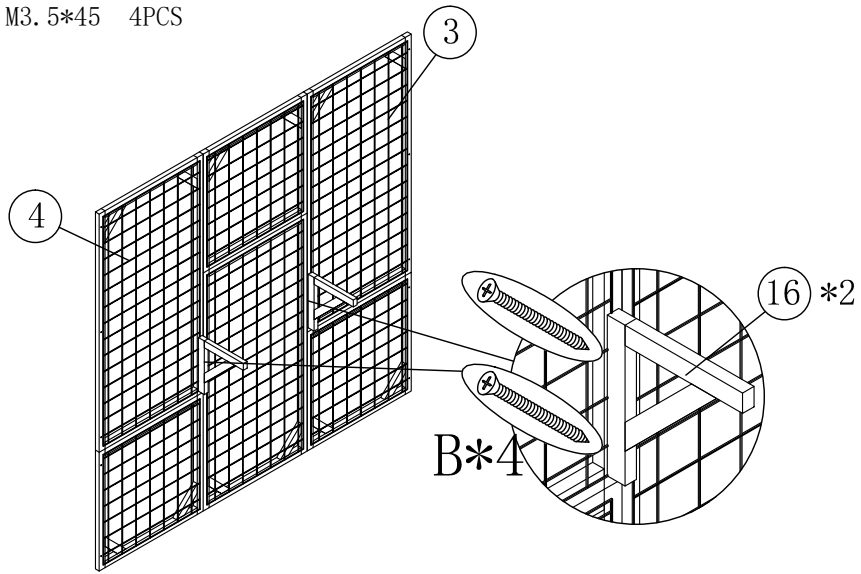
A M3.5*60 3PCS



Attach ① Back middle upper panel, ② Back middle down panel, ③ Back left upper panel, ④ Back right upper panel, ⑤ Down panel, ⑥ Down panel together with screws.

STEP 2

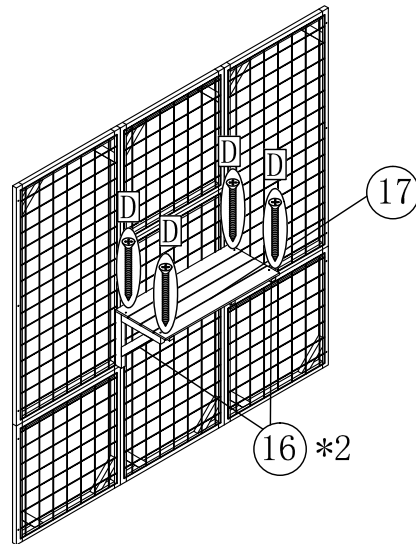
B M3.5*45 4PCS



Fix (16) *2 Platform supporter on (3) Back left upper panel and (4) Back right upper panel with screws.

STEP 3

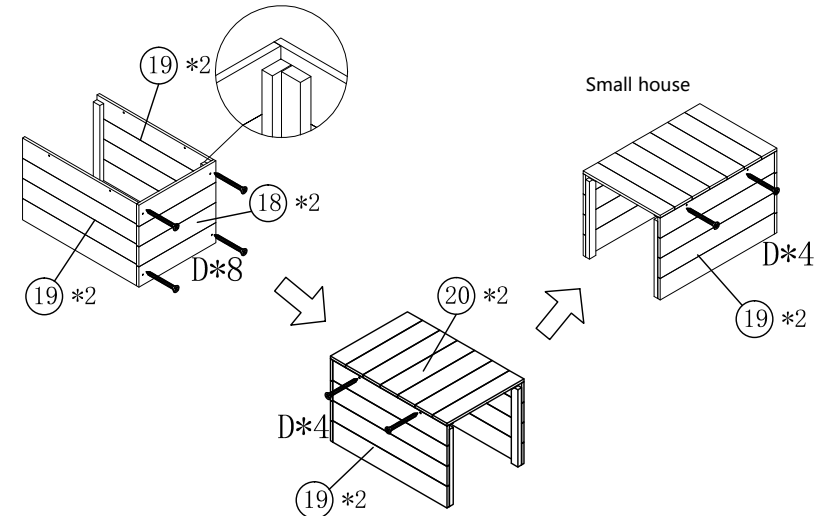
D M3*25 4PCS



Fix (17) Platform panel on (16) *2 Platform supporter with screws.

STEP 4

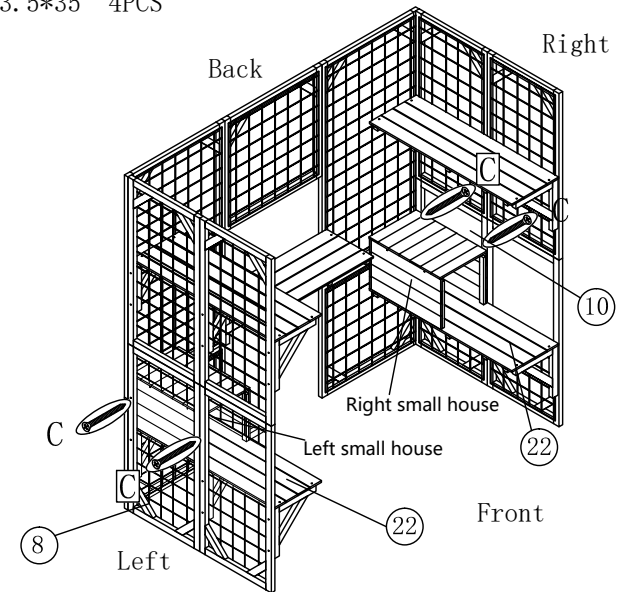
D M3*25 16PCS



Fix (18)*2 Back panel of small house, (19)*4 Side panel of small house, (20)*2 Roof of small house with screws as two small house.

STEP 37

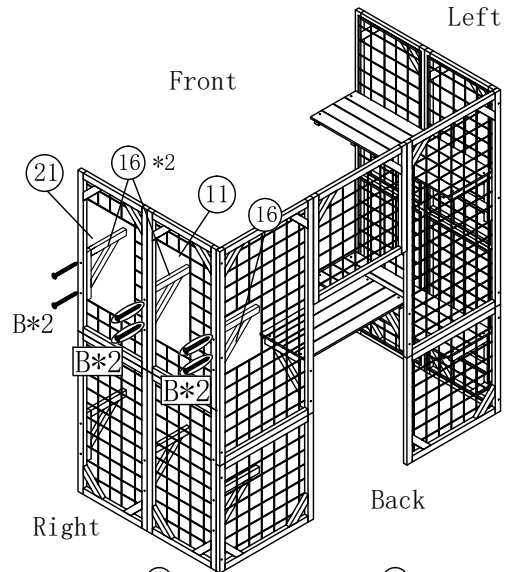
C M3.5*35 4PCS



Put the left small house on the Left of (22) Platform panel and screw it through (8) Left down panel;
Put the right small house on the right of (22) Platform panel and screw it through (10) Right down panel;

STEP 38

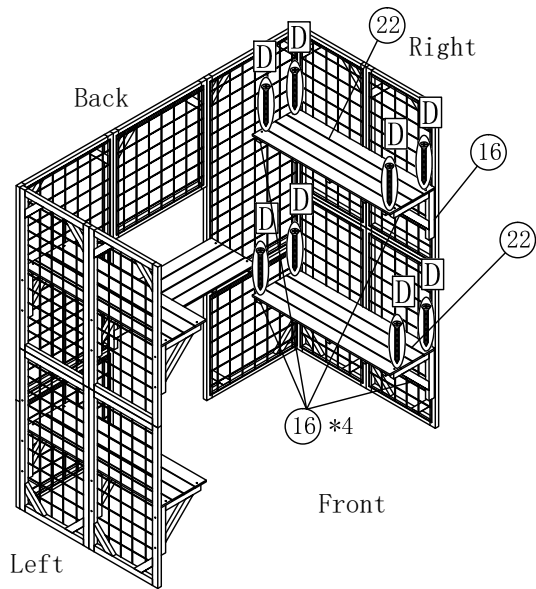
B M3.5*45 6PCS



Fix (16)*3 Platform supporter on (11) Right upper panel and (21) Upper panel with screws.

STEP 35

D M3*25 8PCS

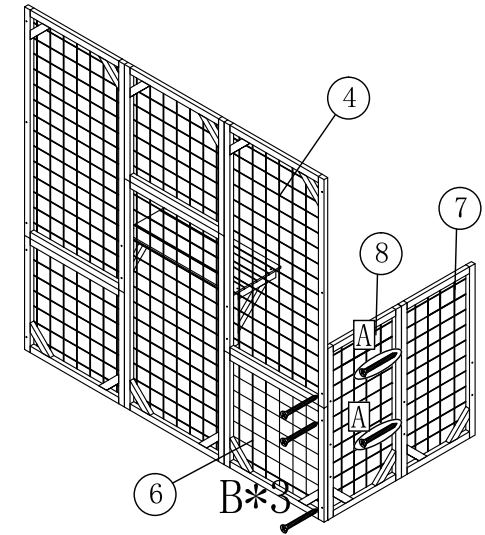


Fix (22)*2 Platform panel on (16)*4 Platform supporter with screws.

STEP 36

A M3.5*60 2PCS

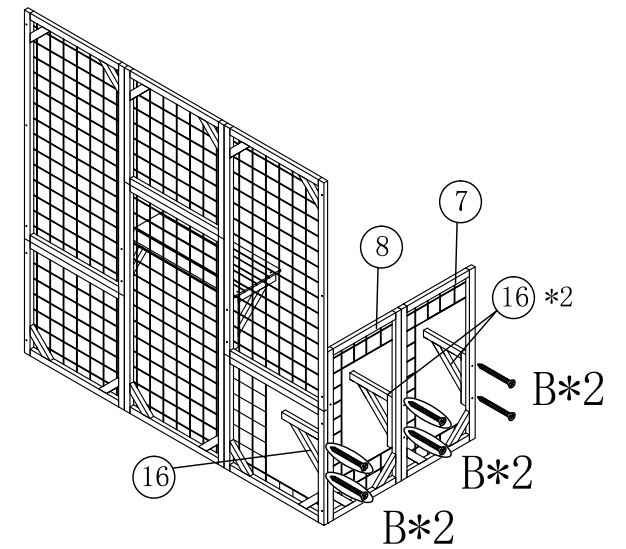
B M3.5*45 3PCS



Fix (8) Left down panel on (4) Back right upper panel and (6) Down panel with screws, then fix (7) Down panel on (8) Left down back panel with screws.

STEP 5

B M3.5*45 6PCS

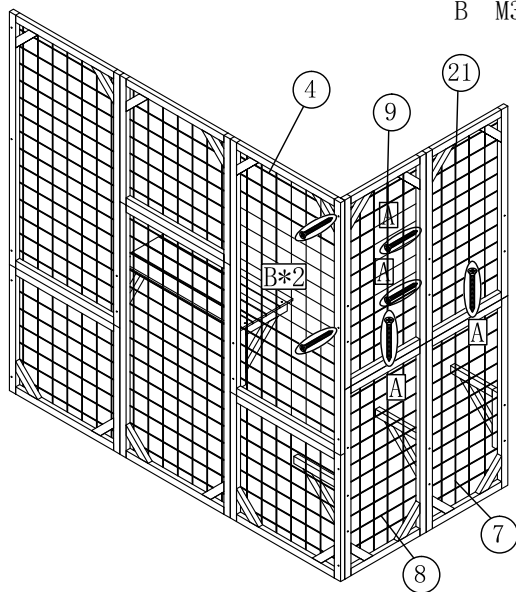


Fix (16)*3 Platform supporter on (7) Down panel and (8) Left down panel with screws.

STEP 6

A M3. 5*60 4PCS

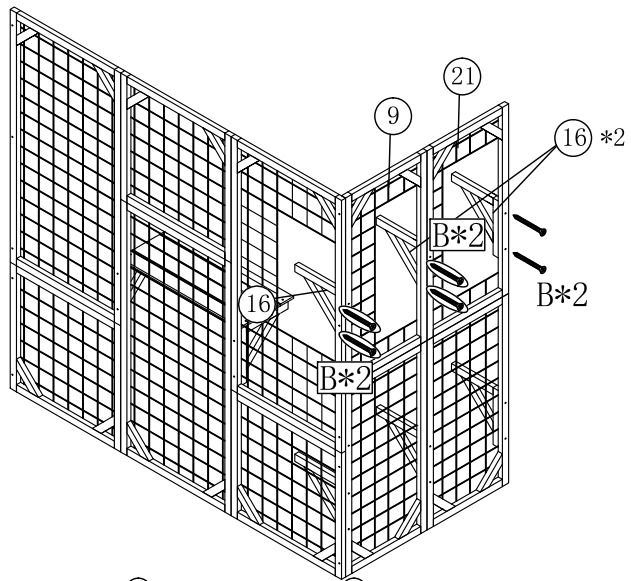
B M3. 5*45 2PCS



Fix ⑨ Left upper panel on ④ Back right upper panel and ⑧ Left down panel with screws, then fix ②① Upper panel on ⑦ Down panel and ⑨ Left upper panel with screws.

STEP 7

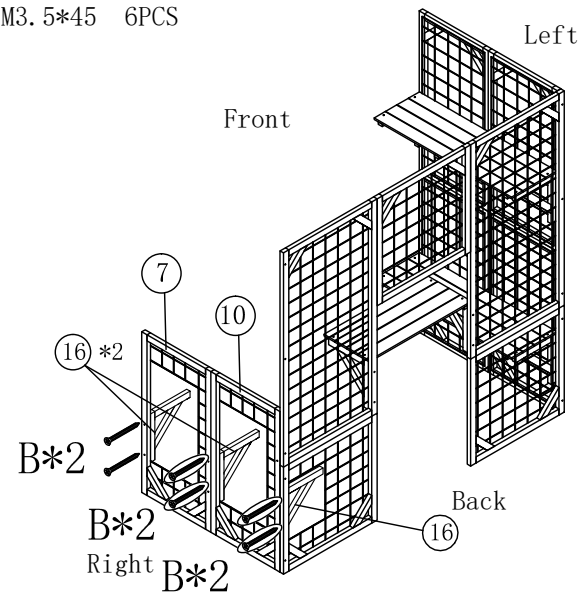
B M3. 5*45 6PCS



Fix ⑩⑥*3 Platform supporter on ⑨ Left upper panel and ②① Upper panel with screws.

STEP 8

B M3. 5*45 6PCS

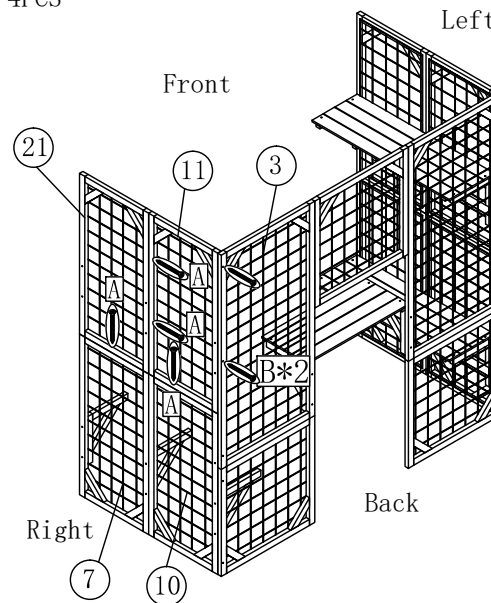


Fix ⑩⑥*3 Platform supporter on ⑦ Down panel and ⑩ Right down panel with screws.

STEP 33

A M3. 5*60 4PCS

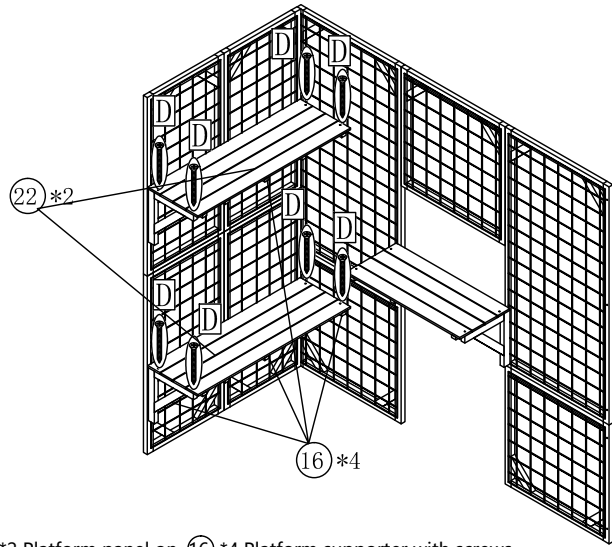
B M3. 5*45 2PCS



Fix ⑩① Right upper panel on ③ Back left upper panel and ⑩ Right down panel with screws, then fix ②① Upper panel on ⑦ Down panel and ⑩ Right upper panel with screws.

STEP 34

D M3*25 8PCS

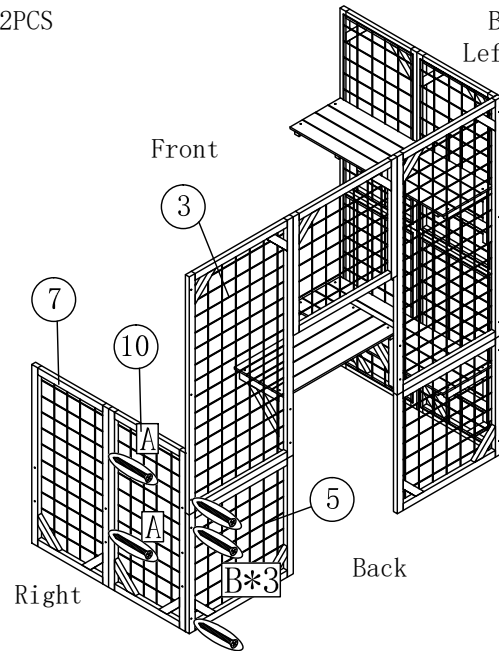


Fix ②②*2 Platform panel on ①⑥*4 Platform supporter with screws.

STEP 31

A M3.5*60 2PCS

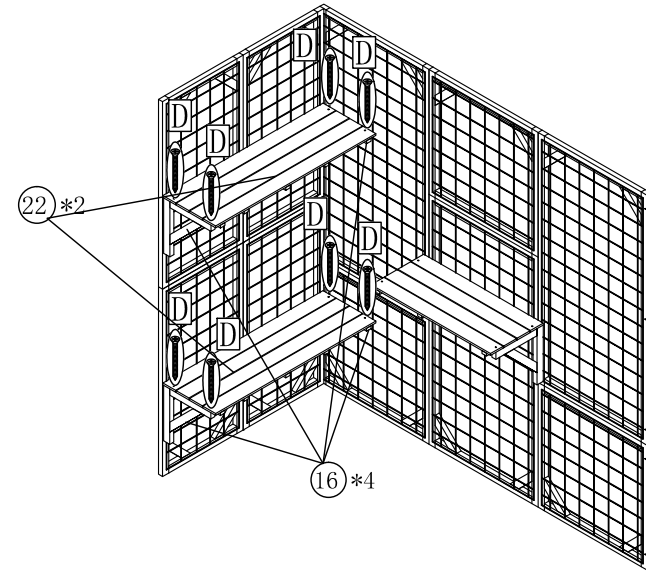
B M3.5*45 3PCS
Left



Fix ⑩ Right down panel on ③ Back left upper panel and ⑤ Down panel with screws, then fix ⑦ Down panel on ⑩ Right down panel with screws.

STEP 32

D M3*25 8PCS

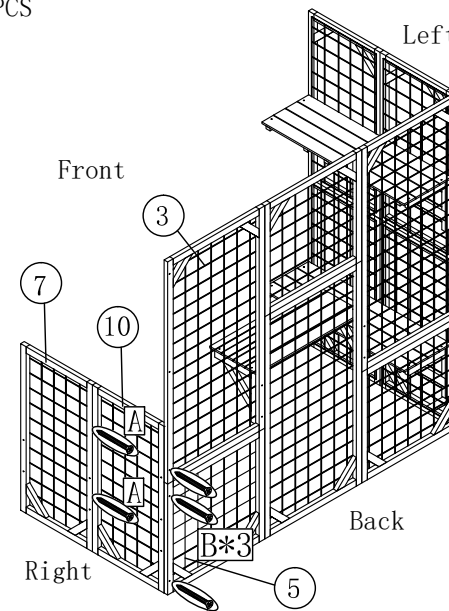


Fix ②②*2 Platform panel on ①⑥*4 Platform supporter with screws.

STEP 9

A M3.5*60 2PCS

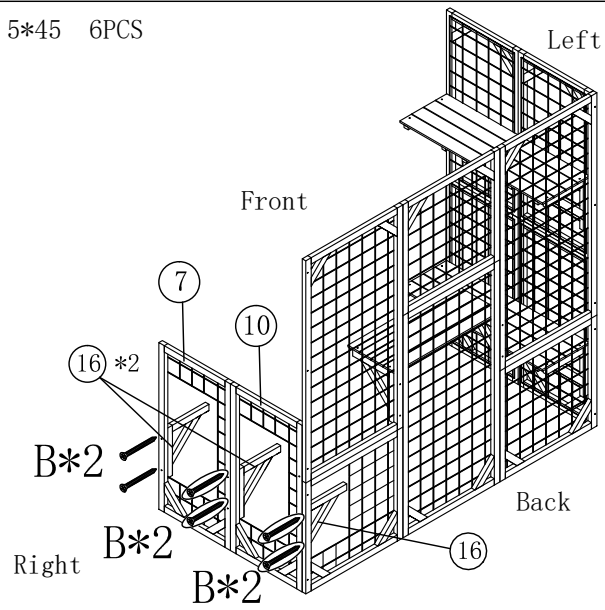
B M3.5*45 3PCS
Left



Fix ⑩ Right down panel on ③ Back left upper panel and ⑤ Down panel with screws, then fix ⑦ Down panel on ⑩ Right down panel with screws.

STEP 10

B M3.5*45 6PCS

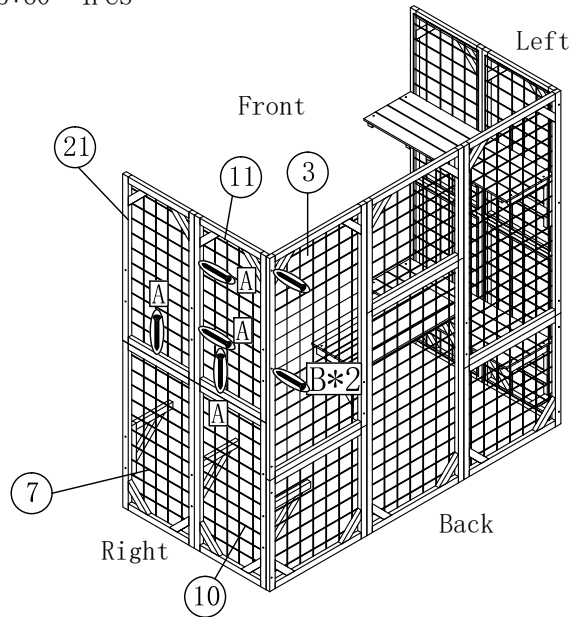


Fix ⑬ *3 Platform supporter on ⑦ Down panel and ⑩ Right down panel with screws.

STEP 11

A M3.5*60 4PCS

B M3.5*45 2PCS

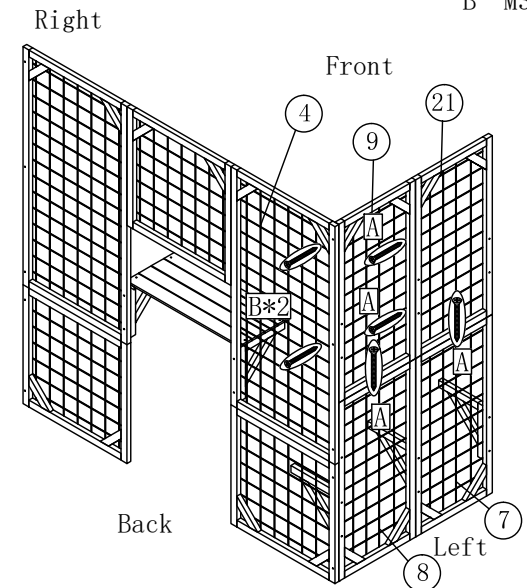


Fix ⑪ Right upper panel on ③ Back left upper panel and ⑩ Right down panel with screws, then fix ⑫ Upper panel on ⑦ Down panel and ⑪ Right upper panel with screws.

STEP 12

A M3.5*60 4PCS

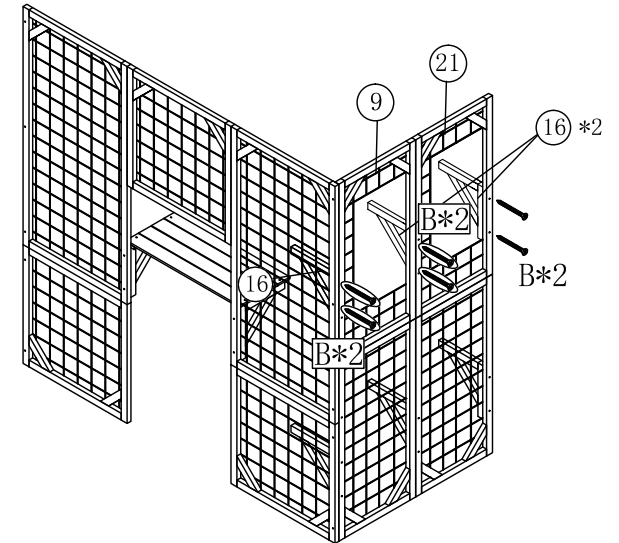
B M3.5*45 2PCS



Fix ⑨ Left upper panel on ④ Back right upper panel and ⑧ Left down panel with screws, then fix ⑫ Upper panel on ⑦ Down panel and ⑨ Left upper panel with screws.

STEP 29

B M3.5*45 6PCS

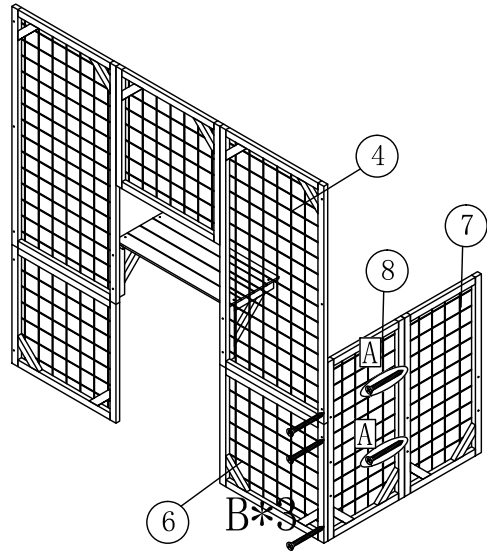


Fix ⑬ *3 Platform supporter on ⑨ Left upper panel and ⑫ Upper panel with screws.

STEP 30

A M3*60 2PCS

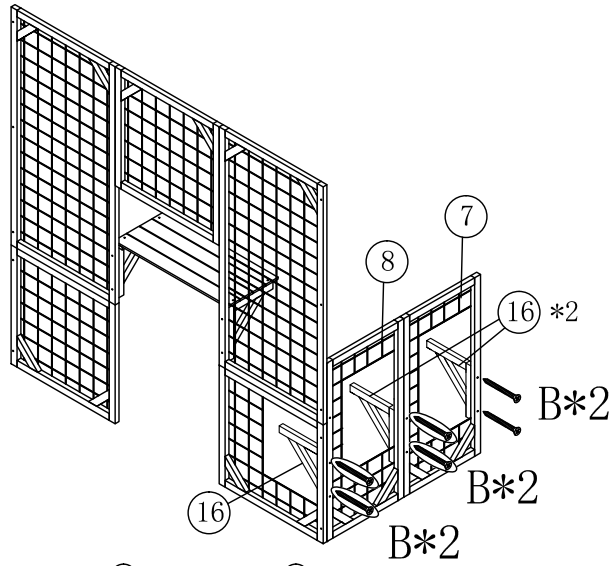
B M3.5*45 3PCS



Fix ⑧ Left down panel on ④ Back right upper panel and ⑥ Down panel with screws, then fix ⑦ Down panel on ⑧ Left down back panel with screws.

STEP 27

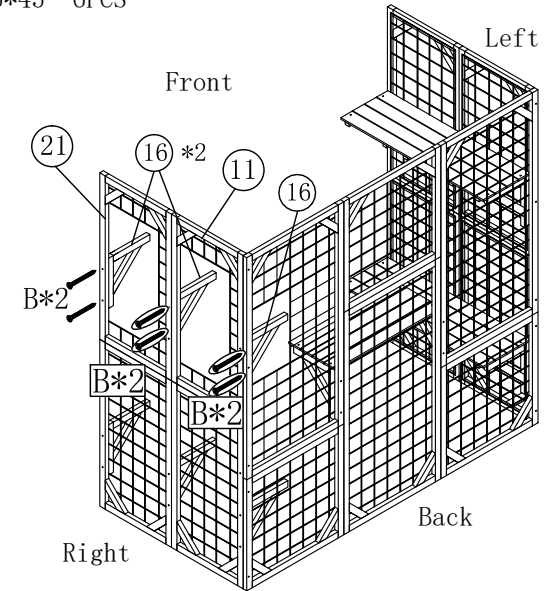
B M3.5*45 6PCS



Fix ⑩ *3 Platform supporter on ⑦ Down panel and ⑧ Left down panel with screws.

STEP 28

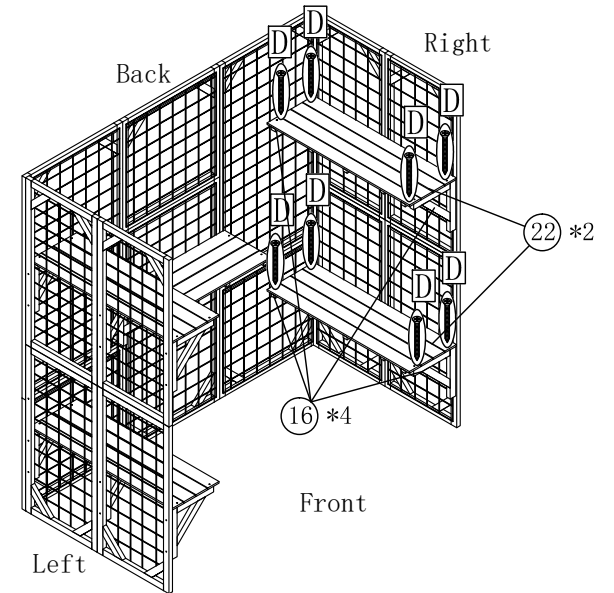
B M3.5*45 6PCS



Fix ⑩ *3 Platform supporter on ⑪ Right upper panel and ⑫ Upper panel with screws.

STEP 13

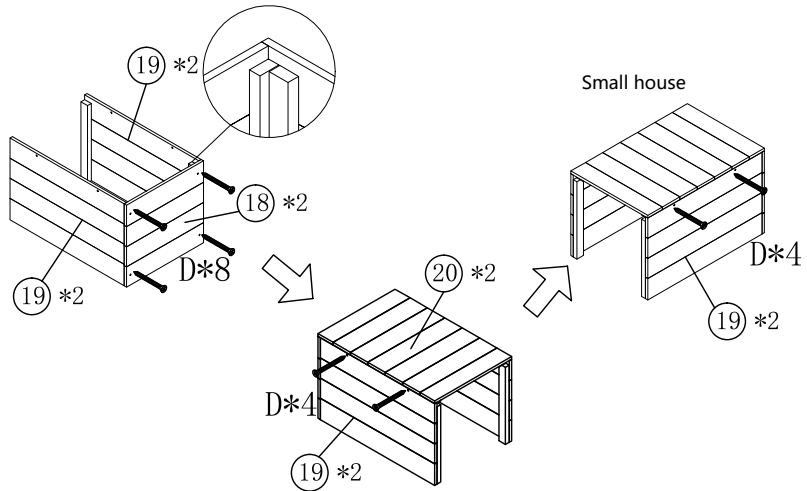
D M3*25 8PCS



Fix ⑬ *2 Platform panel on ⑭ *4 Platform supporter with screws.

STEP 14

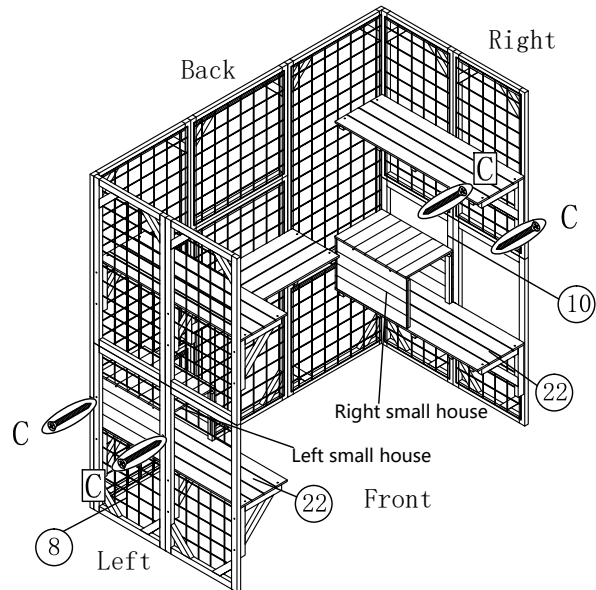
D M3*25 16PCS



Fix ⑱ *2 Back panel of small house, ⑲ *4 Side panel of small house, ⑳ *2 Roof of small house with screws as two small house.

STEP 15

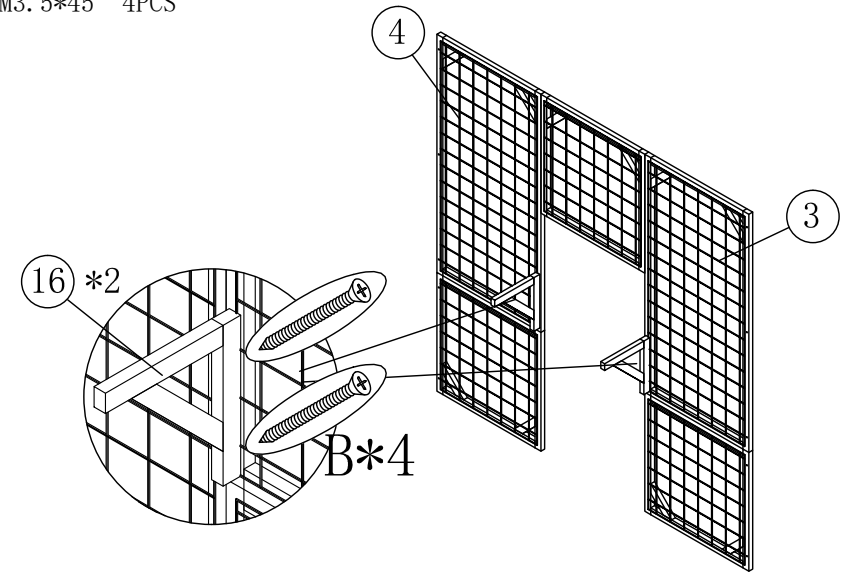
C M3.5*35 4PCS



Put the left small house on the Left of ⑳ Platform panel and screw it through ⑧ Left down panel;
Put the right small house on the right of ⑳ Platform panel and screw it through ⑩ Right down panel;

STEP 16

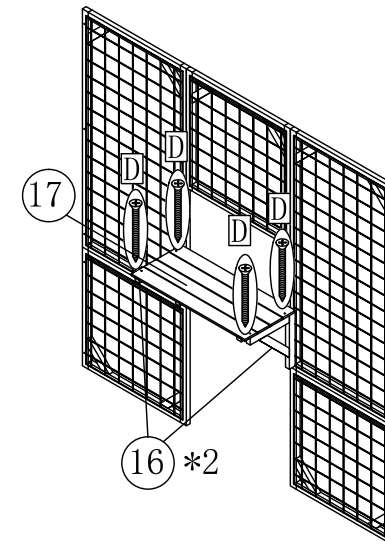
B M3.5*45 4PCS



Fix ⑯ *2 Platform supporter on ③ Back left upper panel and ④ Back right upper panel with screws.

STEP 25

D M3*25 4PCS

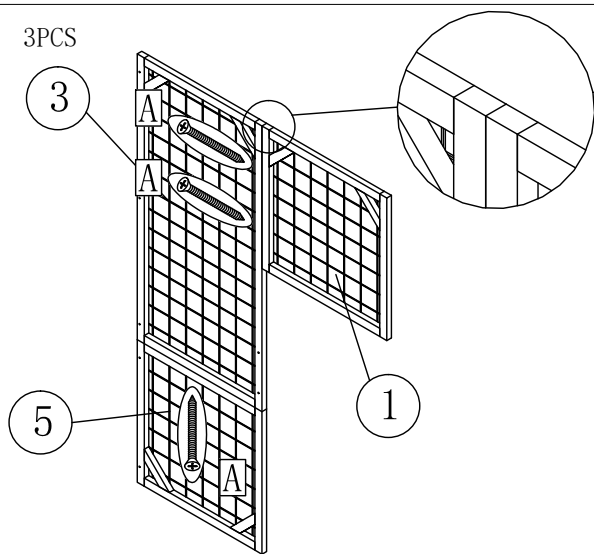


Fix ⑰ Platform panel on ⑯ *2 Platform supporter with screws.

STEP 26

ASSEMBLY INSTRUCTIONS FOR TWO SETS CONNECTION

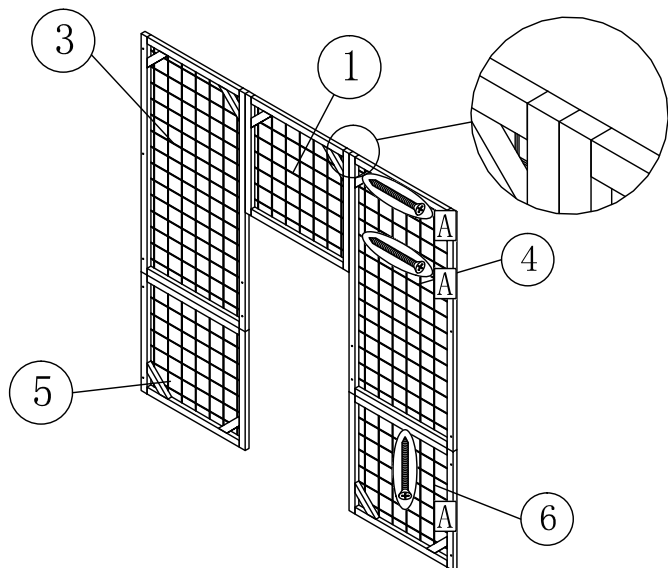
A M3.5*60 3PCS



Attach ① Back middle upper panel , ③ Back left upper panel , ⑤ Down panel with screws.

STEP 23

A M3.5*60 4PCS

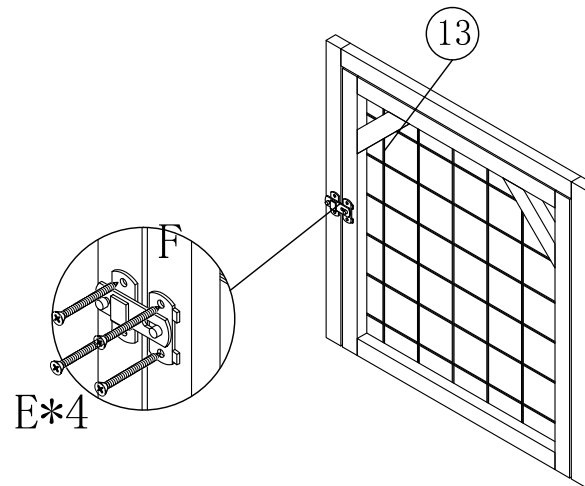


Fix ④ Back right upper panel , ⑥ Down panel on ② Back middle down panel with screws as the back panel.

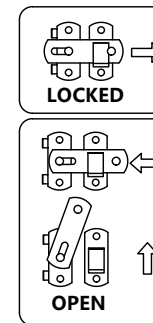
STEP 24

E M3*16 4PCS

F 1PC



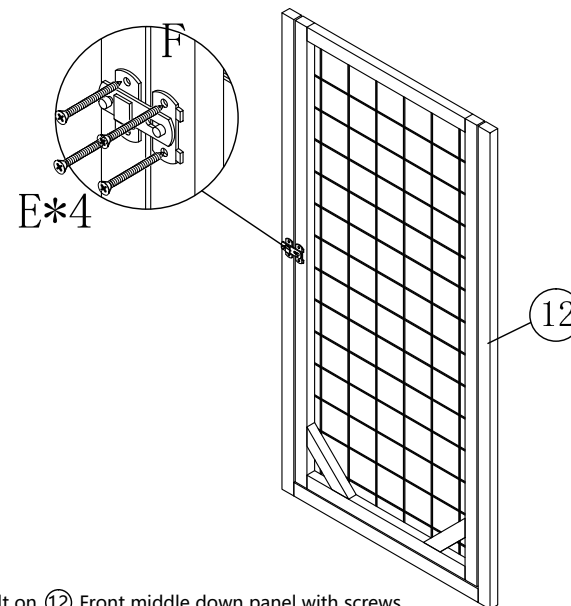
Fix (F)Bolt on ⑬ Front middle upper panel with screws.



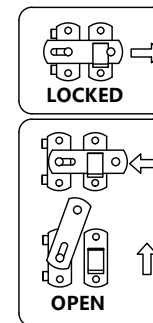
STEP 17

E M3*16 4PCS

F 1PC



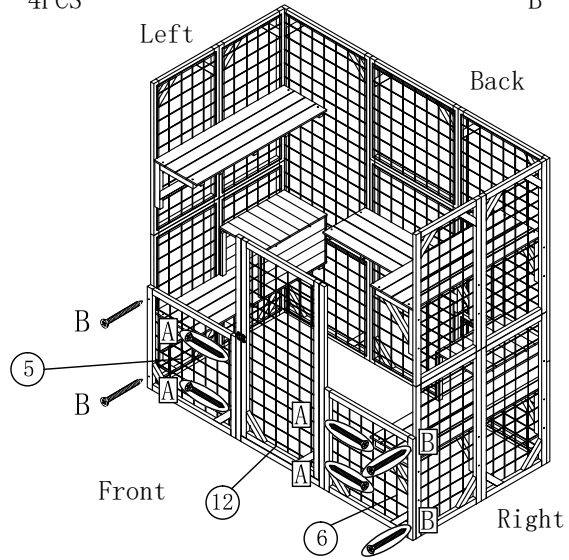
Fix (F)Bolt on ⑫ Front middle down panel with screws.



STEP 18

A M3.5*60 4PCS

B M3.5*45 4PCS

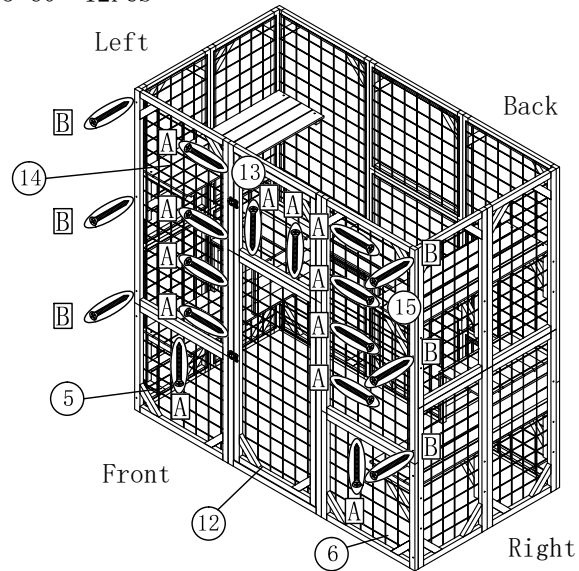


Fix ⑤ Down panel, ⑥ Down panel, ⑫ Front middle down panel with screws as front down panel

STEP 19

A M3.5*60 12PCS

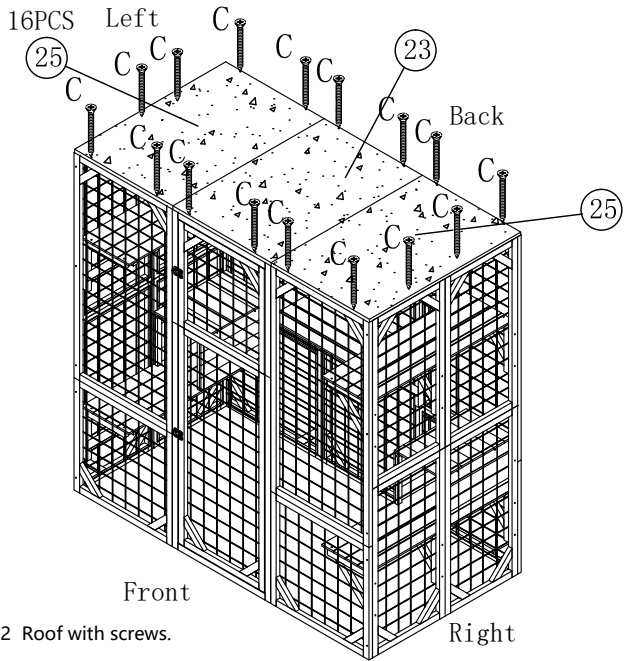
B M3.5*45 6PCS



Fix ⑬ Front middle upper panel, ⑭ Front left upper panel, ⑮ Front right upper panel and ⑤ Down panel, ⑥ Down panel, ⑫ Front middle down panel together as the whole front panel, and fix with screws.

STEP 20

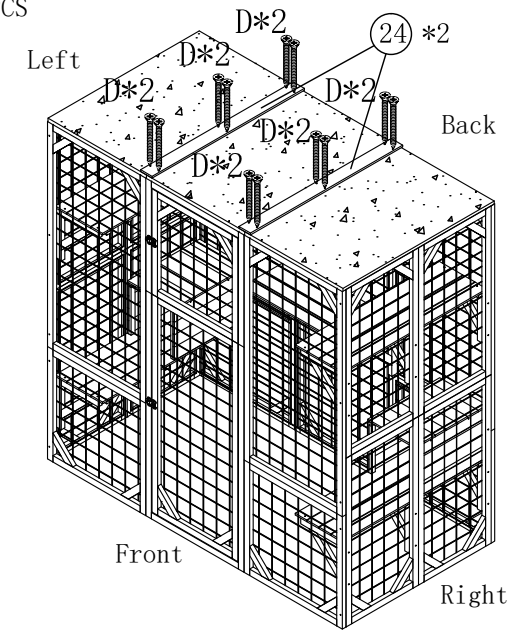
C M3.5*35 16PCS



Fix ⑳ Roof, ㉕*2 Roof with screws.

STEP 21

D M3*25 12PCS



Fix ㉔ *2 Roof connect board with screws.

STEP 22