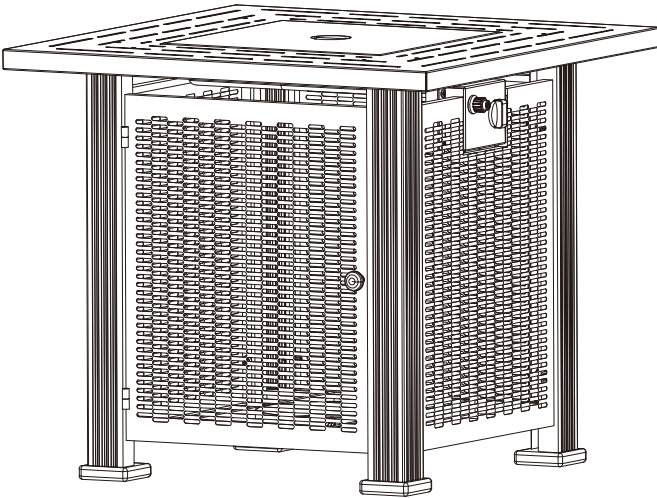


# Value Fire Table

Item#  
Model#



**! DANGER**

**FIRE OR EXPLOSION HAZARD**

If you smell gas:

- Shut off gas to the appliance.
- Extinguish any open flame.
- If odor continues, leave the area immediately.
- After leaving the area, call your gas supplier or fire department.

Failure to follow these instructions could result in fire or explosion, which could cause property damage, personal injury, or death.

**! WARNING**

Do not store or use gasoline or other flammable vapors and liquids in the vicinity of this or any other appliance. An LP-cylinder not connected for use shall not be stored in the vicinity of this or any other appliance.

**! WARNING:** If the information in this manual is not followed exactly, a fire or explosion may result causing property damage, personal injury, or loss of life.

**! WARNING** For outdoor use only. Installation and service must be performed by a qualified installer, service agency, or the gas supplier.

**! WARNING**

Improper installation, adjustment, alteration, service or maintenance can cause injury or property damage. Refer to the owner's information manual provided with this appliance. For assistance or additional information consult a qualified installer, services agency or the gas supplier.

**INSTALLER:**  
Leave this manual with the appliance.  
**CONSUMER:**  
Retain this manual for future reference.

**! DANGER**



**CARBON MONOXIDE HAZARD**

This appliance can produce carbon monoxide which has no odor.

Using it in an enclosed space can kill you.

Never use this appliance in an enclosed space such as a camper, tent, car or home.



## SAFETY INFORMATION

Before you assemble or operate this unit, please carefully read this entire manual. Failure to do so may result in a fire, explosion, injury or death.

### WARNING

- The installation of this unit must adhere to local codes or Propane Storage and Handling Code, CSA B149.2.
- THIS UNIT IS INTENDED FOR OUTDOOR USE ONLY! This product shall be used outdoors, in a ventilated space and shall not be used in any enclosed area.
- This unit is to be used with propane gas only! (sold separately)
- Do not attach a remote gas supply to this unit.
- Only use propane gas for this unit.
- Solid fuels shall not be burned in this appliance.
- When igniting this unit, stay away from the burner as the flame will light up and may cause injury.
- LP GAS WARNING: Do not use any more than 1/4in depth lava rocks/pumice stones/LavaGlass® above the burner holes. Doing so will suffocate the flame.
- If the propane gas tank is leaking gas, you may hear, see, or smell a hiss. Do the following:
  1. Disconnect the propane gas tank.
  2. Do not attempt to fix the problem yourself.
  3. Contact your gas supplier or fire department for help.
- Applying too much propane may result in gas pooling and will not burn. Allow fresh air into the unit so that the remaining gas may escape.
- Do not use a flame to check for gas leaks.
- Manifold pressure: 11 inch w.c. (2.74kPa).
- Use LP propane tanks with the following dimensions: diameter 12 in, height 18 in - capacity 20 lbs.
- You must use a propane tank that has a collar to protect the gas valve.
- DO NOT fill tank over 80 percent full.
- The tank system must be set up for vapor withdrawal.
- Discontinue use if any part of the propane tank is damaged. Rust and dents may be hazardous and should be inspected by a gas supplier.
- Do not burn anything other than the provided materials for this fire table.
- Keep away from the unit for the first 20 minutes after igniting your unit for the first time, as lava rocks/pumice stones/LavaGlass® could pop out and cause injury. Should any rocks pop out, discard them.
- Always ensure that lava rocks/pumice stones/LavaGlass® are completely dry before use. Failure to do so will cause them to crack or pop.
- Do not operate unit until all parts are fully assembled.
- Do not paint or color any part of this heating unit.
- Unit may be hot while in use, do not attempt to move it while in use.
- Never leave this heating unit unattended while in use.
- This unit is not intended for cooking.
- Keep any flammable items away and do not use any other fireplace cover for this unit.
- Keep a safe distance to avoid burning skin or clothing.
- Do not sit or rest hands or feet on this heating unit.
- Never place hands or fingers on upper portion of this unit while in use.
- Keep all electrical cords and fuel supply hose away from heated surfaces.

- Combustible material should not be within 60 inches of the top of the unit, or within 48 inches around the entire unit.
- Keep the appliance area clear and free from combustible material, gasoline and other flammable vapors and liquids.
- If the flame goes out while burning, turn the gas valve off. Wait 5 minutes before repeating the initial lighting procedure. Once you have a flame started, hold down the control knob for 1 minute.
- Do not add water into the unit.
- Do not operate unit if any part has been under water. Immediately call a qualified service technician to inspect the appliance and replace any part of the control system and any gas control that has been under water.
- Do not disconnect any part while unit is in use.
- Do not store a spare propane tank on or near this unit.
- If the heating unit is indoors, detach the propane tank and leave outdoors.
- Do not operate on a boat or vehicle. This unit must be used on a flat surface and outdoors ONLY.
- Always remove protective cover before operating (if applicable).
- Do not set the protective cover over the unit until it is turned off and completely cooled down.
- Check for leaks after not using the unit for long periods of time.
- **Children should never operate this unit. Children must be supervised while near this unit.**
- Keep gas tank at least 5 feet away from unit when lit. (if external tank)
- Maximum gas supply: 250 psi; Min. gas supply: 10 psi.
- **All installation and repair should be done by a qualified professional. This unit should be inspected annually and cleaned regularly.**
- Inspect all elements of this heating unit before each use. If there is damage, the burner must be replaced.
- Keep the hose out from any pathways to eliminate any accidental damage. (if external tank)
- Be aware of the hazards of high temperatures and stay away from the unit to avoid any burns or injury.
- The gas supply tank should be constructed and marked with the specifications for the LP gas tanks of the U.S. Department of Transportation or the National Standard of Canada CAN/CSA-B339, LP gas tanks, spheres and tubes for Transportation of Dangerous Goods; and Commission.
- The LP gas tank must have a listed overfilling prevention device and a QCCI or Type I, (CGA791) LP gas tank connection.
- This heating appliance should not be used on plastic or artificial wood decks.
- **Children and adults should be alerted to the hazards of high surface temperatures and should stay away to avoid burns or clothing ignition.**
- **Young children should be carefully supervised when they are in the area of the appliance.**
- **Clothing or other flammable materials should not be hung from the appliance or placed on or near the appliance.**
- **Any guard or other protective device removed for servicing the appliance shall be replaced prior to operating the appliance.**
- **Installation and repair should be done by a qualified service person. The appliance should be inspected before use and at least annually by a qualified service person. More frequent cleaning may be required as necessary. It is imperative that the control compartment, burners and circulating airways of the appliance are kept clean.**

**IF APPLICABLE:**

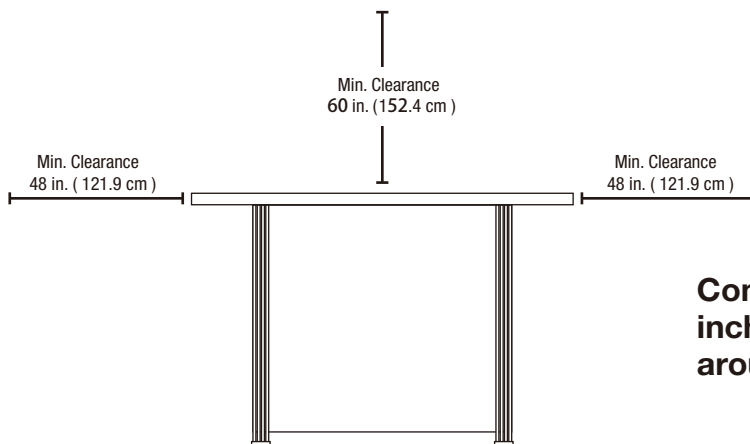
- Allow heating item to cool completely before placing on lid.
- DO NOT use heating item while lid is installed. Always remove the lid while heating item is in use.

## SAFETY INFORMATION

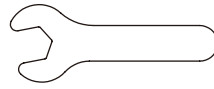
Only use the regulator and hose assembly provided with this unit. Replacement parts must be supplied directly by Bond Manufacturing Co., Inc. .

Inspect the burner before use of this unit. If the burner shows any kind of damage, do not operate the appliance. For assistance with repair or replacement of the burner or any other parts, calls Bond Manufacturing Co., Inc. 1.866.771.2663.

**NOTE: You must follow all steps to properly assemble this heating item. Make sure the gas valve is turned “OFF” before assembling. Do NOT attempt to assemble without proper tools.**



**Combustible materials should not be within 60 inches of the top of the unit, or within 48 inches around the entire unit.**

**AA****BB****CC****DD****EE****FF**

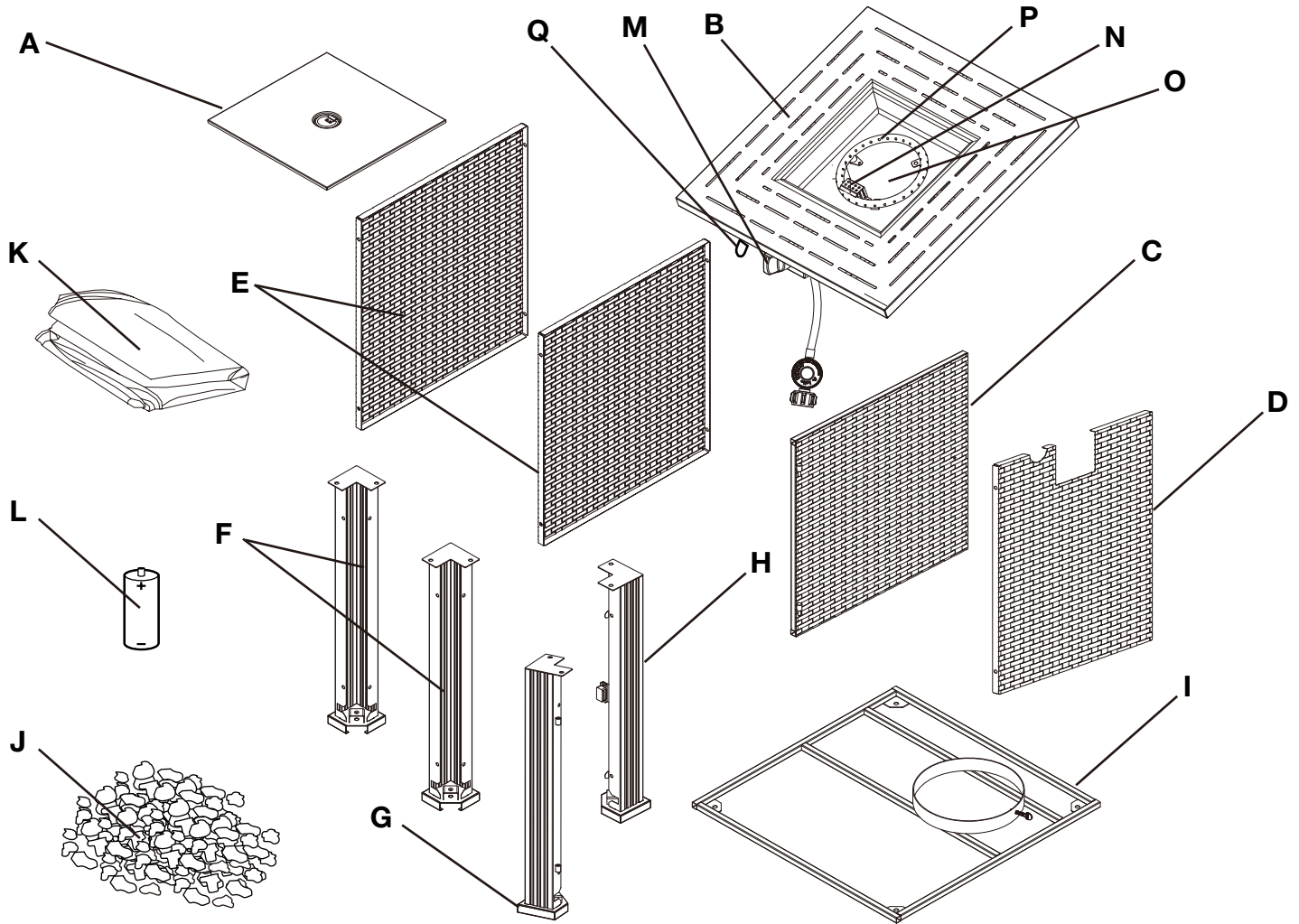
<b>Item</b>	<b>Description</b>	<b>Qty</b>
AA	M6 x 10 Screw	24
BB	M6 Nut	12
CC	M4 x 8 Screw	1
DD	Washer	1
EE	Door Knob	1
FF	Wrench	1

Before beginning assembly of this product be sure all parts are present. Compare parts with package contents list and hardware contents list. If any part appears to be missing or damaged do not begin assembly of this product and call customer service immediately.

Estimated assembly time: 30 minutes

Tools required for assembly (not included): Phillips Screwdriver

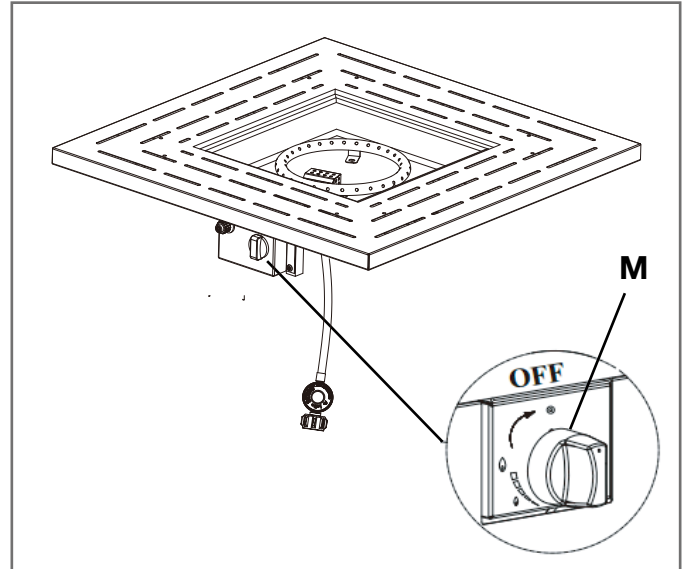
# CONTENTS



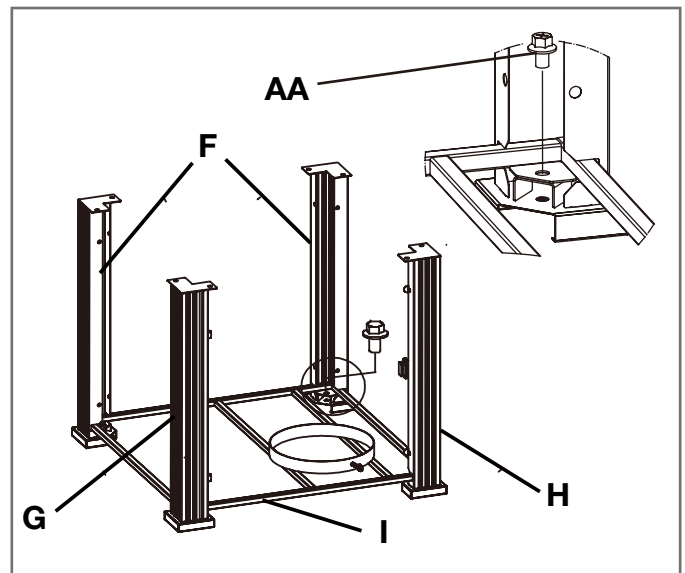
Item	Description	Qty
A	Lid	1
B	Table Top	1
C	Door	1
D	Front Panel	1
E	Side Panel	2
F	Left Leg	2
G	Right Front Leg	1
H	Right Back Leg	1
I	Metal Stand	1
J	Lava Rocks	1 box (3 kg)
K	PVC Cover	1
L	Battery (AAA)	1
M	Control Knob (preassembled)	1
N	Guard (preassembled)	1
O	Firebowl (preassembled)	1
P	Burner (preassembled)	1
Q	Electronic Igniter (preassembled)	1

# ASSEMBLY INSTRUCTIONS

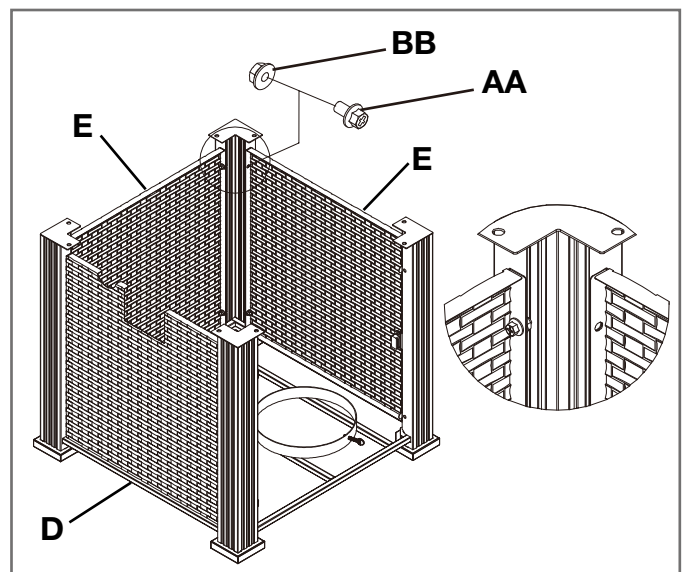
1. Check that the control knob (M) for the gas supply system is turned to the "OFF" position before starting any assembly.



2. Attach right front leg (G), right back leg (H) and 2 left legs (F) to the metal stand (I) using 4 pcs M6 x 10 screws (AA).

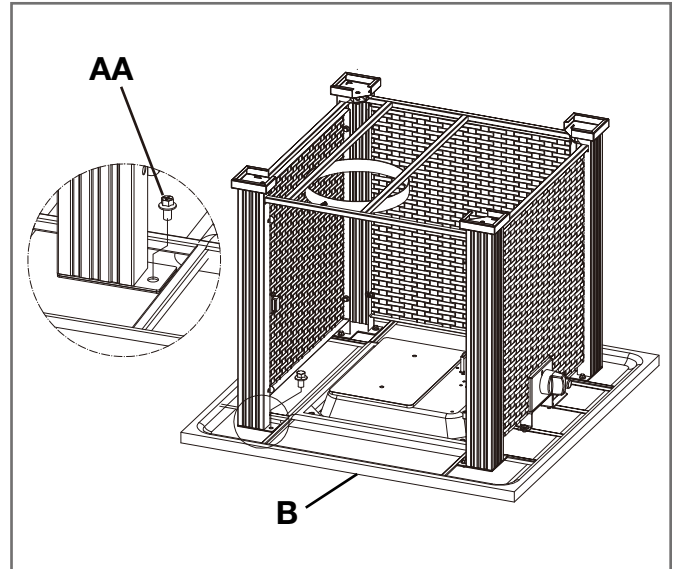


3. Attach the 2 side panels (E) and front panel (D) to the legs using 12 pcs M6 x 10 screws (AA) and 12 pcs M6 nuts (BB).

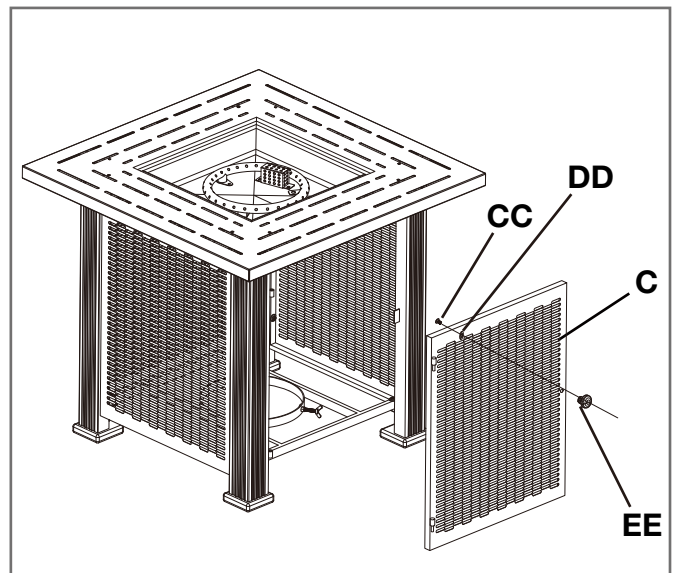


# ASSEMBLY INSTRUCTIONS

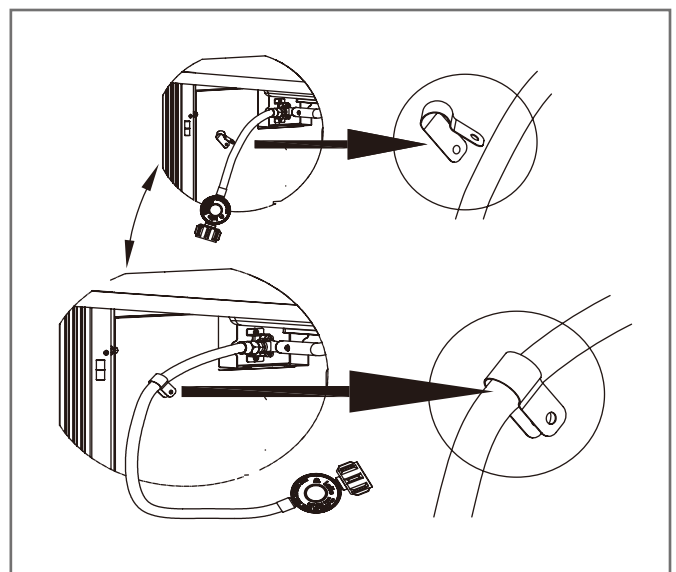
4. Attach steel base to the bottom part of the table top (B) using 8 pcs M6 x 10 screws (AA).



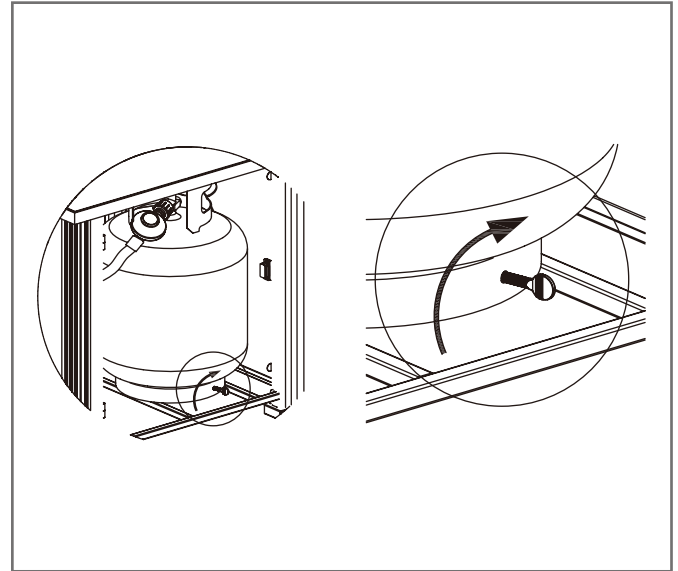
5. Insert the door (C) to right front leg and attach door knob (EE) to the door using 1 M4 x 8 screw (CC) and 1 washer (DD).



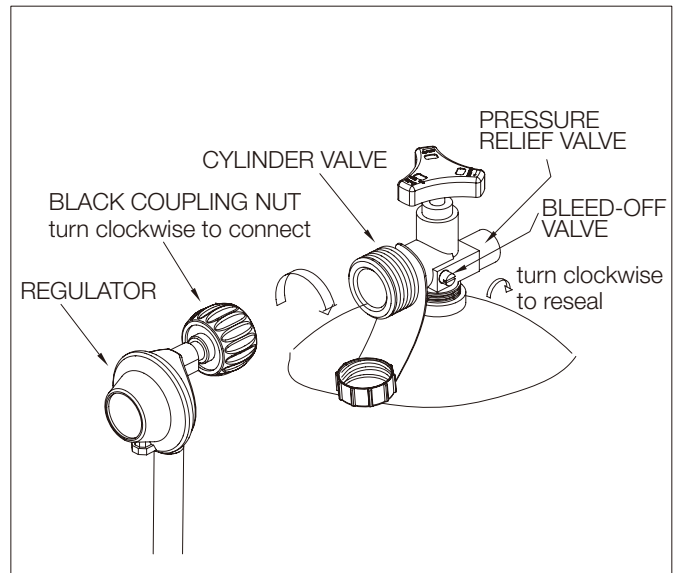
6. Attach hose of regulator tightly to the bracket.



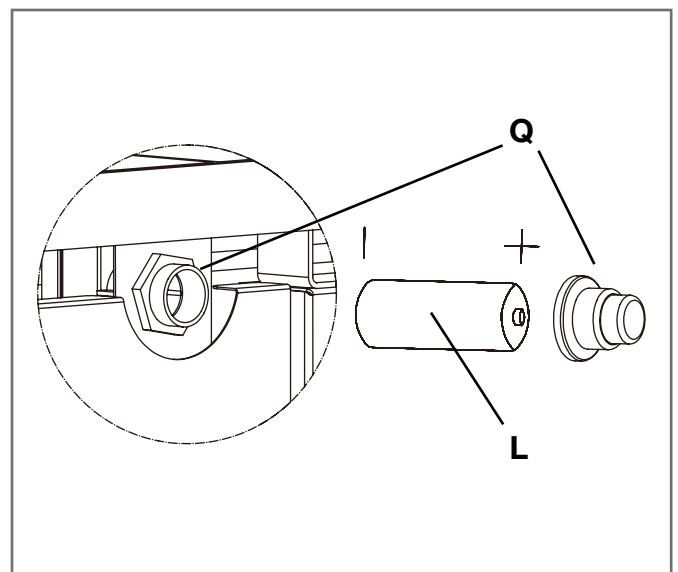
**7.** Place propane gas tank (not included) into the metal stand (I). Make sure the gas tank sits on the metal stand (I) completely. Turn the preassembled wing screw on the outer part of metal stand (I) clockwise to secure the propane gas tank tightly.



**8.** Turn the cylinder valve on the tank clockwise to close the propane tank. Attach the preassembled regulator from the table top (B) to the cylinder valve by turning the regulator coupling nut clockwise. Make sure it is fastened securely and tighten connections by hand only.



**9.** Remove the rubber cap on the electronic igniter (Q) by unscrewing and slide battery (L) into the battery slot. Make sure the positive side of the battery faces outwards. Screw the electronic igniter cap (Q) over the battery tightly.



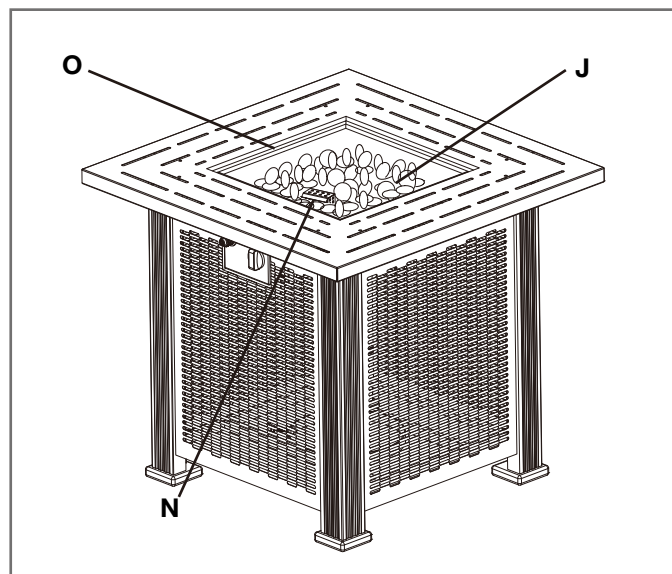
## ASSEMBLY INSTRUCTIONS

**10.** Pour the box of lava rocks (J) into the firebowl (O).



### CAUTION

To ensure proper function, the guard (N) on this burner (P) should be free of lava rocks at all times.



## OPERATION

Before performing a leak test, be sure that no sparks can occur and you are in a spacious outdoor area. Connect the propane gas tank to the regulator and turn the valve on the unit to the “off” position. Brush a soap and water mixture on all connections. Turn the gas supply on; if bubbles occur on any connection there may be a leak. **If you smell gas or a leak is discovered turn the gas valve off, disconnect propane gas tank and do not use the appliance until the leak is repaired.**

Do not use the heating unit without inspecting the gas hose. If there are signs of wear or abrasion you must replace the hose (if applicable). Pumice stones/lava rocks/LavaGlass® could pop up and strike somebody’s face during the process of lighting this unit; stand away from the unit for the first 20 minutes after igniting. Flame height should be a yellow/blue color between 2 - 10 inches in height.

Wait 50 minutes after extinguishing flame prior to placing a lid (if applicable) or protective cover on heating item.

### To Light

1. Make sure the control knob (M) is in the “off” position.
2. Open the door (C) and slowly open the valve on the propane gas tank by turning the knob counterclockwise.
3. Close the door (C) on the body.
4. Push and hold in the electronic igniter (Q) to create sparks within the electrode, continue to hold.
5. Push in the control knob (M) and turn to the “HIGH” position. Keep holding down the control knob (M) to allow gas to flow for 45 seconds.
6. If ignition doesn’t occur within a few seconds release the control knob (M) and rotate to the “OFF” position. Wait for 5 minutes for gas to clear and then repeat the above lighting instructions.
7. Once the fire product is lit, the flame intensity may be controlled by turning the control knob (M) between the “LOW” and “HIGH” positions.

### To Extinguish

1. Turn control knob (M) clockwise to the “HIGH” position; let the knob pop up and continue turning the control knob (M) to the “OFF” position.
2. Close the cylinder valve on the propane gas tank if you don’t intend to use it for a long time.

- Before performing any maintenance always disconnect propane gas tank.
- **Store your product indoors during winter months. Avoiding extreme cold temperatures will prevent from exposure damage.**
- Keep the heating item free and clear from combustible materials.
- Visually inspect burner for obstructions and keep tank enclosure free and clear from debris.
- Use a soft brush to get rid of the mild stains, loose dirt and soil after the burner and pumice stones/lava rocks/LavaGlass® are completely cooled down. Wipe down with a soft cloth.
- Harsh weather conditions may cause stubborn stains, discoloration and possibly rust pitting.
- Permanent damage may occur if powder or solvent comes in contact with painted or plastic components on this heating unit.
- Keep the heating unit stored away from direct sunlight.
- If storing this unit inside, disconnect the propane gas tank from the gas valve.
- Not using manufacturer approved or supplied parts/accessories may result in a defective condition and void the warranty of this heating unit.
- Always place lid (if applicable) or protective cover on heating item when not in use.

### **Envirostone® Surface Care**

Our Envirostone® material has been sealed with a patented treatment to prevent staining and moisture absorption, but it does require proper maintenance to ensure the integrity of the surface. Please see below for recommendations on maintaining your Envirostone® surface for years of pleasure:

- Clean any spills immediately to prevent permanent Envirostone® surface staining or damage. Blot any liquid spills with a clean, dry cloth to avoid spreading of the spill to the rest of the table. Clean your Envirostone® surface with a soft, clean cloth or sponge. Mix a solution of warm clean water and mild dish soap to remove any surface dirt or mild spills. Rinse all soap solution off of the tabletop and dry completely to avoid water spots. Regularly cleaning the Envirostone® surface will aid in a longer lasting product.
- Do not use petroleum-based or abrasive cleaning products. Do not use any harsh brushes when cleaning the Envirostone® surface.
- Do not slide products across the Envirostone® surface to avoid permanent scratching and damage.
- Always use protective mats such as coasters or placemats when eating on an Envirostone® surface. These protective products will help absorb sweating on cool beverages and will block out any heat rings from appearing beneath a warm mug or plate. When placing hot dishes on an Envirostone® surface, always use mats or hot pads.
- Envirostone® surface must be covered at all times when not in use. Cover your product with an outdoor furniture cover when not in use to protect it from the elements. Store your product indoors during winter months. Avoiding extreme cold temperatures will prevent cracking of the tabletop.

Problem	Cause	Solution
Heating unit won't light	Igniter pin and burner are wet	Dry off with a soft cloth
	Igniter battery is incorrectly inserted	Check which direction the battery is inserted
	Igniter pin is broken	Contact Bond Manufacturing Co.,Inc. for a replacement part
	Electrode wire is loose or disconnected	Reconnect wire to the igniter box located inside the table behind the igniter box
	Electrode wire is shorting between valve and igniter pin	Contact Bond Manufacturing Co.,Inc. for a replacement part
Burner won't light while using a match	No gas flow	Check that the gas tank isn't empty
	Regulator isn't connected securely to the tank	Tighten regulator connection to the gas tank
	Gas flow is obstructed	Check all hoses for kinks and bends
	Burner ports are clogged	Turn all gas flow connections off. Insert an opened paperclip (or similar item) into each of the burner ports to clear them out.
Heating unit emits a lot of black smoke	Flame is obstructed at burner ports	Check that all burner ports are free of any small lava rocks/pumice stones/ LavaGlass® pieces
	Regulator hose is kinked	Straighten hose of all bends or kinks
Sudden drop in gas flow	No gas flow	Check that the gas tank isn't empty
	Excess flow safety valve has been activated	Turn the control knob to the 'off' position. Close the tank valve and disconnect propane gas tank. Turn the control knob to 'high'; wait 1 minute. Turn the control knob back to the 'off' position. Reconnect propane gas tank. Light the fire unit as indicated in the 'To Light' section of this manual.
Flame blows out easily	High or gusting winds	Increase flame to 'high'
	No gas flow	Check that the gas tank isn't empty
	Excess flow safety valve has been activated	See 'sudden drop in gas flow' above

## WARRANTY

This product has a one-year warranty against manufacturing defects in workmanship, or materials. The manufacturer warranty will be voided by, and manufacturer disclaims any responsibility for, the following actions:

- Modification of the unit and/or components including the gas valve assembly.
- Use of any component part not manufactured or approved by Bond Manufacturing Co., Inc.
- Use and installation other than what is listed in this manual.

Please contact the manufacturer for replacement parts.

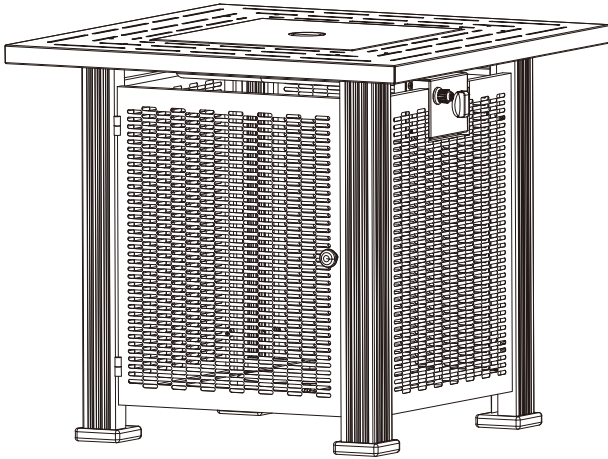
## CONTACT

If you have any questions or concerns, please contact Bond Manufacturing Co., Inc. at the below resources:

Toll Free Phone	1-866-771-BOND (2663)   Monday - Friday, 8am - 4:30pm PST
Email	<a href="mailto:customer.service@bondmfg.com">customer.service@bondmfg.com</a>
Online	<a href="http://www.bondmfg.com">www.bondmfg.com</a>

# Foyer De Table Value

No de produit  
No de modèle



## DANGER

### RISQUE D'INCENDIE OU D'EXPLOSION


Si vous sentez le gaz :

- Fermez le gaz de l'appareil.
- Éteignez toute flamme nue.
- Si l'odeur persiste, quittez immédiatement la zone.
- Après avoir quitté la zone, appelez votre fournisseur de gaz ou le service d'incendie.

Ne pas suivre ces consignes pourrait entraîner un incendie ou une explosion qui pourrait causer des dommages matériels, une blessure corporelle ou la mort.

## AVERTISSEMENT

N'entreposez pas et n'utilisez pas d'essence ni d'autres vapeurs ou de cet appareil ou de tout autre appareil. Ne rangez pas de bouteille de propane liquide non raccordée à proximité de cet appareil ni de tout autre appareil.

 **AVERTISSEMENT** : Si vous ne suivez pas exactement les informations dans ce guide, un incendie ou une explosion peut entraîner des dommages matériels, une blessure corporelle ou une perte de vie.

## AVERTISSEMENT

Pour un usage extérieur seulement. L'installation et l'entretien doivent être effectués par un installateur qualifié, une agence d'entretien ou le fournisseur de gaz.

## AVERTISSEMENT

Les installations, réglages, modifications, réparations ou entretiens incorrects présentent des risques de dommages corporels ou matériels. Consultez le guide d'utilisation fourni avec cet appareil. Pour obtenir de l'aide ou plus de renseignements consultez un installateur qualifié, une agence d'entretien ou le fournisseur de gaz.

**INSTALLATEUR :**

Laissez ce guide avec l'appareil.

**CONSOMMATEUR :**

Gardez ce guide pour une utilisation ultérieure.

## DANGER



### RISQUE LIÉ AU MONOXYDE DE CARBONE

Cet appareil peut générer du monoxyde de carbone, un gaz inodore. L'utilisation de cet appareil dans un endroit fermé pourrait causer la mort. N'utilisez jamais cet appareil dans un endroit fermé comme une caravane, une tente, une automobile ou une maison.



C

US

# Guide d'utilisation

# RENSEIGNEMENTS SUR LA SÉCURITÉ

Avant d'assembler ou d'utiliser cette unité, veuillez lire avec soin tout ce guide. L'omission de ce processus peut entraîner un incendie, une explosion, une blessure corporelle ou la mort.

## AVERTISSEMENT

- L'installation de cette unité doit être conforme aux codes locaux ou Code de manutention et d'entreposage du gaz, CSA B149.2.
- **CETTE UNITÉ EST CONÇUE UNIQUEMENT POUR UN USAGE EN PLEIN AIR!** Ce produit doit s'utiliser en plein air, dans un espace aéré, et ne doit pas être utilisé dans un espace fermé.
- On doit utiliser cette unité uniquement avec le gaz propane! (vendu séparément)
- N'attachez pas une source externe d'alimentation en gaz à cette unité.
- Utilisez uniquement le gaz propane avec cette unité.
- Les combustibles solides ne doivent pas être brûlés dans cet appareil.
- Lors de l'allumage de cette unité, écarter-vous du brûleur, parce que la flamme s'allumera et peut entraîner une blessure.
- **MISE EN GARDE POUR LE GPL :** Ne dépassez pas une profondeur de 6,3 mm (1/4 po) de pierres de lave/pierres ponces/Lava Glass® sur les orifices du brûleur. Faire cela étouffera la flamme.
- Si une fuite dans la bouteille de gaz propane est présente, vous pourriez entendre, voir ou sentir un sifflement. Procédez comme suit : 1. Détachez la bouteille de gaz propane. 2. N'essayez pas de régler le problème vous-même. 3. Communiquez avec votre fournisseur de gaz ou le service d'incendie pour obtenir de l'aide.
- L'application de trop de propane peut entraîner une accumulation de gaz qui ne brûlera pas. Permettez l'entrée d'air frais dans l'unité pour que le gaz qui reste puisse s'échapper.
- N'utilisez pas une flamme pour vérifier s'il y a des fuites de gaz.
- Pression d'admission : 11 pouces CE. (2.74 kPa)
- Employez des bouteilles de GPL avec les dimensions suivantes : diamètre de 30,5 cm (12 po), hauteur de 45,7 cm (18 po) - capacité £ 20.
- Il faut utiliser une bouteille de propane munie d'une bague de protection du robinet de gaz.
- **NE remplissez PAS** la bouteille à un niveau supérieur à 80 %.
- Le système d'alimentation de la bouteille doit assurer le retrait de vapeur.
- Cessez l'utilisation si une partie de la bouteille de propane est endommagée. La rouille et les bosses peuvent être dangereuses et doivent être inspectées par un fournisseur de gaz.
- Ne brûlez rien d'autre que les matériaux fournis pour ce foyer de jardin.
- Écartez-vous de l'unité pendant les 20 premières minutes suivant l'allumage pour la première fois, puisque les pierres de lave/pierres ponces/Lava Glass® pourraient en sauter et provoquer une blessure. Si des pierres en sautent, jetez-les.
- Assurez-vous que les pierres de lave/pierres ponces/Lava Glass® soient complètement sèches avant l'usage. Ne pas observer cela les fera fêler ou sauter.
- N'utilisez pas l'unité jusqu'à ce que toutes les pièces soient complètement assemblées.
- Ne peignez ni teintez aucune partie de cet appareil de chauffage.
- L'unité peut être chaude pendant l'utilisation; n'essayez pas de la déplacer quand elle fonctionne.
- Ne laissez jamais cette unité de chauffage sans surveillance pendant l'usage.
- Cette unité n'est pas conçue pour la cuisson des aliments.
- Gardez tout article inflammable à l'écart et n'utilisez aucune autre housse de foyer pour cette unité.
- Tenez-vous à une distance sécuritaire pour éviter la brûlure de la peau ou des vêtements.
- N'asseyez-vous ni reposez les mains ou les pieds sur cet appareil de chauffage.

- Gardez tout article inflammable à l'écart et n'utilisez aucune autre housse de foyer pour cette unité.
- Tenez-vous à une distance sécuritaire pour éviter la brûlure de la peau ou des vêtements.
- N'asseyez-vous ni reposez les mains ou les pieds sur cet appareil de chauffage.
- Ne mettez jamais les mains ou les doigts sur la partie supérieure de cette unité pendant son usage.
- Gardez tout cordon électrique et le tuyau d'alimentation en gaz loin des surfaces chauffées.
- On ne doit pas tenir des matériaux combustibles dans une distance de moins de 1,52 m (60 po) du haut de l'unité, ou dans une distance de moins de 1,21 m (48 po) autour de l'unité en entier.
- Gardez l'appareil propre et libre de matériaux combustibles, essence et autres vapeurs et liquides inflammables.
- Si la flamme s'éteint lors du brûlage, fermez le robinet de gaz. Attendez 5 minutes avant de répéter la procédure initiale d'allumage. Quand une flamme se produit, maintenez enfoncé le bouton de commande pendant une minute.
- N'ajoutez pas d'eau dans l'unité.
- N'utilisez pas l'unité si une partie a été submergée dans l'eau. Appelez immédiatement un technicien de service qualifié pour inspecter l'appareil et remplacer toute partie du système de contrôle ou toute commande de gaz ayant été immergée.
- Ne détachez aucune pièce pendant l'usage de l'unité.
- N'entrez pas une bouteille de propane de rechange sur ou à proximité de cette unité.
- Si l'appareil de chauffage est à l'intérieur, détachez la bouteille de propane et laissez-la à l'extérieur.
- N'utilisez pas cette unité dans un bateau ou véhicule. Il faut opérer cette unité **UNIQUEMENT** sur une surface plane à l'extérieur.
- Retirez toujours la housse protectrice avant l'utilisation (le cas échéant).
- Ne mettez pas la housse protectrice sur l'unité avant qu'elle soit arrêtée et complètement refroidie.
- Vérifiez s'il y a une fuite après des périodes prolongées de non utilisation.
- **Ne permettez jamais aux enfants d'utiliser cette unité. Il faut surveiller les enfants quand ils sont à proximité de cette unité.**
- Gardez la bonbonne de gaz à une distance d'au moins 1,5 m (5 pi) de l'unité quand elle est allumée. (pour une bonbonne externe)
- Approvisionnement maximum en gaz: 250 PSI; Approvisionnement minimum en gaz: 10 PSI
- **Toute installation et toute réparation doivent se faire par un technicien d'entretien qualifié.**
- **Cette unité doit être inspectée annuellement et nettoyée de façon régulière.**
- Inspectez tous les éléments de cet appareil de chauffage avant chaque usage. S'il y a des dommages, il faut remplacer le brûleur.
- Mettez le tuyau hors des chemins pour éliminer tout dommage accidentel. (pour une bonbonne externe)
- Soyez conscient des dangers des températures élevées et tenez-vous loin de l'unité pour éviter des brûlures ou blessures.
- Il faut que la bouteille de propane soit conçue et étiquetée conformément aux spécifications pour les bouteilles de GPL du U.S. Department of Transportation (DOT) ou de la Norme nationale du Canada, CAN/CSA-B 339, Bouteilles à gaz cylindriques et sphériques pour le transport des marchandises dangereuses; et commission.
- La bouteille de GPL doit être munie d'un dispositif homologué de protection contre le remplissage excessif et d'un raccord de bouteille de GPL QCCI ou de Type 1 (CGA791).
- On ne doit pas utiliser cet appareil de chauffage sur des terrasses en plastique ou en bois artificiel.
- **Il faut que les enfants et les adultes soient avertis des dangers des surfaces chaudes et qu'ils se tiennent à une distance sécuritaire afin d'éviter les brûlures ou l'inflammation des vêtements.**
- **Il faut surveiller les jeunes enfants de près quand ils sont à proximité de l'appareil.**

## RENSEIGNEMENTS SUR LA SÉCURITÉ

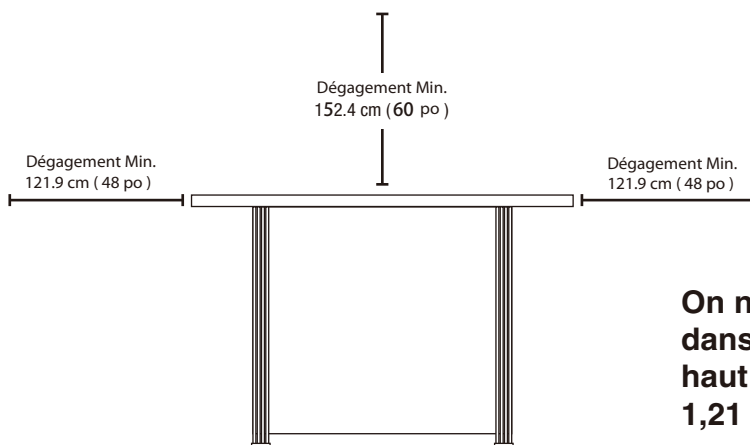
- On ne doit pas suspendre des vêtements ou tout autre matériel inflammable, ni les placer sur ou près de l'appareil.
- Il faut remplacer tout revêtement de protection ou autre dispositif de sécurité enlevé pour l'entretien de l'appareil avant de faire fonctionner l'appareil.
- L'installation et la réparation doivent se faire par un technicien d'entretien qualifié. L'appareil doit être inspecté par un technicien d'entretien qualifié avant l'usage et au moins une fois par an. Un nettoyage plus fréquent peut être nécessaire au besoin. Il faut garder propres le compartiment de commande, les brûleurs et les voies de circulation d'air.

### S'IL Y A LIEU :

- Permettez le refroidissement complet de l'appareil de chauffage avant de remettre la housse.
- N'utilisez PAS l'appareil de chauffage quand la housse est en place. Retirez toujours la housse quand l'appareil de chauffage est utilisé.

Utilisez uniquement le régulateur et l'ensemble raccord-tuyau fournis avec cette unité. Les pièces de rechange doivent être fournies directement par Bond Manufacturing Co., Inc. Inspectez le brûleur avant l'utilisation de cette unité. Si le brûleur indique des signes de dommage quelconque, n'utilisez pas l'appareil. Pour obtenir de l'aide avec la réparation ou le remplacement du brûleur ou de toute autre pièce, appelez Bond Manufacturing Co., Inc. au 1.866.771.2663.

**REMARQUE :** Il vous faut suivre toutes les étapes pour assembler correctement cet appareil de chauffage. Assurez-vous que le robinet de gaz est à la position 'OFF' (arrêt) avant l'assemblage. N'essayez PAS de l'assembler sans les bons outils.



**On ne doit pas tenir des matériaux combustibles dans une distance de moins de 1,52 m (60 po) du haut de l'unité, ou dans une distance de moins de 1,21 m (48 po) autour de l'unité en entier.**



AA



BB



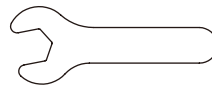
CC



DD



EE



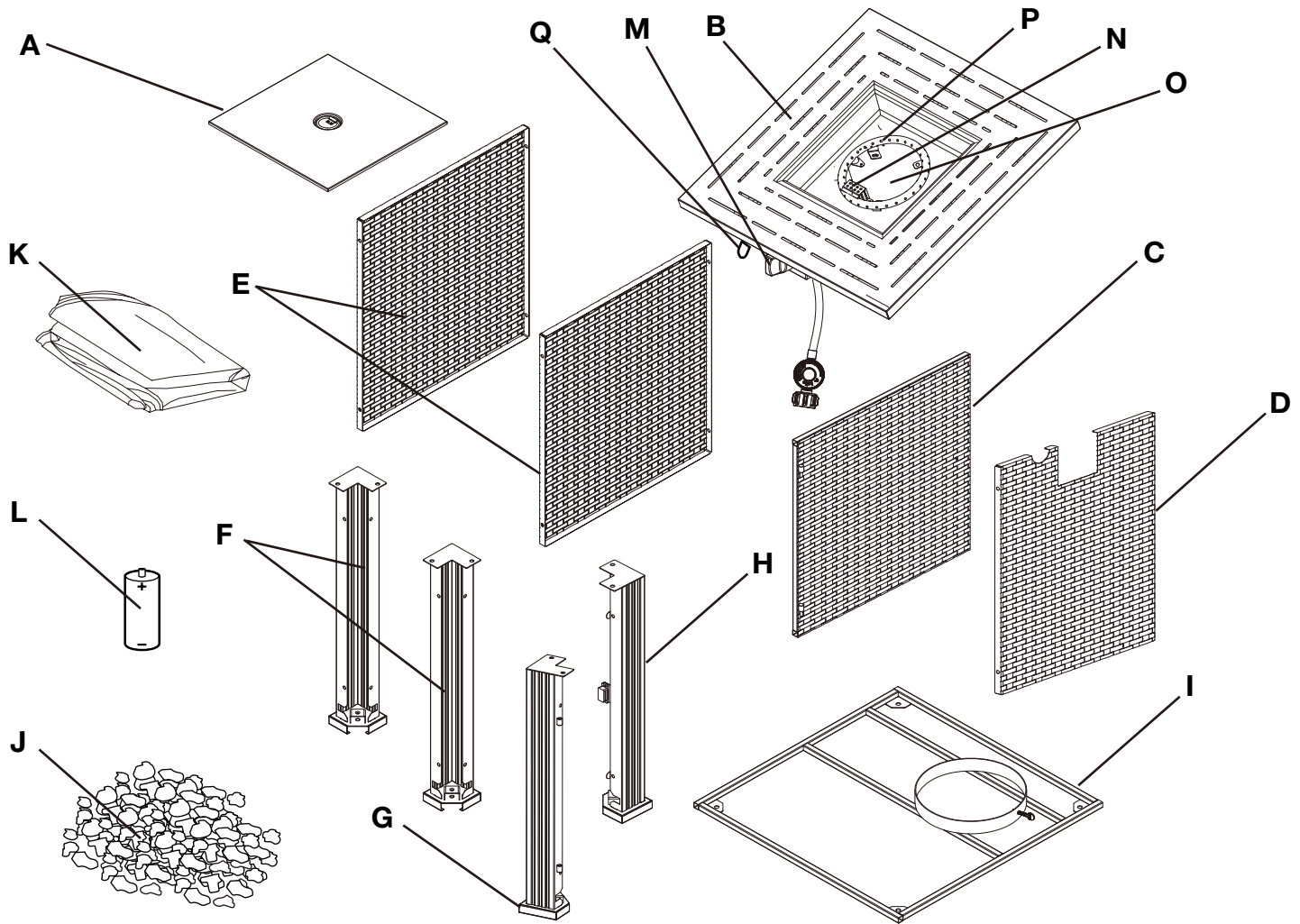
FF

Article	Description	Qté
AA	Vis M6 x 10	24
BB	Écrous M6	12
CC	Vis M4 x 8	1
DD	Rondelle	1
EE	Bouton de porte	1
FF	Clé	1

Avant de commencer l'assemblage de l'article, assurez-vous d'avoir toutes les pièces. Comparez le contenu de l'emballage avec la liste des pièces et celle de la quincaillerie incluse. Si des pièces sont manquantes ou endommagées, ne tentez pas d'assembler le produit.

**Temps d'assemblage approximatif:** 30 minutes.

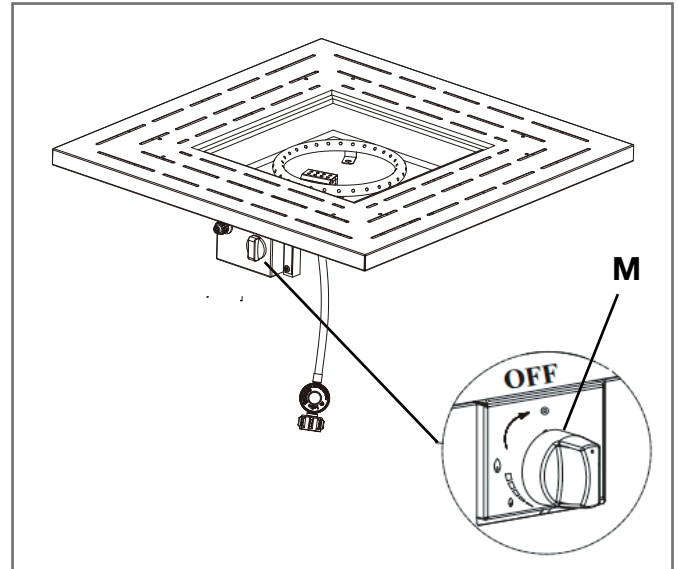
Outils nécessaires pour l'assemblage (non inclus) : tournevis cruciforme.



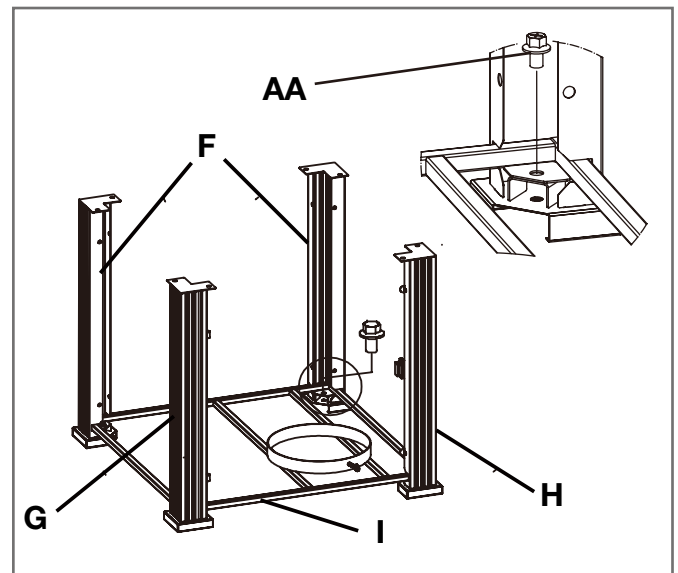
Article	Description	Qté
A	Couvercle	1
B	Plateau de table	1
C	Porte	1
D	Panneau avant	1
E	Panneau latéral	2
F	Pied gauche	2
G	Pied avant droit	1
H	Pied arrière droit	1
I	Support en métal	1
J	Pierres de lave	1 boîte (3 kg)
K	Housse en PVC	1
L	Pile (AAA)	1
M	Bouton de commande (préassemblé)	1
N	Dispositif de protection (préassemblé)	1
O	Foyer (préassemblé)	1
P	Brûleur (préassemblé)	1
Q	Allumeur électronique (préassemblé)	1

# INSTRUCTIONS D'ASSEMBLAGE

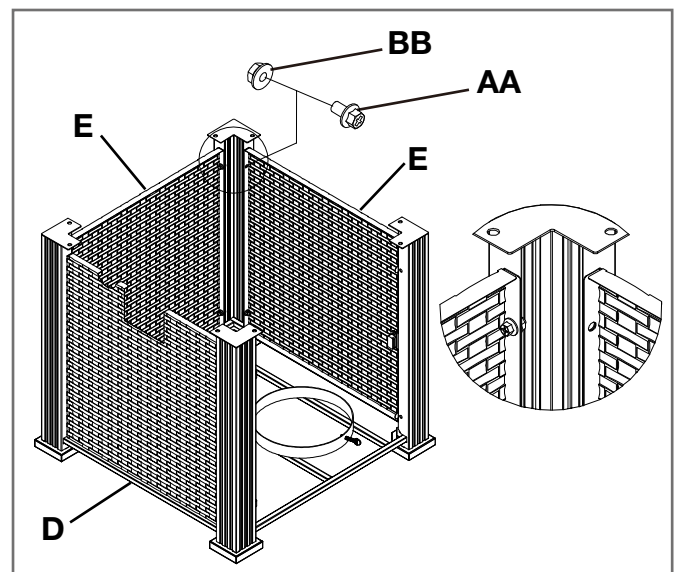
1. Vérifiez que le bouton de commande (M) pour le système d'alimentation en gaz est mis sur la position 'OFF' avant de commencer tout assemblage.



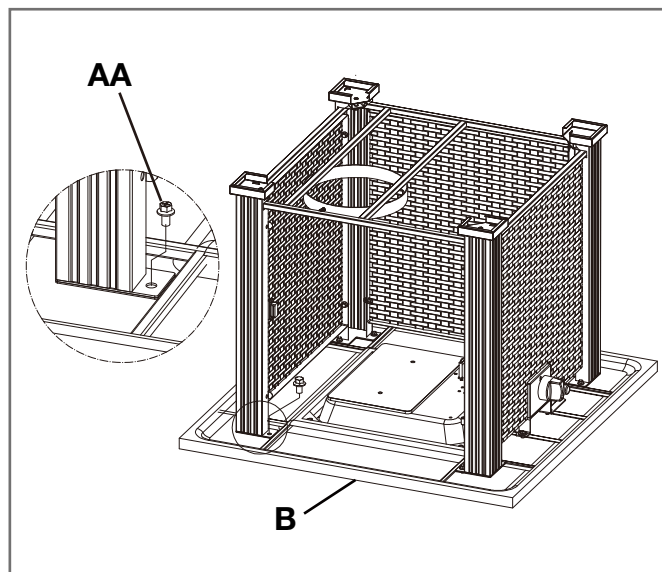
2. Fixer le pied avant droit (G), le pied arrière droit (H) et les deux pieds gauches (F) au support en métal (I) en utilisant les quatre vis M6x10 (AA).



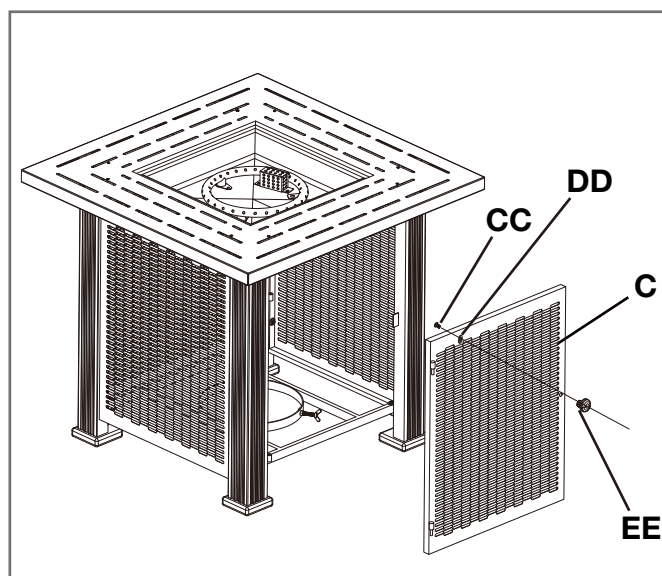
3. Fixer les deux panneaux latéraux (E) et le panneau avant (D) aux pieds en utilisant les douze vis M6x10 (AA) et les douze écrous M6 (BB).



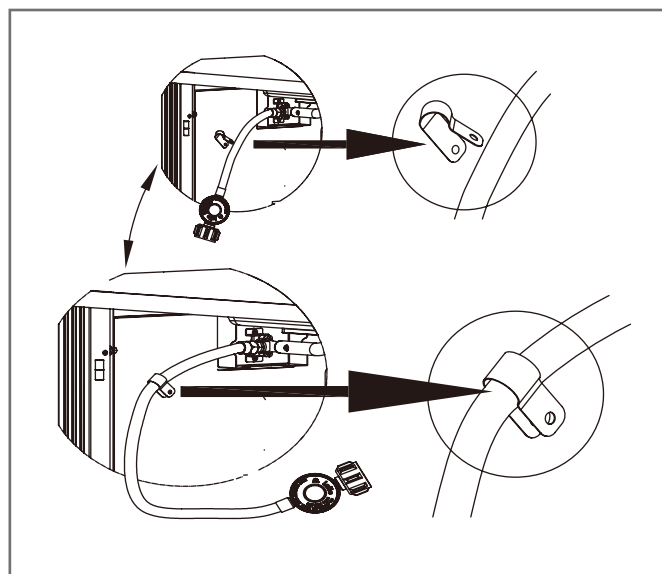
4. Fixer la base de métal à la partie de dessous du plateau de la table (B) en utilisant les huit vis M6x10 (AA) .



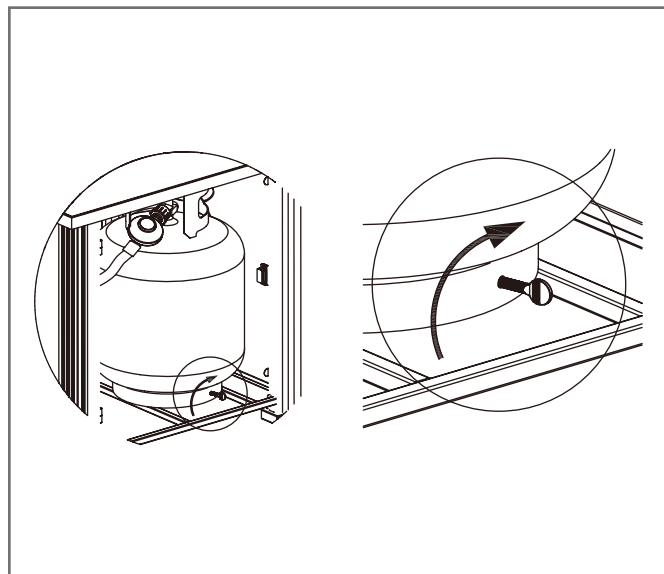
5. Insérer la porte (C) dans le pied droit avant et fixer le bouton de porte (EE) en utilisant la 1 vis M6x8 (CC) et 1 rondelle (DD).



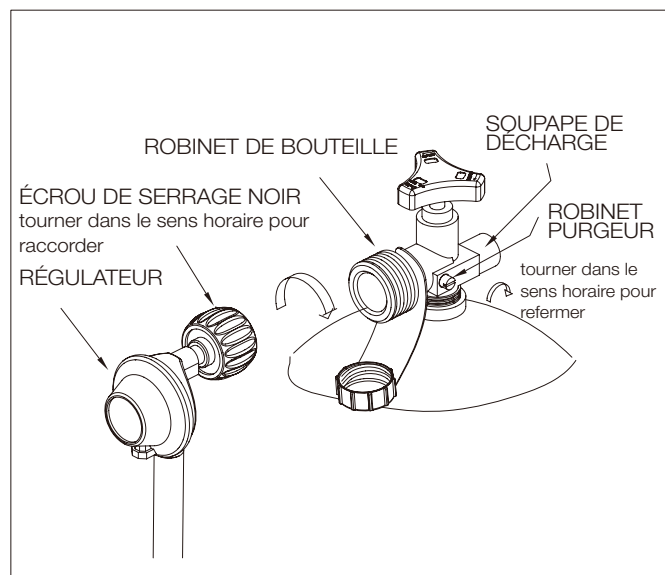
6. Fixer solidement le boyau du régulateur à la patte de fixation.



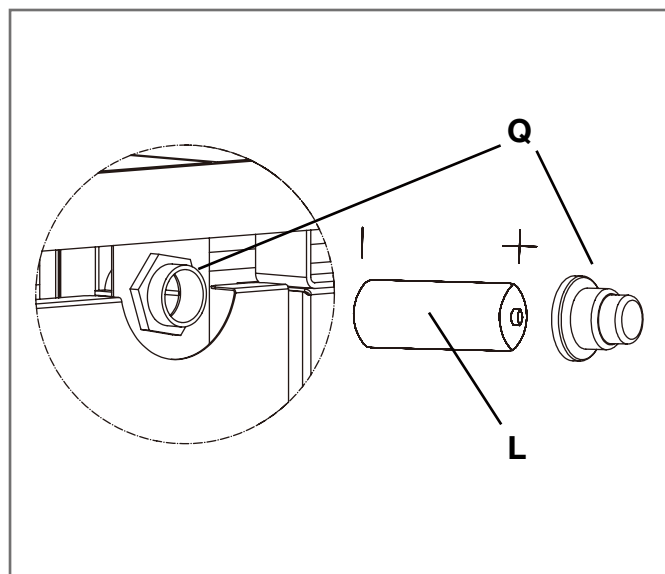
**7.** Placez la bouteille de gaz propane (non comprise) dans le support en métal (I). assurez-vous que la bouteille de gaz propane reste solidement sur le support en métal (I) à l'intérieur du corps. Tournez la vis à oreilles à l'extérieur du support en métal (I) dans le sens horaire pour bien fixer la bouteille de gaz propane.



**8.** Tournez le robinet de la bouteille dans le sens horaire pour fermer la bouteille de propane. Attachez le régulateur préassemblé du plateau de table (B) au robinet entourant l'écrou de serrage du régulateur dans le sens horaire. Assurez-vous qu'il est bien fixé et serrez les raccordements à la main seulement.



**9.** Retirez le capuchon en caoutchouc de l'allumeur électronique (Q) en le dévissant et glissez la pile (L) dans le compartiment à pile. Assurez-vous que le côté positif de la pile est orienté vers l'extérieur. Vissez bien le capuchon de l'allumeur électronique (Q) sur la pile.

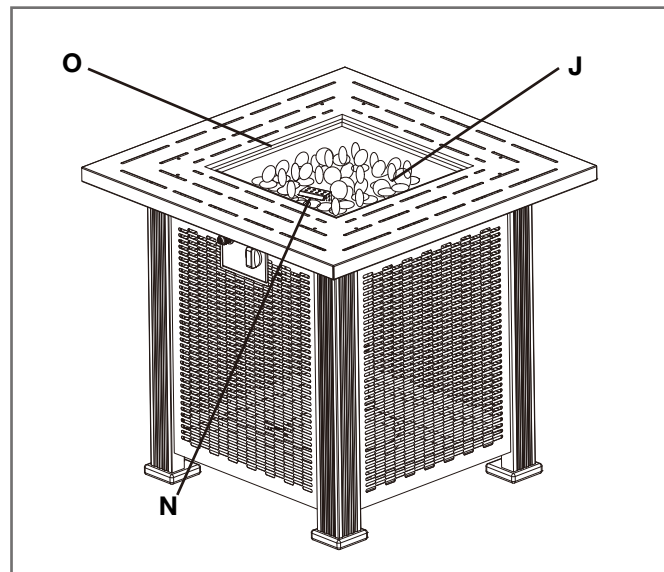


## INSTRUCTIONS D'ASSEMBLAGE

10. Versez la boîte de pierres de lave (J) dans le corps (O) du foyer.

### **!** AVERTISSEMENT

Pour assurer le bon fonctionnement, la grille (N) de ce brûleur (P) doit être libre de pierres de lave en tout temps.



## FONCTIONNEMENT

Avant de faire un essai d'étanchéité, assurez-vous qu'aucune étincelle ne peut se produire et que vous êtes dans un grand espace extérieur. Raccordez la bouteille de gaz propane au régulateur et tournez le robinet de l'unité à la position 'off'. Brossez une solution d'eau savonneuse sur tous les raccords. Ouvrez l'alimentation en gaz; si des bulles se produisent sur un raccord quelconque, il y a probablement une fuite. **Si vous sentez l'odeur de gaz ou découvrez une fuite, fermez le robinet de gaz, détachez la bouteille de gaz propane et n'utilisez pas l'appareil jusqu'à ce que la fuite soit réparée.**

N'utilisez pas l'appareil de chauffage sans avoir inspecté le tuyau d'alimentation. Si il ya des signes d'usure ou à l'abrasion vous devez remplacer le tuyau (le cas échéant). Les pierres ponces/pierres de lave/Lava Glass® pourraient sauter et frapper quelqu'un au visage lors de la procédure d'allumage de cette unité; tenez-vous écarté de l'unité pendant les 20 premières minutes suivant l'allumage. La flamme doit être jaune/bleue et d'une hauteur de 5 à 25 cm (2 à 10 pouces).

Attendez 50 minutes après avoir éteint la flamme avant de placer un couvercle (le cas échéant) ou une housse protectrice sur l'appareil de chauffage.

### **Pour allumer**

1. Assurez-vous que le bouton de commande (M) est sur la position 'OFF' (arrêt).
2. Ouvrir la porte (C) et ouvrez lentement le robinet de la bouteille de gaz propane en tournant le bouton dans le sens antihoraire.
3. Fermer la porte (C) sur le foyer.
4. Enfoncez et retenez l'allumeur électronique (Q) pour créer des étincelles dans l'électrode, continuez d'appuyer.
5. Enfoncez le bouton de commande (M) et tournez-le sur la position 'high'. Maintenez appuyé le bouton de commande (M) pour permettre l'écoulement du gaz pendant 45 secondes.
6. Si l'allumage ne se produit pas dans quelques secondes, dégagez le bouton de commande (M) tournez-le à la position 'OFF'. Attendez 5 minutes pour que le gaz s'échappe, et répétez ensuite les instructions d'allumage ci-dessus.
7. Quand le foyer est allumé, l'intensité de la flamme peut être réglée en tournant le bouton de commande (M) entre les positions 'low' et 'high'.

### **Pour éteindre**

1. Tournez le bouton de commande (M) sur la position 'high'; laissez le bouton sortir et continuez de tourner le bouton de commande (M) a la position 'off'.
2. Fermez le robinet de la bouteille de gaz propane si vous n'avez pas l'intention de l'utiliser pendant une période prolongée.

- Avant d'effectuer des travaux d'entretien, détachez toujours la bouteille de gaz propane.
- **Rangez votre produit à l'intérieur pendant les mois d'hiver. Éviter les températures extrêmement froides empêchera les dommages dus à l'exposition.**
- Gardez l'appareil de chauffage dégagé de matériaux combustibles.
- Inspectez visuellement le brûleur pour des obstructions, et gardez l'enceinte de la bouteille dégagée de débris.
- Utilisez une brosse souple pour éliminer les taches, la poussière et la saleté après que le brûleur et les pierres ponces/pierrres de lave/Lava Glass® seront complètement refroidis. Essuyez avec un chiffon doux.
- Les conditions sévères extérieures peuvent provoquer des taches coriaces, la décoloration et possiblement des piqûres de corrosion.
- Des dommages permanents peuvent se produire si une poudre ou un dissolvant entre en contact avec les composants peints ou en plastique de cet appareil de chauffage.
- Entrez l'appareil de chauffage loin des rayons directs du soleil.
- Pour l'entreposage de cette unité à l'intérieur, détachez la bouteille de gaz propane du robinet.
- Ne pas utiliser des pièces et accessoires approuvés ou fournis par le fabricant peut entraîner un état défectueux et annuler la garantie de cet appareil de chauffage.
- Posez toujours le couvercle (le cas échéant) ou la housse protectrice sur l'appareil de chauffage quand il n'est pas utilisé.

### **Entretien de la surface d'Envirostone®**

Notre matériau Envirostone® a été scellé avec un traitement breveté pour empêcher les taches et l'absorption de l'humidité, mais il exige l'entretien approprié pour assurer l'intégrité de la surface. Veuillez trouver ci-dessus des recommandations pour l'entretien de votre surface Envirostone® pour jouir d'années de plaisir :

- Nettoyez immédiatement tout déversement pour empêcher une tache permanente ou des dommages à la surface d'Envirostone®. Épongez les liquides déversés avec un chiffon propre et sec ou une éponge. Mélangez une solution d'eau tiède propre et de détergent à vaisselle doux pour enlever toute saleté de la surface ou les petits déversements. Le nettoyage régulier de la surface d'Envirostone® donnera au produit une durée de vie plus longue.
- N'utilisez pas des produits de nettoyage abrasifs ou à base de pétrole. N'utilisez pas des brosses dures pour le nettoyage de la surface d'Envirostone®.
- Ne glissez pas des produits à travers la surface d'Envirostone® pour éviter des égratignures permanentes et des dommages.
- Utilisez toujours des tampons protecteurs comme les sous-verres et napperons quand on mange près d'une surface d'Envirostone®. Ces produits de protection aideront l'absorption de gouttes d'eau sur les verres de boisson froide et bloqueront l'apparence d'anneaux causés par la chaleur sous une chope ou assiette chaude. Quand on place des plats chauds sur une surface d'Envirostone®, on doit utiliser toujours des napperons ou poignées isolantes.
- Il faut couvrir la surface d'Envirostone® en tout temps quand elle n'est pas utilisée. Couvrez votre produit d'une housse pour mobilier d'extérieur quand il n'est pas utilisé pour le protéger des intempéries. Entrez votre produit à l'intérieur pendant les mois d'hiver. Éviter les températures extrêmement froides empêchera la fêlure du plateau de table.

Problème	Cause	Solution
L'appareil de chauffage ne s'allume pas	La tige d'allumage et le brûleur sont humides	Essuyez avec un chiffon doux
	La pile de l'allumeur est incorrectement insérée	Vérifiez l'orientation dans laquelle la pile est insérée
	La tige d'allumage est cassée	Appelez Bond Manufacturing Co., Inc. pour obtenir une pièce de rechange
	Un fil d'électrode est desserré ou déconnecté	Connectez le fil de nouveau au compartiment d'allumage situé à l'intérieur du foyer derrière le compartiment d'allumage
	Un fil d'électrode court-circuite entre le robinet et la tige d'allumage	Appelez Bond Manufacturing Co., Inc. pour obtenir une pièce de rechange
Le brûleur ne s'allume pas quand on utilise une allumette	Aucun écoulement de gaz	Vérifiez si la bouteille de gaz est vide
	Le régulateur n'est pas bien raccordé à la bouteille	Serrez le raccordement du régulateur à la bouteille de gaz
	L'écoulement de gaz est obstrué	Vérifiez tous les tuyaux pour voir s'ils sont croches ou tordus
	Les orifices du brûleur sont bouchés	Fermez tous les raccordements d'écoulement de gaz. Insérez un trombone ouvert (ou un article semblable dans chaque orifice du brûleur pour les nettoyer
L'appareil émet beaucoup de fumée noire	La flamme est obstruée aux orifices du brûleur	Assurez-vous que tous les orifices du brûleur sont dégagés de toute pierre de lave/pierre ponce/LavaGlass®
	Le tuyau du régulateur est pincé	Éliminez toute courbe ou boucle du tuyau
Une chute soudaine du débit de gaz	Aucun écoulement de gaz	Vérifiez si la bouteille de gaz est vide
	La soupape de sécurité contre l'écoulement excessif a été activée	Tournez le bouton de commande sur la position 'off'. Fermez le robinet de la bouteille et détachez la bouteille de gaz propane. Tournez le bouton de commande sur la position 'high'; attendez une minute. Tournez le bouton de commande de nouveau sur la position 'off'. Raccordez de nouveau la bouteille de gaz propane. Allumez le foyer tel qu'indiqué dans la section « Pour allumer » e ce guide
La flamme s'éteint facilement	Des vents forts ou violents	Augmentez la flamme à 'high'
	Aucun écoulement de gaz	Vérifiez si la bouteille de gaz est vide
	La soupape de sécurité contre l'écoulement excessif a été activée	Voir « Une chute soudaine du débit de gaz » ci-dessus

## GARANTIE

Ce produit est accompagné d'une garantie d'un an contre tout défaut de matériaux ou de fabrication.

La garantie du fabricant sera annulée par le fabricant, et le fabricant décline toute responsabilité pour les actions suivantes :

- Modification de l'unité et (ou) de ses composants, y compris le système d'alimentation en gaz.
- Emploi d'un composant non fabriqué ou approuvé par Bond Manufacturing Co., Inc.
- Utilisation et installation autrement que selon les instructions de ce guide.

Veuillez contacter le fabricant pour obtenir des pièces de rechange.

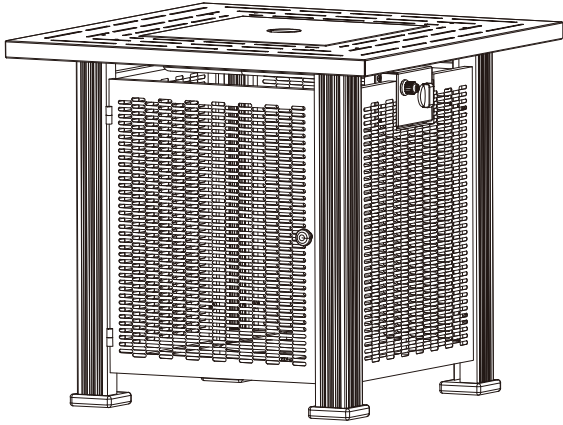
## POUR NOUS REJOINDRE

Pour toute question ou préoccupation, veuillez communiquer avec Bond Manufacturing Co., Inc. aux ressources ci-dessous :

Téléphone sans frais	1 866 771-BOND(2663) du lundi au vendredi, de 8 h à 16 h 30 HNP
Courriel	<a href="mailto:customer.service@bondmfg.com">customer.service@bondmfg.com</a>
En ligne	<a href="http://www.bondmfg.com">www.bondmfg.com</a>

# Mesa De Fuego Value

No. de artículo  
No. de modelo



## PELIGRO RIESGO DE FUEGO O EXPLOSIÓN

Si huele gas:

- Apague el gas al aparato.
- Apague cualquier flama abierta.
- Si el olor continúa, deje el área de inmediato.
- Después de salir del área, llame a su proveedor de gas o departamento de bomberos.

La falla en seguir estas instrucciones podría resultar en incendio o explosión, lo que podría causar daño a la



**ADVERTENCIA**  
No almacene, ni use gasolina ni otros vapores o líquidos inflamables cerca de este ni de ningún otro electrodoméstico. No deben almacenarse cilindros de gas propano líquido que no estén conectados para utilizarse cerca de este ni de ningún otro electrodoméstico.



## ADVERTENCIA

Si no se sigue con exactitud la información de este manual, puede resultar en un incendio o explosión que cause daño a la propiedad, lesiones personales, o pérdida de la vida.



**ADVERTENCIA:** Solo para uso en exteriores. La instalación y servicio deben ser realizados por un instalador calificado, una agencia de servicio, o el proveedor de gas.



## ADVERTENCIA

Una instalación, ajuste, alteración, servicio o mantenimiento indebido puede causar daño corporal o de propiedad. Lea atentamente el manual del usuario antes de instalar o hacerle cualquier tipo de mantenimiento a este equipo. Si no se sigue la información de este manual exactamente al pie de la letra, un incendio o una explosión puede resultar causando daño de propiedad, daño corporal o muerte.

**INSTALADOR:** Deje este manual con el aparato.

**CONSUMIDOR:** Conserve este manual para futura referencia.



## PELIGRO



## PELIGRO DE MONÓXIDO DE CARBONO

Este electrodoméstico puede producir monóxido de carbono, el cual no produce olor. Su uso en espacios cerrados puede ser fatal. Nunca use este electrodoméstico en un espacio cerrado, como dentro de remolques, carpas, automóviles o casas.



Antes de montar o de utilizar este aparato, lea todo este manual detenidamente. El no hacerlo puede causar un incendio, una explosión, una herida o la muerte.

### **ADVERTENCIA**

- La instalación de este aparato debe cumplir con los códigos locales o con el Código de almacenamiento y manejo de propano, CSA B149.2.
- ¡ESTE APARATO ESTÁ DISEÑADO ÚNICAMENTE PARA EL USO EN EXTERIORES! Este producto debe utilizarse al aire libre, en un espacio ventilado, y no debe utilizarse en cualquier área cerrada.
- ¡Se debe utilizar este aparato únicamente con el gas propano! (en venta por separado)
- No conecte un suministro de gas remoto a este aparato.
- Utilice únicamente el gas propano con este aparato.
- No utilice cualquier combustible sólido o carbón en este aparato.
- Durante el encendido de este aparato, aléjese del quemador, porque la llama se encenderá y puede provocar lesiones.
- **ADVERTENCIA DEL GAS LP:** No supere una profundidad de 6.3 mm (1/4 pulg.) de rocas de lava/ piedras pómez/Lava Glass® en los orificios del quemador. El hacerlo sofocará la llama.
- Si una fuga en el tanque de gas propano está presente, es posible que escuche, vea o huelga un silbido. Haga lo siguiente: 1. Desconecte el tanque de gas propano. 2. No intente solucionar el problema usted mismo. 3. Póngase en contacto con su proveedor de gas o el departamento de bomberos para obtener ayuda.
- Aplicar demasiado propano puede provocar una acumulación de gas, lo cual no quemará. Permita la entrada de aire fresco en el aparato para que el gas restante pueda escapar.
- No utilice una llama para verificar que no haya fugas de gas.
- Presión del Colector: 11 pulgadas w.c. (2.74 kPa).
- Utilice tanques de propano LP con las dimensiones siguientes: diámetro de 30.5 cm (12 pulg.), altura de 45.7 cm (18 pulg.) - capacidad de 20 libras.
- Hay que utilizar un tanque de propano con un cuello para proteger la válvula del tanque.
- NO llene el tanque a un nivel más de 80%.
- El sistema de suministro del tanque debe estar diseñado para la extracción de vapor.
- Descontinúe el uso si una parte del tanque de propano está dañada. La corrosión y las abolladuras pueden ser peligrosas y se deben revisar por un proveedor de gas.
- No queme otra cosa que los materiales proporcionados para esta mesa con chimenea.
- Aléjese del aparato durante los 20 primeros minutos después del encendido por primera vez, porque las rocas de lava/ piedras pómez/Lava Glass® podrían saltar y provocar lesiones. Si algunas piedras saltan afuera, deséchelas.
- Siempre asegúrese de que las rocas de lava/ piedras pómez/Lava Glass® estén completamente secas antes del uso. El no hacerlo puede rajarlas o hacer que salten.
- No utilice el aparato hasta que todas las piezas estén completamente montadas.
- No pinte ni coloree ninguna parte de este aparato de calefacción.
- El aparato puede estar caliente al usarlo; no intente moverlo mientras esté en uso.
- Nunca deje este aparato de calefacción sin vigilancia durante el uso.
- Este aparato no está diseñado para cocinar.
- Mantenga los artículos inflamables lejos y no utilice otra funda de chimenea para este aparato.
- Manténgase a una distancia segura para evitar la quema de la piel o de la ropa.
- No se siente ni descanse las manos o los pies en este aparato de calefacción.
- Nunca ponga las manos o los dedos en la parte superior de este aparato durante el uso.

- Manténgase a una distancia segura para evitar la quema de la piel o de la ropa.
- No se siente ni descanse las manos o los pies en este aparato de calefacción.
- Nunca ponga las manos o los dedos en la parte superior de este aparato durante el uso.
- Mantenga los cables eléctricos y la manguera de suministro de gas alejados de superficies calentadas.
- Materiales combustibles deberían situarse a una distancia mínima de 1.52 m (60 pulg.) de la parte superior del aparato, o de 1.21 m (48 pulg.) alrededor del aparato entero.
- Mantenga el área del aparato despejada y libre de materiales combustibles, gasolina y otros vapores y líquidos inflamables.
- Si la llama se apaga al quemar, apague la válvula de gas. Espere 5 minutos antes de repetir el proceso inicial de encendido. Una vez una llama se produce, mantenga oprimido el botón de control durante un minuto.
- No eche agua al aparato.
- No utilice este aparato si cualquier parte ha sido sumergida en agua. Llame de inmediato a un técnico en mantenimiento calificado a fin de que inspeccione el electrodoméstico y reemplace cualquier pieza del sistema de control y cualquier control de gas que haya estado bajo agua.
- No desconecte ninguna pieza durante el uso del aparato.
- No almacene un tanque de propano de recambio encima o cerca de este aparato.
- Si el aparato de calefacción está en interiores, desconecte el tanque de propano y déjelo afuera.
- No utilice este aparato en un vehículo o barco. Hay que utilizar este aparato ÚNICAMENTE en terreno plano afuera.
- Retire siempre la funda protectora antes del uso (si procede).
- No ponga la funda protectora sobre el aparato hasta que esté apagado y completamente enfriado.
- Realice un ensayo de fugas después de períodos largos sin uso.
- **Los niños nunca deben usar este aparato. Se debe vigilar a los niños cuando están cerca de este aparato.**
- Mantenga el tanque de gas a una distancia mínima de 1.5 m (5 pies) del aparato cuando está encendido. (para un tanque externo)
- Suministro máximo de gas: 250 PSI; Suministro mínimo de gas: 10 PSI.
- **La instalación y los arreglos se deben efectuar solamente por un técnico de servicio calificado. Se debe revisar este aparato una vez al año y limpiarlo regularmente.**
- Revise todos los elementos de este aparato de calefacción antes de cada uso. Si hay daño, hay que reemplazar el quemador.
- Coloque la manguera fuera de senderos para eliminar daños accidentales. (para un tanque externo)
- Tenga en cuenta los peligros de temperaturas elevadas y manténgase fuera del aparato para evitar quemaduras o lesiones.
- El tanque de propano debe ser fabricado y marcado según las especificaciones para tanques de gas LP del U.S. Department of Transportación (DOT) o de la Norma nacional de Canadá, CAN/CSA-B 339, Cilindros de gas, esferas y tubos para el transporte de mercancías peligrosas; y comisión.
- El tanque de gas LP debe tener un dispositivo homologado de protección contra el sobrellenado y una conexión QCCI o de Tipo 1 (CGA791) para tanque de gas LP.
- No se debe utilizar este aparato de calefacción sobre plataformas de plástico o de madera artificial.
- **Los niños y los adultos deben mantenerse alertas a los peligros de las temperaturas altas de superficie y mantener una distancia prudente para evitar quemaduras o incendio de ropa.**
- **Se debe vigilar con mucho cuidado a los niños pequeños cuando están cerca al aparato.**
- **No se debe colgar ropa u otros materiales inflamables del aparato ni puestos encima o cerca del aparato.**
- **Se debe reemplazar cualquier dispositivo de protección que se haya quitado para el servicio del aparato antes de usarlo.**

## INFORMACIÓN DE SEGURIDAD

- La instalación y los arreglos se deben efectuar solamente por una persona de servicio titulada. Se debe revisar el aparato antes de usarlo y por lo menos una vez al año por una persona de servicio titulada. Puede requerirse limpieza frecuente. Es imperativo que el compartimiento de control, quemadores y pasajes de circulación de aire del aparato se mantengan limpios

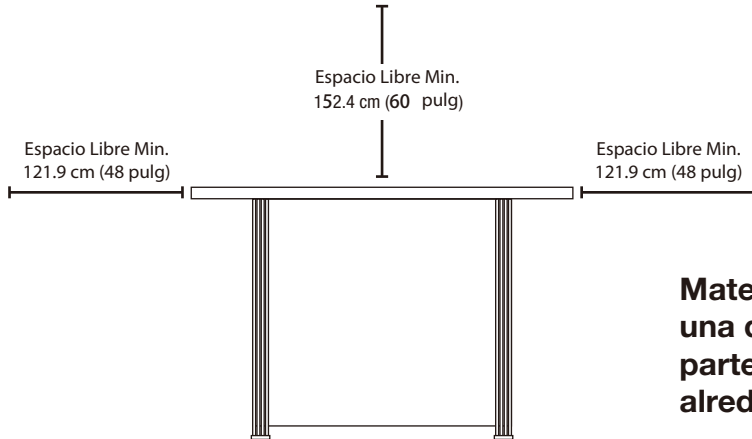
### SI PROCEDE:

- Deje que se enfríe completamente el aparato de calefacción antes de poner la funda.
- NO utilice el aparato de calefacción cuando la funda está instalada. Retire siempre la funda cuando el aparato de calefacción se usa.

Utilice únicamente el regulador y el ensamblaje de manguera provistos con este aparato. Las piezas de repuesto deben ser proporcionadas directamente por Bond Manufacturing Co., Inc. .

Revise el quemador antes del uso de este aparato. Si el quemador presenta daños de cualquier tipo, no utilice el aparato. Para obtener ayuda con la reparación o el reemplazo del quemador o de cualquier otra pieza, comuníquese con Bond Manufacturing Co., Inc. al 1.866.771.2663.

**NOTA:** Tiene que seguir todos los pasos para montar correctamente este aparato de calefacción. Asegúrese de que la válvula de gas esté en la posición 'OFF' antes del montaje. NO intente montarlo sin las herramientas adecuadas.



**Materiales combustibles deberían situarse a una distancia mínima de 1.52 m (60 pulg.) de la parte superior del aparato, o de 1.21 m (48 pulg.) alrededor del aparato entero.**



AA



BB



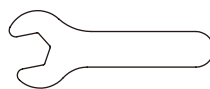
CC



DD



EE



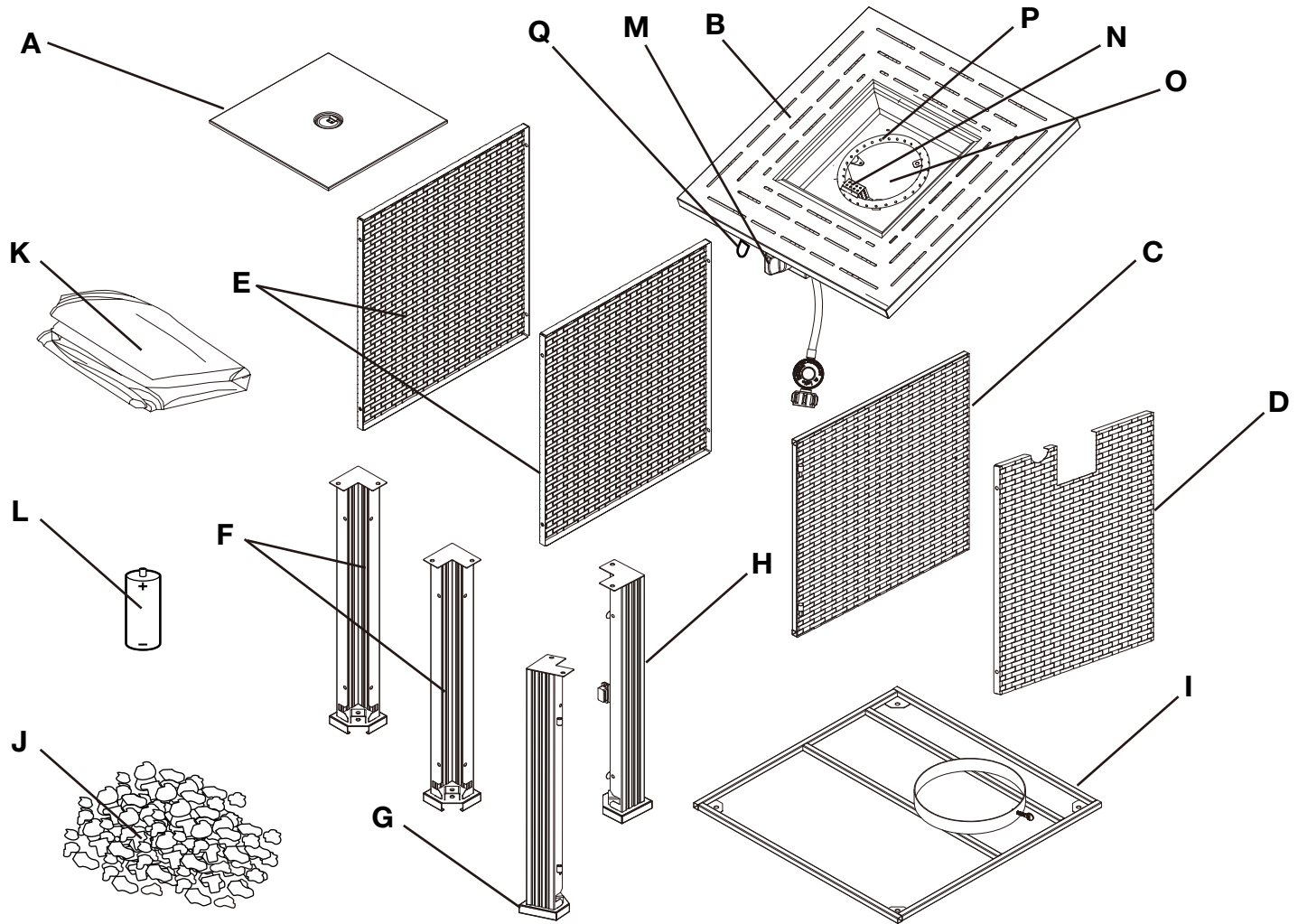
FF

Artículo	Descripción	Cant.
AA	Tornillo M6 x 10	24
BB	uerca M6	12
CC	Tornillo M4 x 8	1
DD	Arandela	1
EE	Perilla de puerta	1
FF	Llave	1

Antes de comenzar a ensamblar el producto, asegúrese de tener todas las piezas. Compare las piezas con la lista del contenido del paquete y la de aditamentos. No intente ensamblar el producto si faltan piezas o si estas están dañadas.

**Tiempo estimado de ensamblaje:** 30 minutos

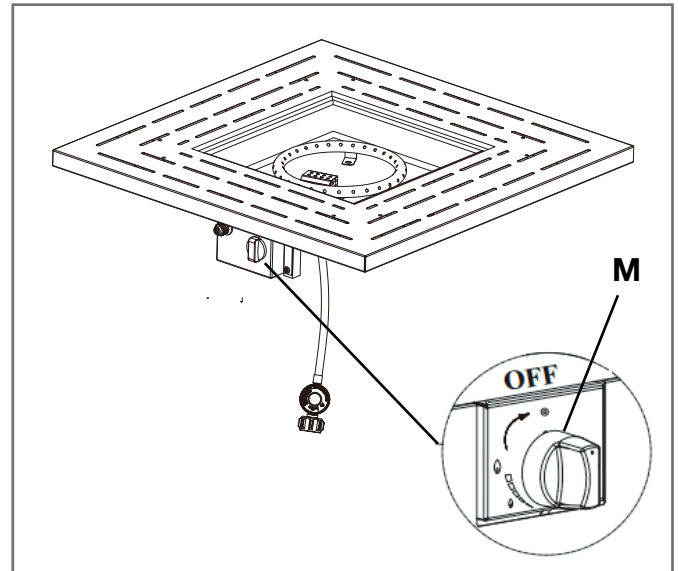
Herramientas necesarias para el ensamblaje (se incluyen): Destornillador Phillips



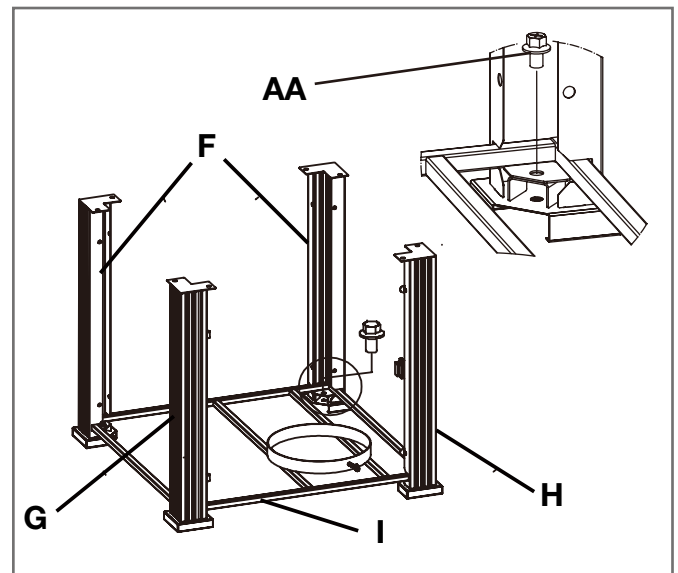
Artículo	Descripción	Cant.
A	Tapa	1
B	Tapa de mesa	1
C	Puerta	1
D	Panel frontal	1
E	Panel lateral	2
F	Pata izquierda	2
G	Pata delantera Derecha	1
H	Pata trasera derecha	1
I	Pedestal de metal	1
J	Rocas volcánicas	1 caja (3 kg)
K	Runa de PVC	1
L	Batería (AAA)	1
M	Botón de control (premontado)	1
N	Dispositivo de seguridad (premontado)	1
O	Chimenea (premontado)	1
P	Quemador (premontado)	1
Q	Encendedor eléctrico (premontado)	1

# INSTRUCCIONES DE MONTAJE

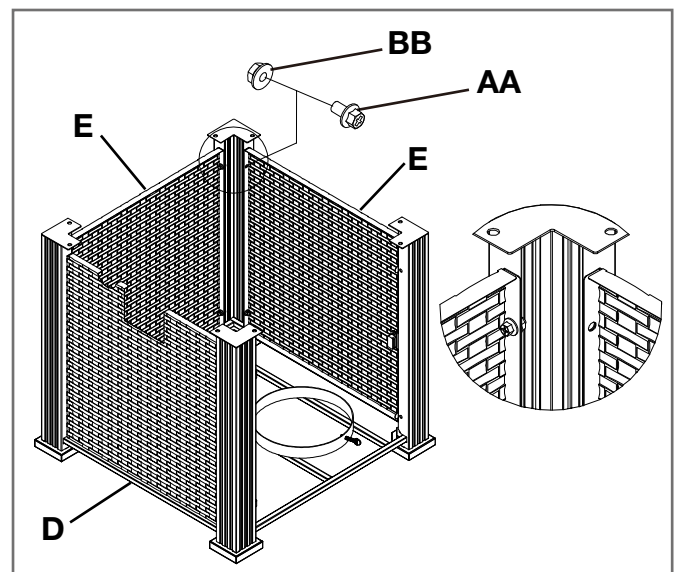
1. Verifique que el botón de control (M) para el sistema de suministro de gas esté en la posición 'OFF' antes de empezar cualquier montaje.



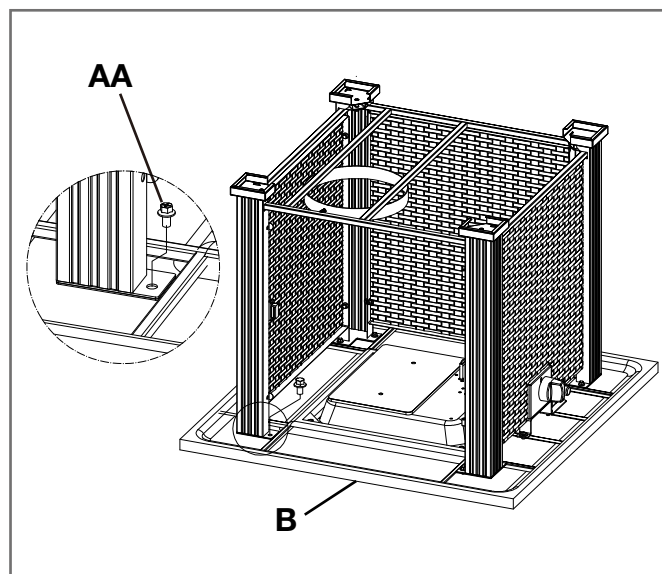
2. Adose la pata delantera derecha (G), la pata trasera derecha (H) y las 2 patas izquierdas (F) al pedestal de metal (I) con los 4 tornillos M6 x 10 (AA).



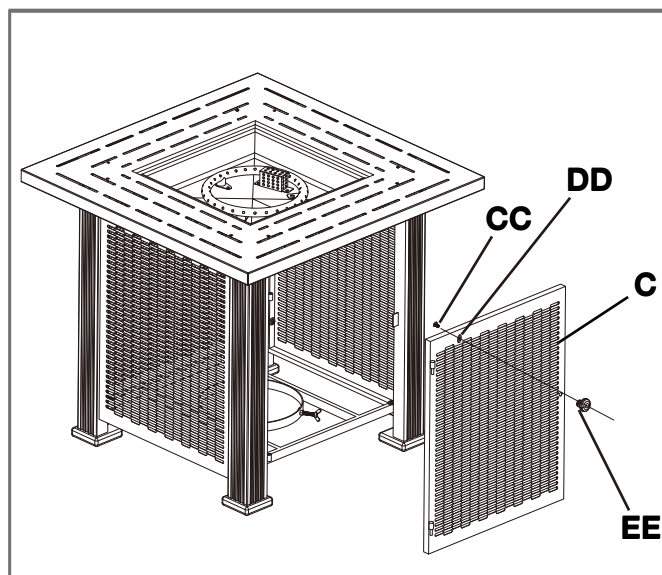
3. Adose los 2 paneles laterales (E) y el panel frontal (D) a las patas con los 12 tornillos M6x10 (AA) y las 12 tuercas M6 (BB).



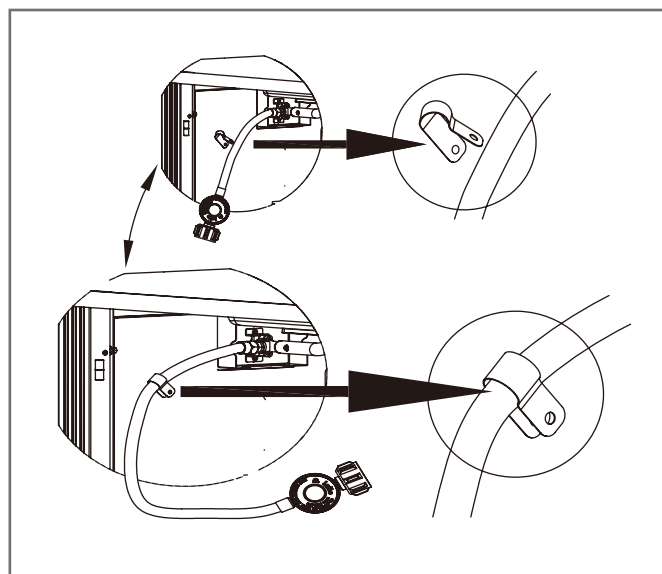
4. Adose la base de acero a la parte inferior de la tapa de mesa (B) con los 8 tornillos M6x10(AA).



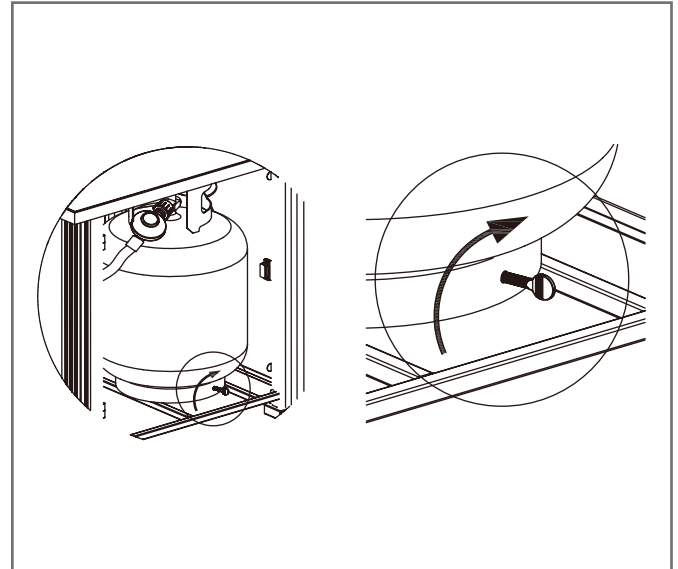
5. Inserte la puerta (C) en la pata delantera derecha y adose la perillade puerta (EE) a la puerta con el 1 tornillo M4 x8 (CC) y la 1 arandela (DD).



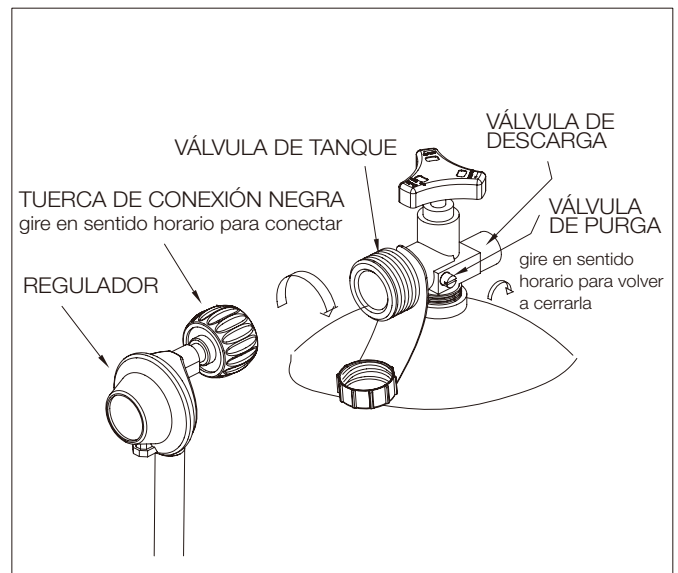
6. Adose la manguera del regulador firmemente en el soporte.



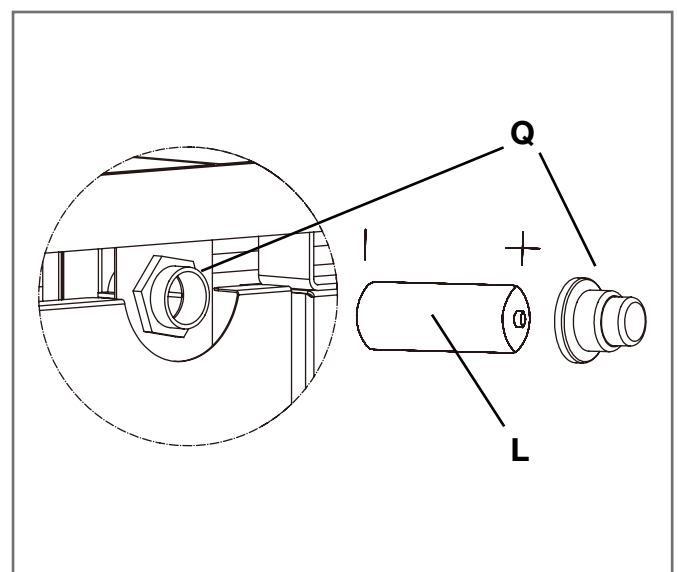
7. Coloque el tanque de gas (no incluido) en el soporte de metal (I). Asegúrese de que el tanque de gas quede firmemente en el soporte de metal (I) dentro del cuerpo. Gire el tornillo de mariposa al exterior del soporte de metal (I) en sentido horario para bien fijar el tanque de gas propano.



8. Gire la válvula del tanque en sentido horario para cerrar el tanque de propano. Conecte el regulador premontado del cuerpo (B) a la válvula girando la tuerca de acoplamiento del regulador en sentido horario. Asegúrese de que esté bien fijado y apriete las conexiones a mano solamente.



9. Retire el capuchón de goma del encendedor eléctrico (Q) destornillándolo y deslice la pila (L) en el compartimiento de la pila. Asegúrese de que el lado positivo de la pila esté hacia el exterior. Enrosque bien el capuchón del encendedor eléctrico (Q) sobre la pila.

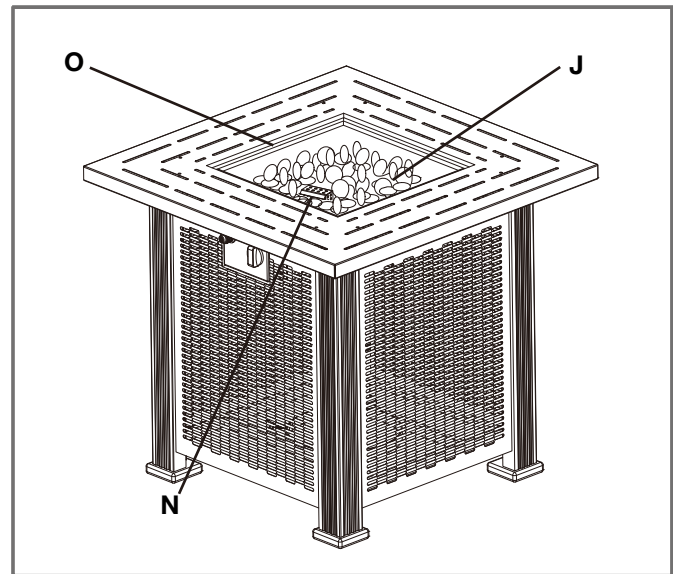


## INSTRUCCIONES DE MONTAJE

10. Vierta la caja de piedras pómez (J) en el cuerpo (O) de la chimenea.

### **!** ADVERTENCIA

Para asegurar un funcionamiento adecuado, la pantalla (N) de este quemador (P) debe estar libre de rocas de lava en todo momento.



Antes de realizar un ensayo de fugas, asegúrese de que ninguna chispa pueda producirse y que usted esté en un espacio exterior amplio. Conecte el tanque de gas propano al regulador y gire la válvula del aparato a la posición 'off'. Aplique con cepillo una mezcla de agua jabonosa en todas las conexiones. Abra el suministro de gas; si burbujas se producen en cualquier conexión, puede haber una fuga. **Si huele a gas o encuentra una fuga, cierre la válvula de gas, desconecte el tanque de gas propano y no utilice el aparato hasta que se repare la fuga.**

No utilice el aparato de calefacción sin revisar la manguera de gas. Si hay signos de desgaste o abrasión debe reemplazar la manguera (si procede). Las piedras pómez/rocas de lava/Lava Glass® podrían saltar y golpear la cara de alguien durante el proceso de encendido de este aparato; aléjese del aparato durante los 20 primeros minutos después del encendido. La llama debe ser amarilla/azul y de una altura de 5-25 cm (2-10 pulgadas).

Espere 50 minutos después de apagar la llama antes de colocar una cubierta (si procede) o una funda protectora encima del aparato de calefacción.

### Para encender

1. Asegúrese de que el botón de control (M) esté en la posición 'off'.
2. Abrir la puerta (C) y abra lentamente la válvula del tanque de propano girando el botón en sentido antihorario.
3. Cerrar a colocar la puerta (C) en la cuerpo.
4. Oprima y mantenga el el encendedor eléctrico (Q) para crear chispas en el electrodo; continúe manteniéndolo.
5. Oprima el botón de control (M) y gírelo a la posición 'high'. Mantenga oprimido el botón de control (M) para permitir la circulación de gas durante 45 segundos.
6. Si no se enciende en algunos segundos, suelte el botón de control (M) y gírelo a la posición 'OFF'. Espere 5 minutos para que el gas se escape y repita las instrucciones de encendido arriba.
7. Una vez la chimenea encendida, la intensidad de la llama puede ajustarse girando el botón de control (M) entre las posiciones 'low' y 'high'.

### Para apagar

1. Gire el botón de control (M) a la posición 'high'; deje el botón salir y continúe girando el botón de control (M) a la posición 'off'.
2. Cierre la válvula del tanque de gas propano si no tiene intención de usarlo durante un período prolongado de tiempo.

- Antes de hacer cualquier mantenimiento, desconecte siempre el tanque de gas propano.
- **Almacene su producto en interiores durante los meses de invierno. El evitar las temperaturas extremas evitará daños resultantes de la exposición.**
- Mantenga el aparato de calefacción despejado y libre de materiales combustibles.
- Visualmente revise el quemador para obstrucciones, y mantenga el encerramiento del tanque despejado y libre de residuos.
- Utilice un cepillo suave para deshacerse de manchas pequeñas, suciedad y polvo cuando el quemador y las piedras pómez/rocas de lava/Lava Glass® se hayan enfriados totalmente. Limpie con un trapo suave.
- Severas condiciones climáticas pueden provocar manchas rebeldes, descoloración y posiblemente agujeros por el óxido.
- Daños permanentes pueden presentarse si un polvo o un disolvente entra en contacto con componentes pintados o plásticos de este aparato de calefacción.
- Almacene el aparato de calefacción fuera de la luz directa del sol.
- Para el almacenamiento de este aparato en interiores, desconecte el tanque de gas propano de la válvula de gas.
- El no usar piezas y accesorios aprobados o provistos por el fabricante puede ocasionar un estado defectuoso y anular la garantía de este aparato de calefacción.
- Coloque siempre la cubierta (si procede) o la funda protectora en el aparato de calefacción cuando no se utiliza.

### **Mantenimiento de la superficie de Envirostone®**

Nuestro material Envirostone® se ha sellado con un tratamiento patentado para evitar manchas y la absorción de la humedad, pero necesita un mantenimiento apropiado para asegurar la integridad de la superficie. Abajo encontrará recomendaciones para el mantenimiento de su superficie de Envirostone® durante muchos años de placer:

- Limpie inmediatamente derrames para evitar una mancha permanente o daños en la superficie de Envirostone®. Seque derrames líquidos con un trapo limpio y seco o una esponja. Mezcle una solución de agua tibia limpia y de jabón suave para vajilla para eliminar suciedad en la superficie o derrames pequeños. La limpieza periódica de la superficie de Envirostone® dará un producto de mayor duración.
- No utilice productos de limpieza abrasivos o con base de petróleo. No utilice cepillos duros para la limpieza de la superficie de Envirostone®.
- No deslice productos a través de la superficie de Envirostone® para evitar rasguños permanentes y daños.
- Utilice siempre posafuentes de protección como posavasos y manteles individuales cuando come cerca de una superficie de Envirostone®. Estos productos de protección ayudarán la absorción de gotas de agua en vasos de bebida fría y bloquearán anillos causados por el calor debajo de una taza o un plato caliente. Cuando coloque platos calientes sobre una superficie de Envirostone®, debe utilizar siempre manteles individuales o agarraderas.
- Hay que cubrir la superficie de Envirostone® en todo momento cuando no se utiliza. Cubra su producto con una funda para muebles de exterior cuando no se utiliza para protegerlo de los elementos. Almacene su producto en interiores durante los meses de invierno. El evitar las temperaturas extremadamente frías evitará la formación de grietas en el tablero de mesa.

# RESOLUCIÓN DE PROBLEMAS

Problema	Causa	Solución
El aparato de calefacción no se enciende.	El perno de encendido y el quemador están húmedos	Seque con un trapo suave
	La pila de encendido está insertada incorrectamente	Verifique la orientación de la inserción de la pila
	El perno de encendido está roto	Llame a Bond Manufacturing Co.,Inc. para obtener una pieza de repuesto
	Un cable de electrodo está suelto o desconectado	Vuelva a conectar el cable a la caja de encendido ubicada dentro de la base de la mesa atrás de la caja de encendido
	Un cable de electrodo provoca un cortocircuito entre la válvula y el perno de encendido	Llame a Bond Manufacturing Co.,Inc. para obtener una pieza de repuesto
El quemador no se enciende cuando se usa un cerillo	Ningún flujo de gas	Compruebe si el tanque de gas esté vacío
	El regulador no está bien conectado al tanque	Apriete la conexión del regulador al tanque de gas
	El flujo de gas está obstruido	Revise todas las mangueras en búsqueda de curvas bruscas y vueltas
	Los orificios de quemador están atascados	Cierre todas las conexiones de flujo de gas. Inserte un sujetapapeles (o un artículo similar) en cada orificio de quemador para limpiarlos
El aparato emita mucho humo negro	La llama está obstruida en los orificios de quemador	Asegúrese de que todos los orificios de quemador estén libres de pequeñas piedras de lava/piedras pómez/Lava Glass®
	La manguera del regulador está aplastada	Enderece todas las curvas bruscas o vueltas en la manguera
Caída repentina del flujo de gas	Ningún flujo de gas	Compruebe si el tanque de gas esté vacío
	El dispositivo de seguridad de exceso de flujo se ha activado	Gire el botón de control a la posición 'off'. Cierre la válvula del tanque y desconecte el tanque de gas propano. Gire el botón de control a la posición 'high'; espere un minuto. Vuelva a girar el botón de control a la posición 'off'. Vuelva a conectar el tanque de gas propano. Encienda el aparato como indicado en la sección 'Para encender' de este manual.
La llama se apaga fácilmente	Vientos fuertes o racheados	Aumenta la llama a 'high'
	Ningún flujo de gas	Compruebe si el tanque de gas esté vacío
	El dispositivo de seguridad de exceso de flujo se ha activado	Ver 'Caída repentina del flujo de gas' arriba

## GARANTÍA

Este producto tiene una garantía de un año contra defectos de material y de mano.

La garantía del fabricante se anulará por, y el fabricante declina toda responsabilidad por, los actos siguientes:

- Modificación del aparato y/o de los componentes, incluyendo la unidad de válvula de suministro de gas.
- Uso de cualquier componente no fabricado o aprobado por Bond Manufacturing Co., Inc.
- Uso y instalación con fines ajenos a los indicados en las instrucciones de este manual.

Póngase en contacto con el fabricante para obtener piezas de repuesto.

## PONERSE EN CONTACTO

Si tiene alguna pregunta o preocupación, póngase en contacto con Bond Manufacturing Co., Inc. a los recursos abajo:

Teléfono sin cargos	1 866 771-BOND(2663) de lunes a viernes, de 8.00 a 16.30 PST
Correo electrónico	customer.service@bondmfg.com
En línea	www.bondmfg.com