

---

**NOTE:**

This brochure contains IMPORTANT safety info. Please read and keep for future reference.

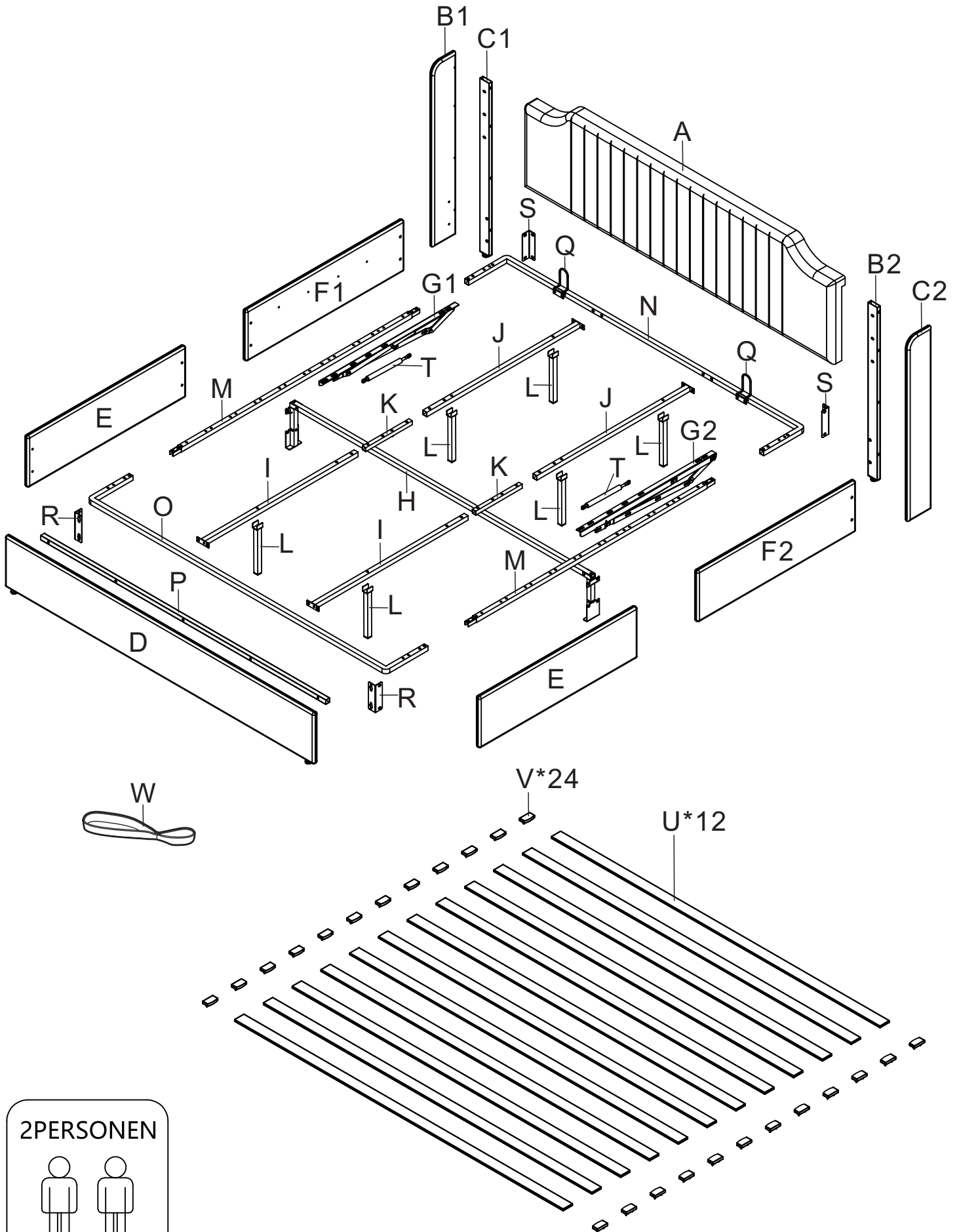
---

# MAINTAINANCE AND WARNING

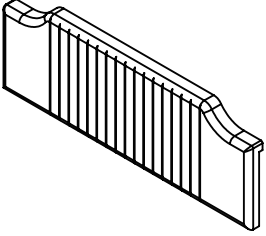
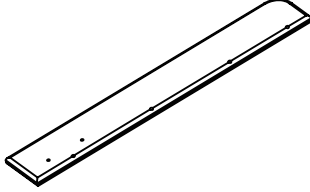
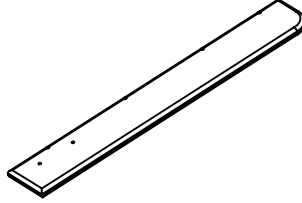
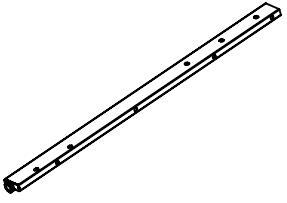
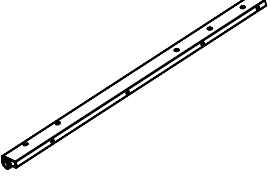
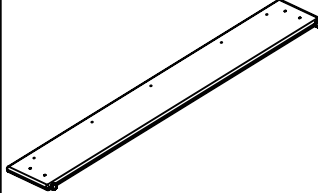
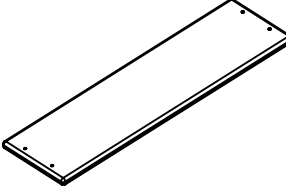
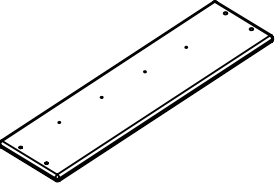
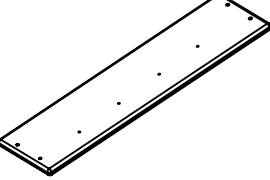
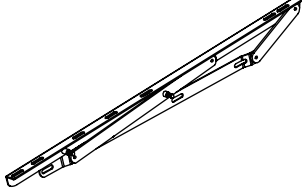
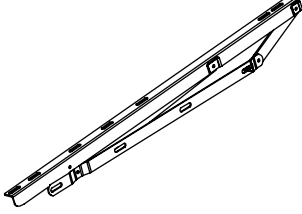
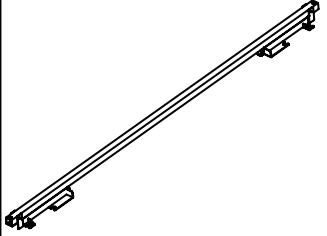
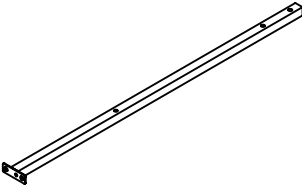
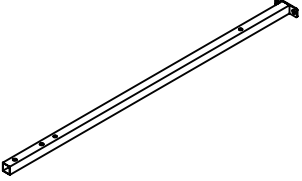
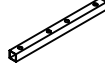
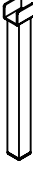
- 1.Keep furniture away from heat sources.
- 2.Do not clean furniture with harsh cleaner or polishes.Do not use detergents,solvents,abrasives,spray packs or leather cleaner. Use non-color mild soa with warm water to clean spills(Mix 1:10 soap to water).
- 3.Do not place furniture under direct sunlight,material will possibly fade over time.
- 4.Do not use on site dry cleaning machine.Children should not climb or jump on the furniture.
- 5.Do not write on furniture that is not protectedby a padded barrier.
- 6.Not for commercial use,only for residential use.



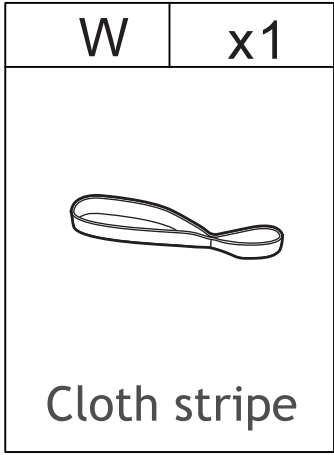
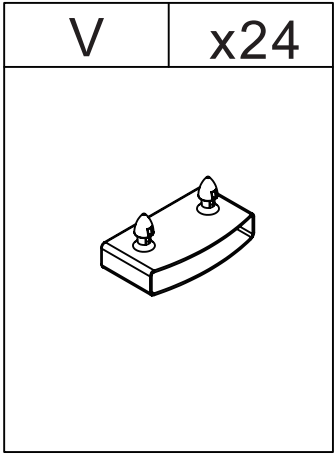
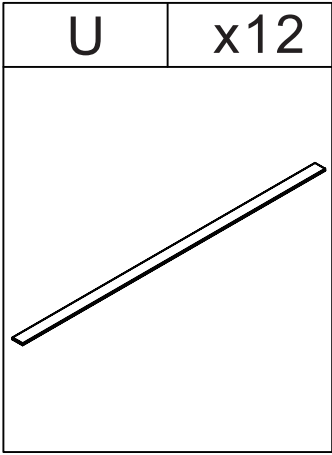
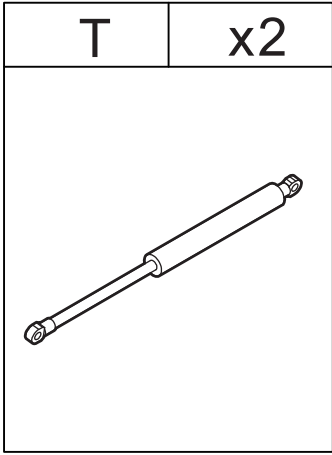
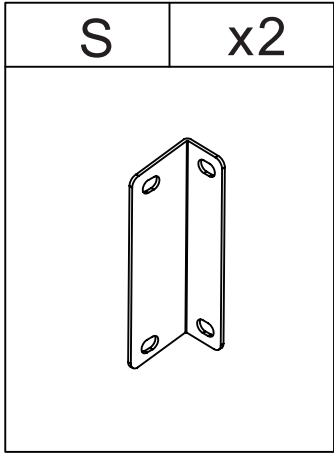
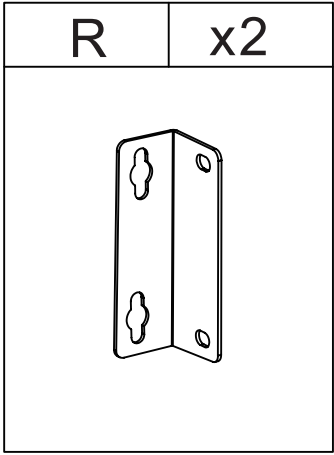
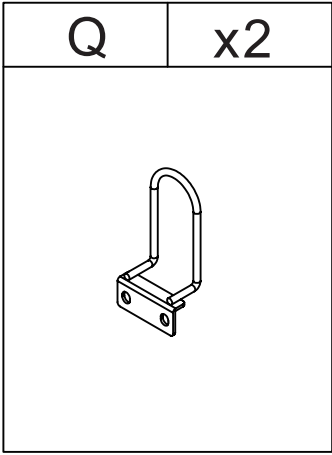
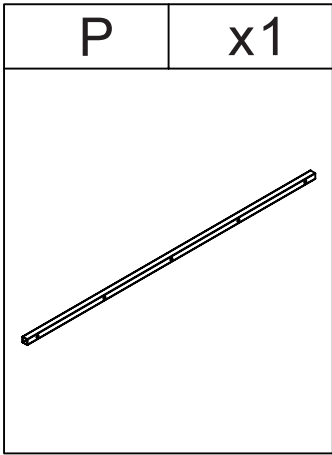
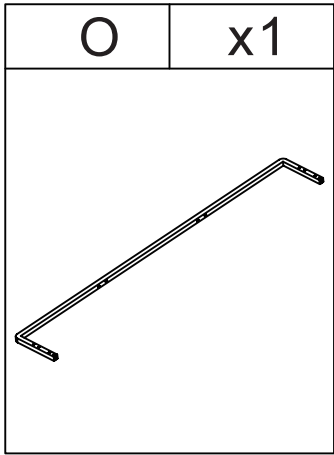
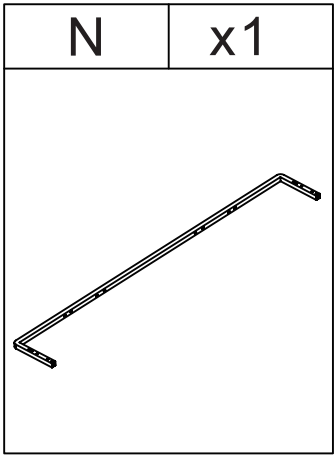
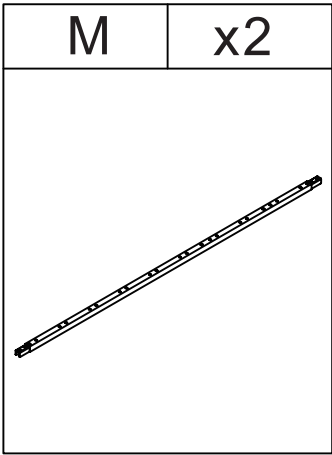
# EXPLOSIVE VIEW




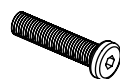





# PARTS LIST

A	x1	B1	x1	B2	x1	C1	x1
							
C2	x1	D	x1	E	x2	F1	x1
							
F2	x1	G1	x1	G2	x1	H	x1
							
I	x2	J	x2	K	x2	L	x6
							

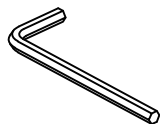
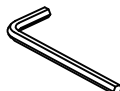

# PARTS LIST




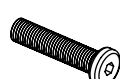





# HARDWARE LIST

#1	x48	#2	x31	#3	x8	#4	x8	#5	x8	#6	x12
											
M8*15mm		M8*40mm		M8*75mm		M6*35mm		M8* $\phi$ 19*1.5mm		M8	
#7	x6										
											
M8											

# TOOL LIST

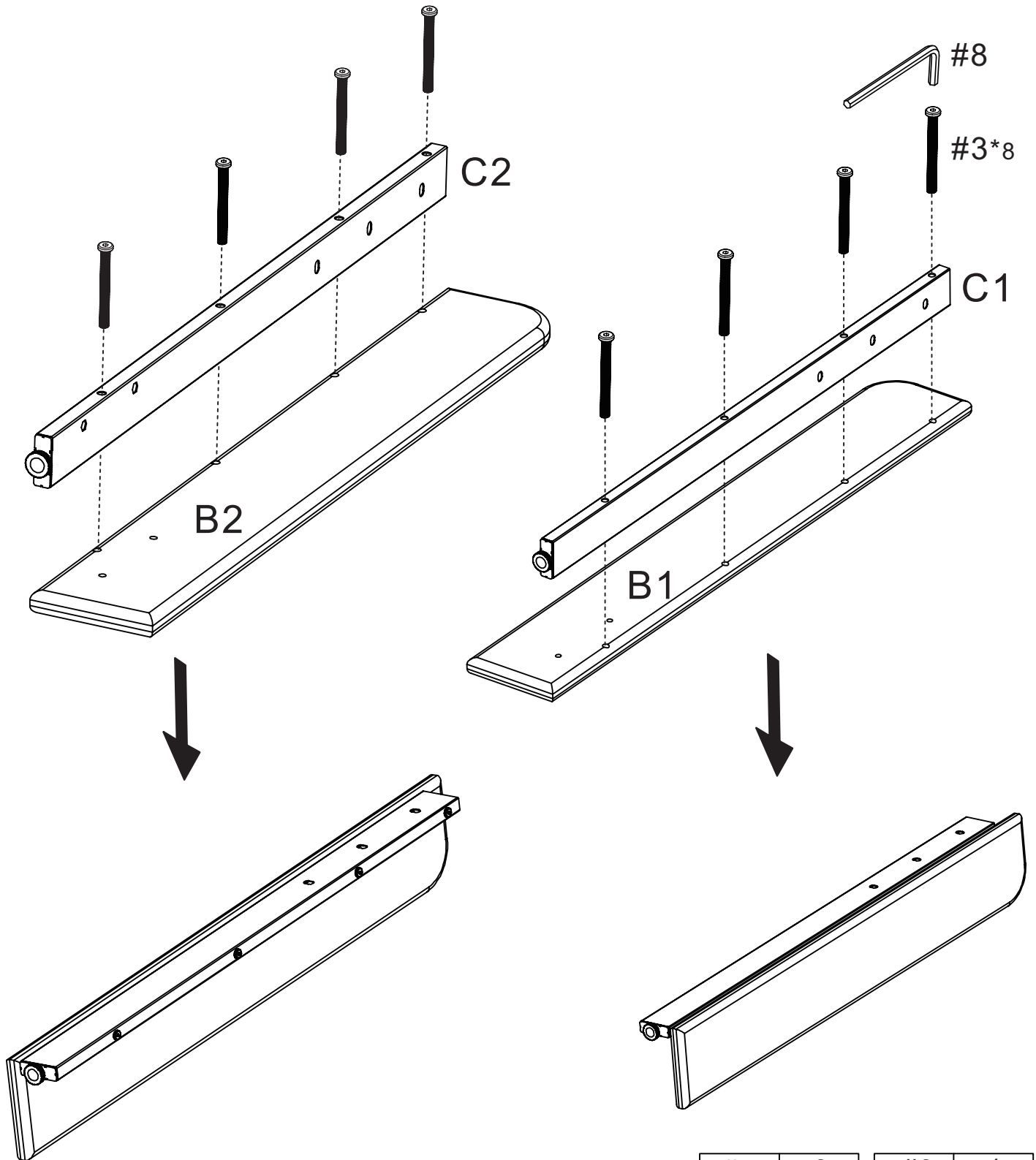
#8	x2	#9	x1	#10	x1
					
5mm*68L		4mm*57L		M8	


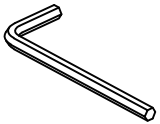
# HARDWARE SPARE LIST

#1	x2	#2	x1	#3	x1	#4	x1	#5	x1	#6	x1
											
M8*15mm		M8*40mm		M8*75mm		M6*35mm		M8* $\phi$ 19*1.5mm		M8	
#7	x1										
											
M8											

# ASSEMBLY INSTRUCTIONS

## STEP-1

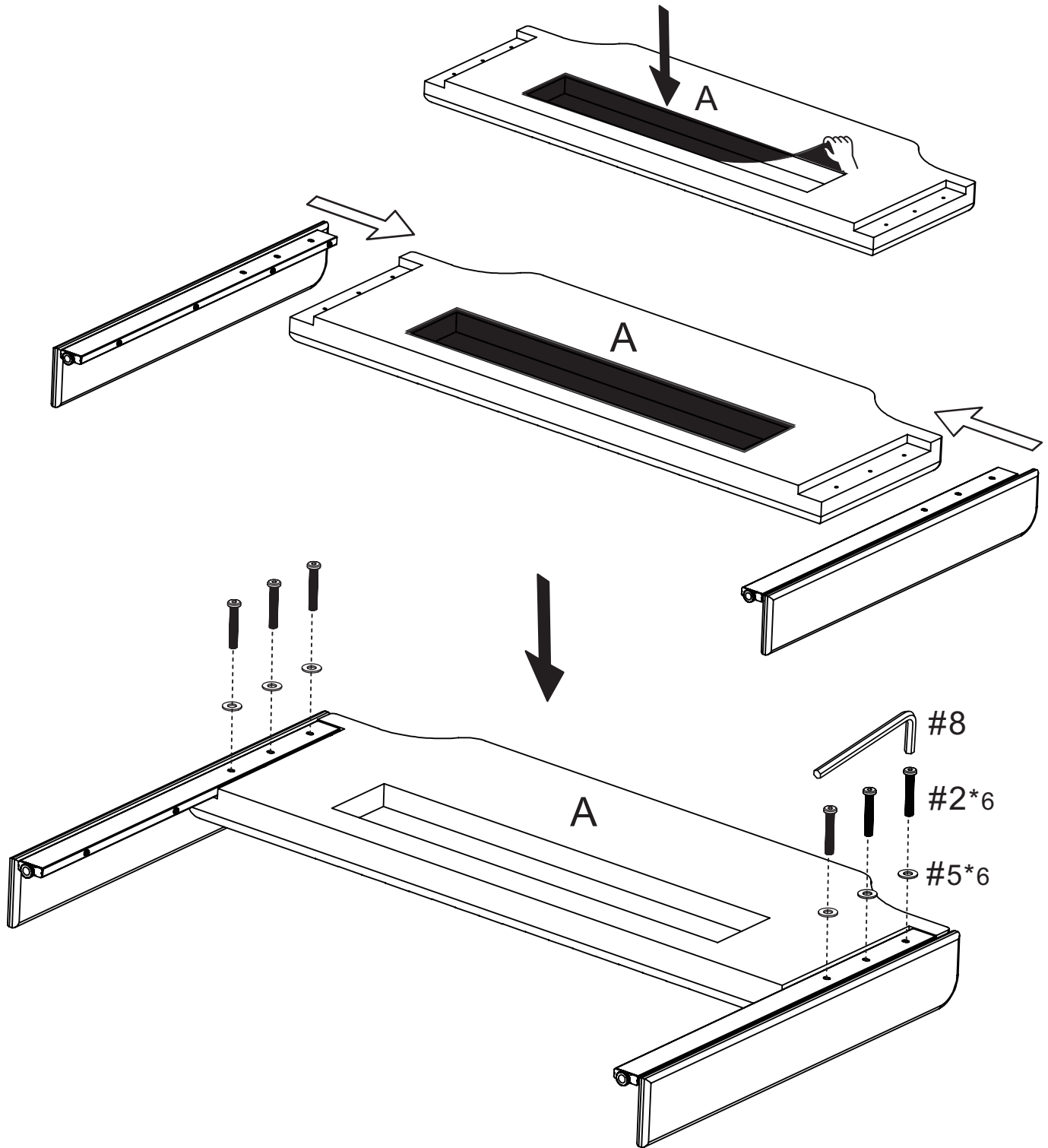


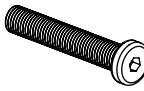

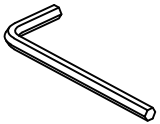
#3	x8	#8	x1
			
M8*75mm		5mm*68L	

# STEP-2

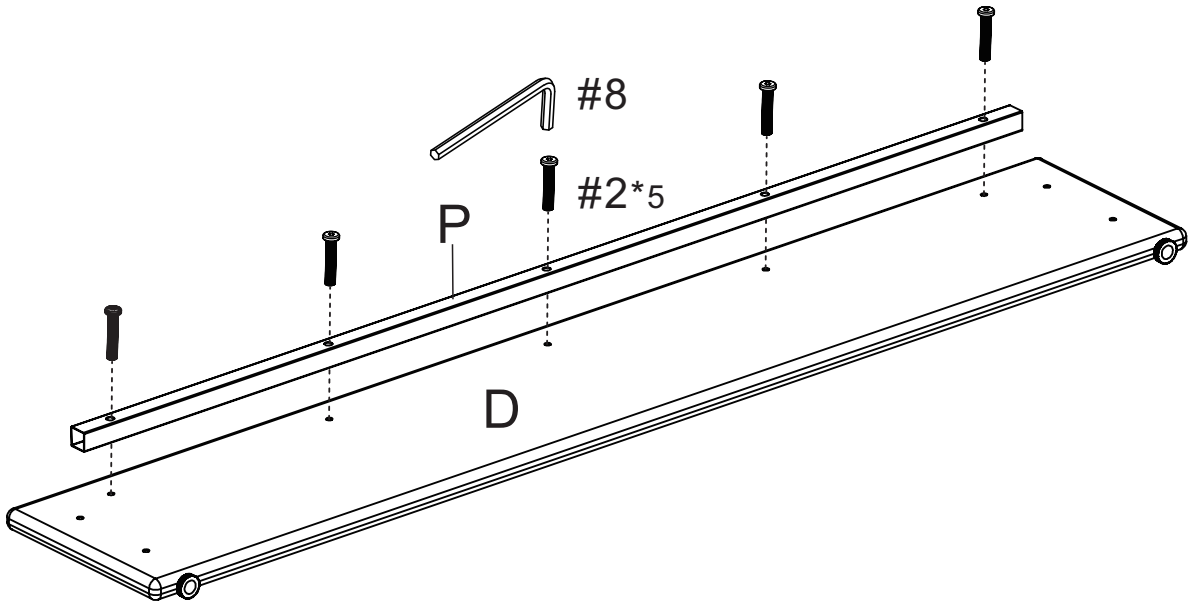
**Note:**

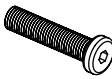
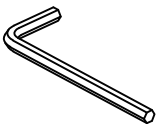
Some parts are on the back of the headboard



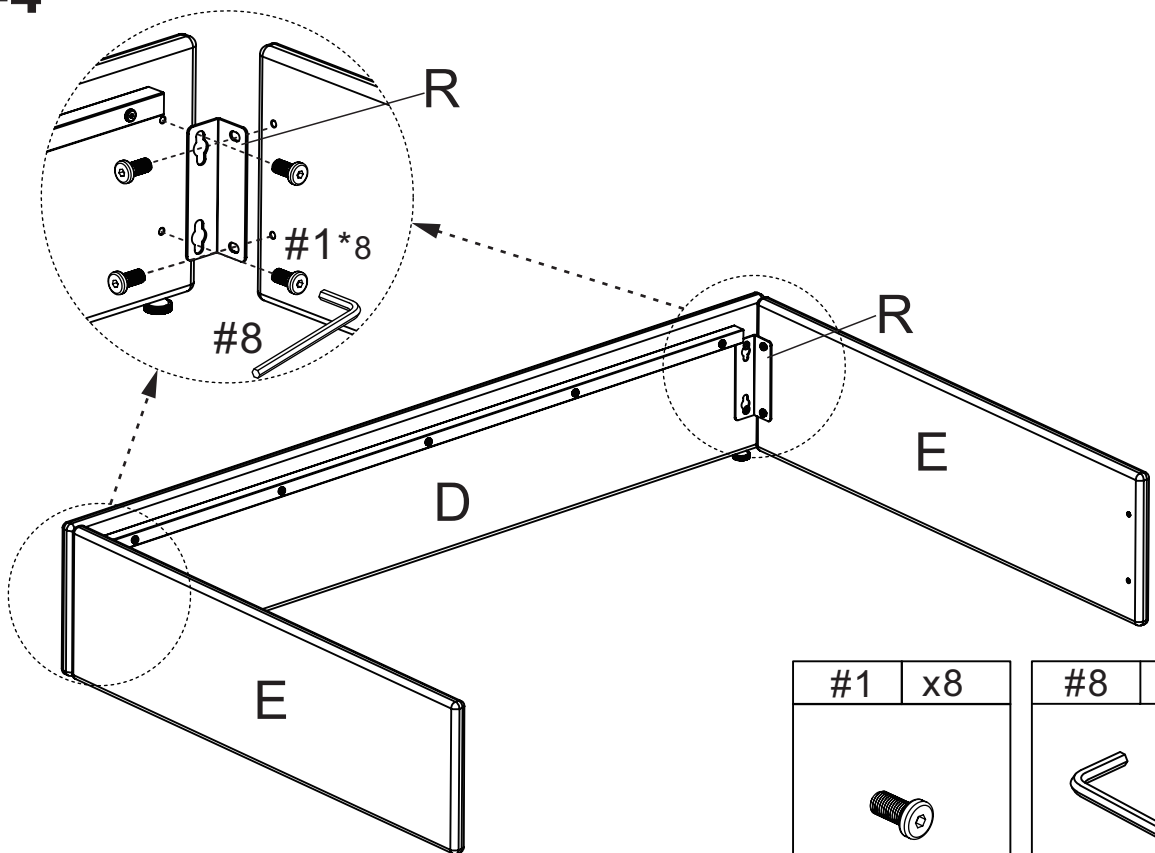
#2	x6	#5	x6	#8	x1
					
M8*40mm		M8 $\phi$ 19*1.5mm		5mm*68L	


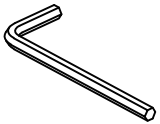
# STEP-3



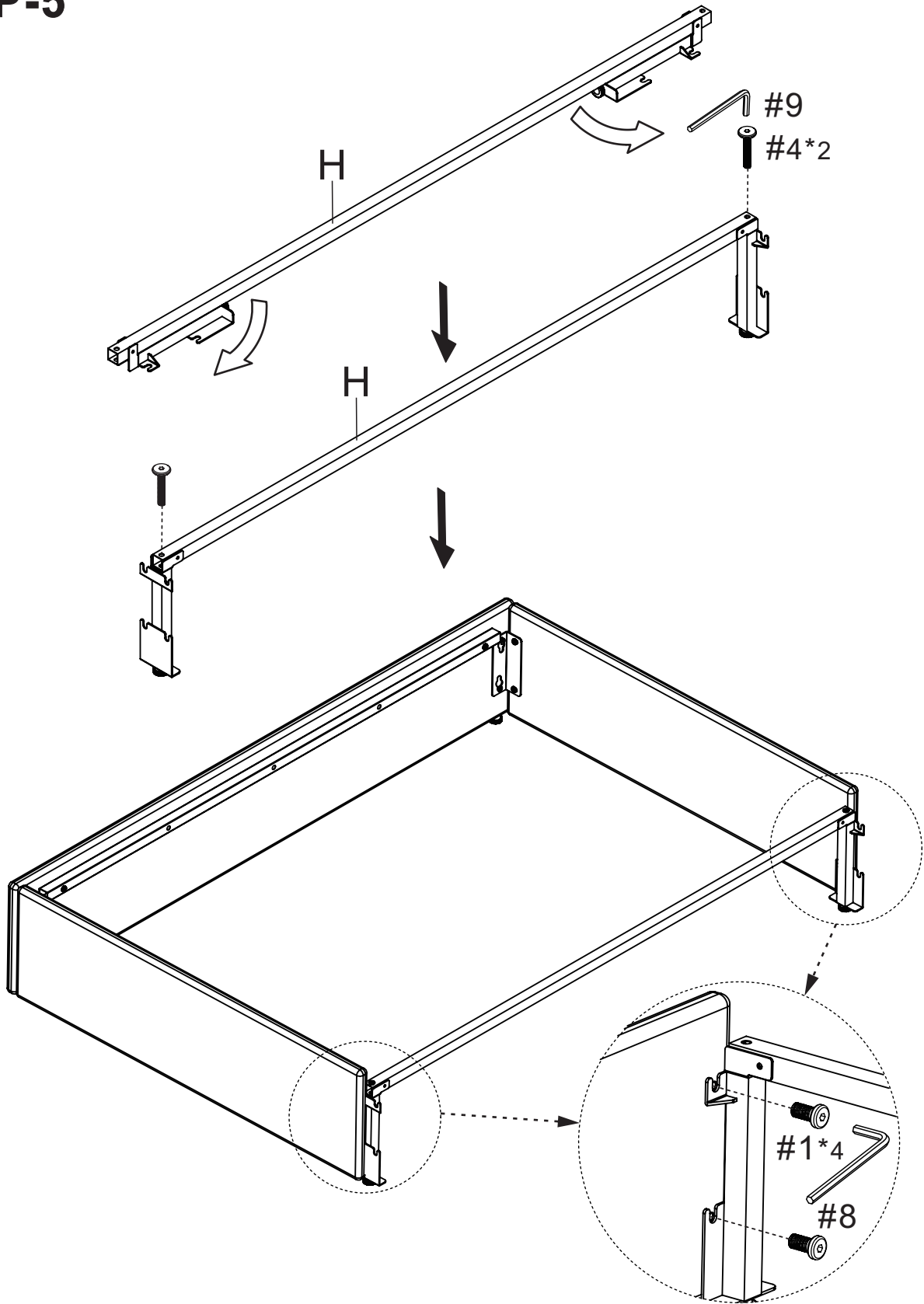
#2	x5	#8	x1
			
M8*40mm		5mm*68L	



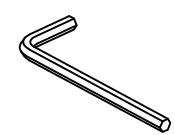

# STEP-4



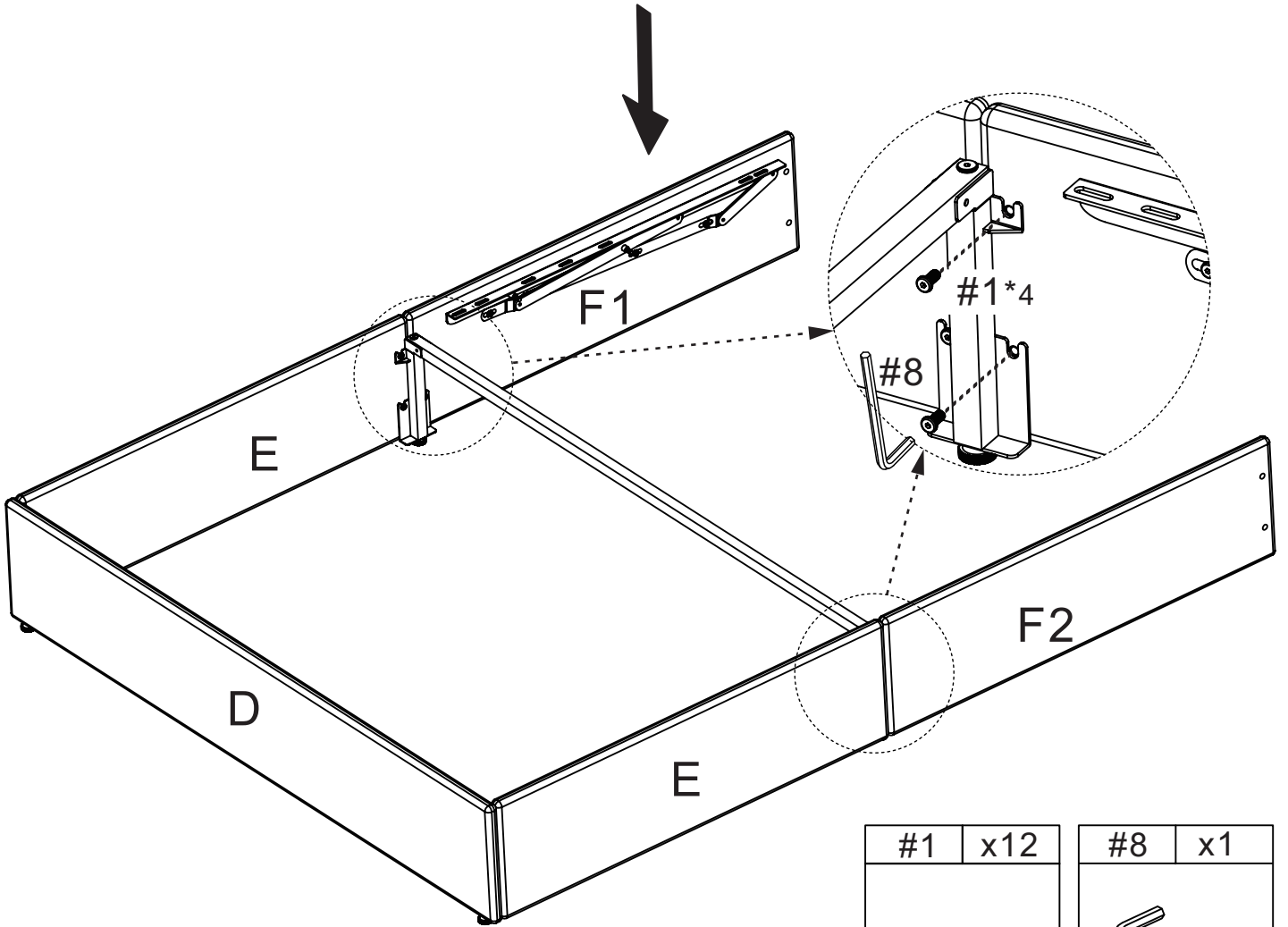
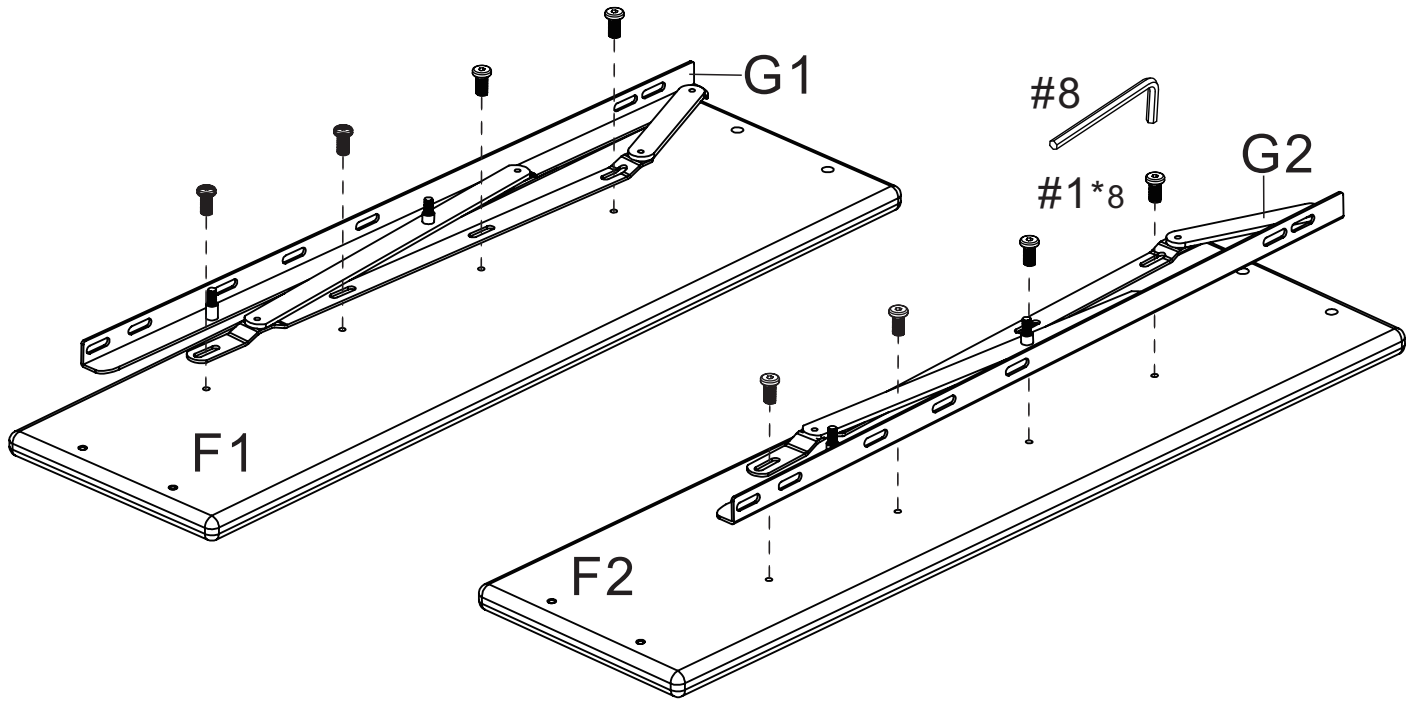
#1	x8	#8	x1
			
M8*15mm		5mm*68L	


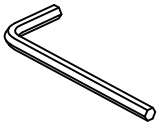
# STEP-5



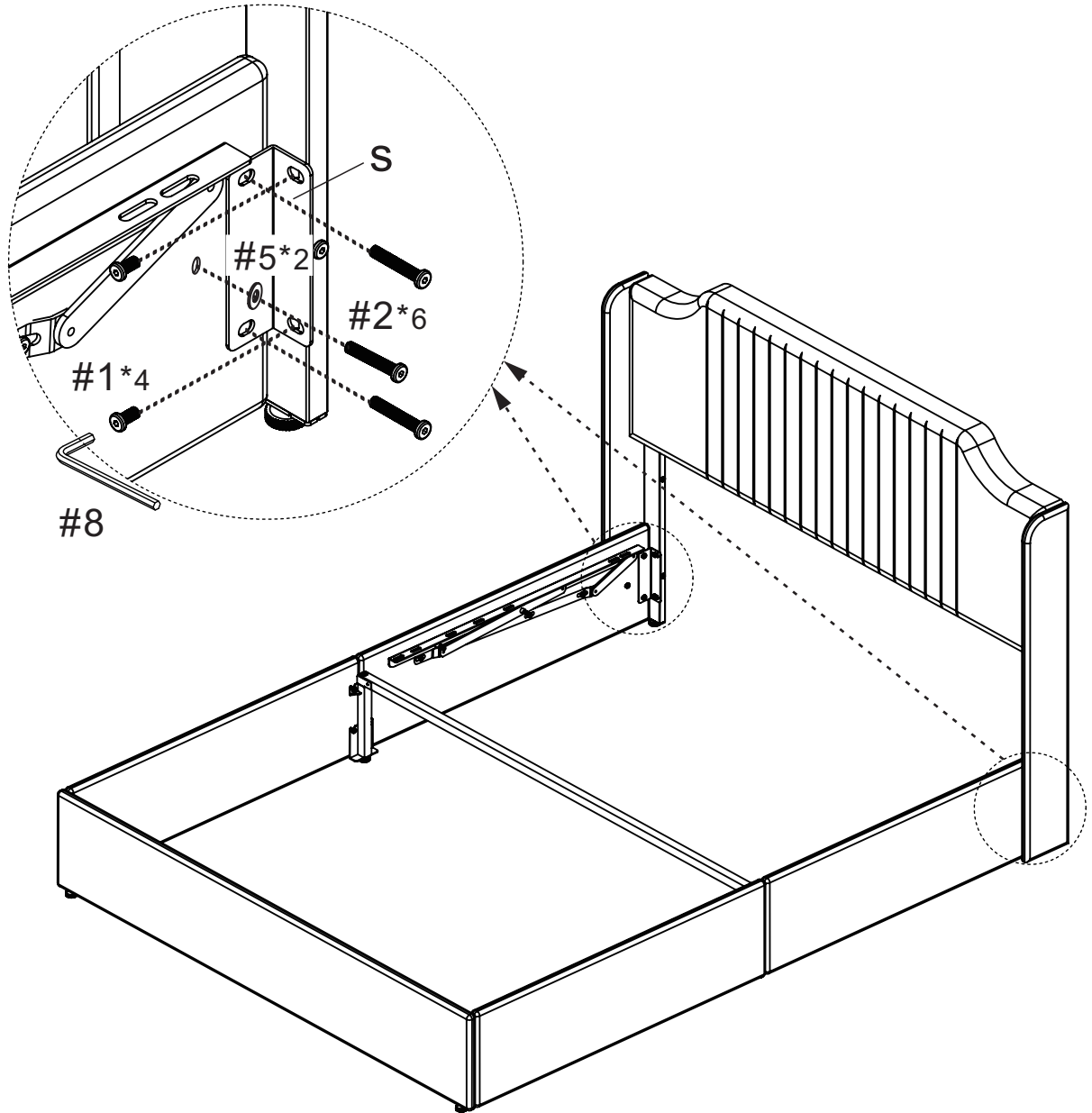
#1	x4	#4	x2	#8	x1	#9	x1
							
M8*15mm		M6*35mm		5mm*68L		4mm*57L	


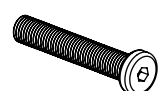

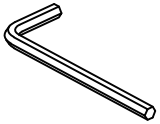
# STEP-6



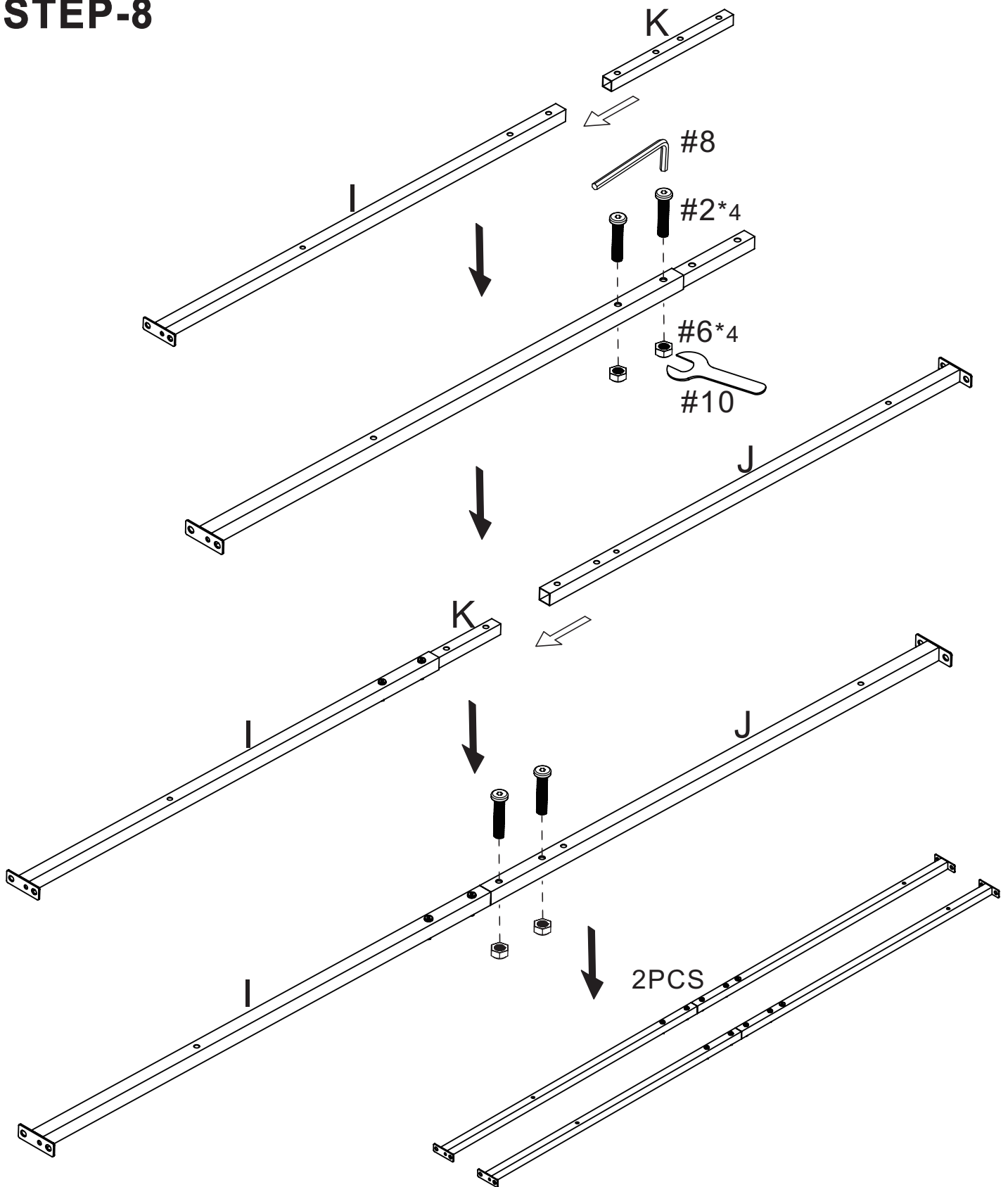
#1	x12	#8	x1
			
M8*15mm		5mm*68L	

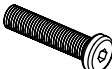


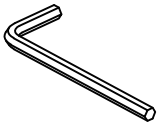
# STEP-7



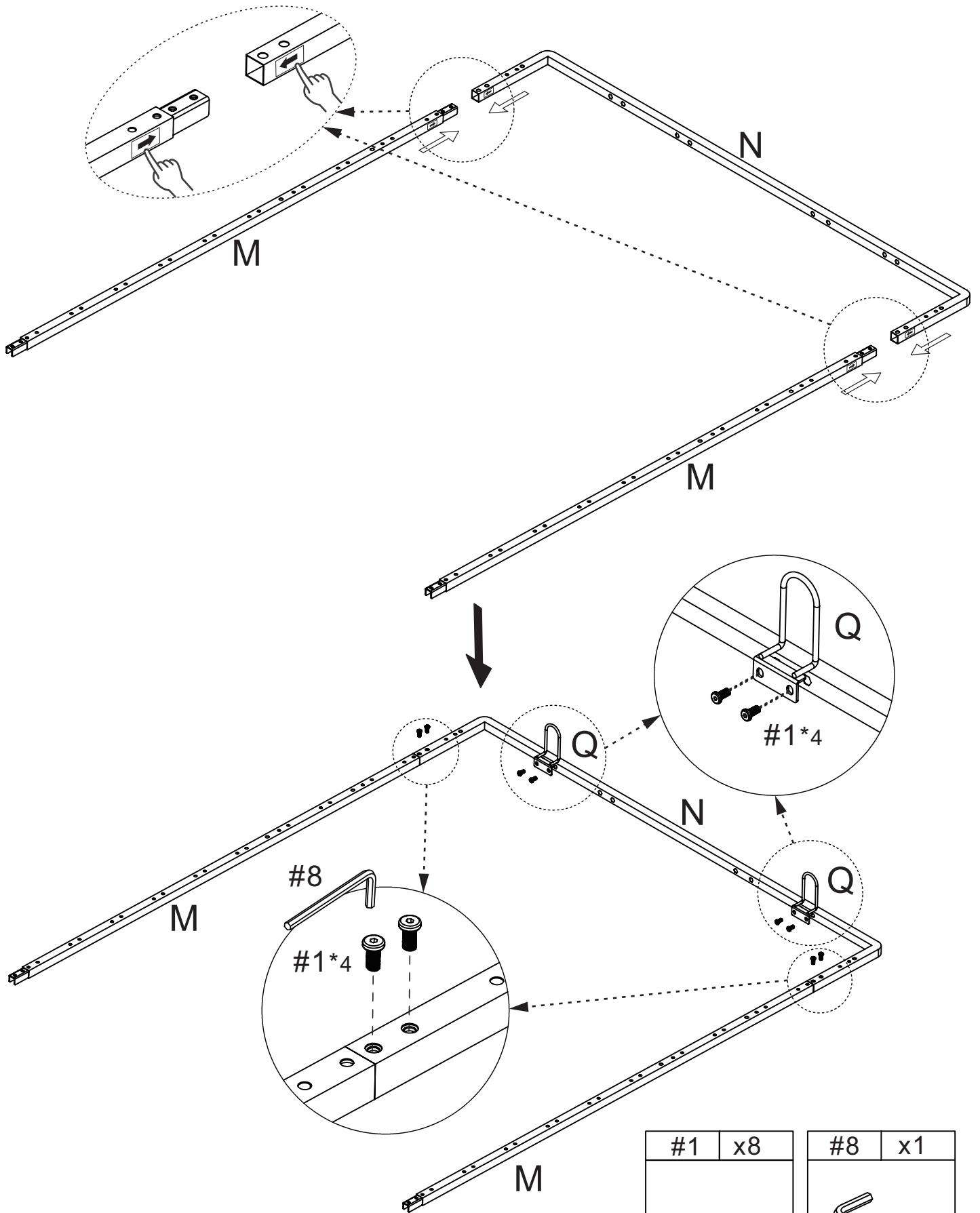
#1	x 4	#2	x 6	#5	x 2	#8	x 1
							
M8*15mm		M8*40mm		M8 $\phi$ 19*1.5mm		5mm*68L	


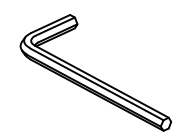
# STEP-8



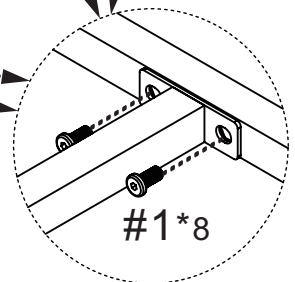
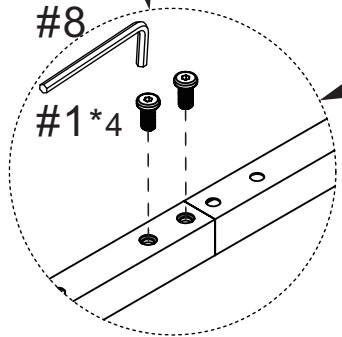
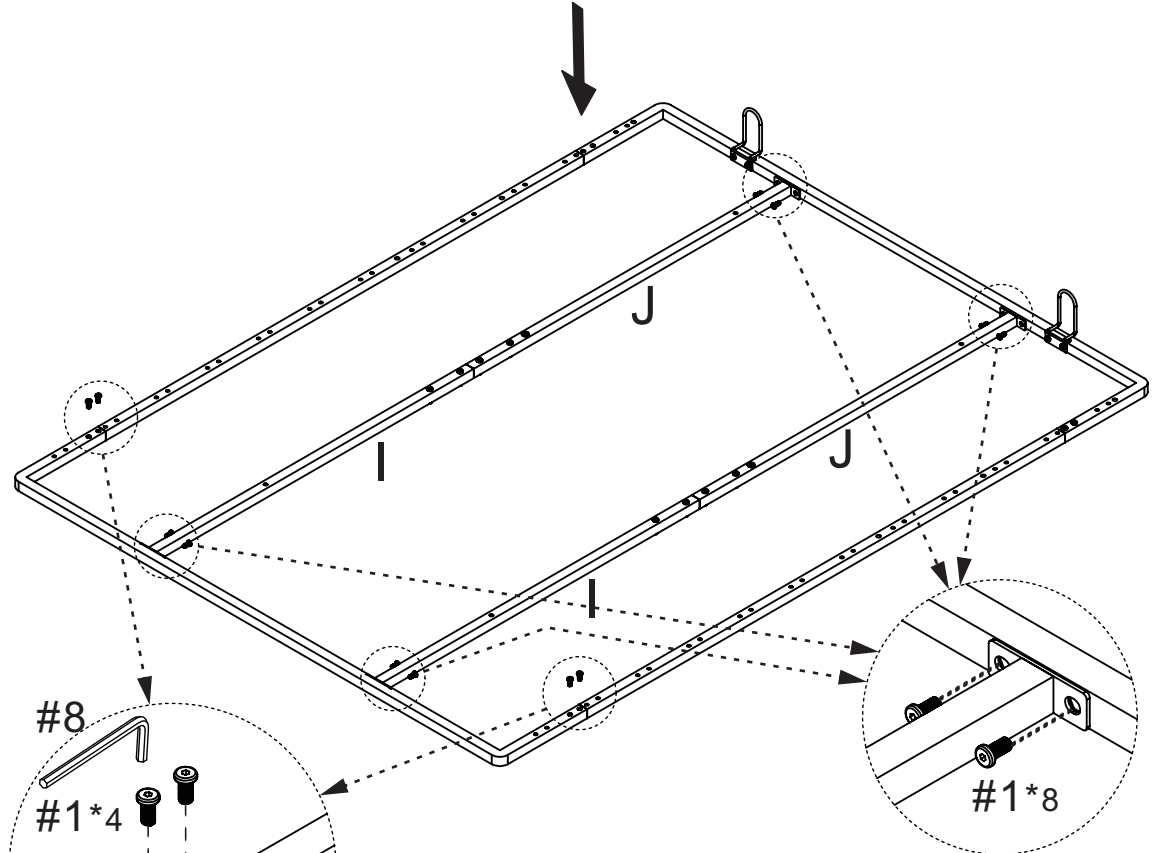
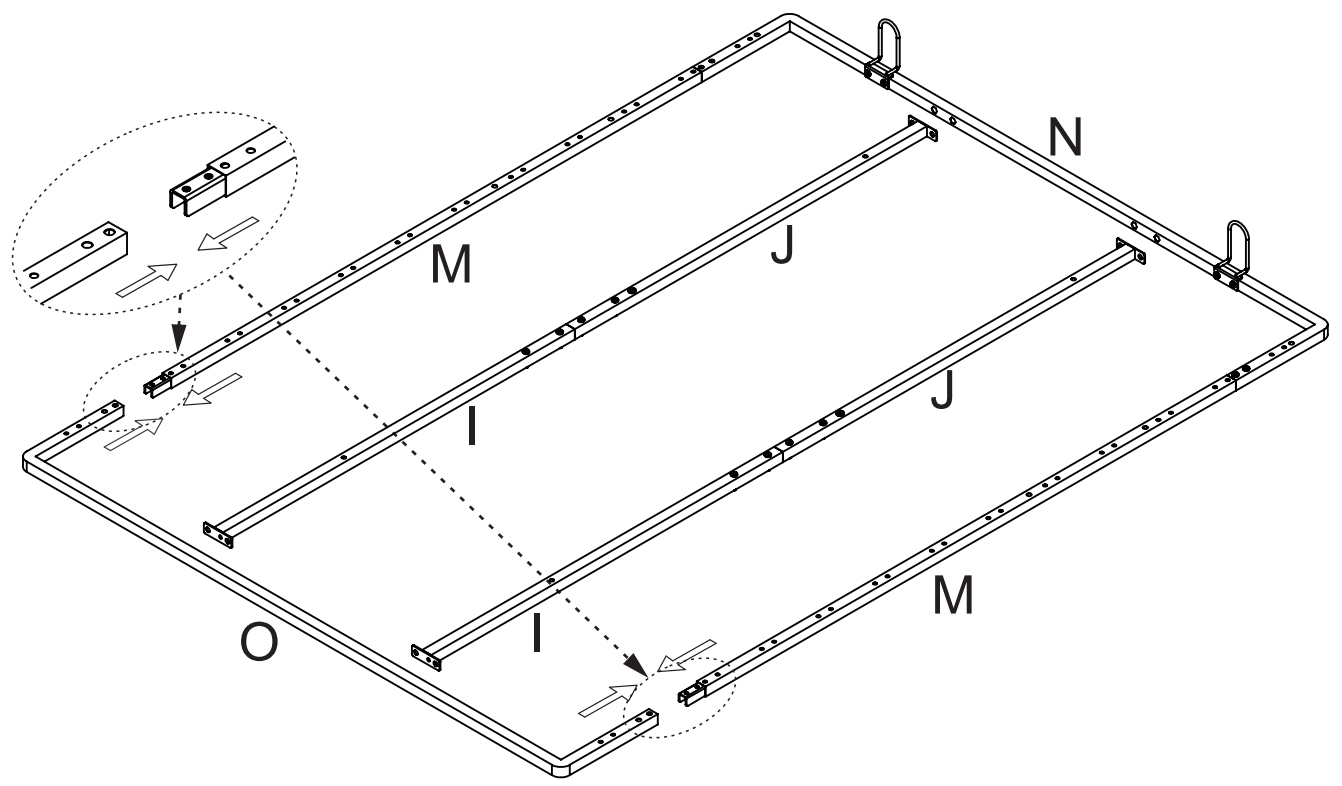
#2	x8	#6	x8	#10	x1	#8	x1
							
M8*40mm		M8		M8		5mm*68L	


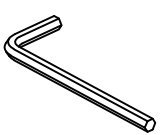
# STEP-9



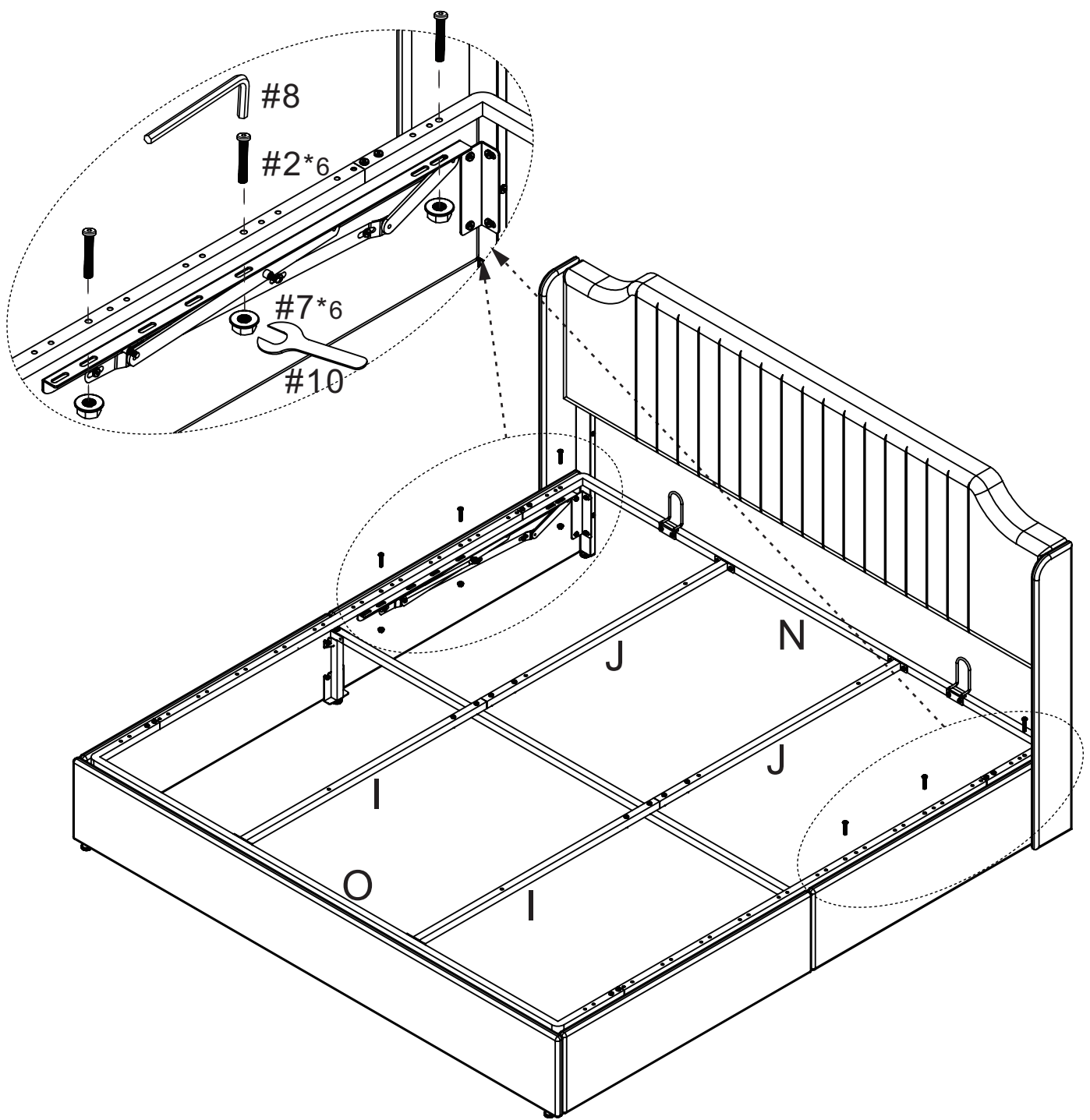
#1	x8	#8	x1
			
M8*15mm		5mm*68L	

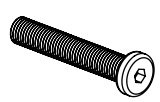
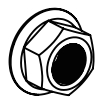

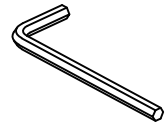
# STEP-10



#1	x12	#8	x1
			
M8*15mm		5mm*68L	

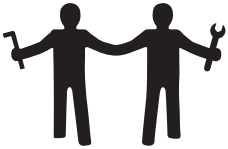
# STEP-11



#2	x6	#7	x6	#10	x1	#8	x1
							
M8*40mm		M8		M8		5mm*68L	

# STEP-12

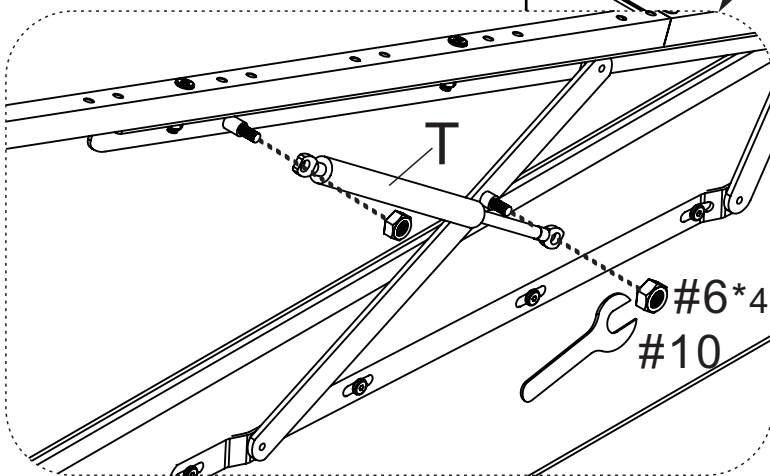
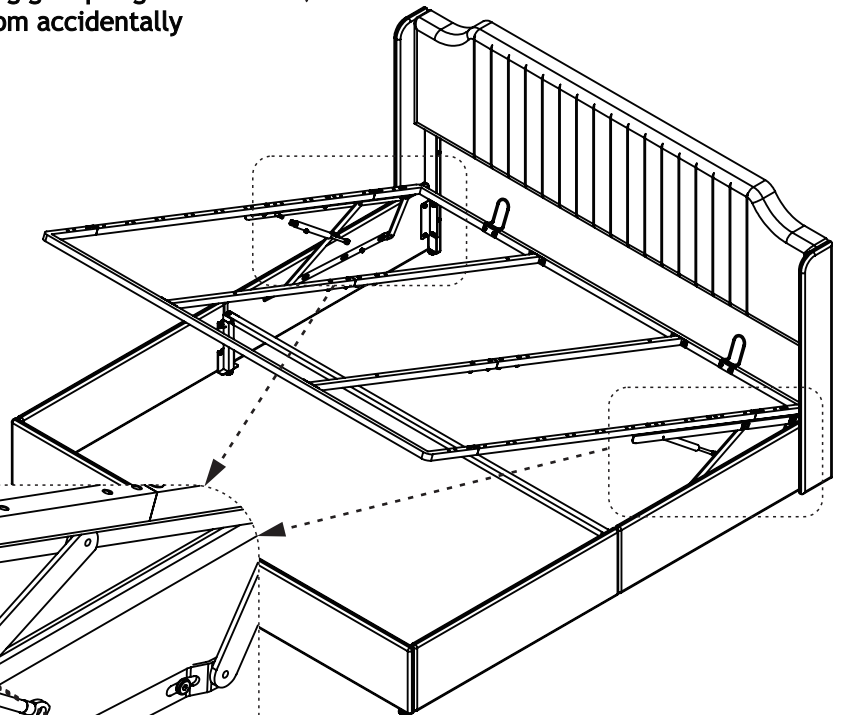
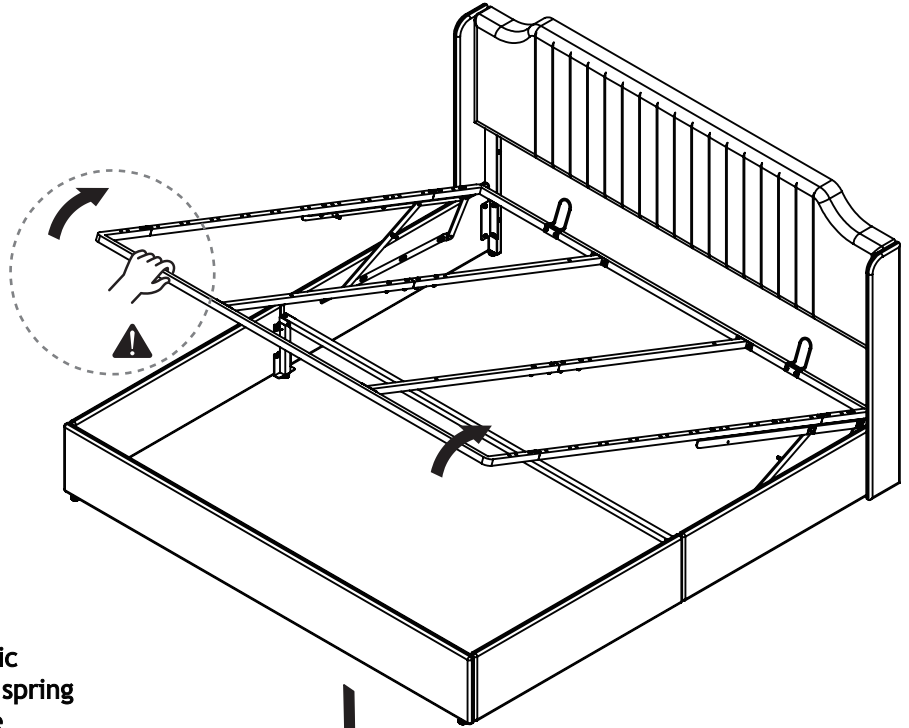
## Gas Spring Installation Precautions

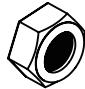



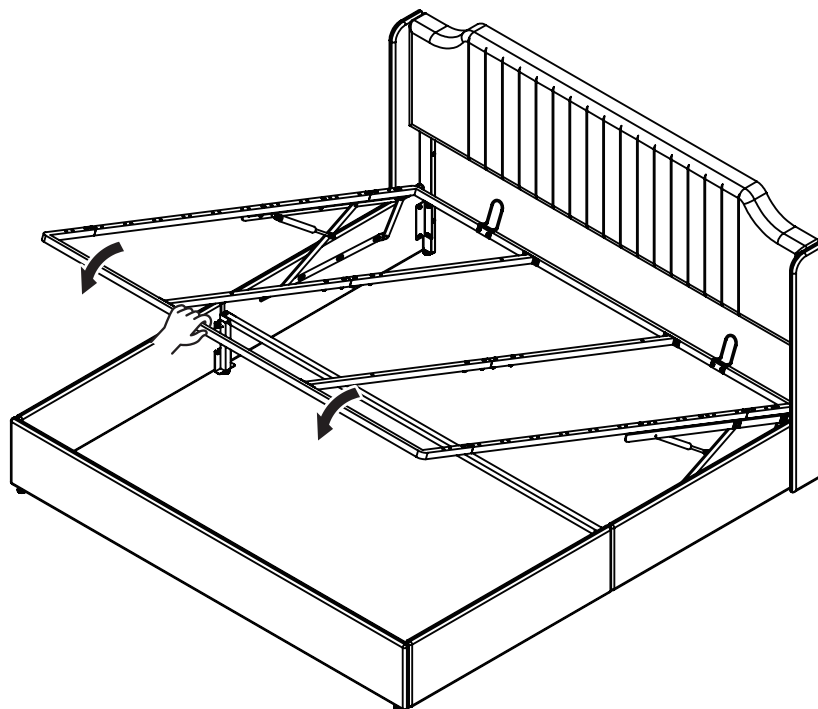
Two person installation

### ⚠ WARNING

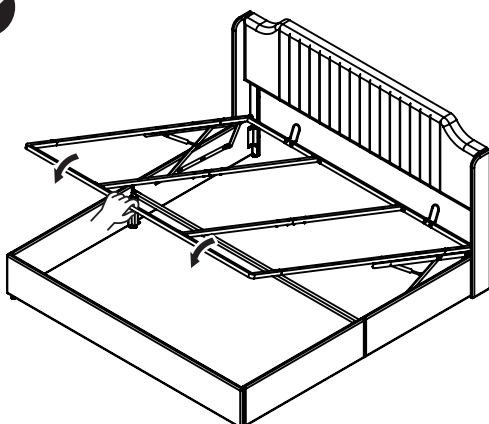
To install the gas spring, one person should lift the metal frame to a specific height and hold it steady until the gas spring is fully installed. Ensure that there are no obstructions under the frame, slowly lower it. (Be careful not to release your hands during gas spring installation to prevent the metal frame from accidentally falling and injuring people or objects.)



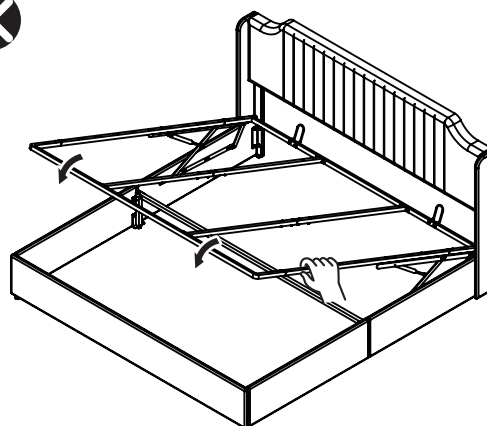
#6	x4	#10	x1
			
M8		M8	



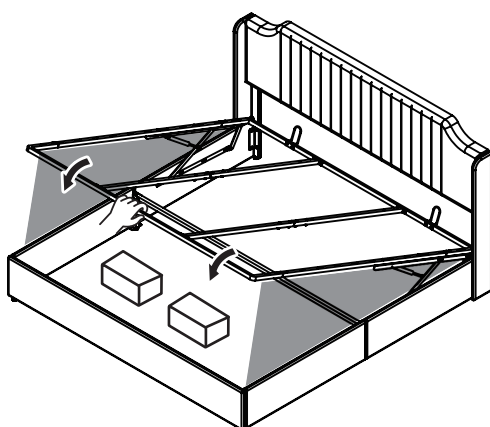
**Precautions for closing the bed frame:**



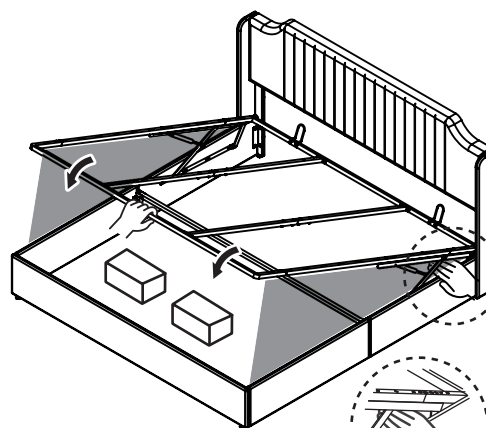
**Operate from the foot of the bed**



**To avoid deformation of the metal frame, do not operate from the sides of the bed.**

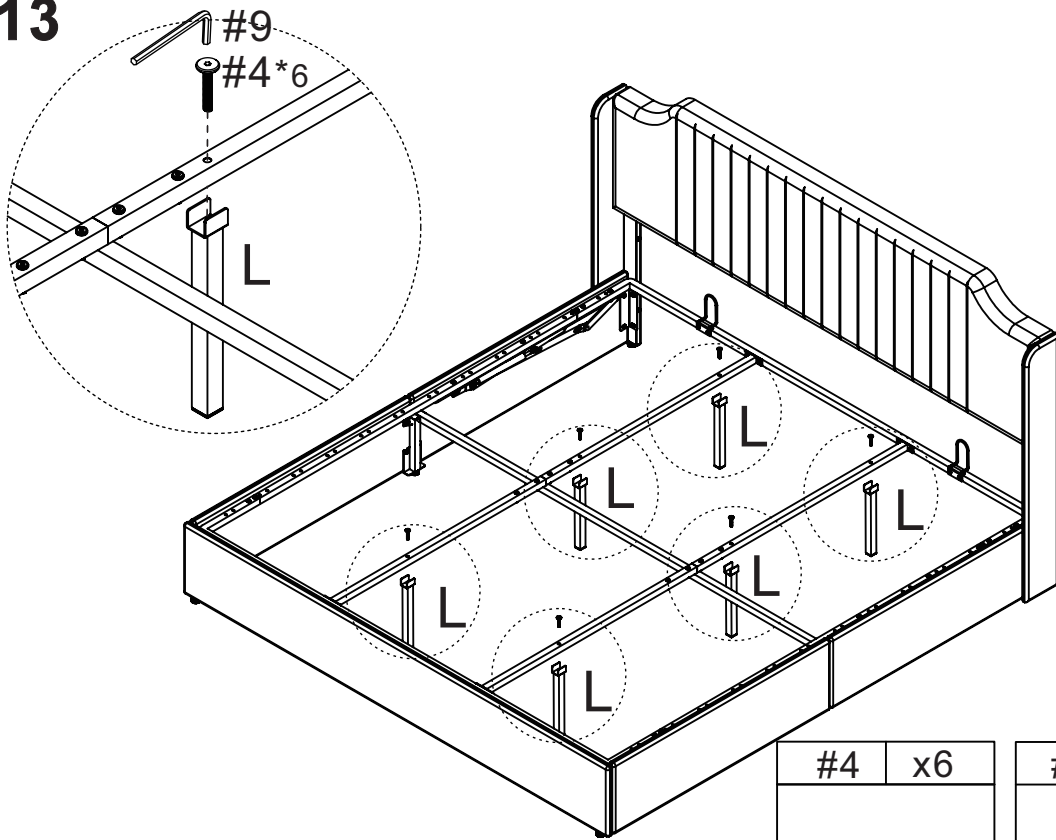




**Make sure there are no obstructions under the metal frame to prevent injury.**



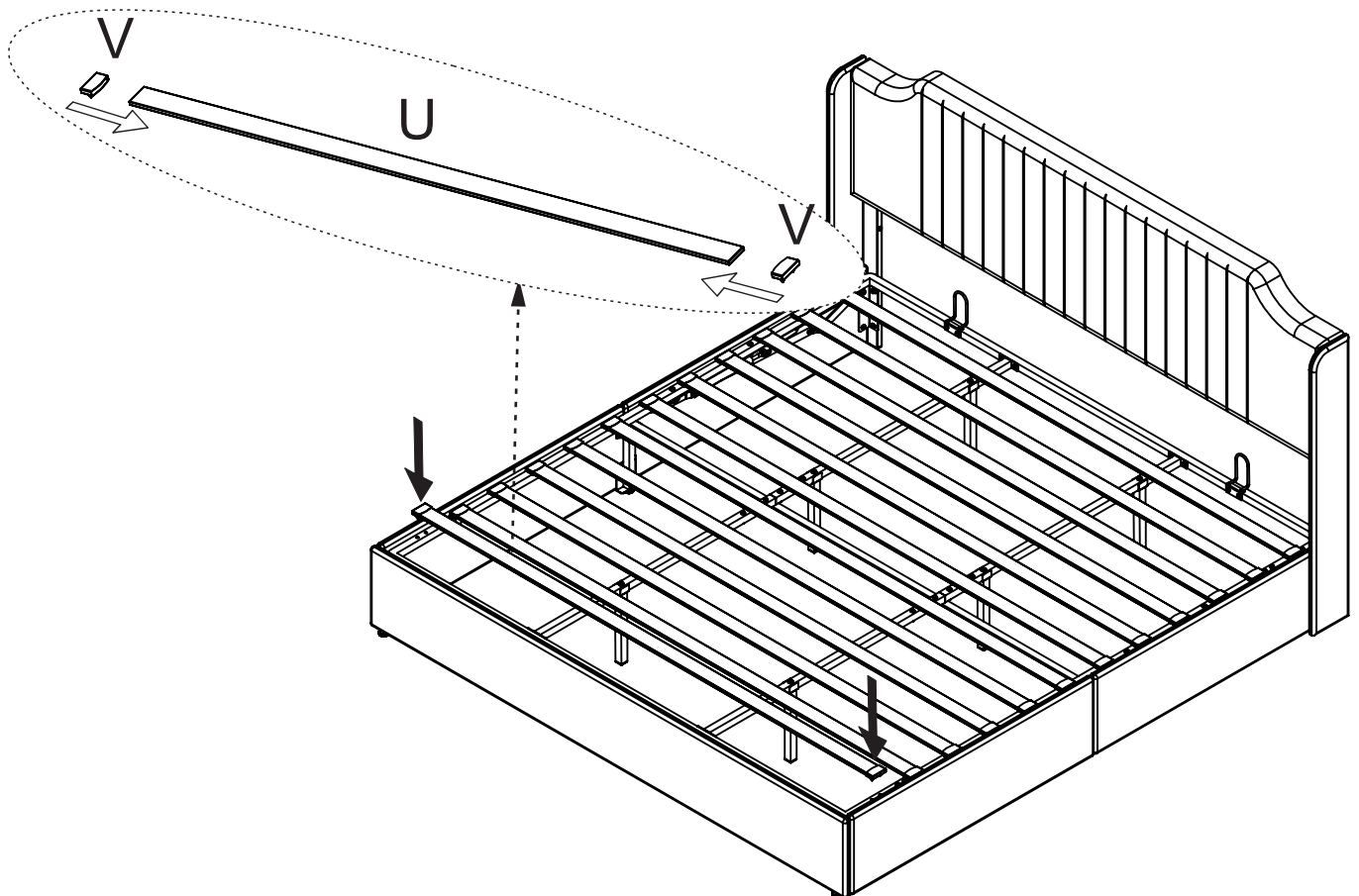
**Make sure there are no obstructions under the metal frame to prevent injury.**

# STEP-13

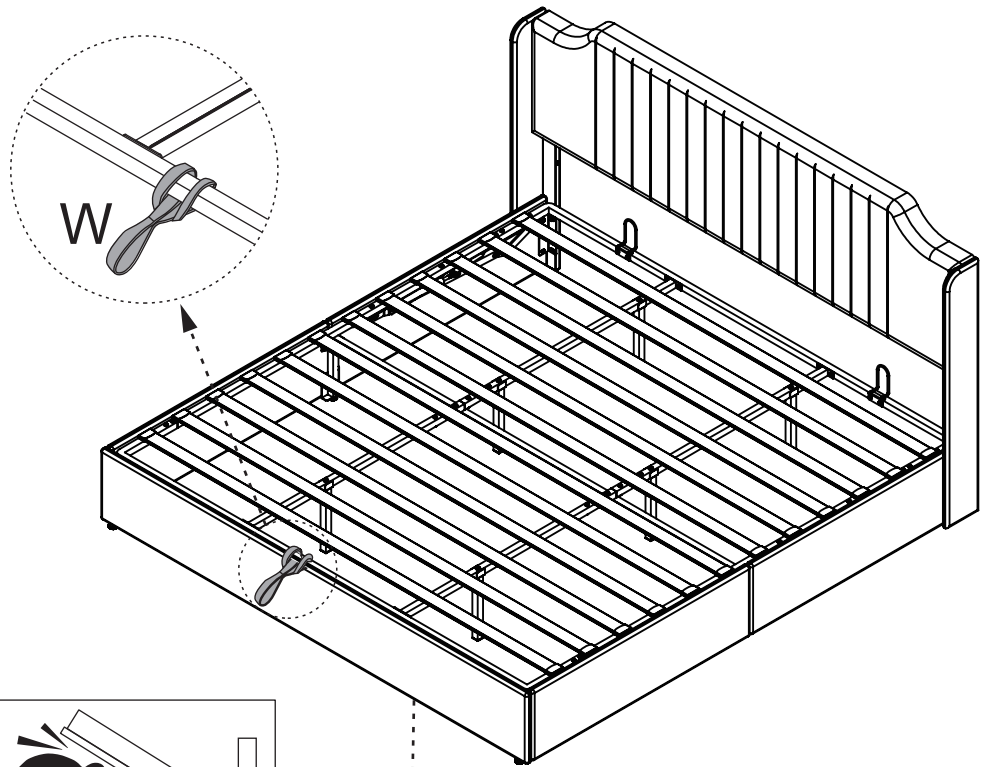


#4	x6	#9	x1
			
M6*35mm		4mm*57L	

# STEP-14



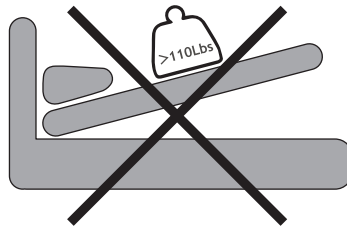
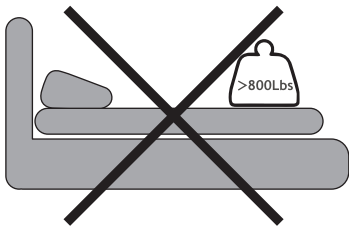
# STEP-15



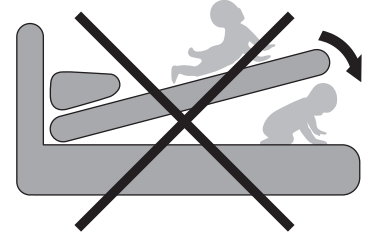
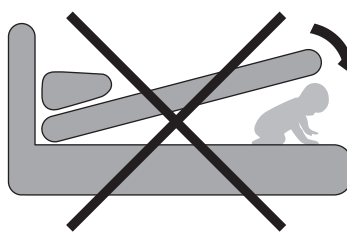
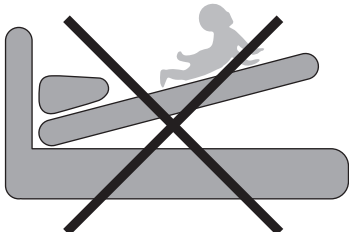
## Warning Label:



- When lifting or lowering the bed frame, it can only support items weighing less than 110 pounds.
- When lifting or lowering the bed frame, keep a safe distance between the body and the frame to avoid injury.
- Ensure that there are no people or objects interfering with the bed's sides or footboard when lifting or lowering the bed frame to avoid any dangers.
- Before entering underneath the bed, make sure the bed frame is lifted to its highest position and confirm it will not drop after being released.



- When the bed frame is used flat, the load-bearing capacity of the bed frame is 800 pounds; when the bed frame is lifted, the load-bearing capacity is 110 pounds.
- When lifting the bed to use the storage function, please note that the maximum weight limit is 110 pounds, and the external force pressing is strictly prohibited to prevent the bed frame from falling and causing injury.



- When using the storage function, please ensure that the upper and lower areas of the bed are safe and free of any biological traces to prevent injury.

# WARRANTY

1. We strive to offer high-quality products, and we also try our best to satisfy each and every customer that orders from us with product or service as needed.
2. We provide 30 days warranty starting from the time you receive the item. Each customer must provide a record of their order such as the order number, or item receipt for any items that are out of the warranty period you may also still receive.
3. Replacement parts by purchasing them with our company if they are available.

For return, please check the return policy with the retailer or market place you bought from.

Appreciate your purchasing from us.  
Pop up your life by our furniture piece!