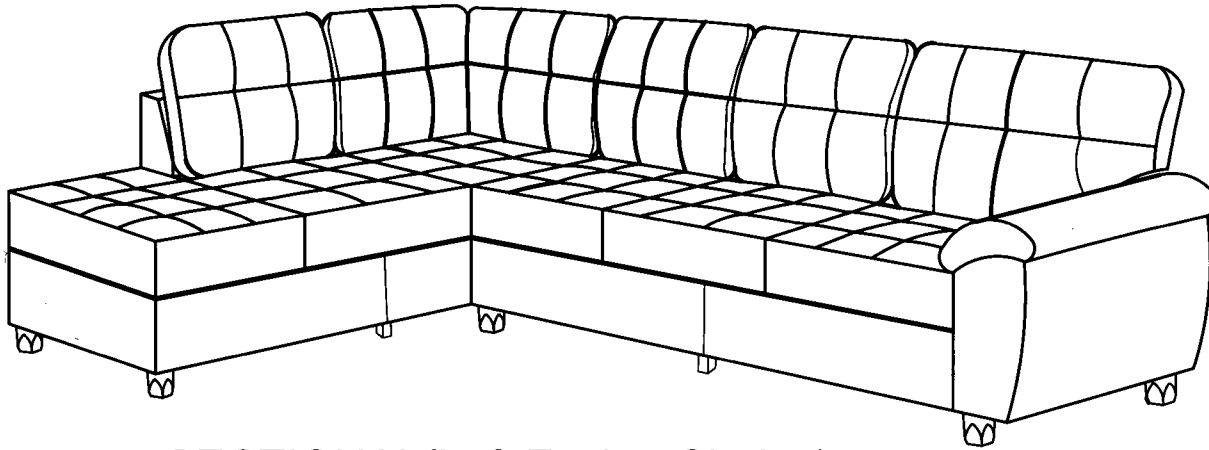
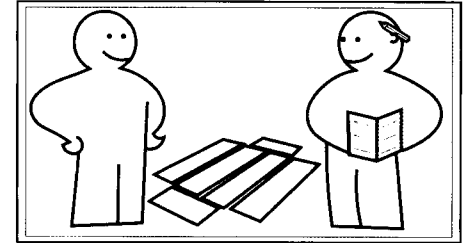


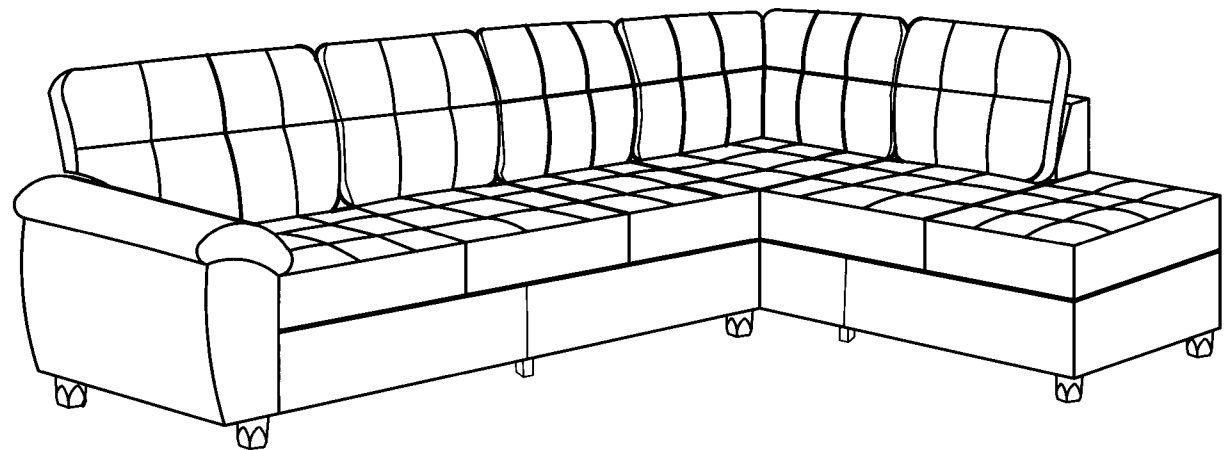
# ASSEMBLY INSTRUCTION



SECTIONAL(Left Facing Chaise)

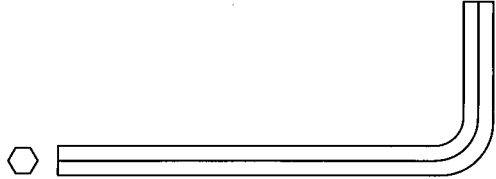

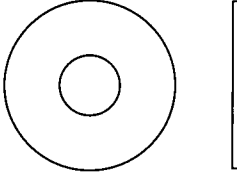

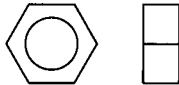
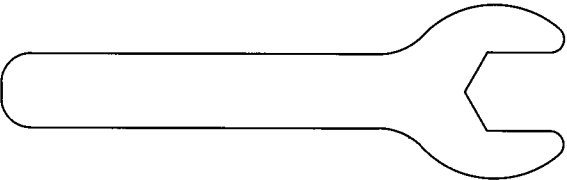


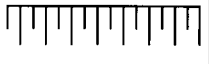
Attention:  
Two people are required for  
assembly and lifting unit.



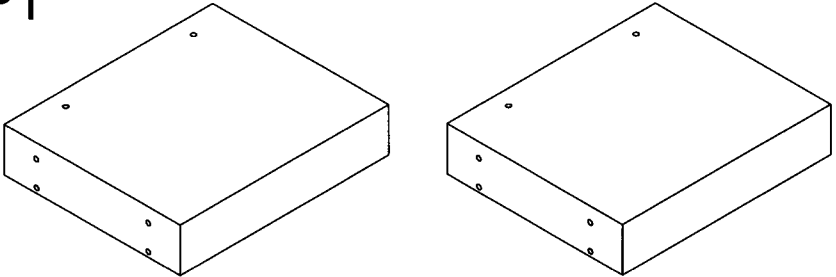
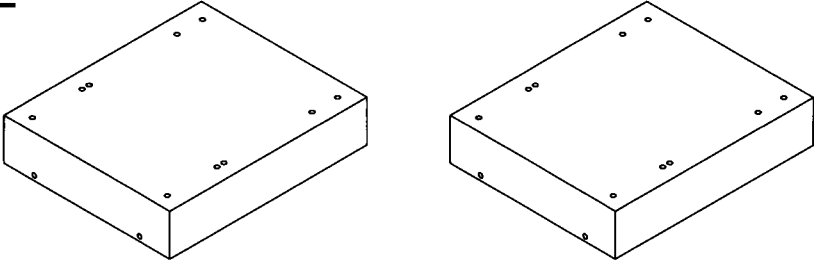
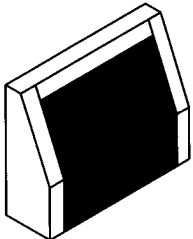
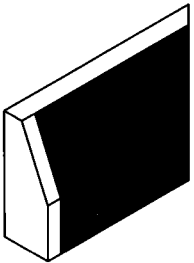
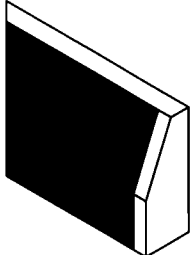
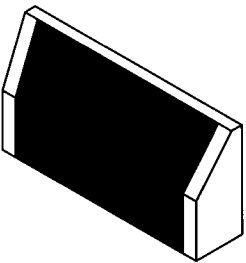
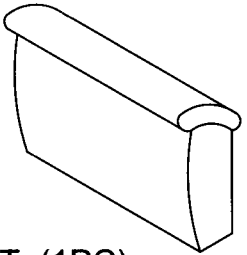
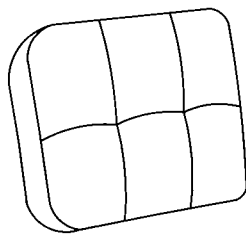
SECTIONAL(Right Facing Chaise)

# HARDWARE LIST

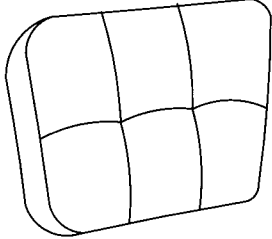
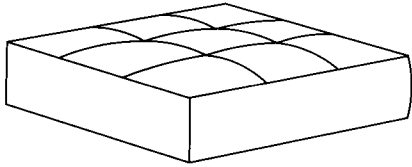
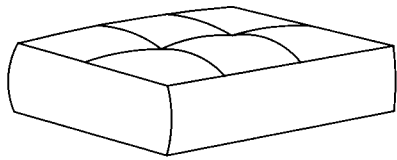
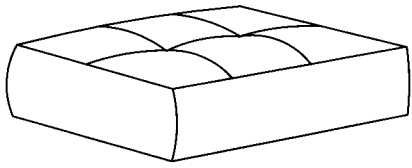
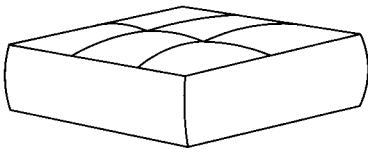
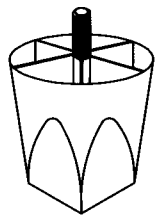
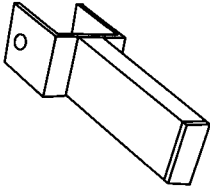
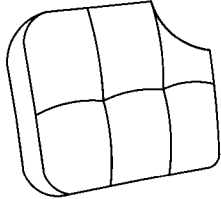
		
A	1PC	C
Allen Key		22PCS
JCBC Bolt M6 X 70mm		Flat Washer 5/ 16 x 25mm
		
D	14PCS	E
Threaded Rod 5/16 x 75mm		18PCS
Nut 5/16 x 12mm		F
		1PC
		Spanner

1 : 1


# PART LIST

<p><b>P1</b></p>  <p>SOFA BASE - (2PCS)</p>	<p><b>P2</b></p>  <p>CHAISE BASE (2PCS)</p>	
<p><b>P3</b></p>  <p>BACK REST - SHORT (1PC)</p>	<p><b>P4</b></p>  <p>BACK REST - LEFT(1PC)</p>	<p><b>P5</b></p>  <p>BACK REST - RIGHT(1PC)</p>
<p><b>P6</b></p>  <p>BACK REST - LONG (2PCS)</p>	<p><b>P7</b></p>  <p>ARM REST (1PC)</p>	<p><b>P8</b></p>  <p>BACK PILLOW - SMALL(3PCS)</p>

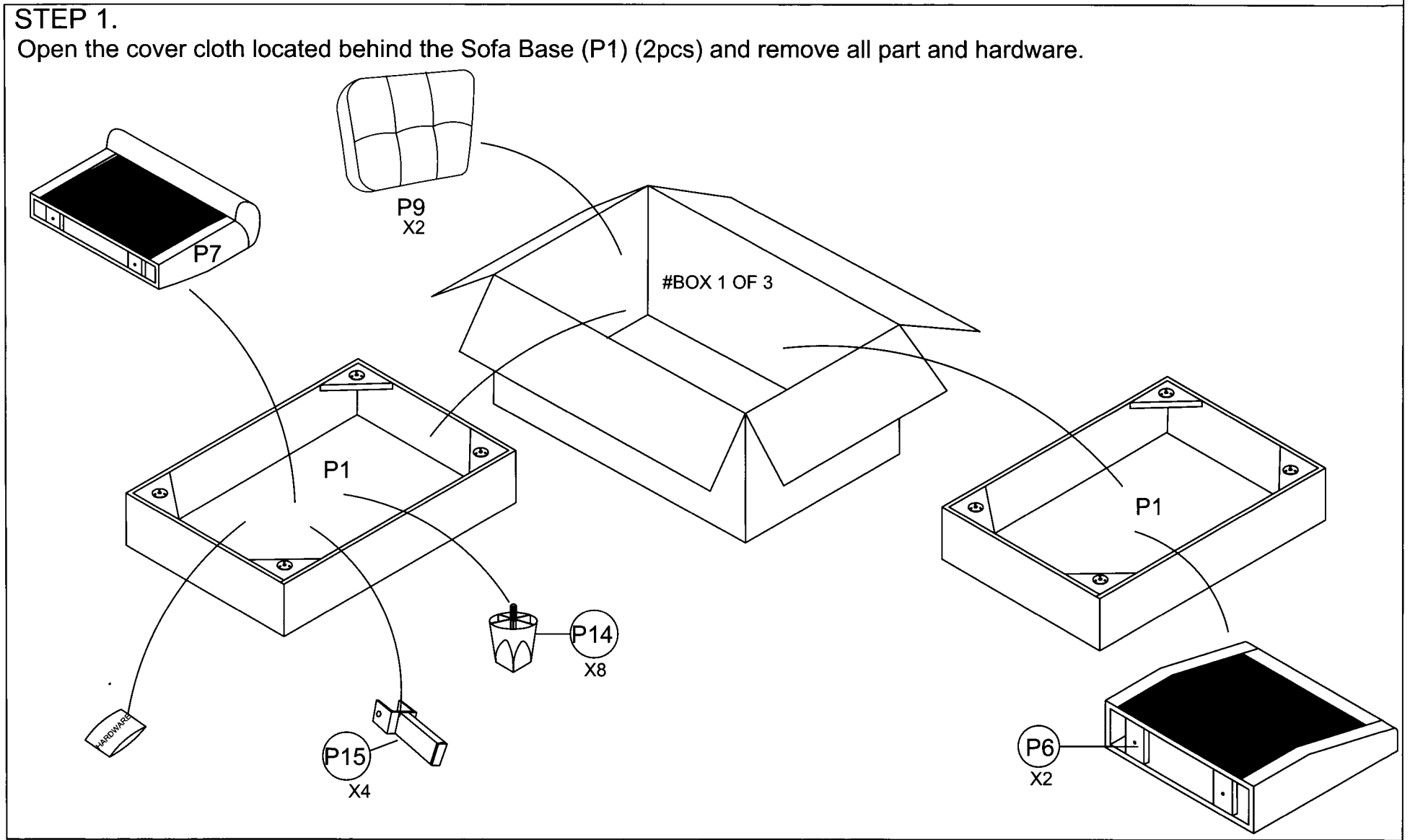
# PART LIST

<p><b>P9</b></p>  <p>CHAISE PILLOW (2PCS)</p>	<p><b>P10</b></p>  <p>CUSHION SEAT - CHAISE (1PC)</p>	<p><b>P11</b></p>  <p>CUSHION SEAT-MIDDLE (1PC)</p>
<p><b>P12</b></p>  <p>CUSHION SEAT -CENTER (1PC)</p>	<p><b>P13</b></p>  <p>CUSHION SEAT -SOFA (3PC)</p>	<p><b>P14</b></p>  <p>PLASTIC LEG (8PCS)</p>
<p><b>P15</b></p>  <p>METAL LEG (4PCS)</p>	<p><b>P16</b></p>  <p>BACK PILLOW - ARM (1PC)</p>	

# ASSEMBLY INSTRUCTION

## STEP 1.

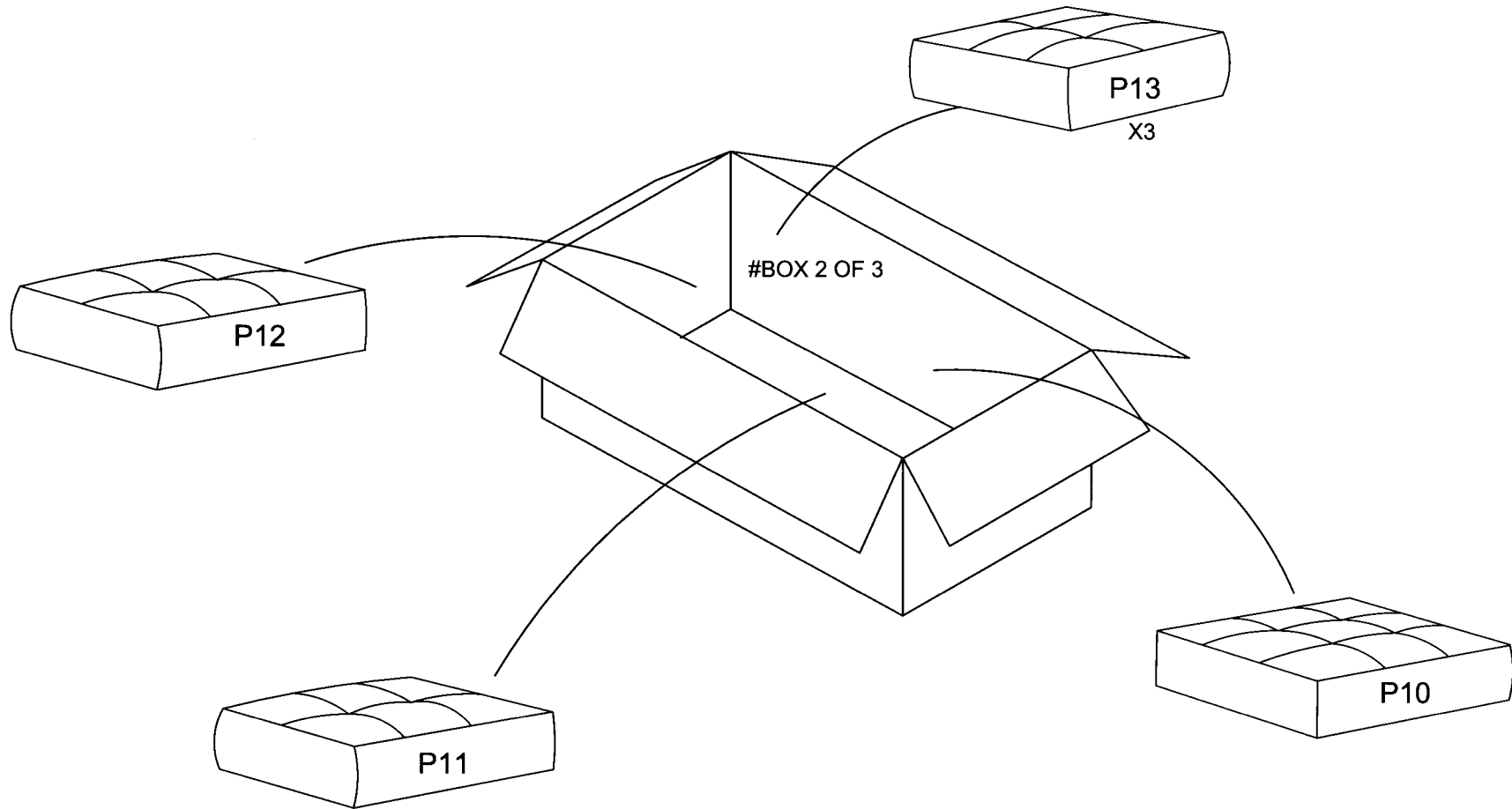
Open the cover cloth located behind the Sofa Base (P1) (2pcs) and remove all part and hardware.



# ASSEMBLY INSTRUCTION

## STEP 2.

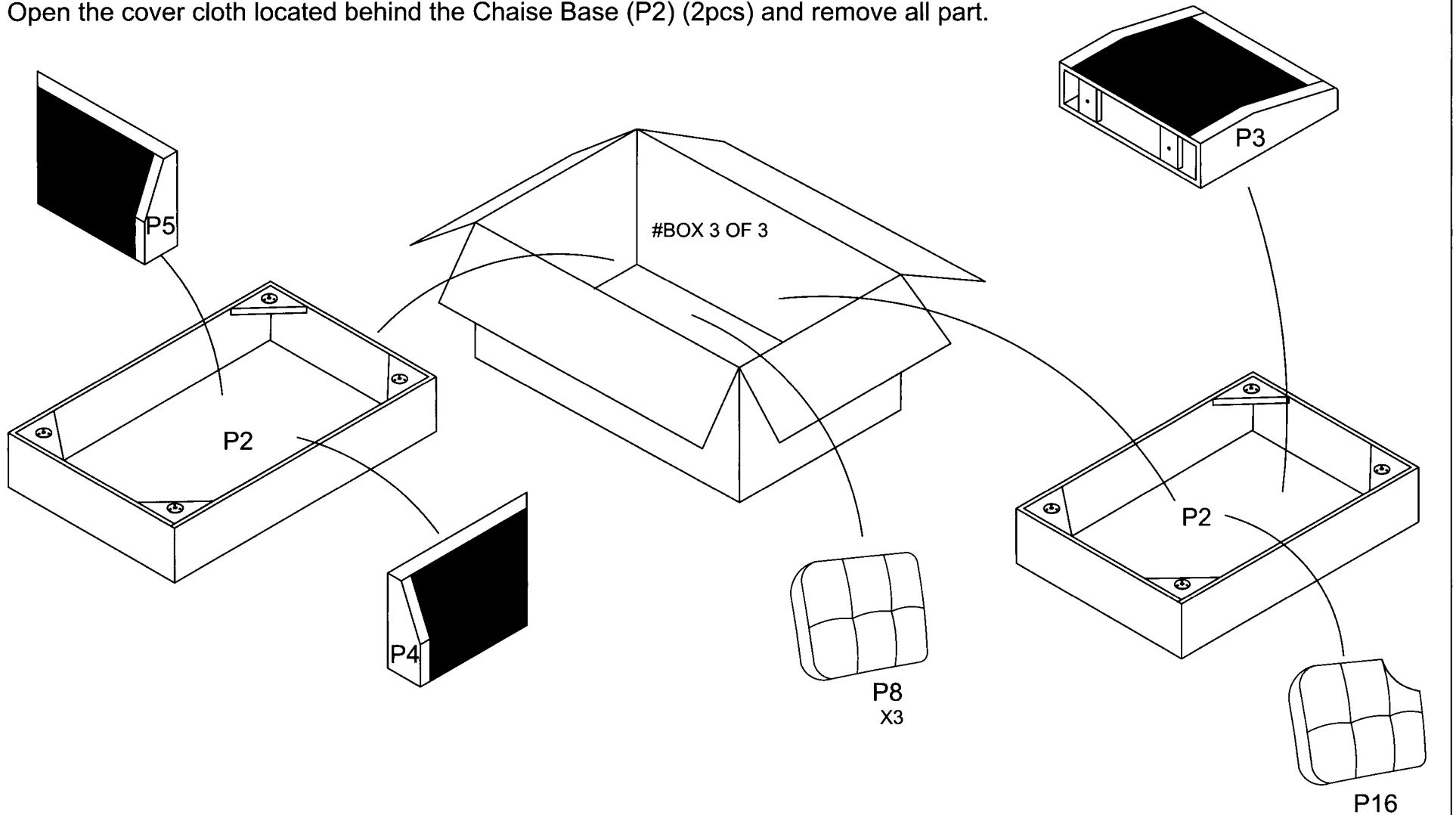
Remove all parts from box.



# ASSEMBLY INSTRUCTION

## STEP 3.

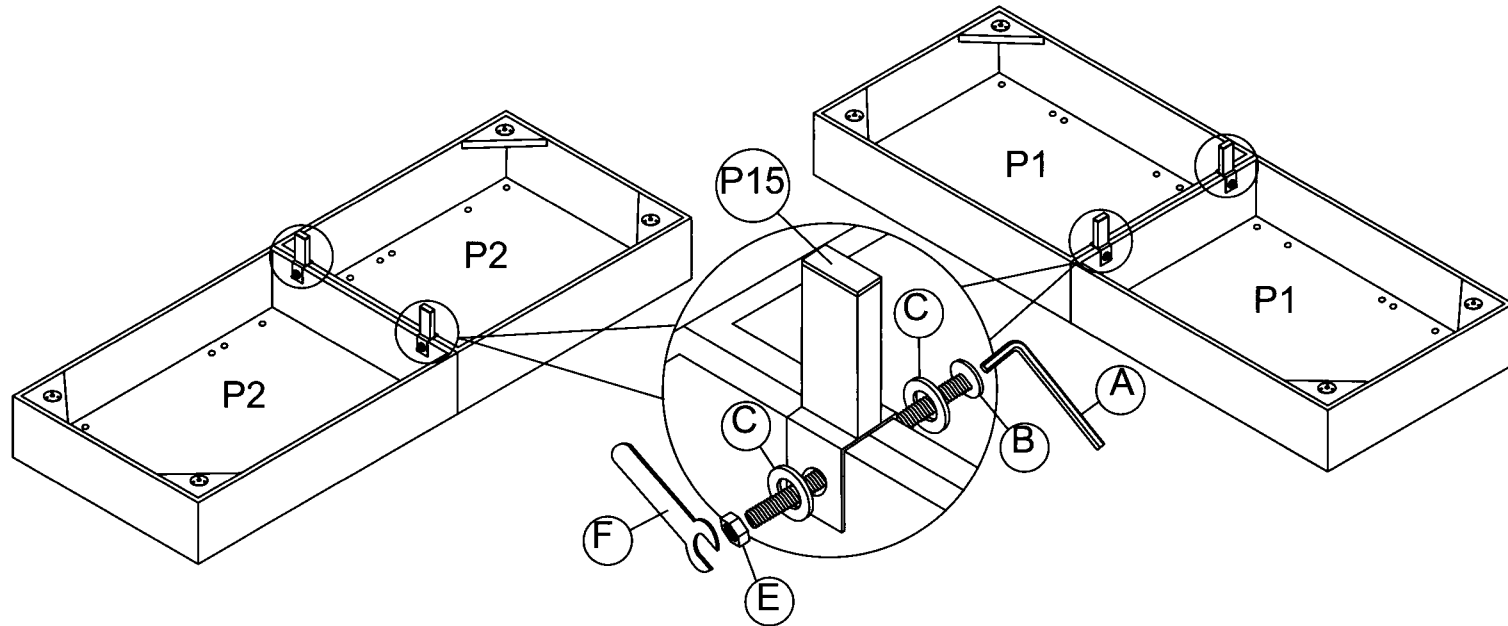
Open the cover cloth located behind the Chaise Base (P2) (2pcs) and remove all part.


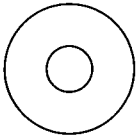
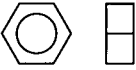
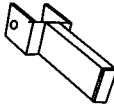


# ASSEMBLY INSTRUCTION

## STEP 4.

For this step lay the Sofa Base (P1) (2pcs) and Chaise Base (P2) (2pcs) Attached the Metal Leg (P15) (4pcs). Legs are to be attached using JCBC Bolt (B) (4pcs), Flat Washer (C) (8pcs), Nut (E) (4pcs), Allen Key (A) and Spanner (F) to fix. Make sure the bolts are fully tightened and secure.

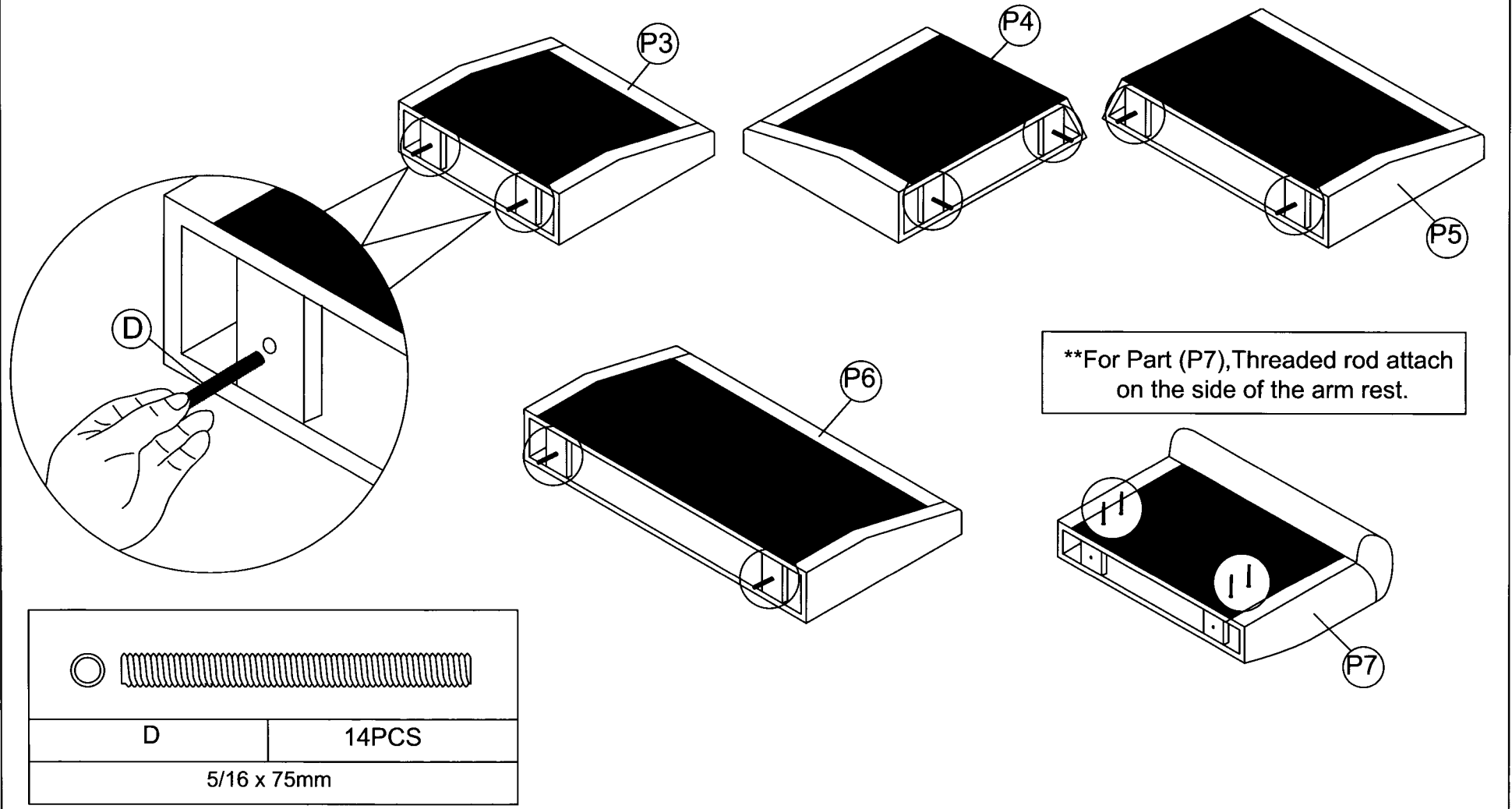


							
B	4PCS	C	8PCS	E	4PCS	P15	
JCBC Bolt M6 X 70mm		Flat Washer 5/ 16 x 25mm		Nut 5/16 x 12mm		METAL LEG (4PCS)	

# ASSEMBLY INSTRUCTION

## STEP 5.

Attached the Threaded Rod (D) (12pcs) to Back Rest (P3), (P4), (P5), (P6) , (P7) and Arm Rest (P7).

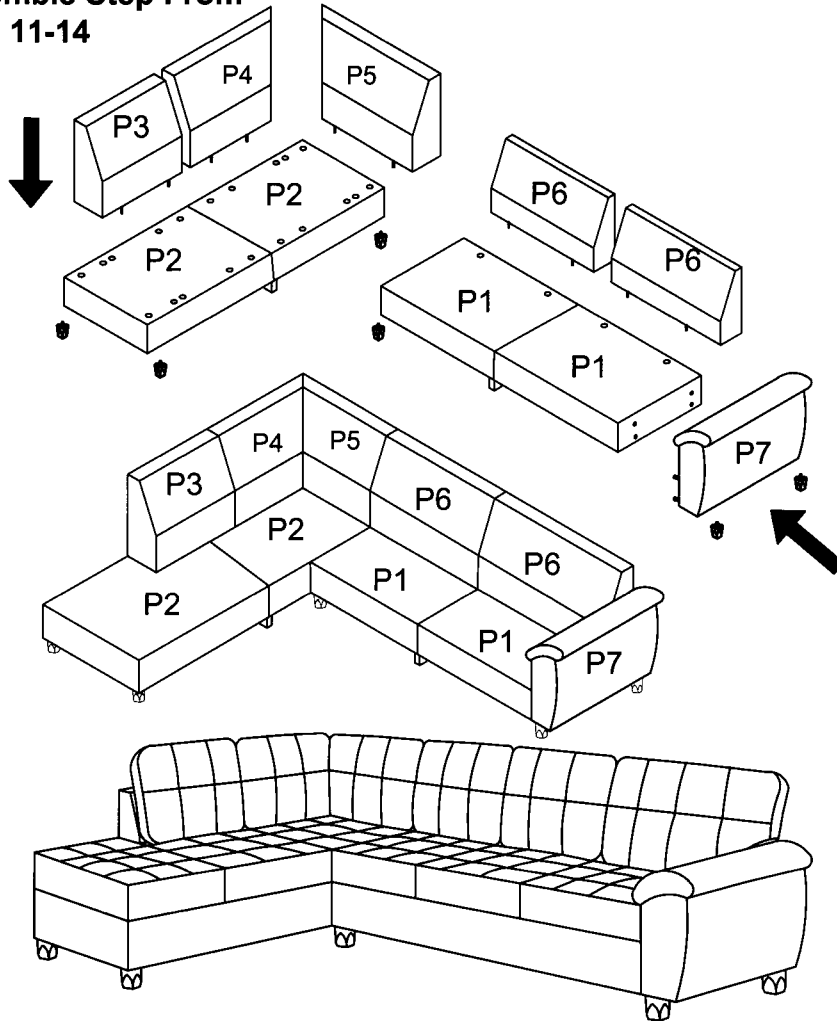


# ASSEMBLY INSTRUCTION

## STEP 6-9

### SECTIONAL (Left Facing Chaise)

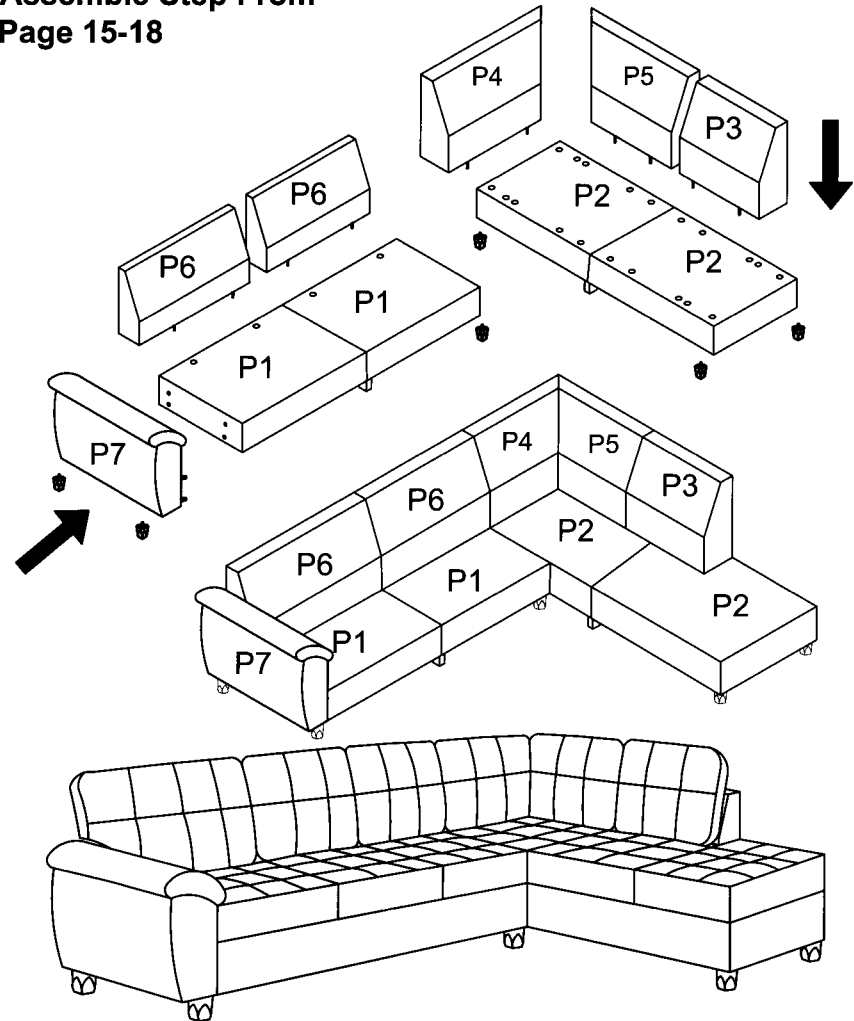
Assemble Step From  
Page 11-14



## STEP 6-9

### SECTIONAL (Right Facing Chaise)

Assemble Step From  
Page 15-18

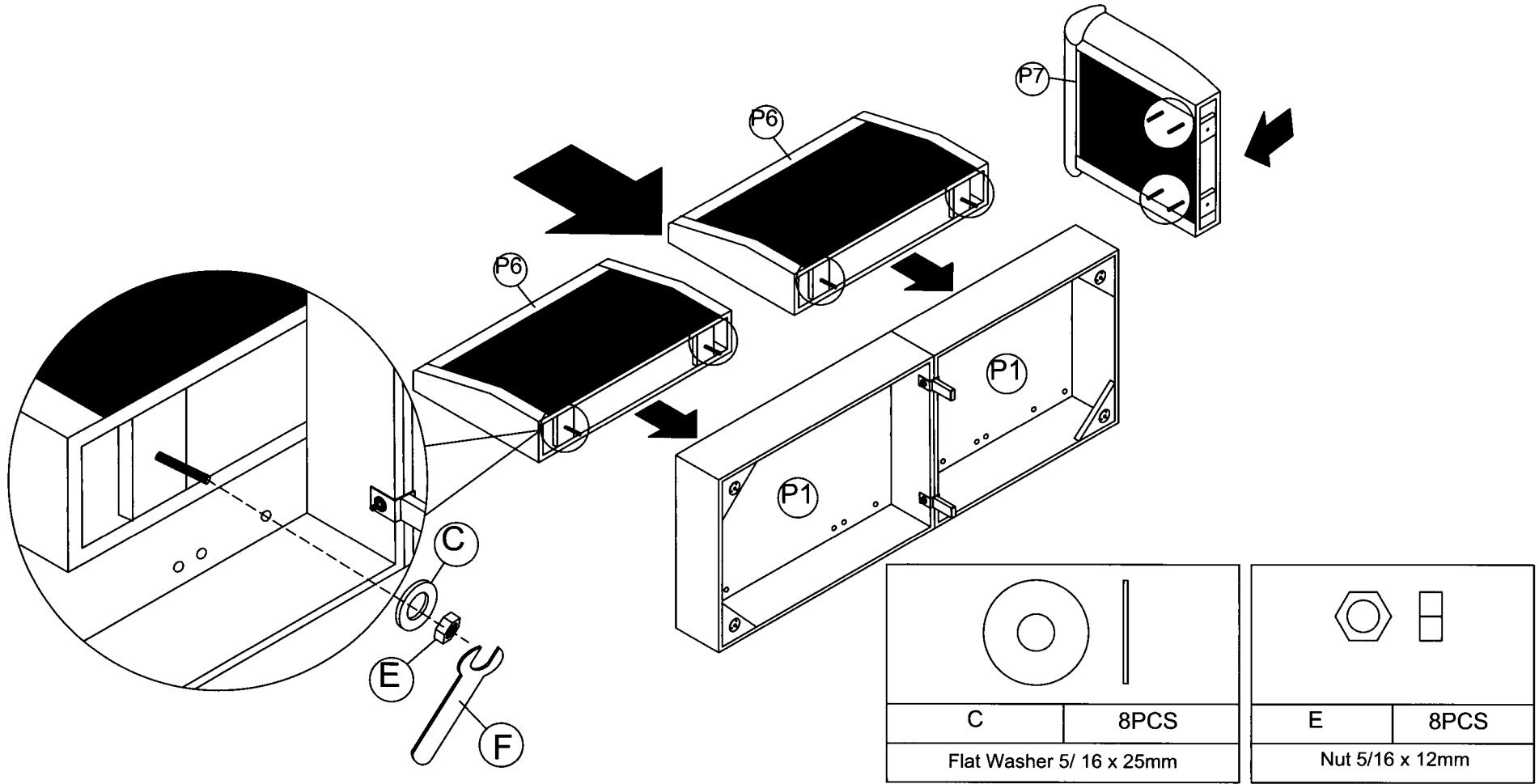


# ASSEMBLY INSTRUCTION

## STEP 6.

### SECTIONAL(Left Facing Chaise)

Attached the Back Rest (P6)(2pcs), Arm Rest (P7)(1pc) to Sofa Base (P1) (2pc). Use Flat Washer (C) (8pcs), Nut (E) (8pcs) and Spanner (F) to fix. Make sure the bolts are fully tightened and secure.



# ASSEMBLY INSTRUCTION

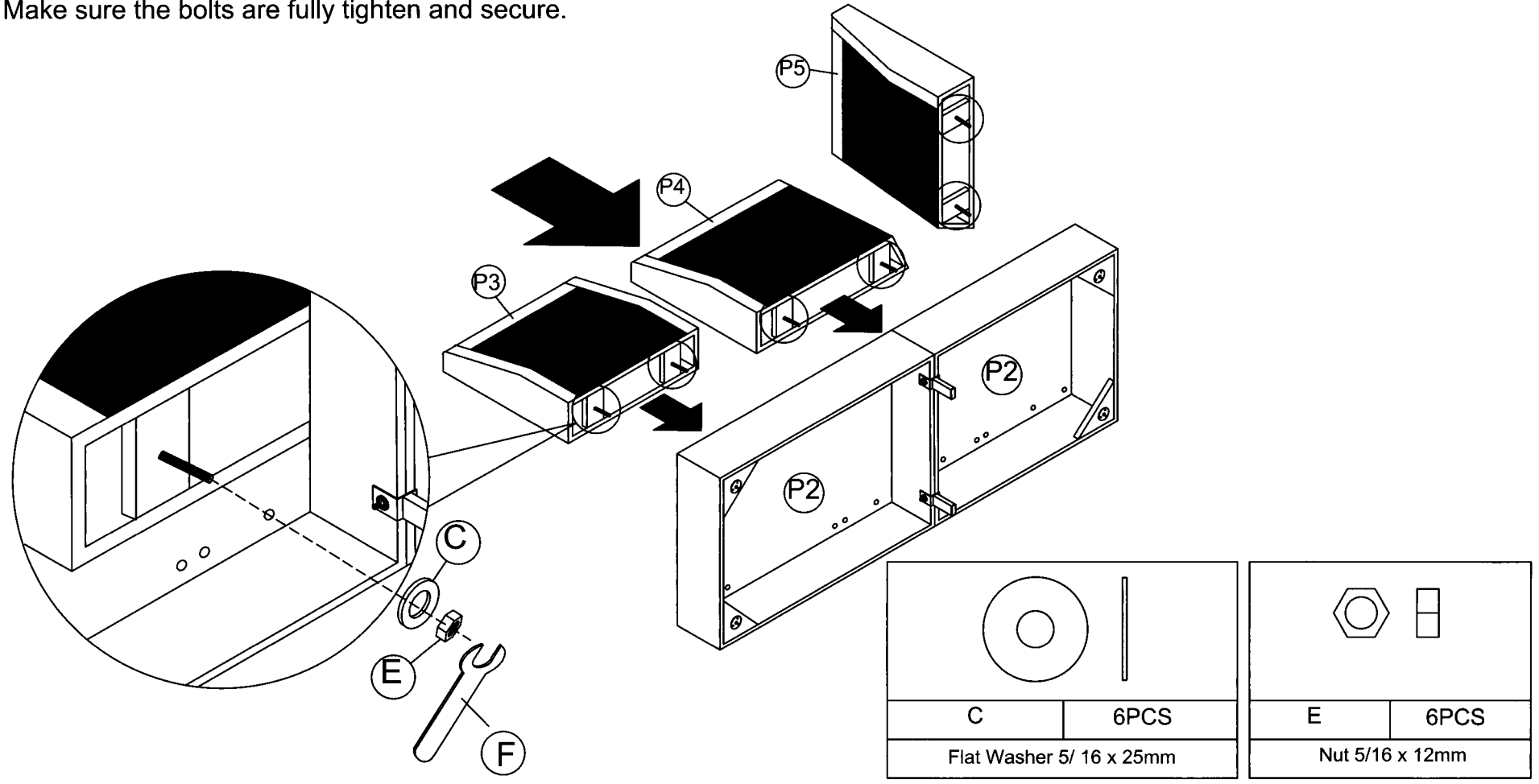
## STEP 7.

### SECTIONAL(Left Facing Chaise)

Attached the Back Rest (P3), Back Rest (P4), Back Rest (P5) to Chaise Base (P2) (2pcs).

Use Flat Washer(C) (6pcs), Nut(E) (6pcs) and Spanner (F) to fix.

Make sure the bolts are fully tighten and secure.



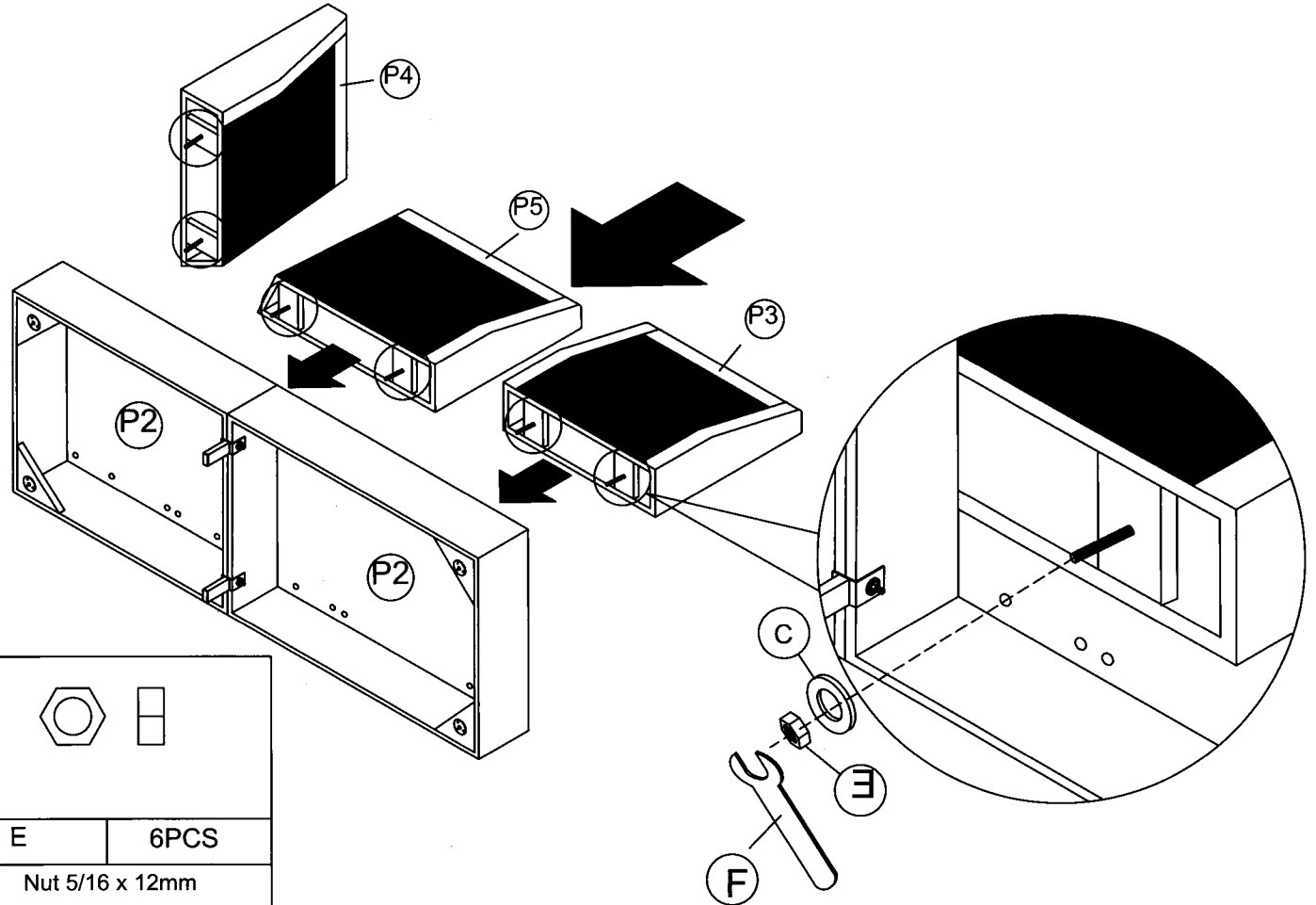
# ASSEMBLY INSTRUCTION

## STEP 7.

### SECTIONAL(Right Facing Chaise)

Attached the Back Rest (P3-1pc), (P4-1pc), (P5-1pc) to Chaise Base (P2) (2pc).

Use Flat Washer (C) (6pcs), Nut (E) (6pcs) and Spanner (F) to fix. Make sure the bolts are fully tightened and secure.



# ASSEMBLY INSTRUCTION

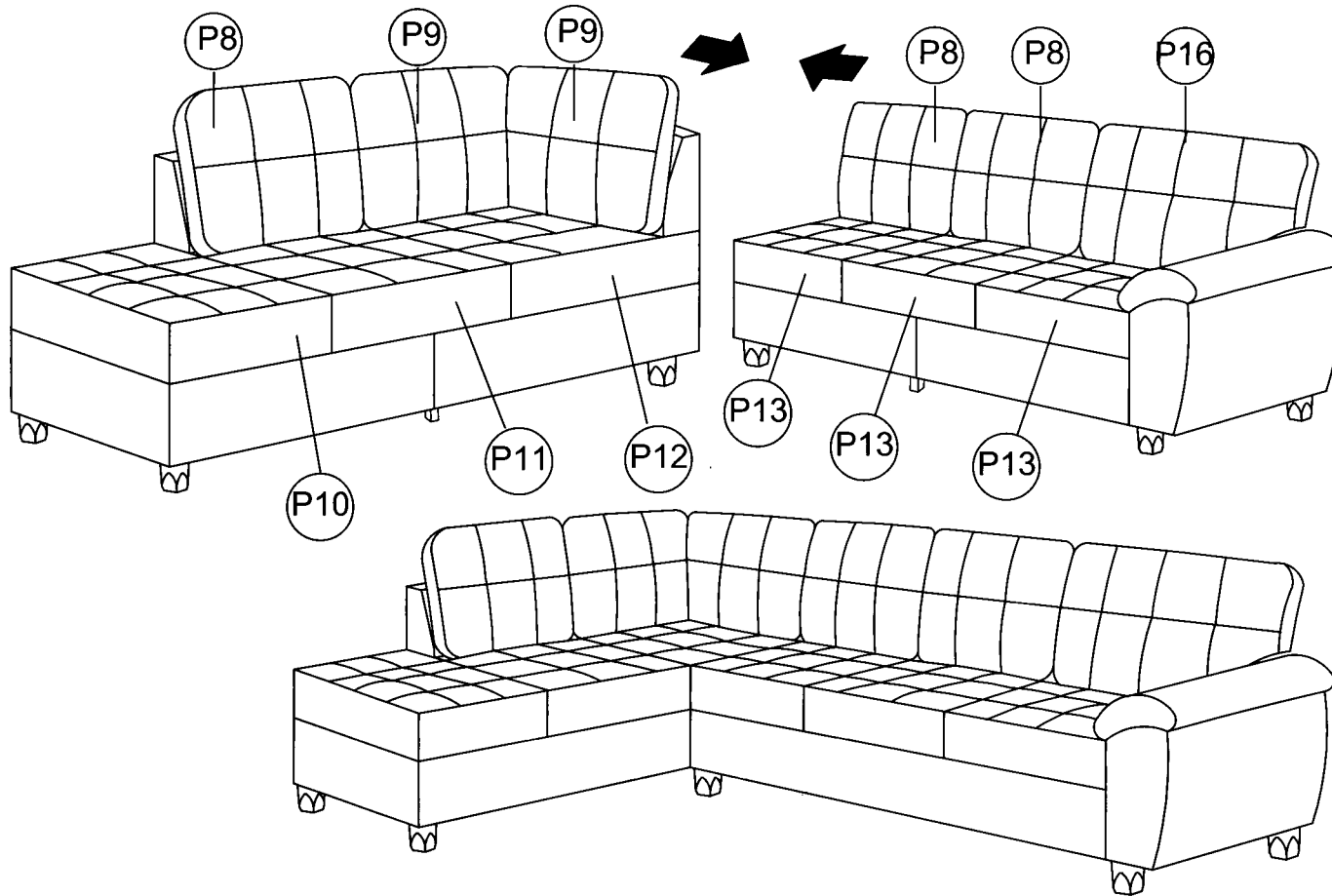
## STEP 9.

### **SECTIONAL(Left Facing Chaise)**

Attach the Cushion Seat (P10-1pc), (P11-1pc), (P12-1pc) and (P13-3pcs) to the base.

Attach the Back Pillow (P8-3pcs), (P9-2pcs), and (P16-1pc) after the cushion seat.

After that, put two parts (Chaise and Sofa) together.

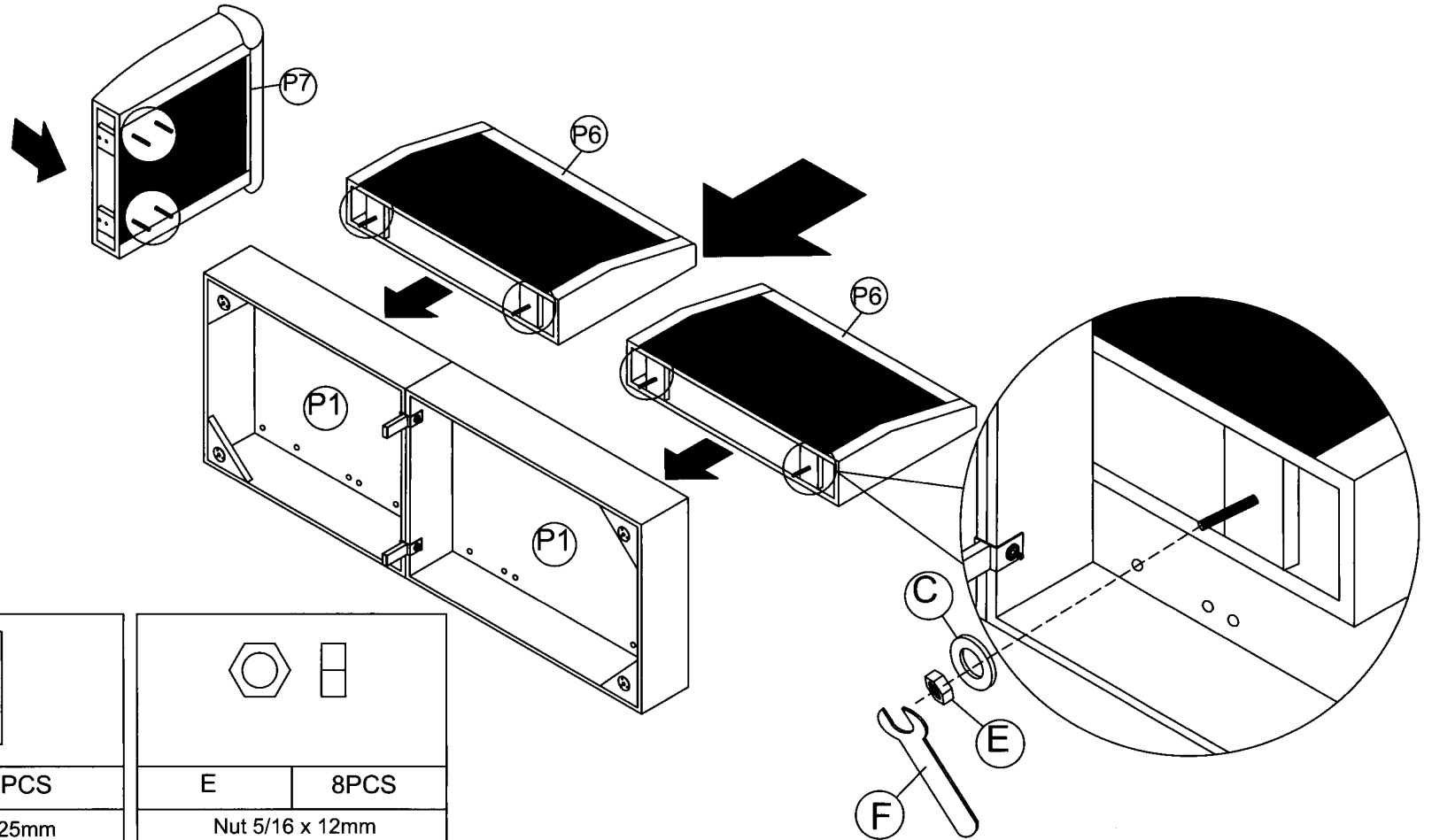


# ASSEMBLY INSTRUCTION

## STEP 6.

### SECTIONAL(Right Facing Chaise)

Attached the Back Rest (P6) (2pcs) and Arm Rest (P7) (1pc) to Chaise Base (P1) (1pc), Chaise Base (P2) (1pc).  
Use Flat Washer (C) (8pcs) Nut (E) (8pcs) and Spanner (F) to fix. Make sure the bolts are fully tightened and secure.



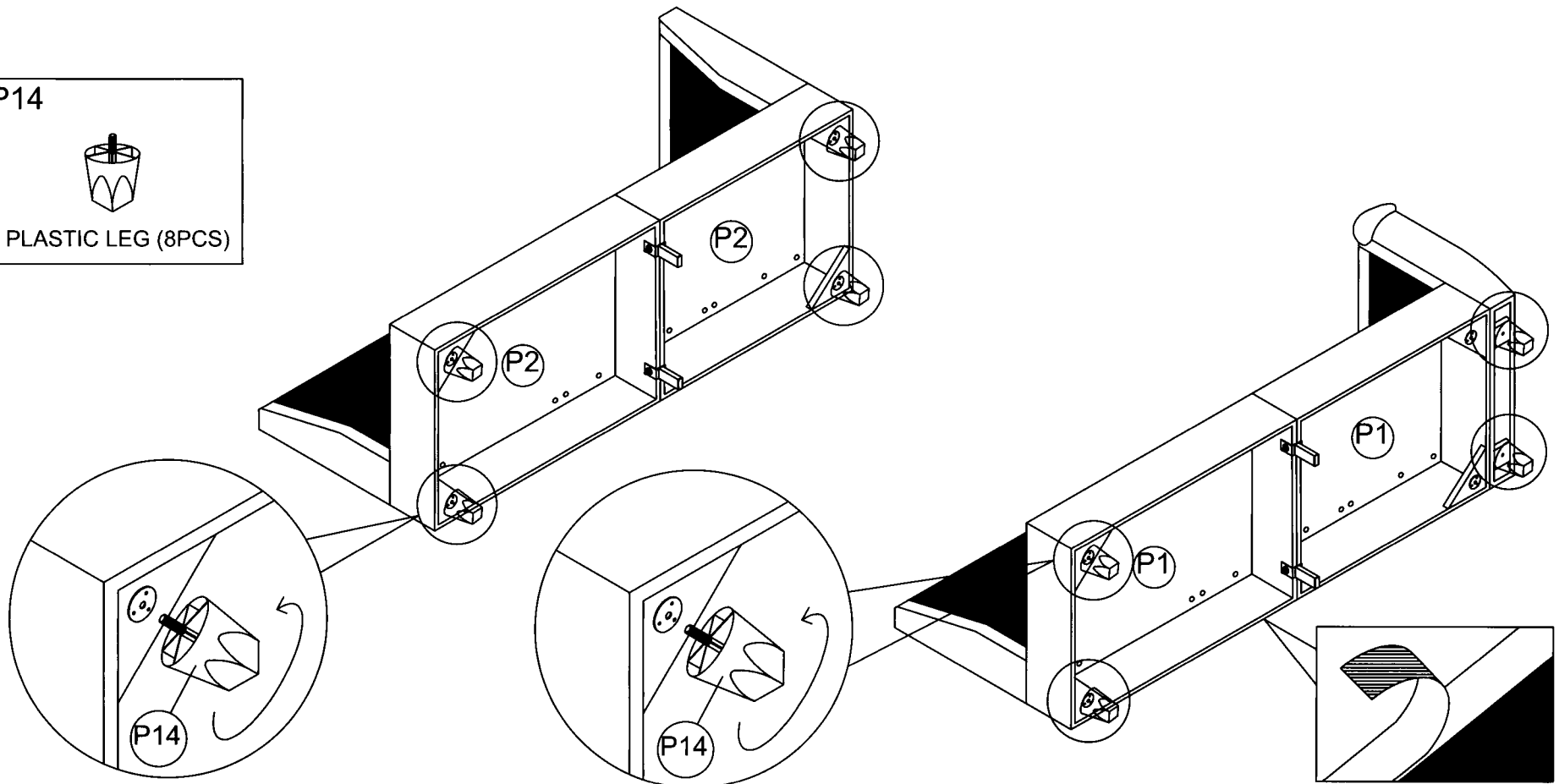
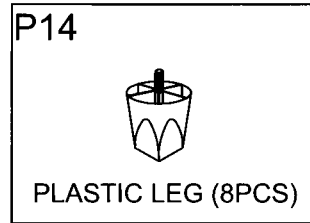
# ASSEMBLY INSTRUCTION

## STEP 8.

### SECTIONAL (Left Facing Chaise)

Closed cover cloth with velcro.

Attached Plastic Leg (P14) (8pcs) to Sofa Base (P1) (2pcs), Chaise Base (P2) (2pcs). Legs should be tightened.



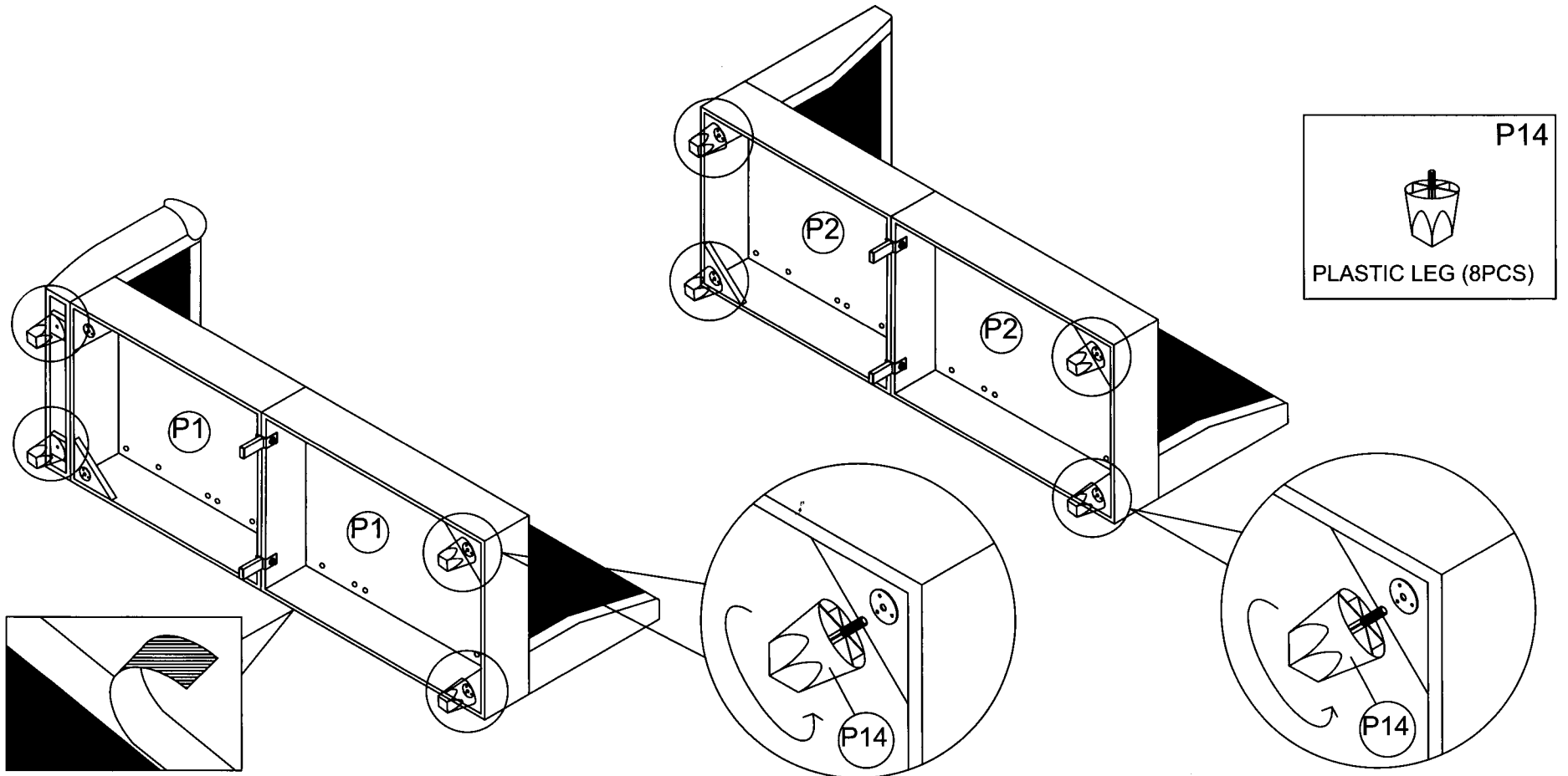
# ASSEMBLY INSTRUCTION

## STEP 8.

### SECTIONAL(Right Facing Chaise)

Closed cover cloth with velcro.

Attached Plastic Leg (P14) (8pcs) to Sofa Base (P1) (2pcs),Chaise Base (P2) (2pcs). Legs should be tightened.



## ASSEMBLY INSTRUCTION

### STEP 9.

#### SECTIONAL(Right Facing Chaise)

Attach the Cushion Seat (P10-1pc), (P11-1pc), (P12-1pc) and (P13-3pcs) to the base.

Attach the Back Pillow (P8-3pcs), (P9-2pcs), and (P16-1pc) after the cushion seat.

After that, put two parts (Chaise and Sofa) together.

