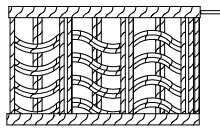
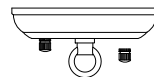


③ upper lampshade 1pcs



④ down lampshade 1pcs



⑥ canopy 1pcs

⑦ cap nut 2pcs



② hanging ring 1pcs

① bulb holder 1pcs



⑤ chain 1pcs



X 1PCS



X 1PCS



X 3PCS



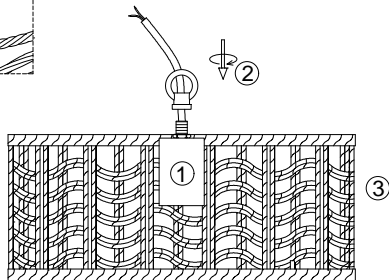
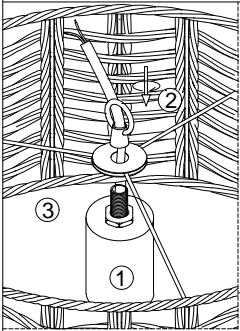
X 3PCS



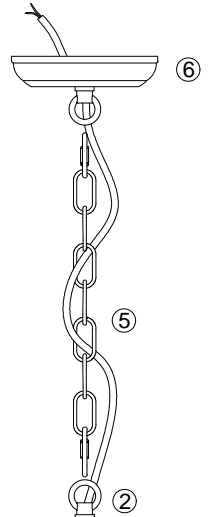
X 3PCS



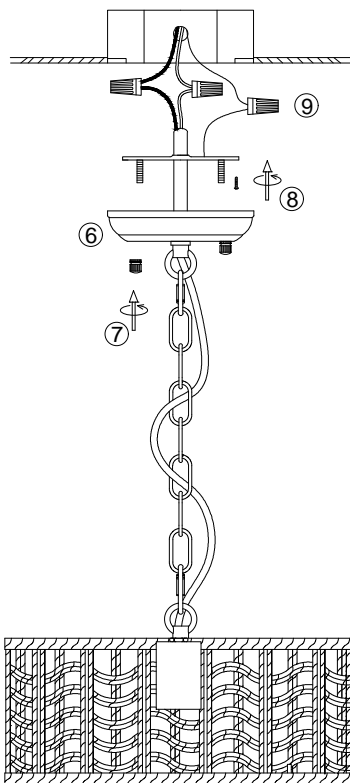
X 3PCS



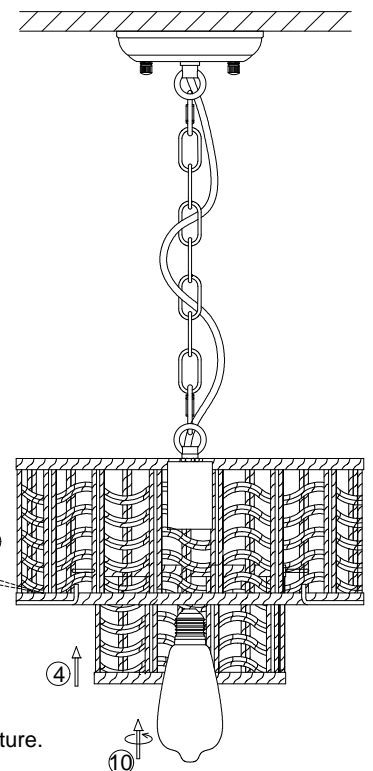
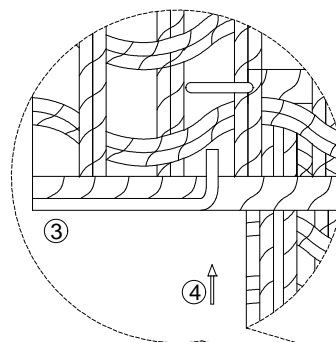
1. Let the wire of the bulb holder ① go through the upper lampshade ③, rotate the ring ② to fasten the bulb holder and the lampshade ③.



2. Hang the light fixture ② to the canopy ⑥ with chain ⑤, let the wire go through chain ⑤ and the canopy ②.



3. Install the bracket to the ceiling junction box with screw ⑧.
4. Connect the wire to your home line with cap connector ⑨.
5. Install the light fixture to the bracket with cap nuts ⑦.



6. Install the down lampshade to the light fixture.
7. Install the bulb.

Please read carefully before installation!!!

Note : Please make sure that the electricity is powered off during installation !
Only a professional electrician should install this kind of product !