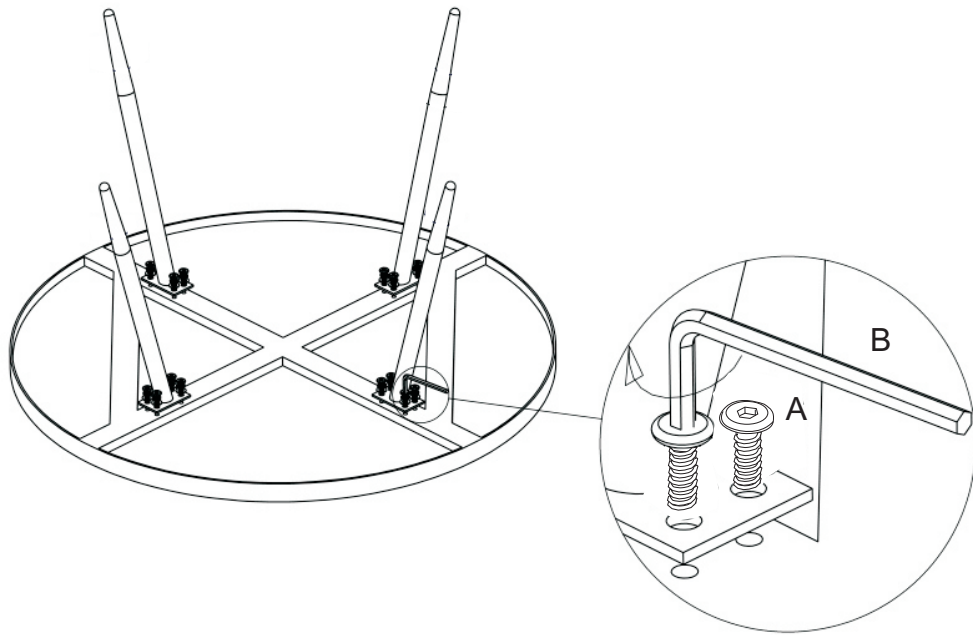




STEP1

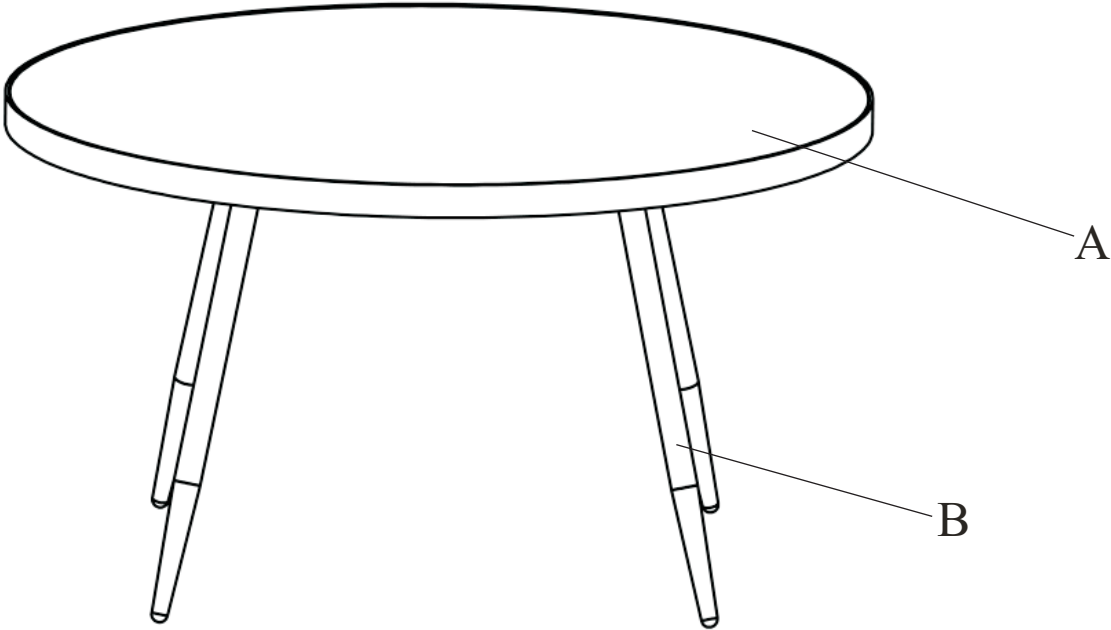


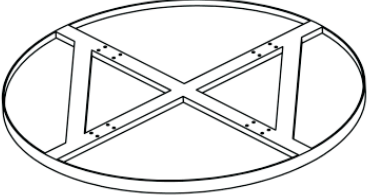

STEP2



Note: Pls to not tighten all bolts until the products is assembled completely.

A		16X	1/4"*12mm
B		1X	



A		1X
B		4X