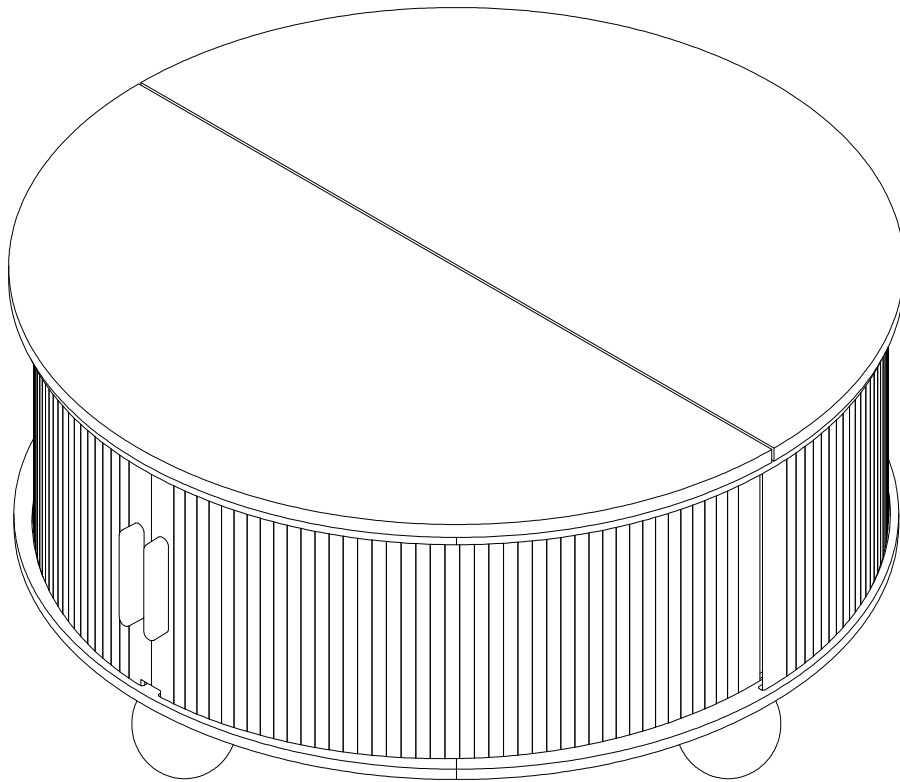


# Assembly Instructions

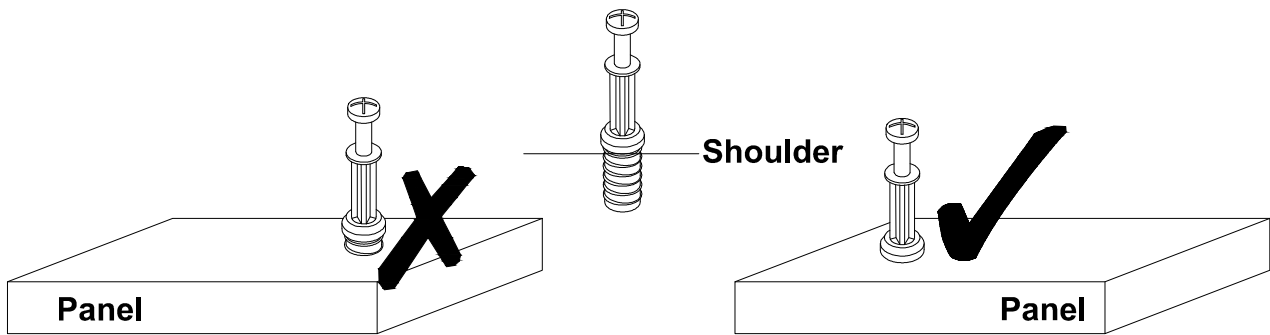


# Before Assembly

## Tips Before Your Start:

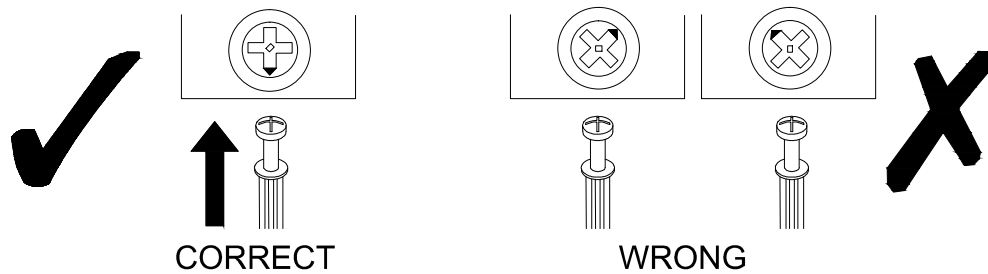
- Remove all wrapping material, including staples & packing straps before you start to assemble.
- DO NOT tighten all screws and bolts until the assembly is completely assembled.
- Keep all hardware parts out of reach of children.

## QUICKFIT



Tighten quickfit until shoulder is flush with panel. Do not overtighten or undertighten.

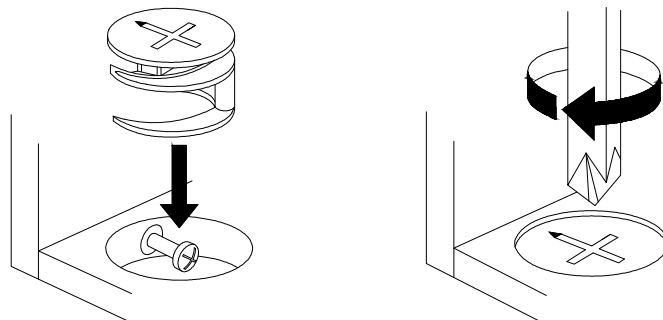
## CAM LOCK



When fitting a cam lock, ensure the starting position is correct before inserting the connecting QUI CKFIT

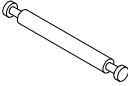


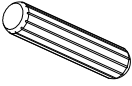
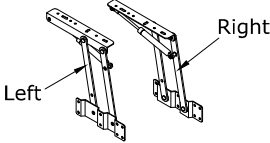
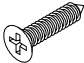



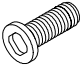
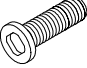

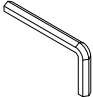
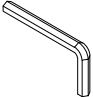
Quickfit head should be in the centre of the cam lock when the two panels are joined.

Cam lock should be inserted before quickfit.

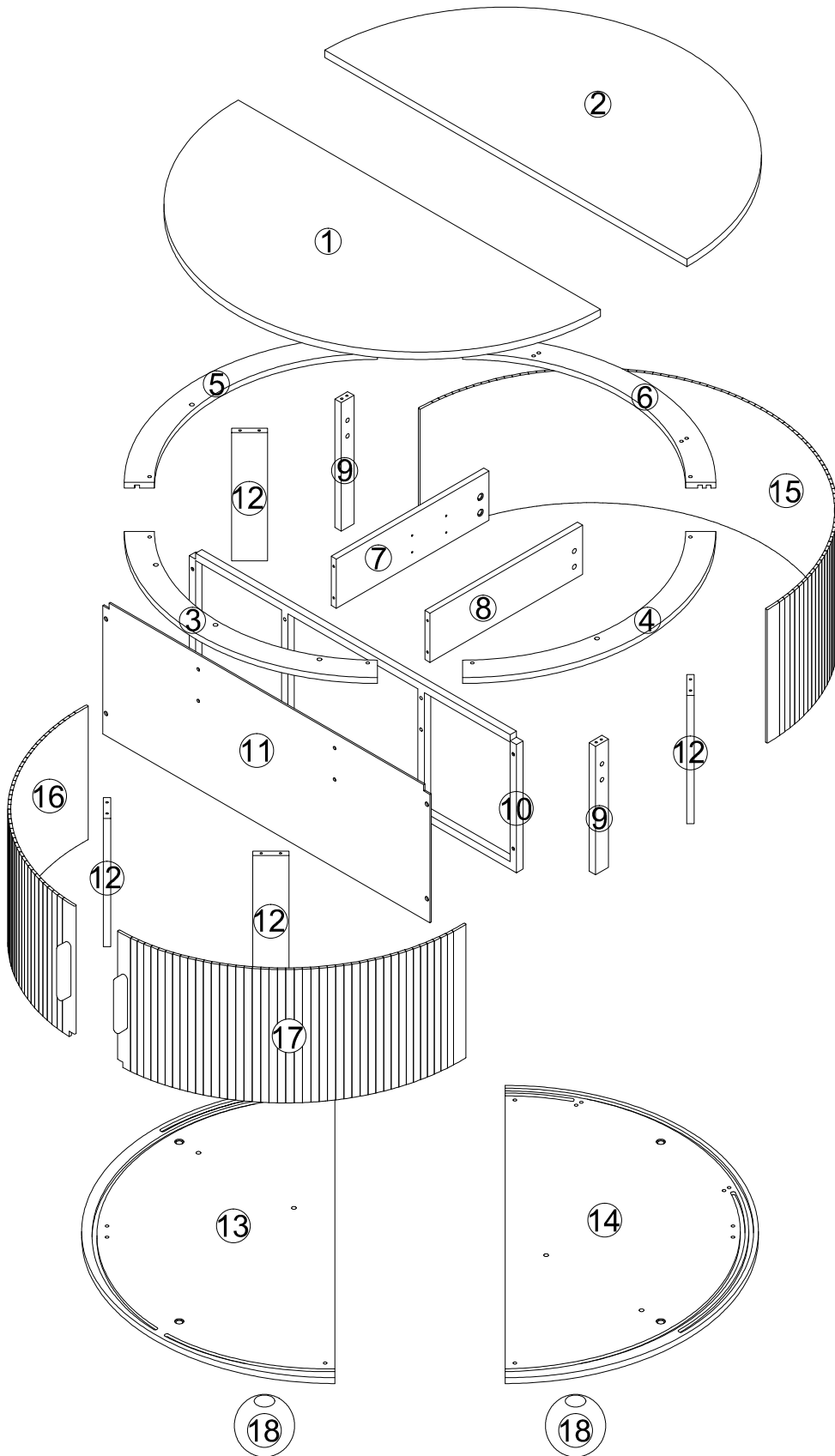


Turn cam lock clockwise to tighten.

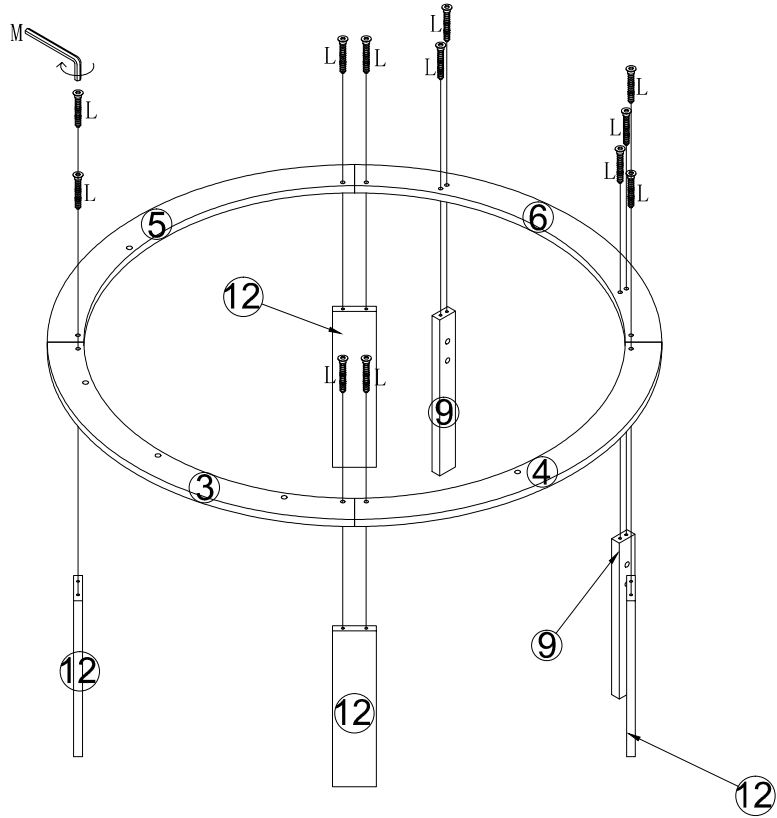
# Part List

<p><b>No. A</b> Quantity:2 Pcs Double-ended rod 6*64mm</p> 	<p><b>No. B</b> Quantity:4 Pcs Cam φ15</p> 	<p><b>No. C</b> Quantity:4 Pcs Sticker Ø20</p> 	<p><b>No. D</b> Quantity:3 Pcs Dowel 8*30mm</p> 
<p><b>No. E</b> Quantity:1 Sets Lifting rod</p> 	<p><b>No. F</b> Quantity:20 Pcs Screw M4*14mm</p> 	<p><b>No. G</b> Quantity:2 Pcs Handle 110*20mm</p> 	<p><b>No. H</b> Quantity:4 Pcs Screw M4*10mm</p> 
<p><b>No. I</b> Quantity:4 Pcs Foot Pad Ø20</p> 	<p><b>No. J</b> Quantity:4 Pcs Screw M6*10mm</p> 	<p><b>No. K</b> Quantity:13 Pcs Screw M6*25mm</p> 	<p><b>No. L</b> Quantity:28 Pcs Screw M5*40mm</p> 
<p><b>No. M</b> Quantity:1 Pc Allen Key 3#</p> 	<p><b>No. N</b> Quantity:1 Pc Allen Key 4#</p> 		

# Product structure



# STEP 1



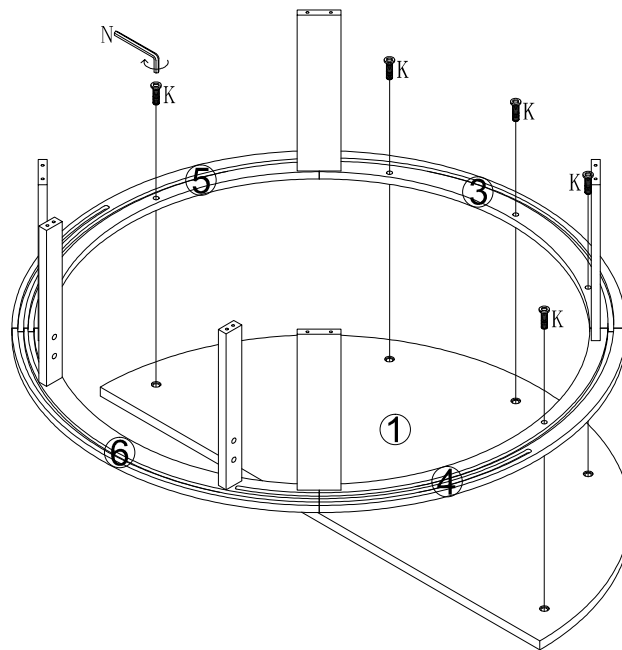
No. L  
Quantity: 12 Pcs  
M5\*40mm



No. M  
Quantity: 1 Pc  
3#



# STEP 2



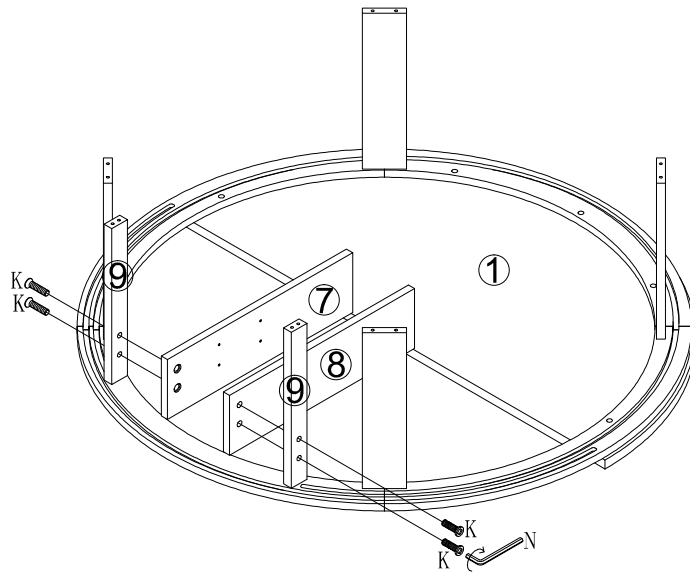
No. K  
Quantity: 5 Pcs  
M6\*25mm



No. N  
Quantity: 1 Pc  
4#



# STEP 3



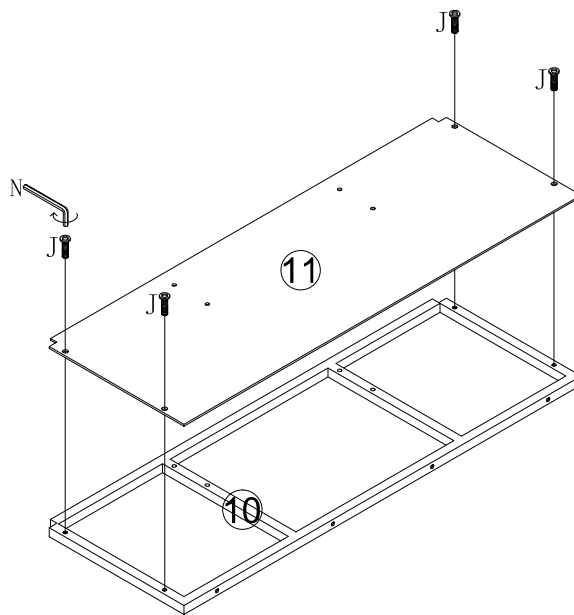
No. K  
Quantity: 4 Pcs  
M6\*25mm



No. N  
Quantity: 1 Pc  
4#



# STEP 4



No. J  
Quantity: 4 Pcs  
M6\*10mm



No. N  
Quantity: 1 Pc  
4#

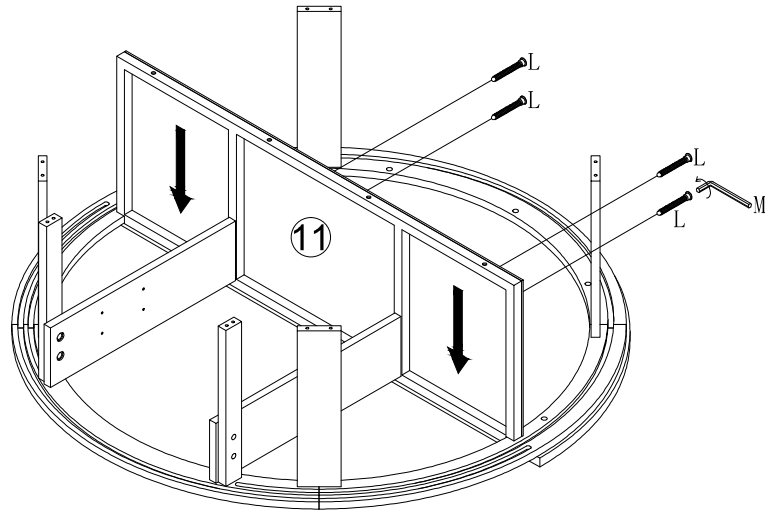
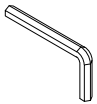


# STEP 5

No. L  
Quantity: 4 Pcs  
M5\*40mm



No. M  
Quantity: 1 Pc  
3#

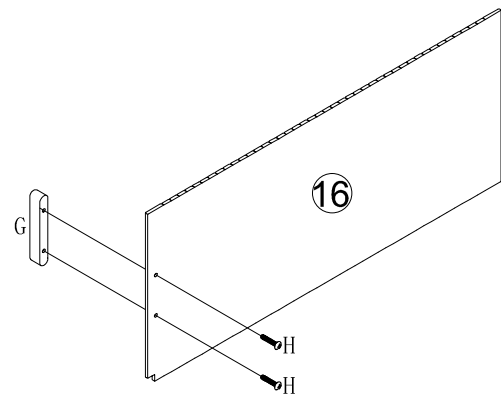
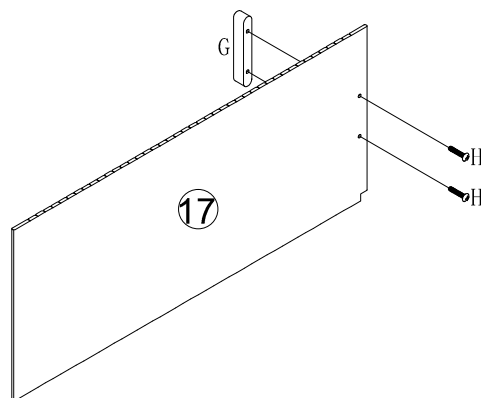


# STEP 6

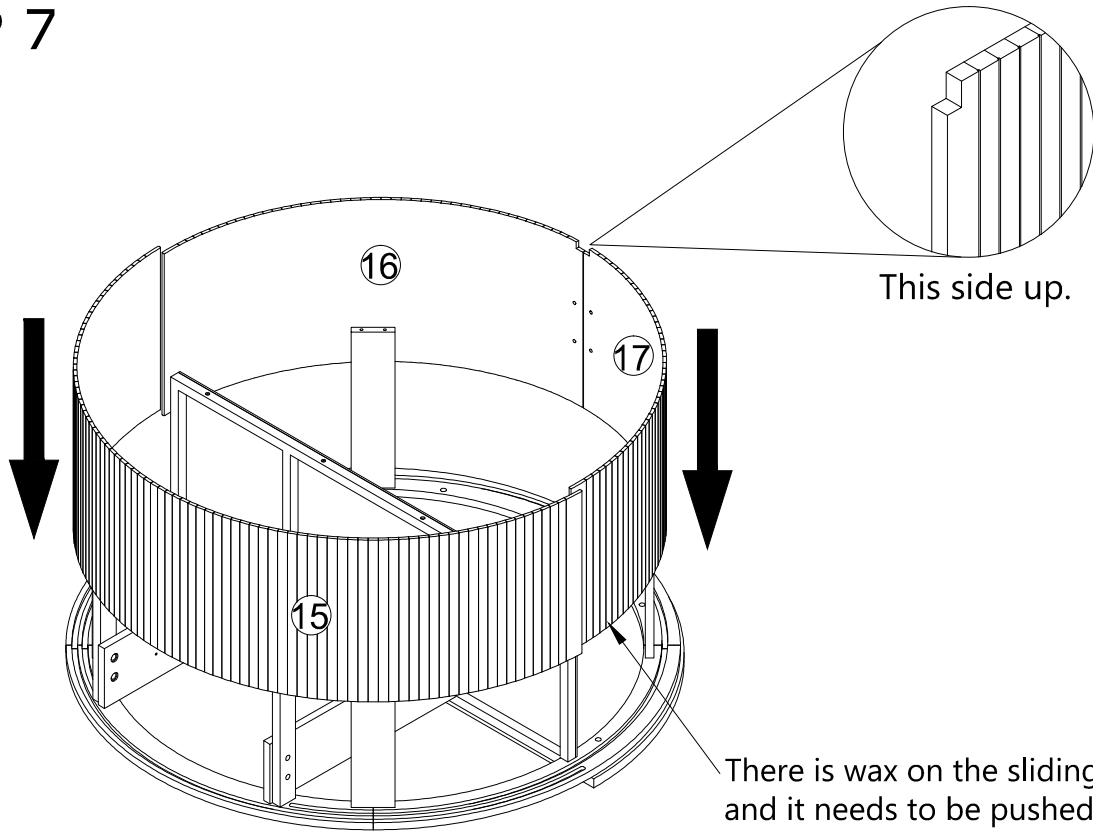
No. G  
Quantity: 2 Pcs  
110\*20mm



No. H  
Quantity: 4 Pcs  
M4\*10mm



# STEP 7



There is wax on the sliding door, and it needs to be pushed and rubbed back and forth before use, so that the wax is evenly attached to the board.

# STEP 8

No. K  
Quantity: 2 Pcs  
M6\*25mm



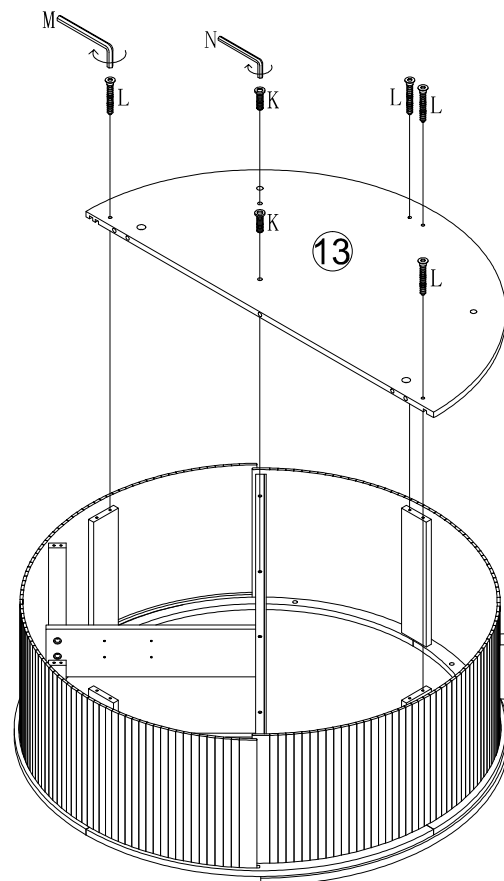
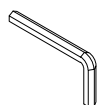
No. L  
Quantity: 4 Pcs  
M5\*40mm



No. M  
Quantity: 1 Pc  
3#

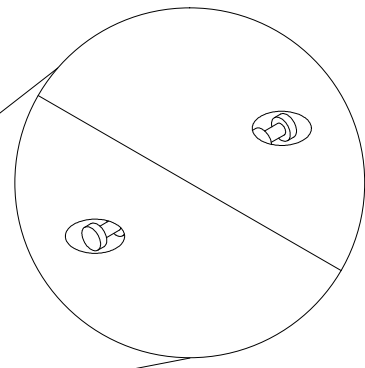
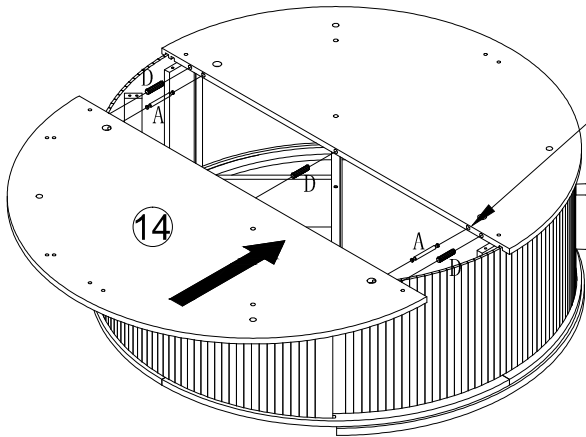


No. N  
Quantity: 1 Pc  
4#

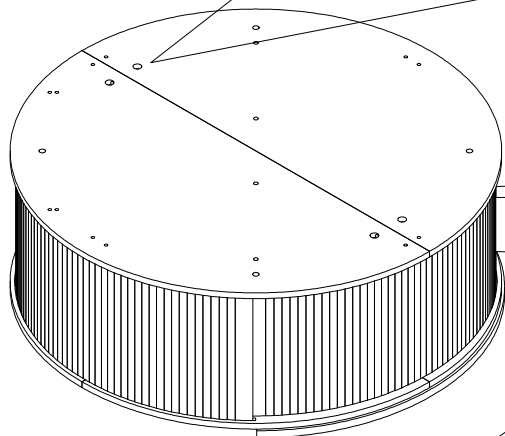


# STEP 9

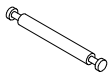
After inserting the hardware labeled 'A' and 'D', please do not use the item labeled 'B' to lock 'A' yet.



After placing the item labeled 'A,' please use the tool to adjust its sides. Try to make both sides the same length, otherwise the two boards may not be able to lock together.



No. A  
Quantity: 2 Pcs  
6\*64mm



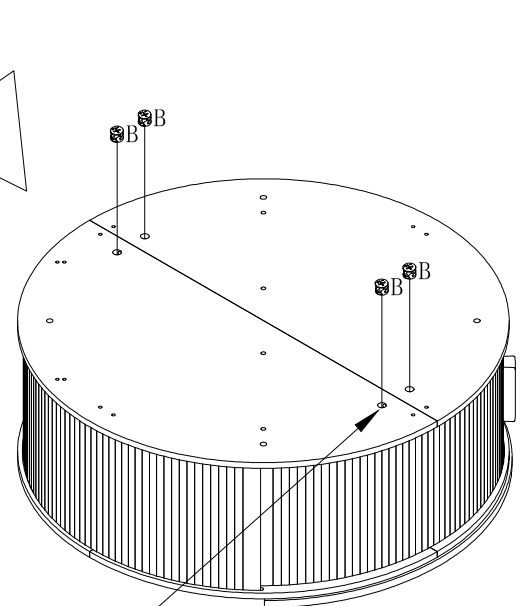
No. B  
Quantity: 4 Pcs  
φ15



No. D  
Quantity: 3 Pcs  
8\*30mm



After adjusting the 'A' numbered part, use the 'B' numbered part to lock it in place. However, be careful not to tighten one side immediately, as this will prevent the other side from locking. Please tighten both sides together, a little at a time—tighten a bit on the left, then a bit on the right, and repeat this cycle until fully tightened.



# STEP 10

No. K  
Quantity: 2 Pcs  
M6\*25mm



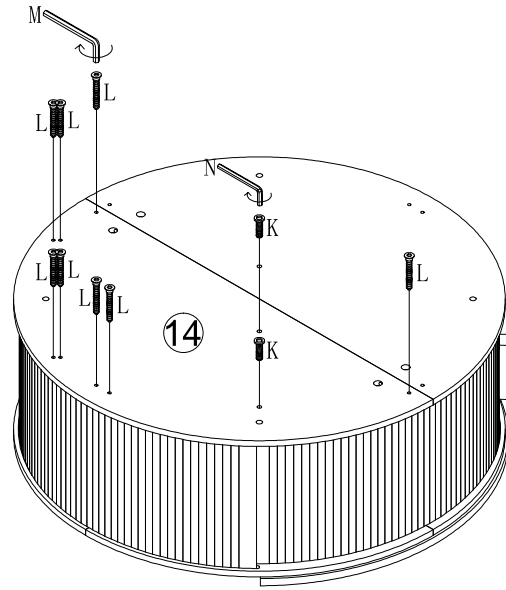
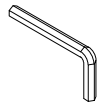
No. L  
Quantity: 8 Pcs  
M5\*40mm



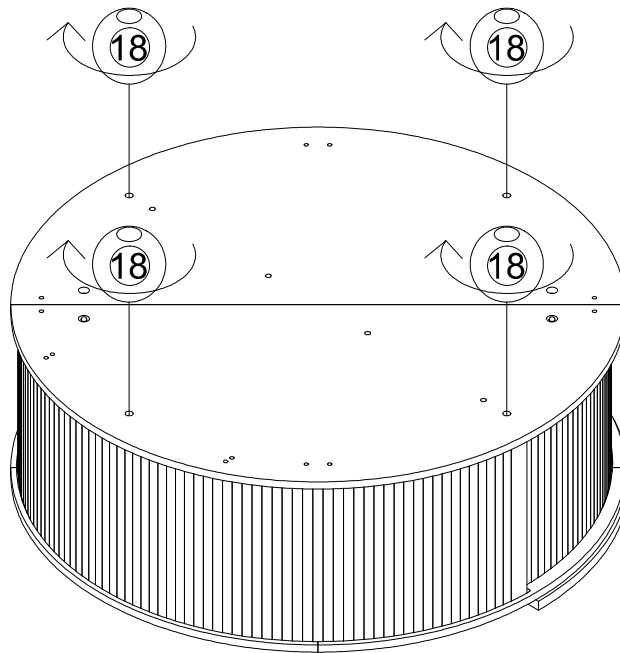
No. M  
Quantity: 1 Pc  
3#



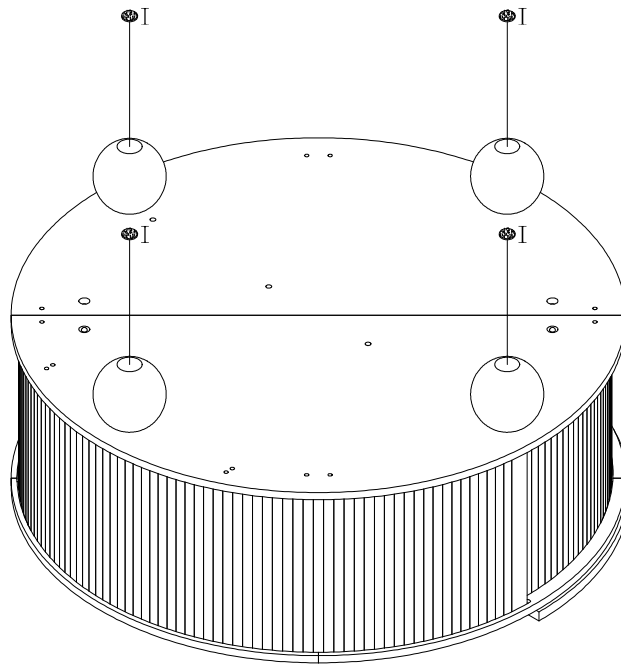
No. N  
Quantity: 1 Pc  
4#



# STEP 11



# STEP 12

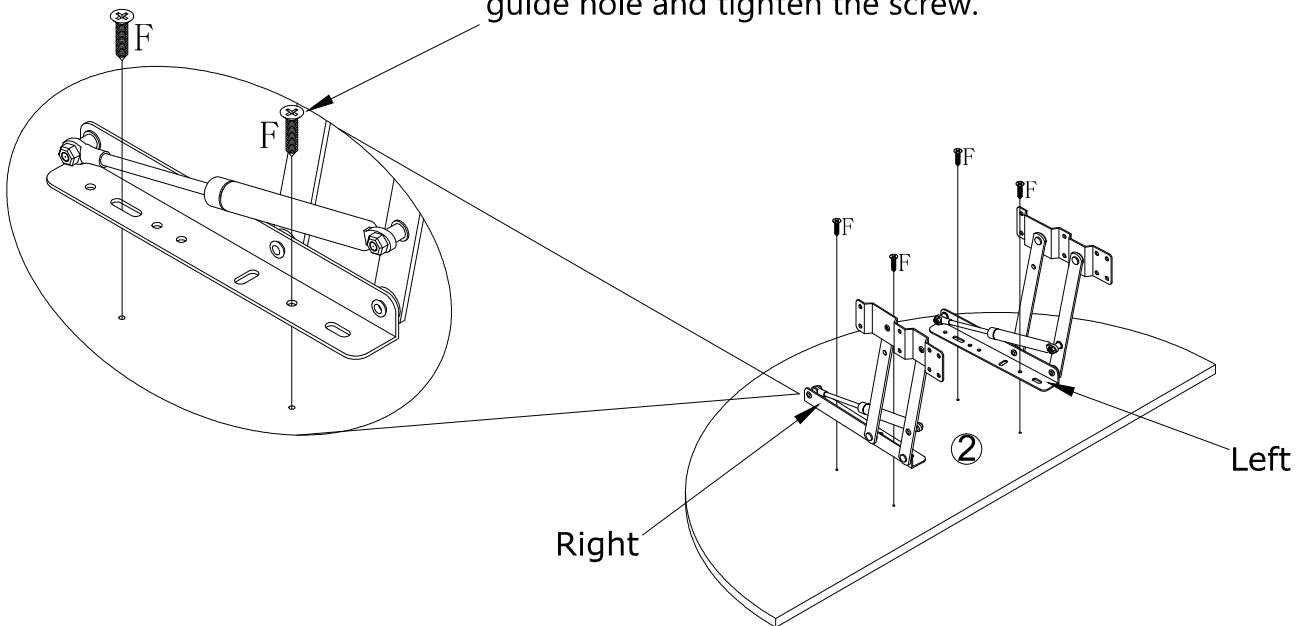


No. I  
Quantity: 4 Pcs  
Ø20

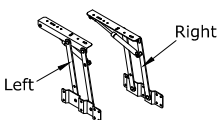


# STEP 13

Note: First align the front guide hole, then tighten the screw, and then align the rear guide hole and tighten the screw.



No. E  
Quantity: 1 Sets

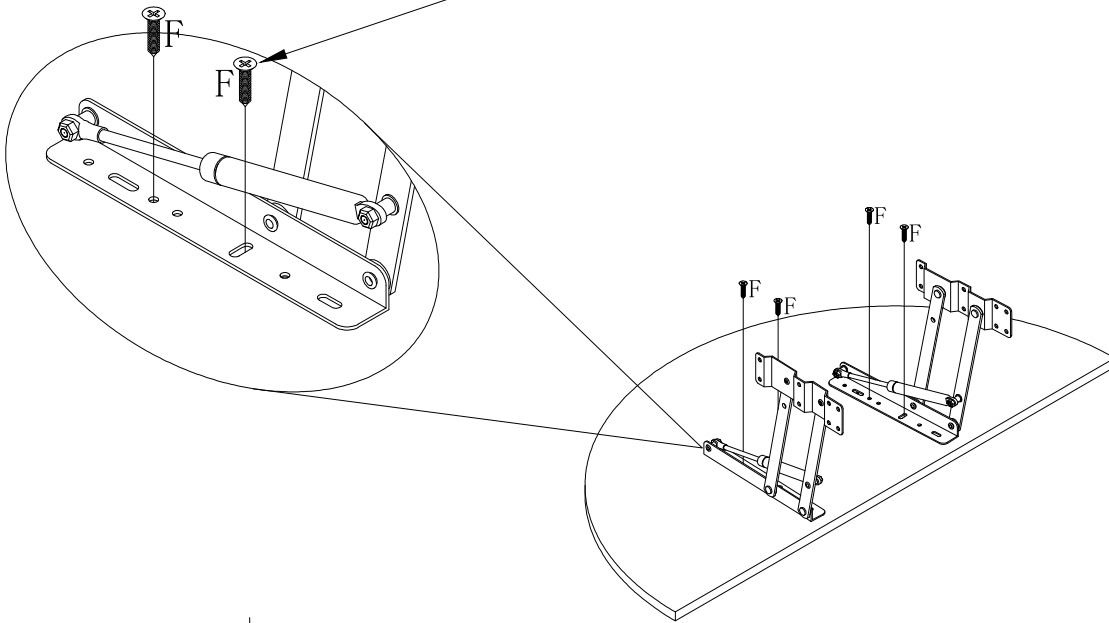


No. F  
Quantity: 4 Pcs  
M4\*14mm



## STEP 14

Note: Use screws to reinforce the lifting rod, there are no pilot holes here, the screws can be tightened directly.



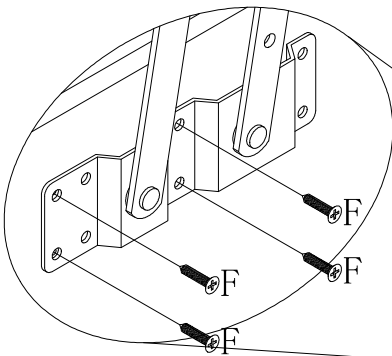
No. F  
Quantity: 4 Pcs  
M4\*14mm



## STEP 15

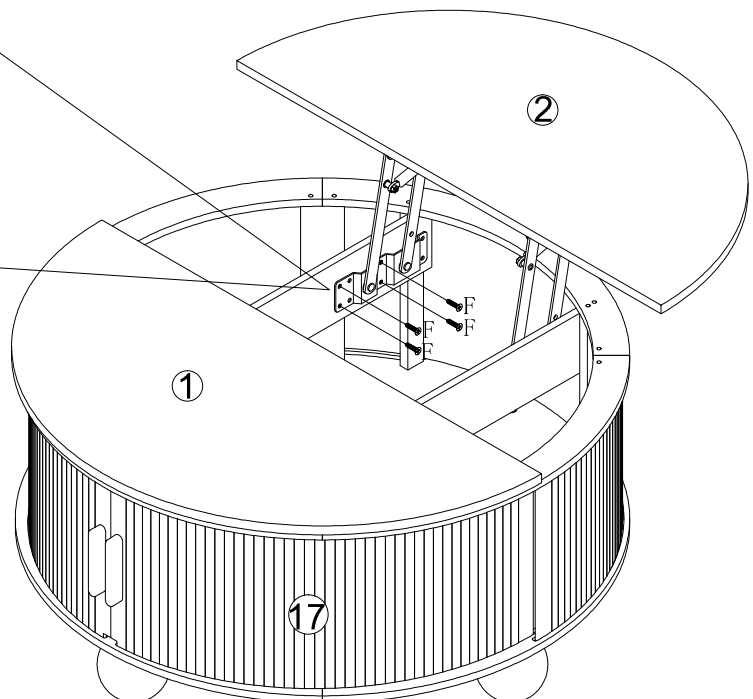


Note: It takes two people to work when installing the No. 2 board, and someone needs to lift the other side to keep it balanced when installing one side.

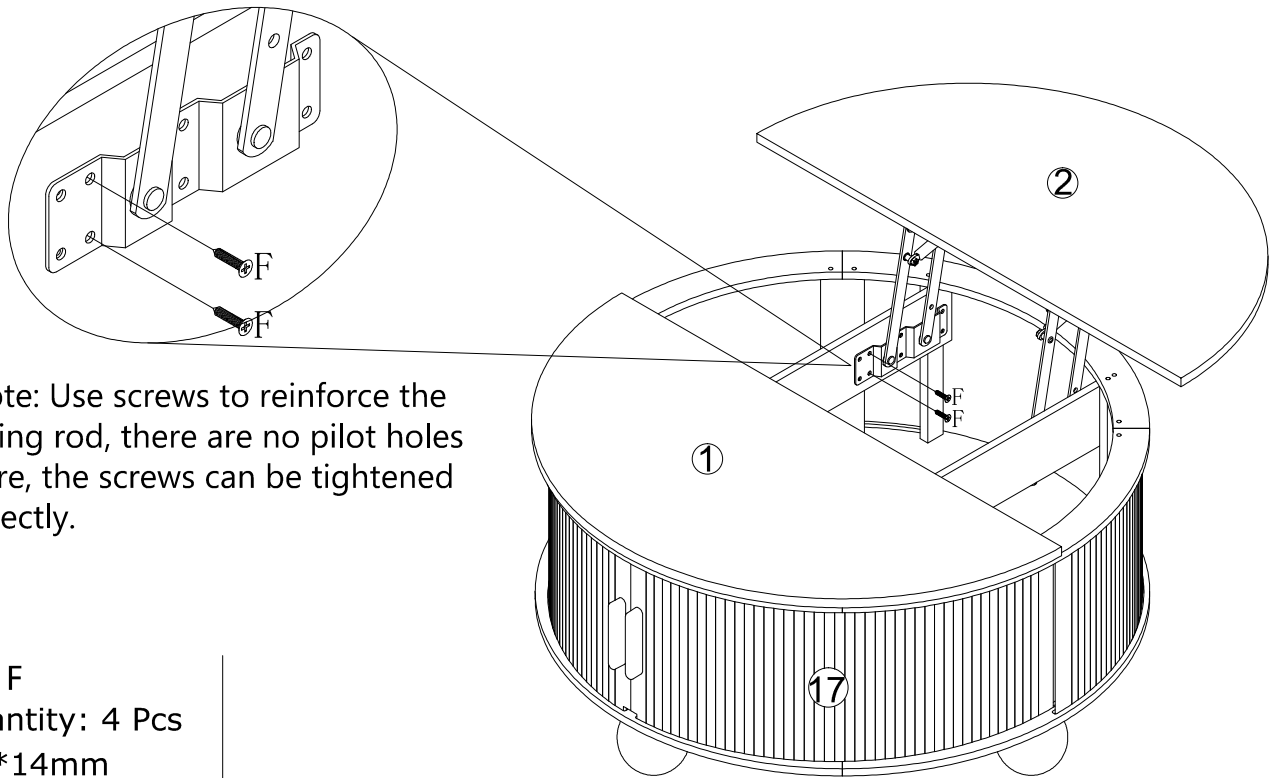


Note: First, align the two holes of the lifting rod with these two guide holes and tighten them with screws.

No. F  
Quantity: 8 Pcs  
M4\*14mm



## STEP 16

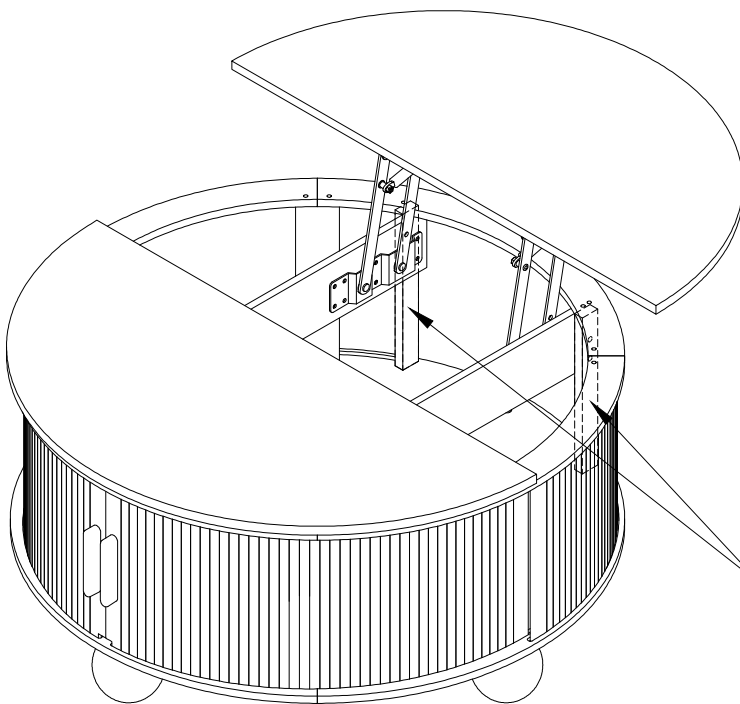


Note: Use screws to reinforce the lifting rod, there are no pilot holes here, the screws can be tightened directly.

No. F  
Quantity: 4 Pcs  
M4\*14mm



## STEP 17



After installing the lift rod 'E' hardware, lower the panel. If there is unevenness between the two panels or if the gaps are larger on one side than the other, try loosening the screws at the top of these two panels slightly, which may help improve the situation.