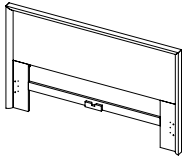


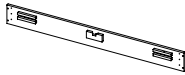
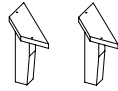
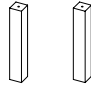

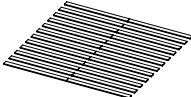


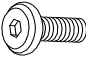
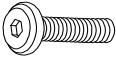
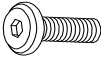
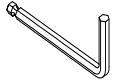
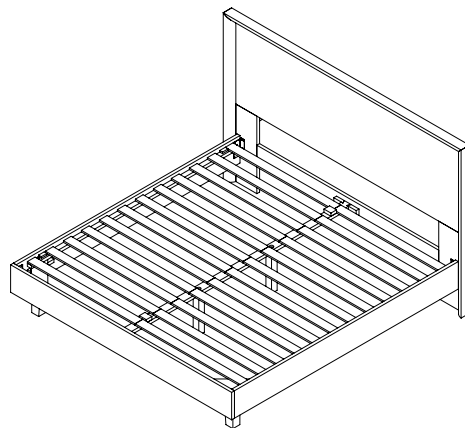


# ASSEMBLY INSTRUCTIONS

## PARTS LIST

A	HEADBOARD x 1		<p><b>Before Beginning</b></p> <p>1 - Carefully unpack and position the item on a clean, non-marring surface to assemble.</p> <p>2 - Read this Assembly Instructions from beginning to end before starting to assemble.</p> <p>3 - Take an inventory of the required parts to ensure all are available.</p> <p>4 - To prevent accidental choking hazards, keep all packing materials away from small children.</p> <p>5 - Only tighten hardware until ALL hardware are fully engaged on their locations. Overtighten bolts will damage the bolt threads.</p> <p>6 - Use only factory provided hardware to assemble. Unapproved hardware can damage product or jeopardize the structural integrity of the product.</p> <p>7 - The use of power tool to assemble is not recommended due to high risk of over-torque, which can damage the product.</p>
B1	SIDERAIL x 1		
B2	SIDERAIL x 1		
C	FOOTBOARD x 1		
D	CORNER LEG x 2		
E	CENTER LEG x 2		
F	CENTER SUPPORT x 1		
G	SLATES x 24		

<p>Z1</p>  <p>Ø12 x Ø10MM x 4</p>	<p>Z2</p>  <p>Ø22 x Ø10MM x 18</p>	<p>Z3</p>  <p>M6 x 25MM x 12</p>	<p>Z4</p>  <p>M6 x 50MM x 4</p>	<p>Z5</p>  <p>M6 x 40MM x 2</p>	<p>Z6</p>  <p>M5 x 110MM x 1</p>
--	---	---	---	--	---



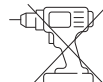
TWO PEOPLE



30-MINUTE  
ASSEMBLY TIME

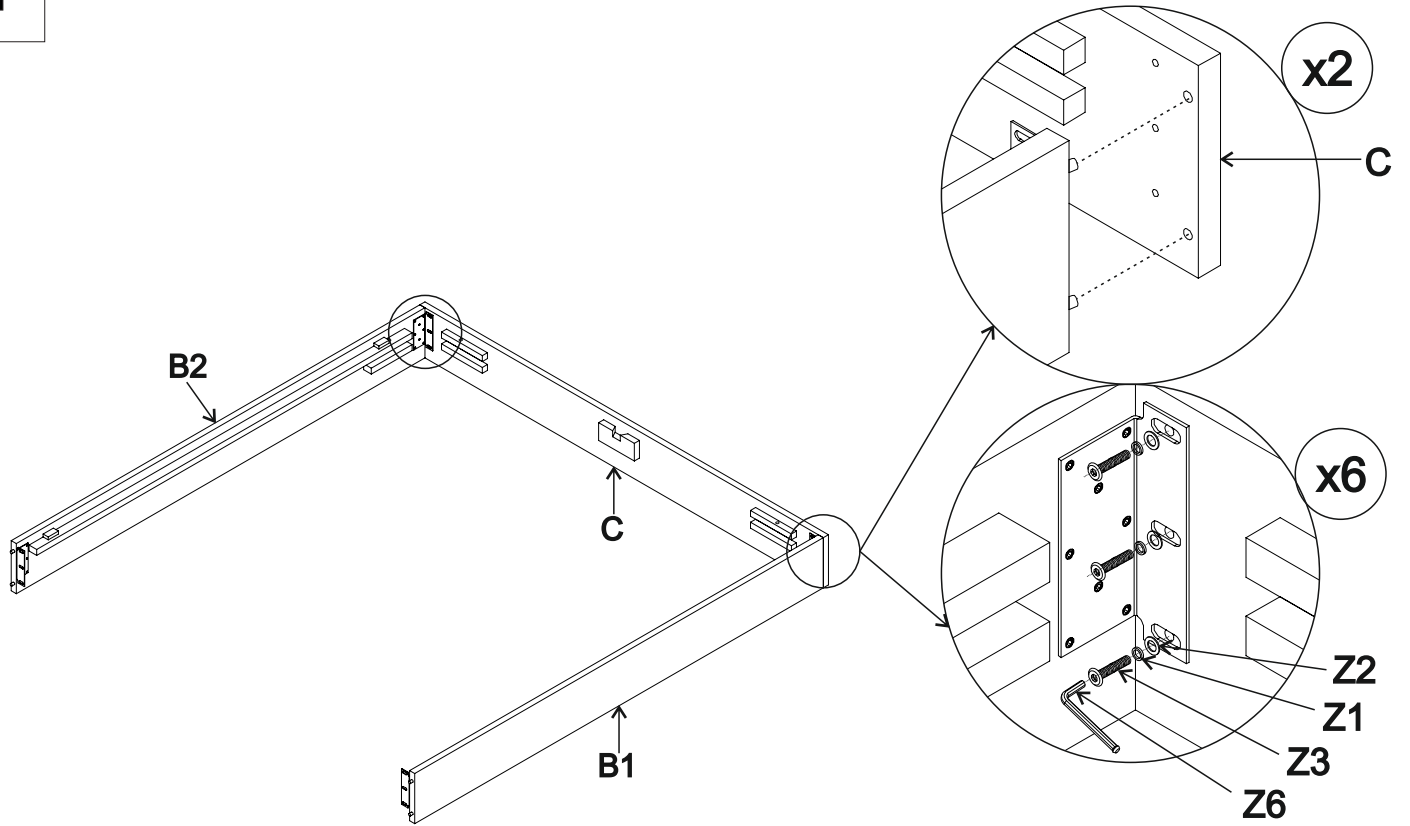


KEEP INSTRUCTIONS  
FOR FUTURE USE

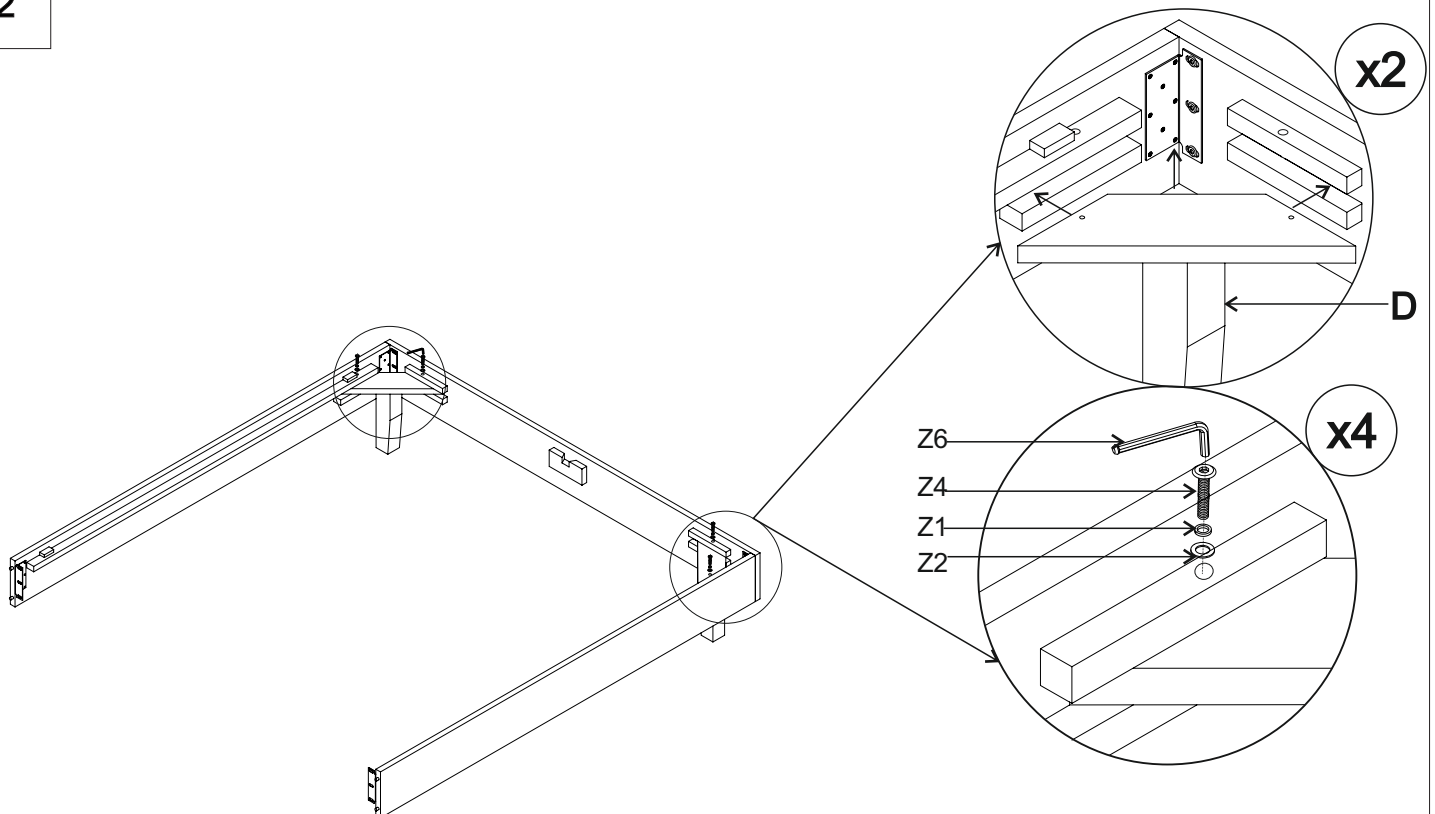


# ASSEMBLY INSTRUCTIONS

1

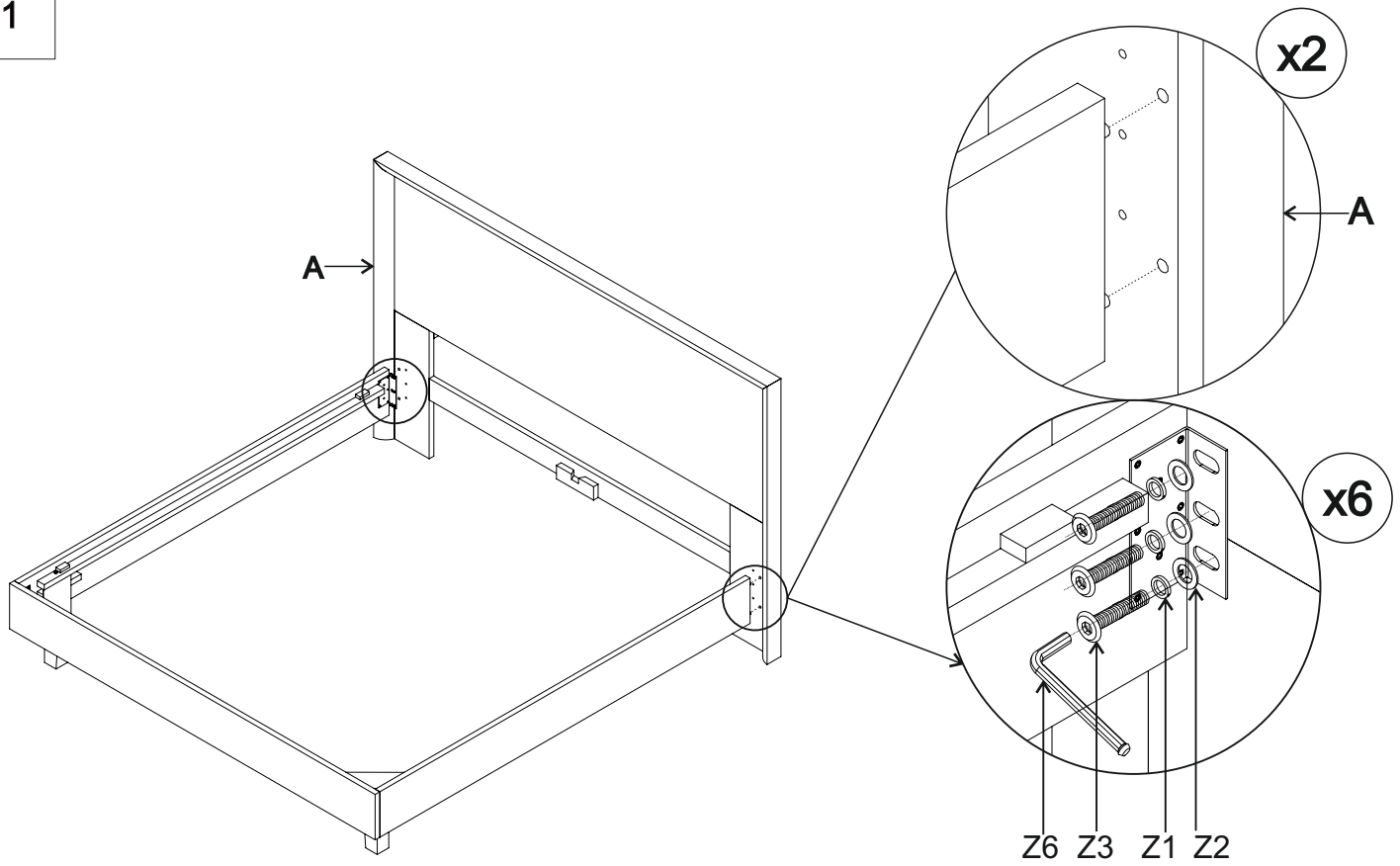


2

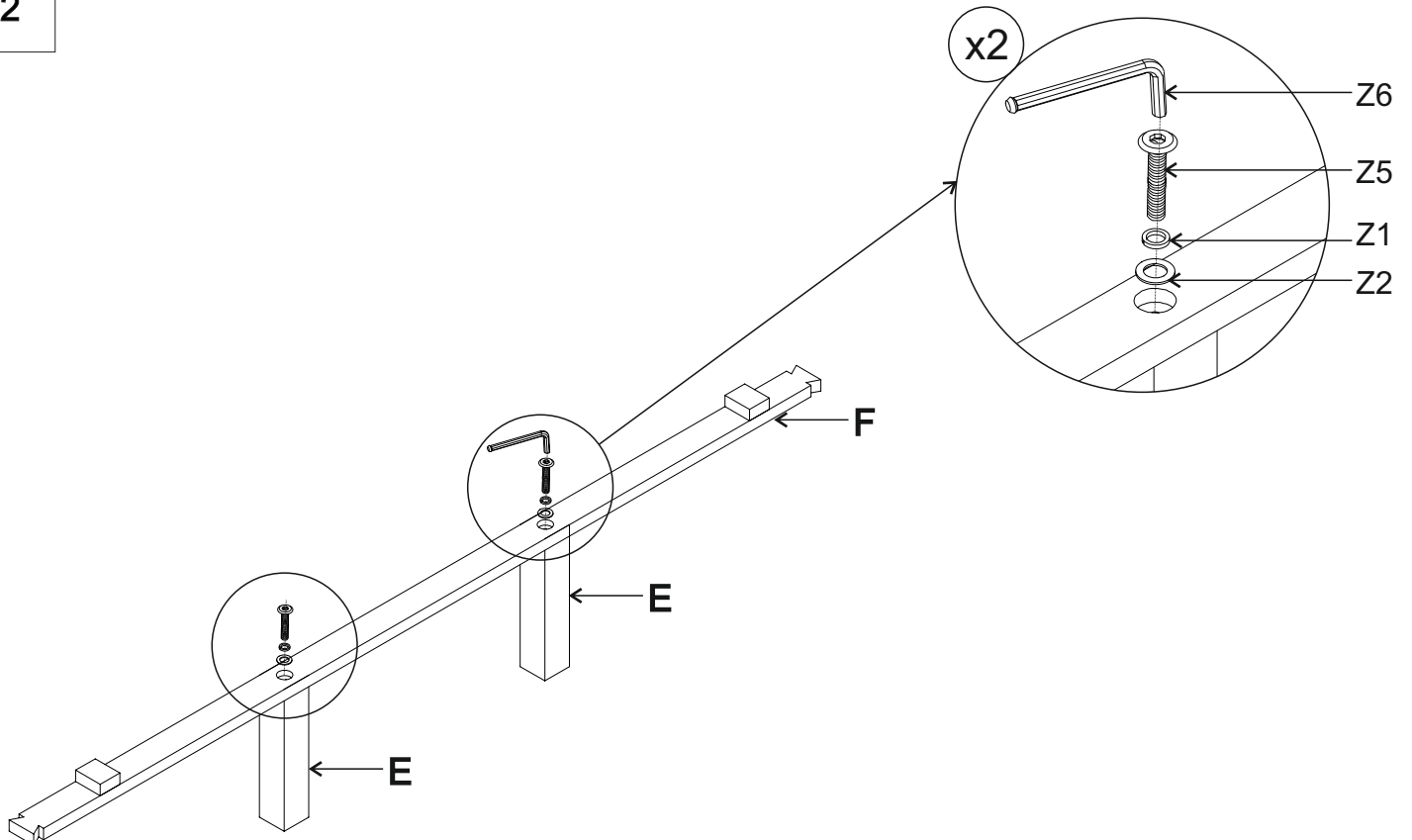


# ASSEMBLY INSTRUCTIONS

1

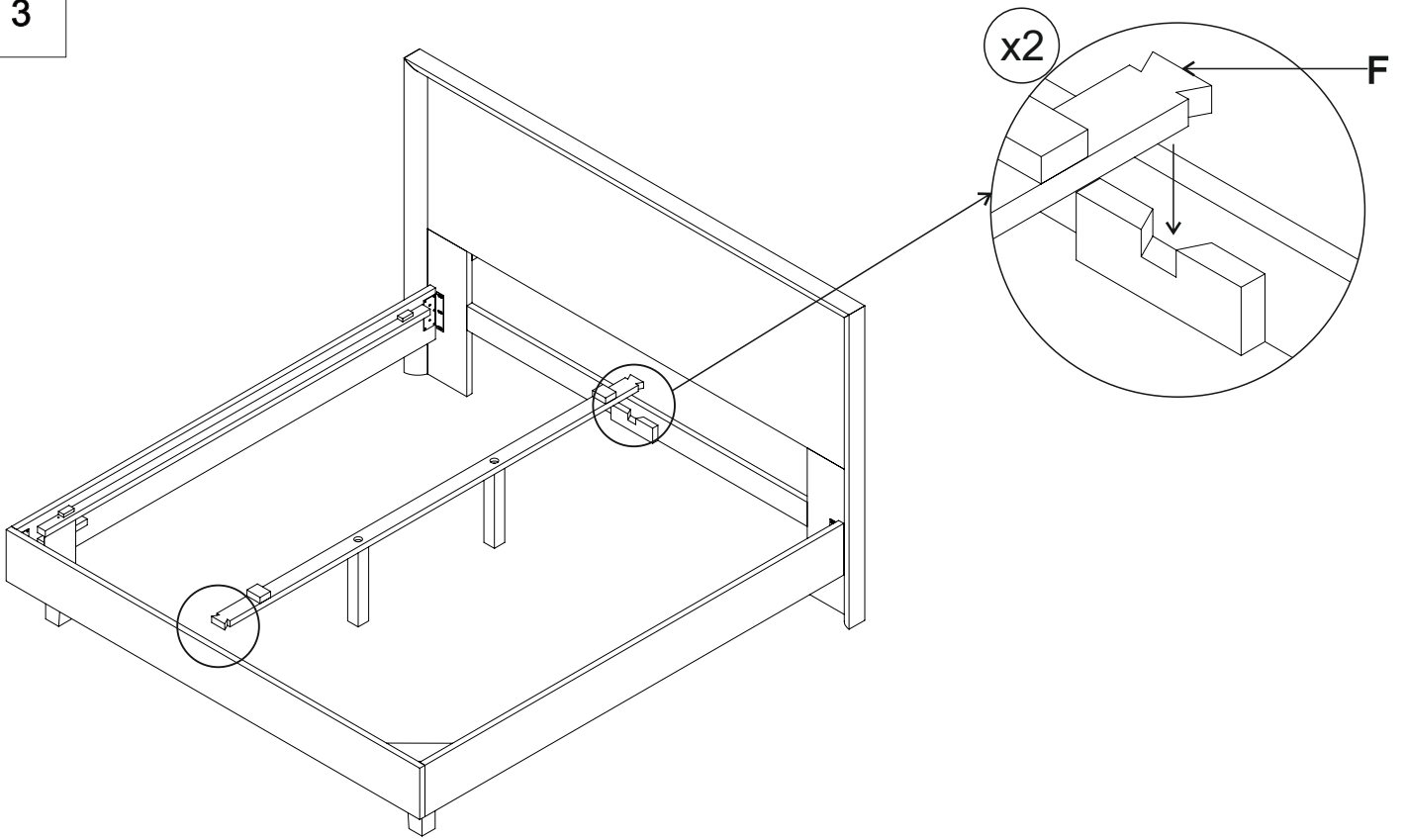


2

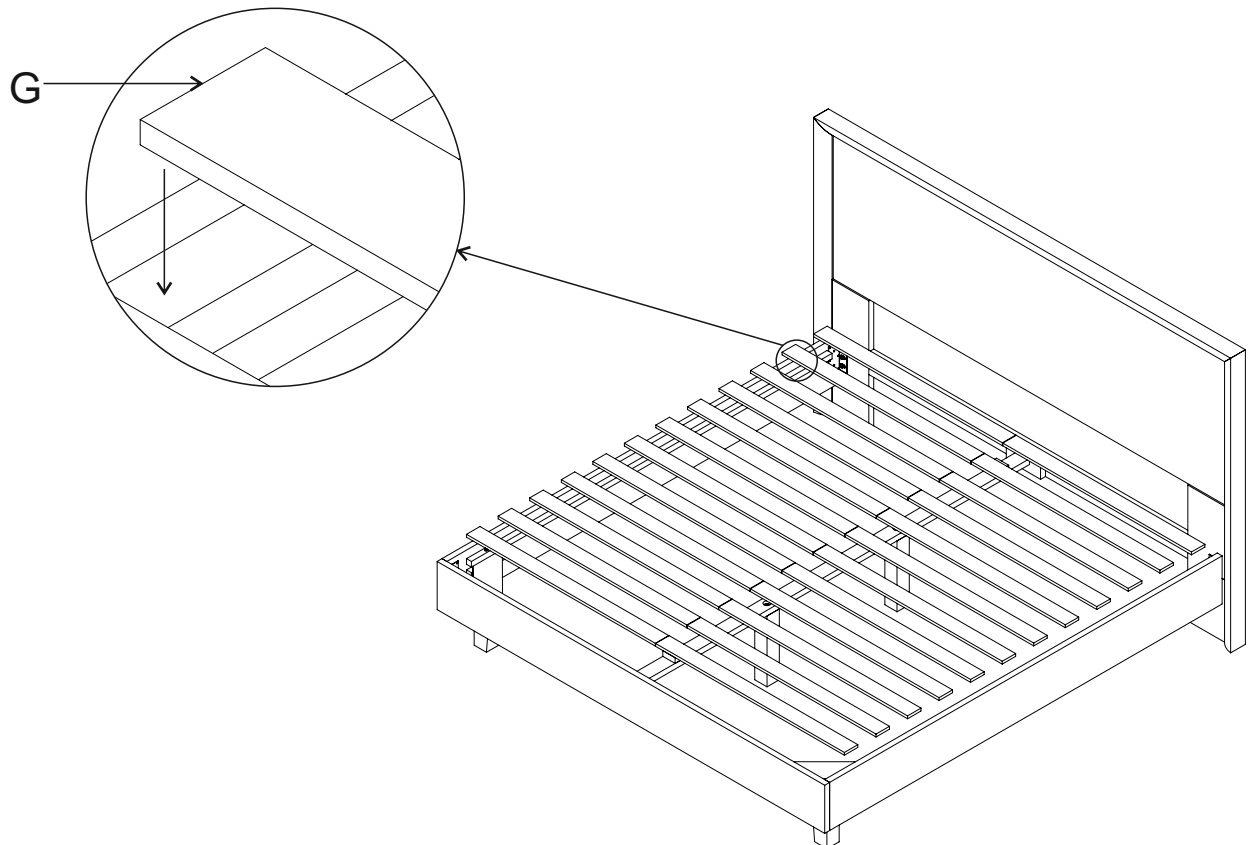


# ASSEMBLY INSTRUCTIONS

3



4



# ASSEMBLY INSTRUCTIONS

5

