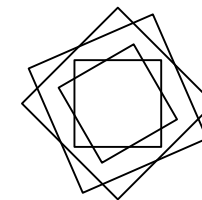
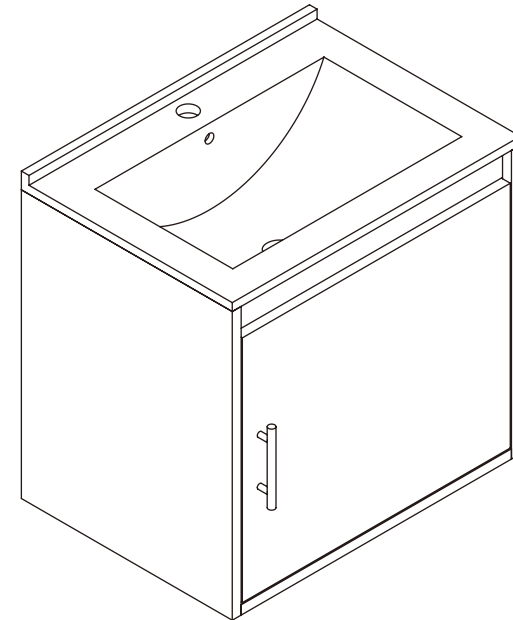


Installation Manual- BV C05124
BV C05130

MOTIVATE
YOUR LIFE !

THANKS FOR WATCHING

Your feedback is invaluable to us and we would love to hear about your experience. Please take the time to leave us a review.

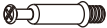









Thank you for shopping with us!

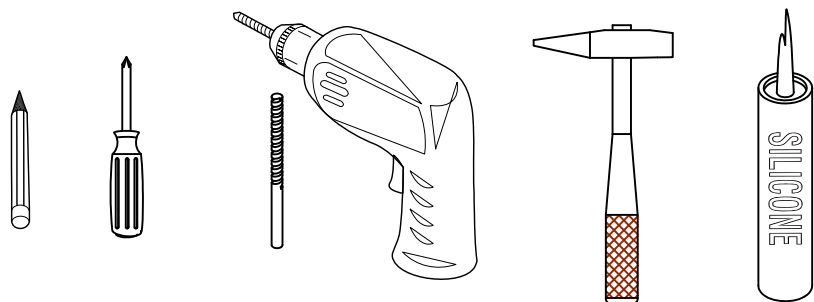
We encourage you to take a few minutes to go through this booklet. It contains important information on installation and care tips to keep your furniture looking as good as new.

Item NO.: BV C0524/BV C05

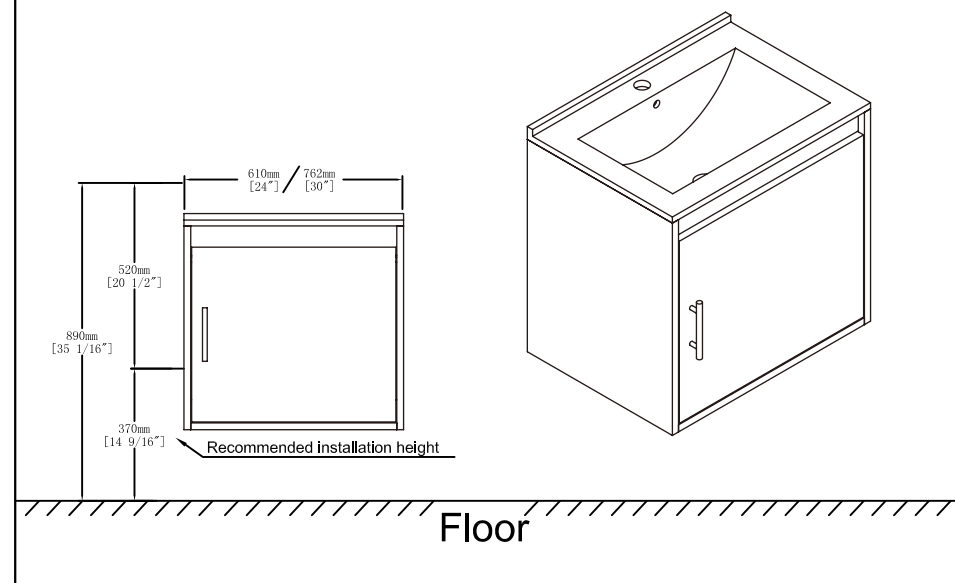
Hardware

NO.	Draw	QTY
J		17
K		17
L		35
M		2
N		2
O		1
P		2
Q		4

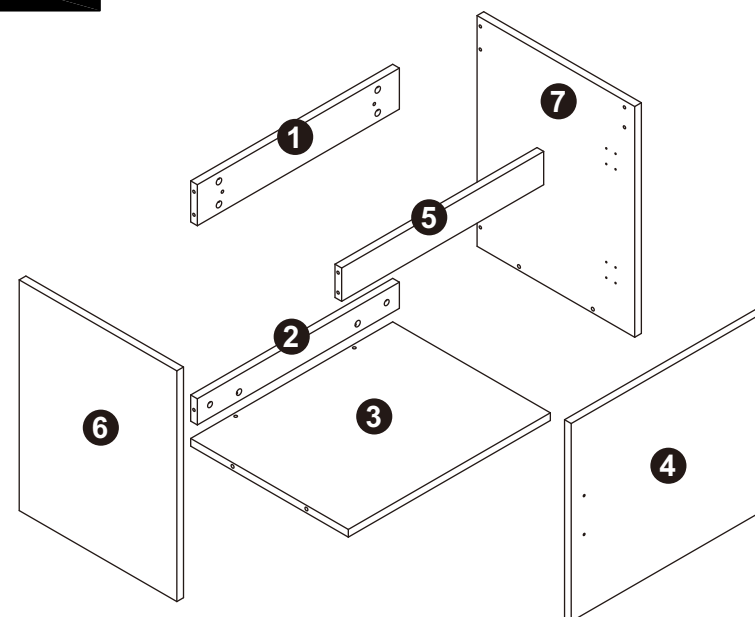
Recommended tools

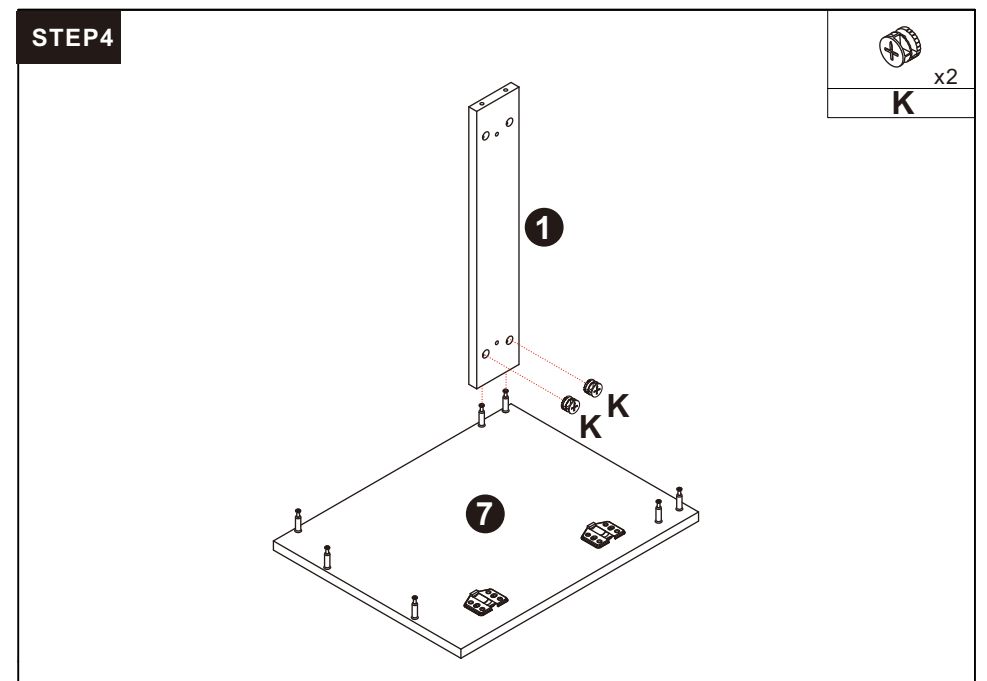
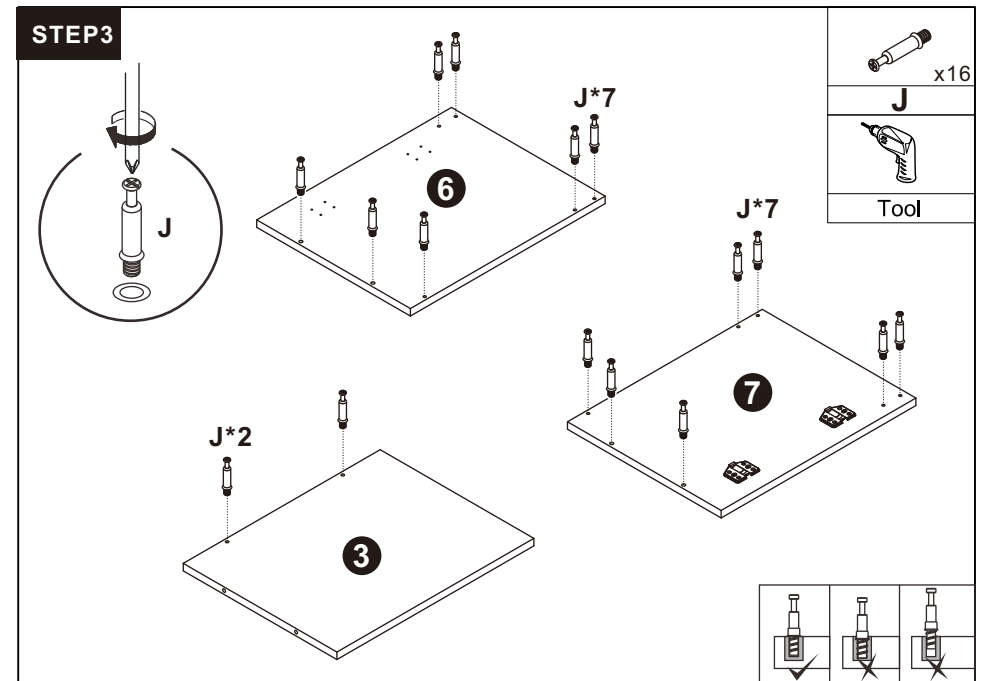
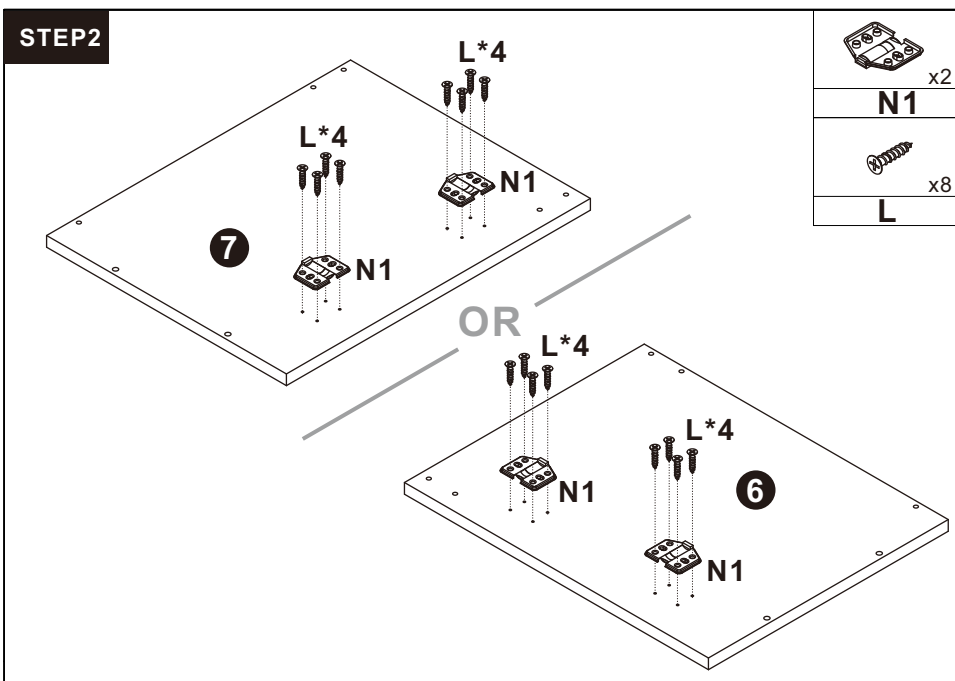
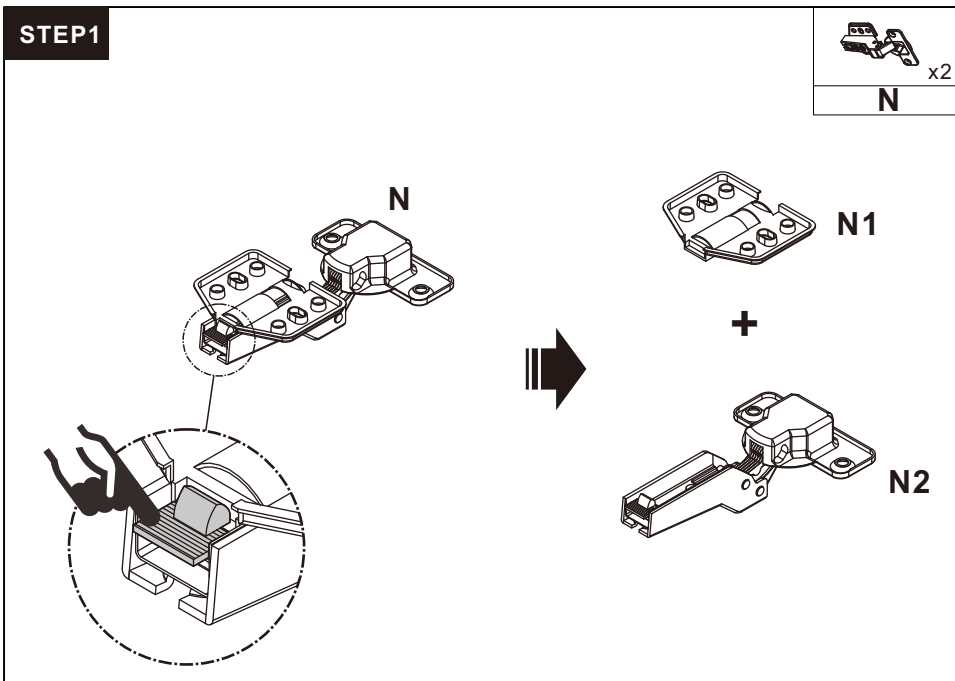


Dimensions



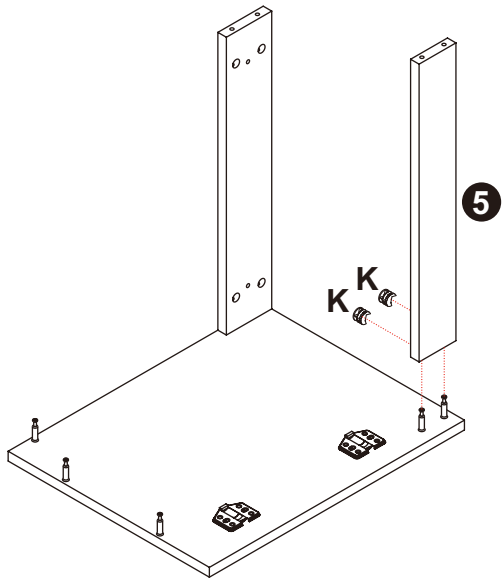
Components





STEP5

 x2
K

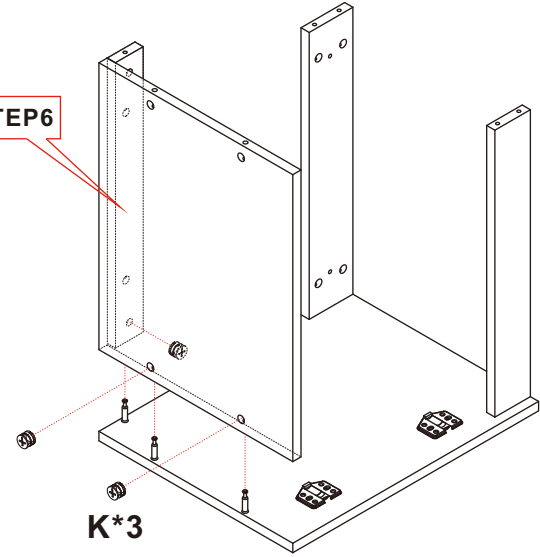


STEP7

 x3
K

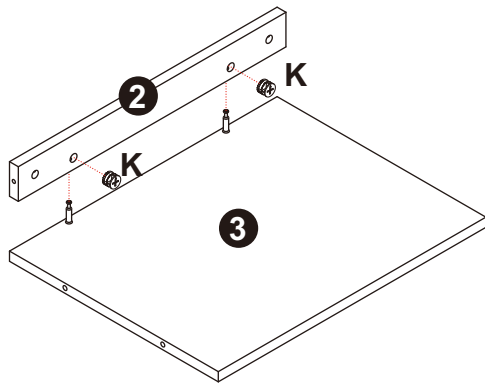
STEP6

K*3



STEP6

 x2
K



STEP8

 x7
K

K*7

