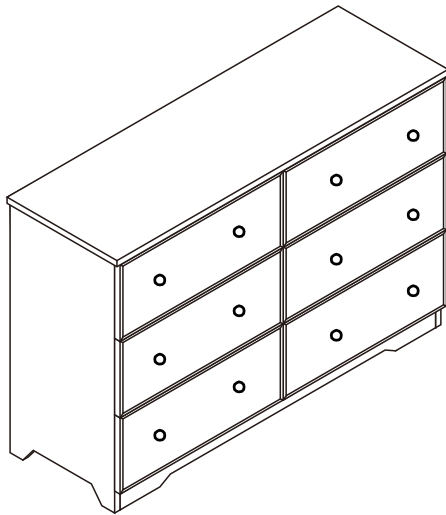



ASSEMBLY INSTRUCTIONS

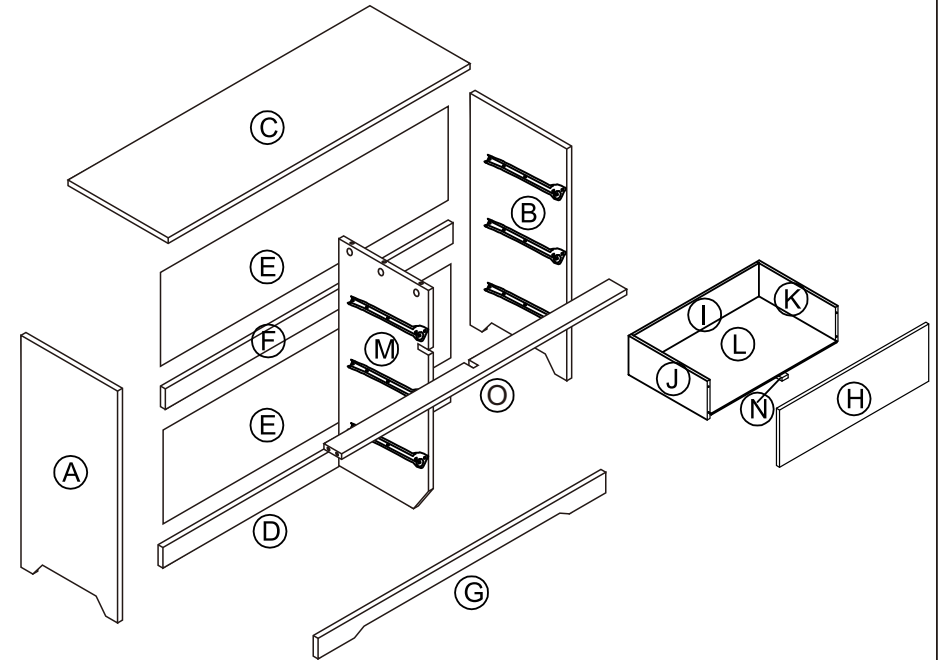
PINE DRESSER



①		Φ1/4" X 1.1/2"	x49
②		Φ1 X 0.43"	x49
③		Φ1/4" X 1.38"	x24
④ ⑥		KNOB AND SCREW	x12
⑤		Φ1/4" X 1.1/8"	x18
⑦		Φ1/8" X 1.1/2"	x2
⑧		SCREWDRIVER	x1
⑨		GLUE	x1
⑩		SNAP	x12
⑪		SCREW	x12
⑫		TIPPING RESTRAINT	x1

MADE IN CHINA

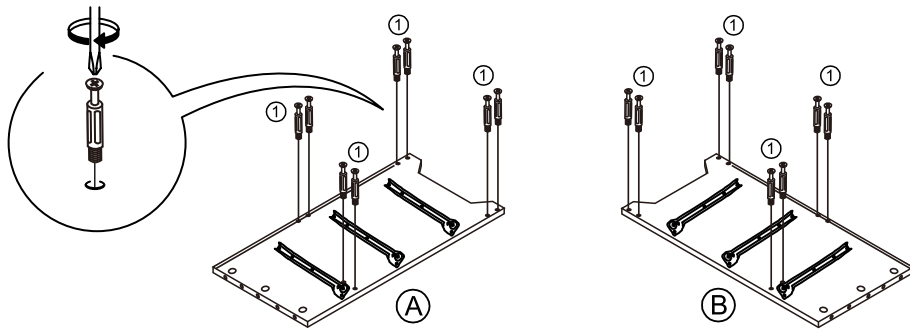
Page 1/8



Parts list		
A	Left side panel	1 pc
B	Right side panel	1 pc
C	Top panel	1 pc
D	Back kick plate	1 pc
E	Back panel	2 pcs
F	Center support	1 pc
G	Kick plate	1 pc
H	Drawer fronts	6 pcs
I	Drawer back panels	6 pcs
J	Left drawer side panels	6 pcs
K	Right drawer side panels	6 pcs
L	Drawer bottom panels	6 pcs
M	Middle side plate	1 pc
N	Drawer bottom support	6 pcs
O	Front support	1 pc

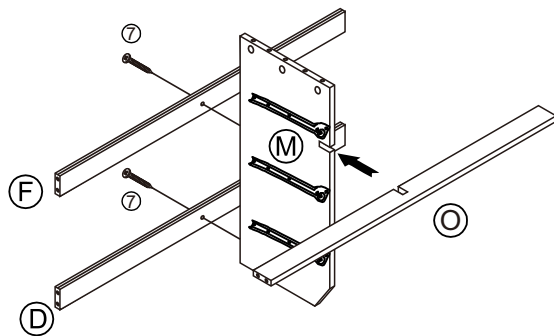
Page 2/8

STEP 1



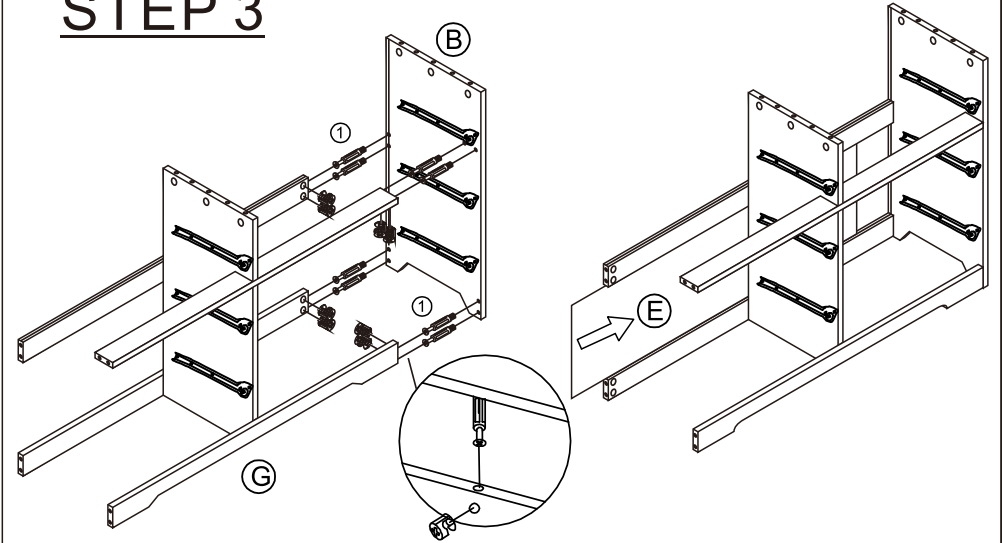
①		Φ1/4" X 1.1/2"	x16
---	---	----------------	-----



STEP 2



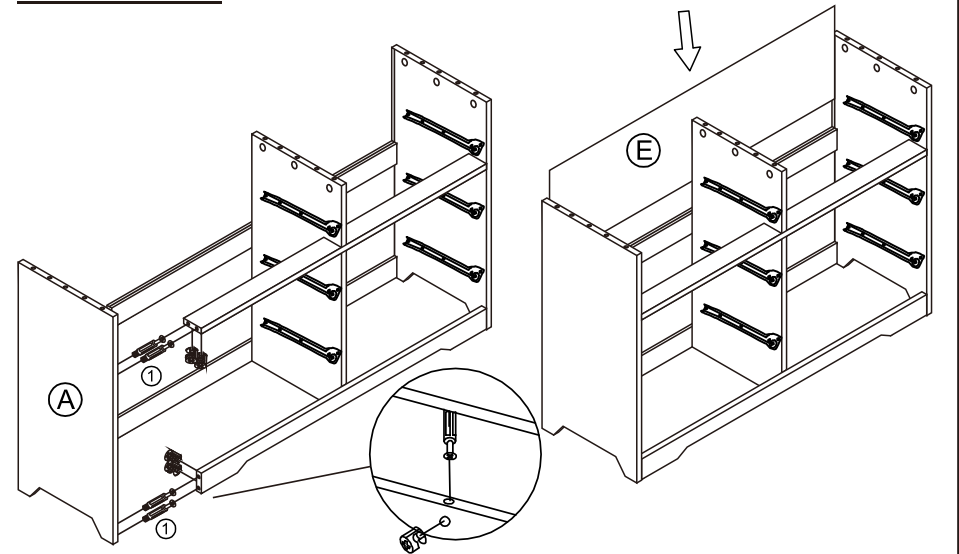
⑦		Φ1/8" X 1.1/2"	x2
---	---	----------------	----



STEP 3



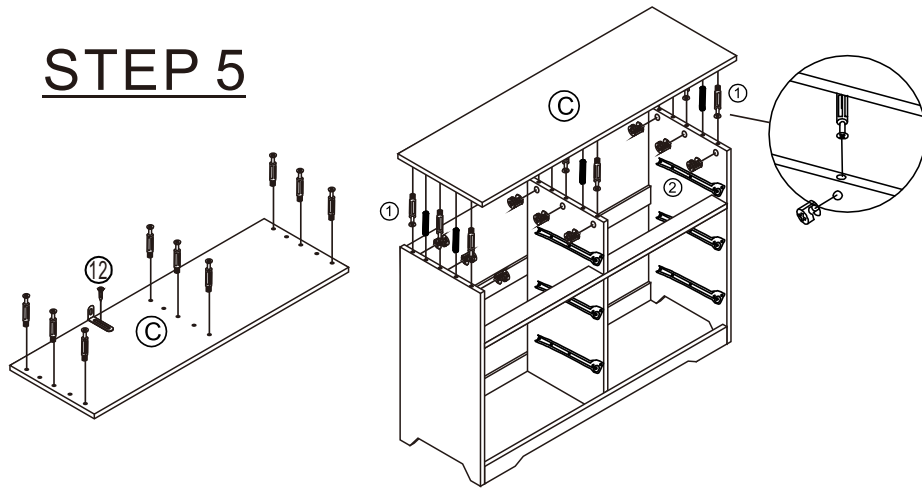
①		Φ1/4" X 1.1/2"	x8
②		Φ1 X 0.43"	x8





STEP 4



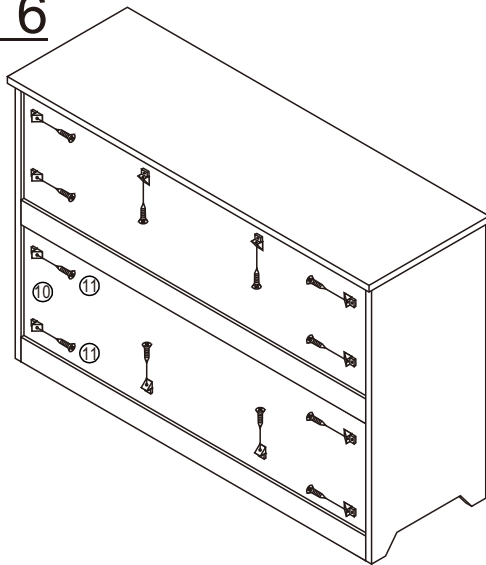
①		Φ1/4" X 1.1/2"	x8
②		Φ1 X 0.43"	x8



STEP 5



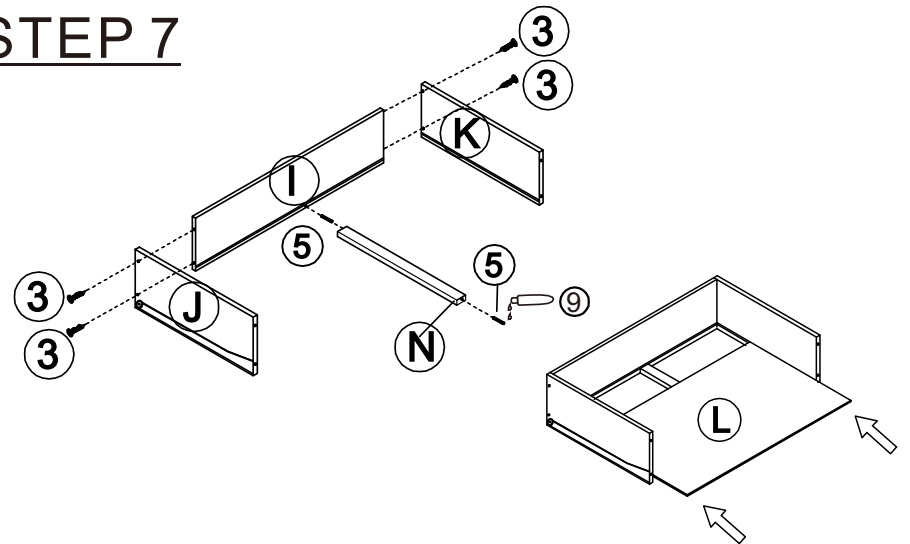
①		Φ1/4" X 1.1/2"	x9
②		Φ1X 0.43"	x9
⑤		Φ1/4" X 1.1/8"	x6
⑫		TIPPING RESTRAINT	x1




STEP 6



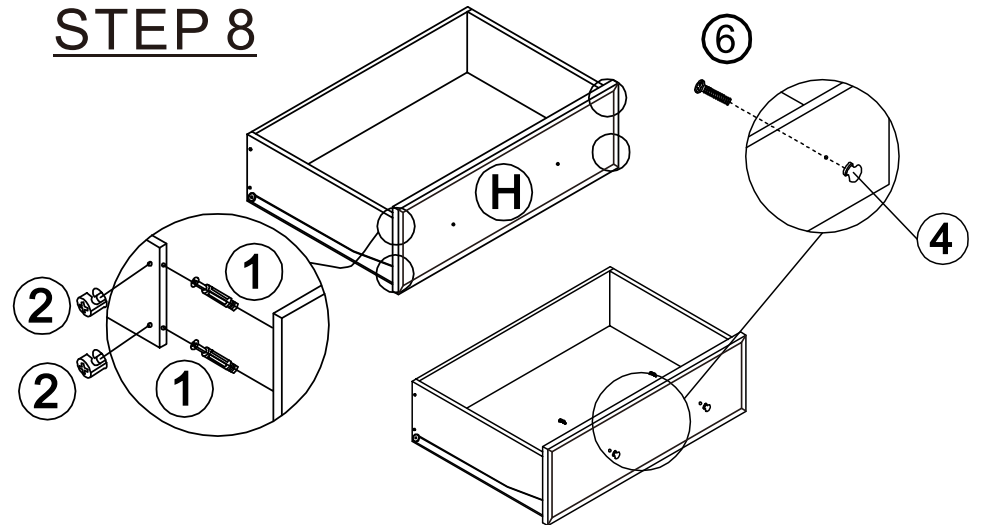
⑩		SNAP	x12
⑪		SCREW	x12

STEP 7



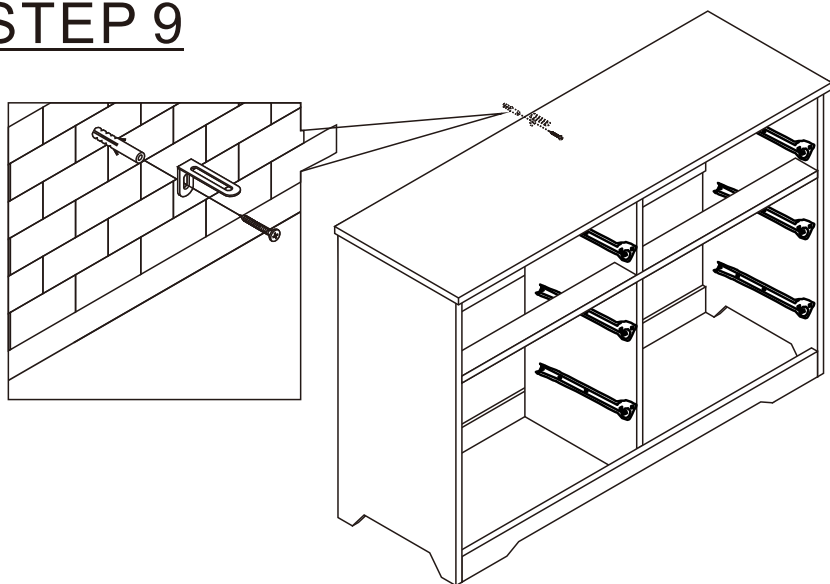
③		Φ1/4" X 1.38"	x4
⑤		Φ1/4" X 1.1/8"	x2
⑨		GLUE	x1

STEP 8



①		Φ1/4" X 1.1/2"	x4
②		Φ1X 0.43"	x4
④ ⑥		KNOB AND SCREW	x2

STEP 9



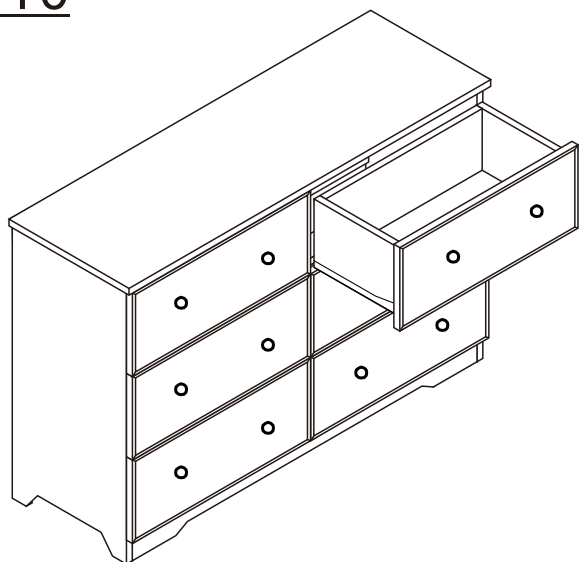
12



TIPPING RESTRAINT

x1

STEP 10



THANK YOU

We hope you enjoy your new purchase.

We have personally inspected this product.

In the event that you need any additional help for any reason,

Please do not hesitate to contact us

Thank you