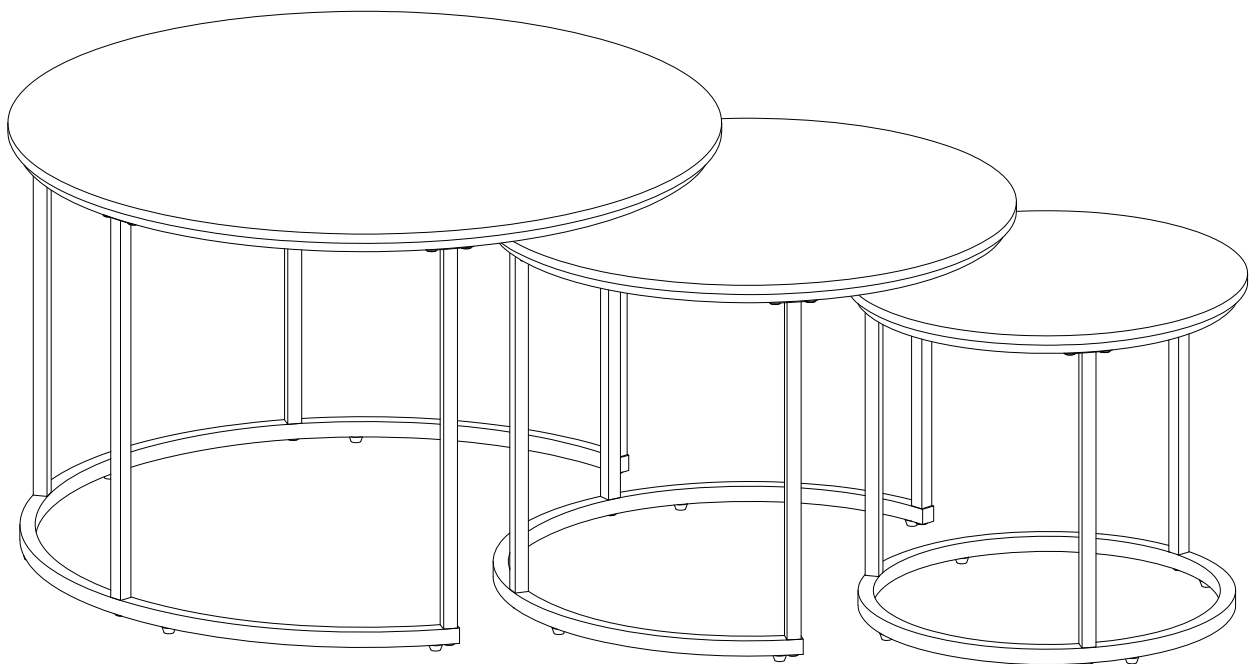
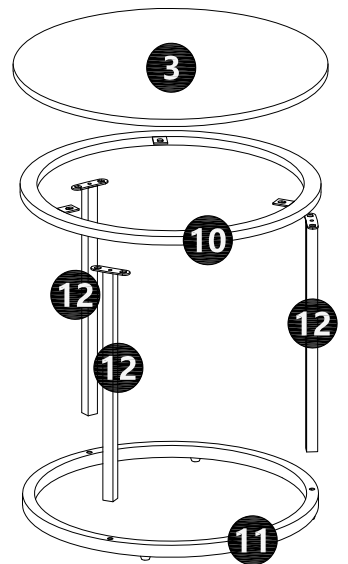
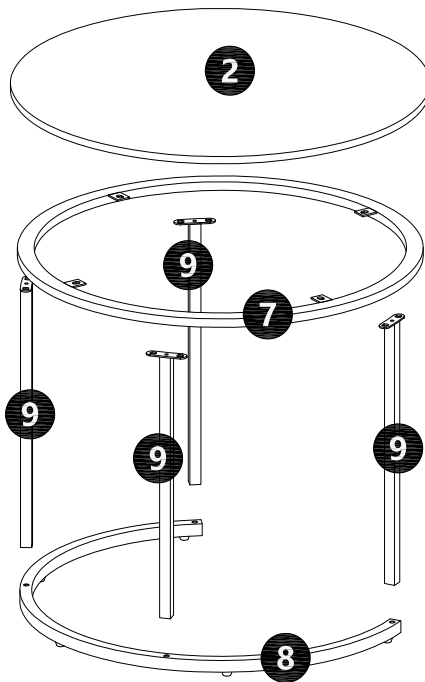
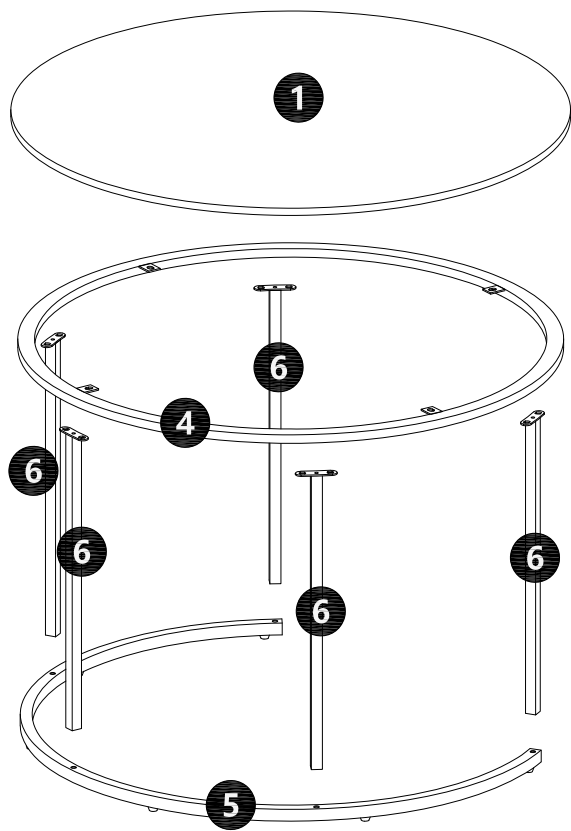
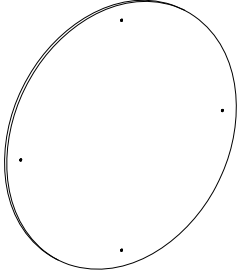
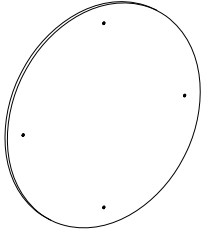
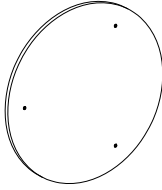
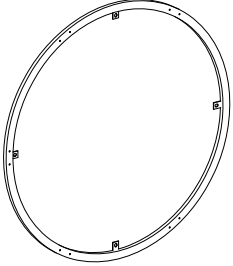
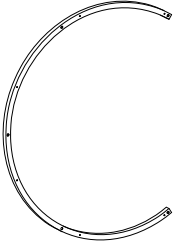

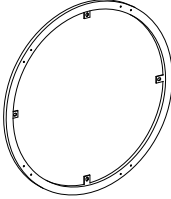
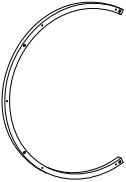

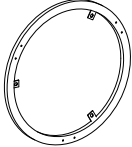
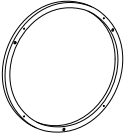

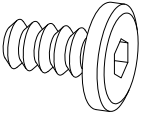
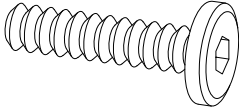
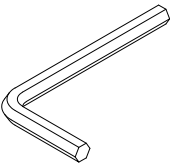


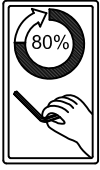
ASSEMBLY INSTRUCTIONS



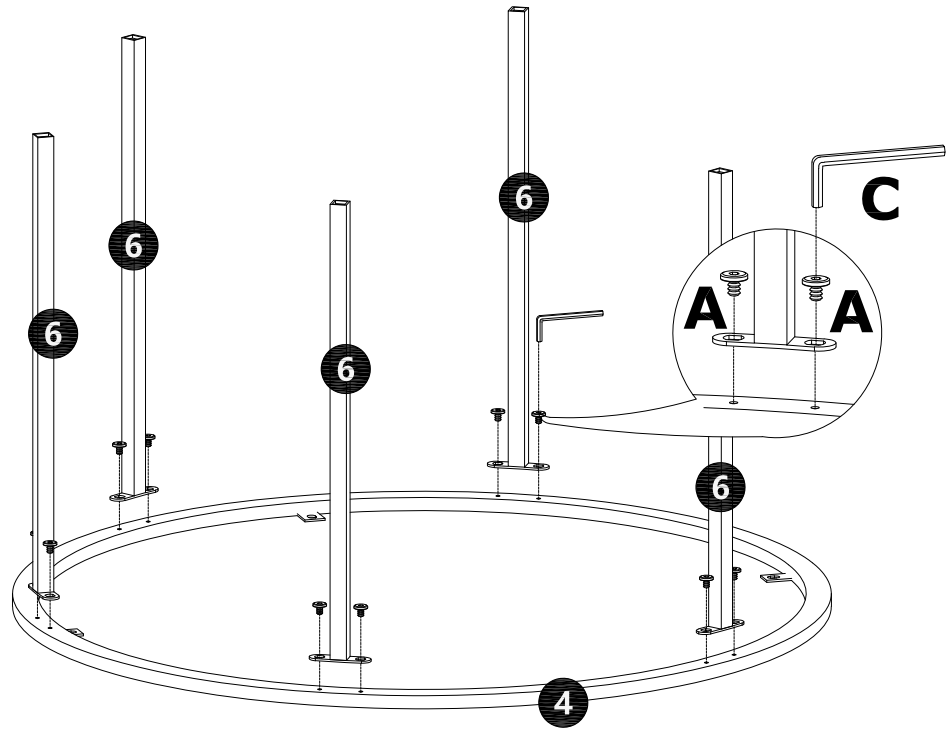


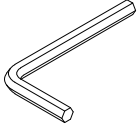
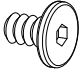
1	×1	2	×1	3	×1	4	×1
							
5	×1	6	×5	7	×1	8	×1
							
9	×4	10	×1	11	×1	12	×3
							
A		×35		B		×12	
							
M6x12mm				M6x40mm			
D		×1					
							
4mm							

1



Screw assembly progress

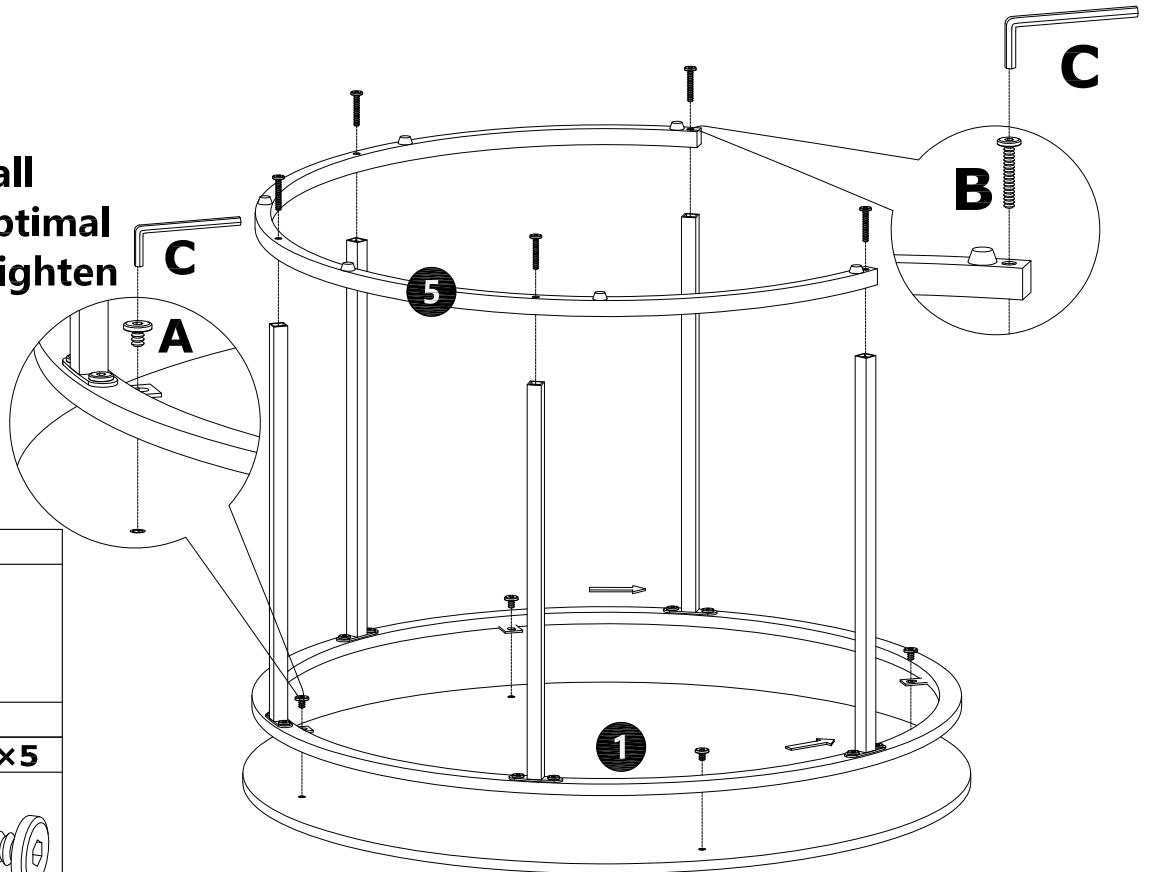


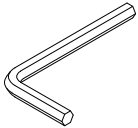
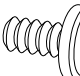
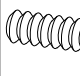
C	x1
	
4mm	
A	x10
	
M6x12mm	

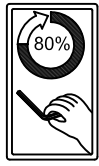
2



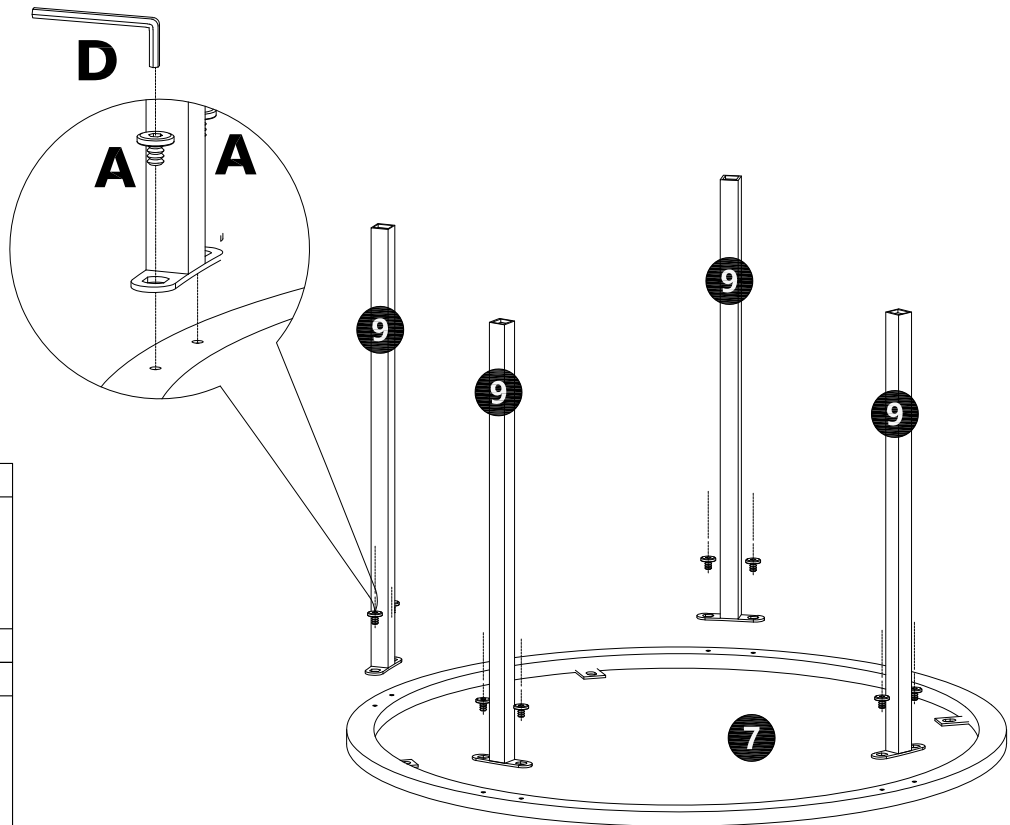
Please adjust all parts to the optimal position and tighten all screws

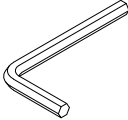



C	x1		
			
4mm			
A	x4	B	x5
			
M6x12mm		M6x40mm	

3

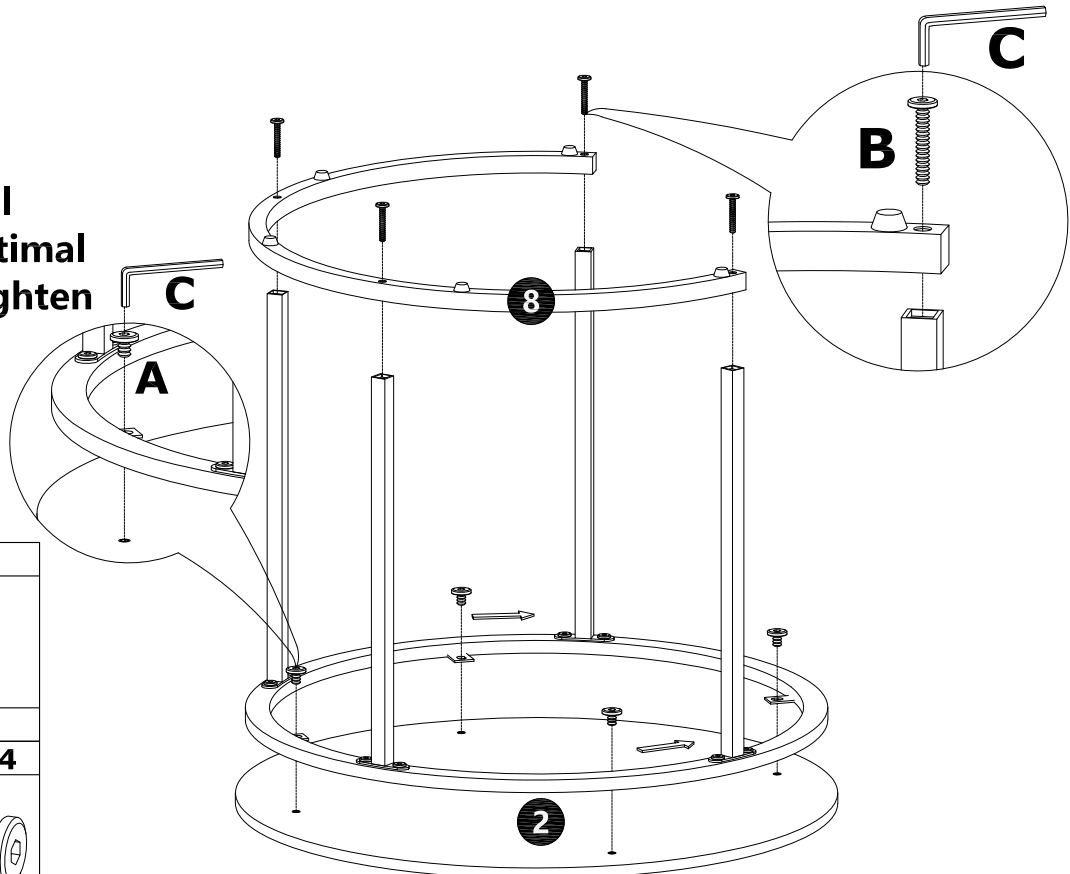
Screw assembly progress

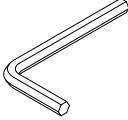
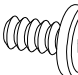
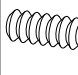


C	x1
	
4mm	
A	x8
	
M6x12mm	

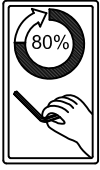
4

Please adjust all parts to the optimal position and tighten all screws

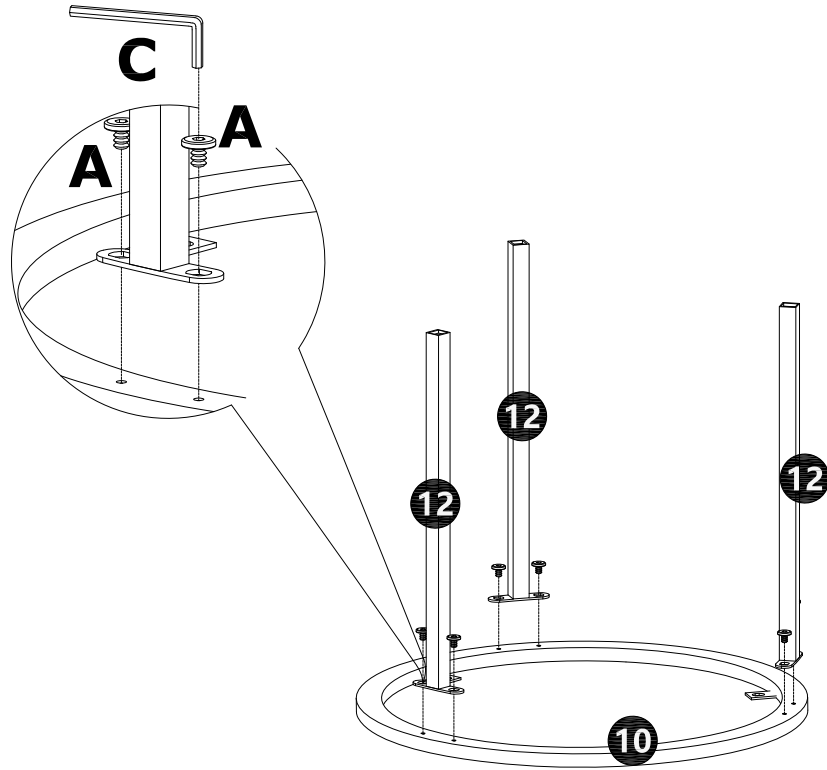


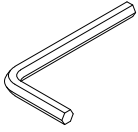

C	x1
	
4mm	
A	x4
	
B	x4
	
M6x12mm	M6x40mm

5



Screw assembly progress

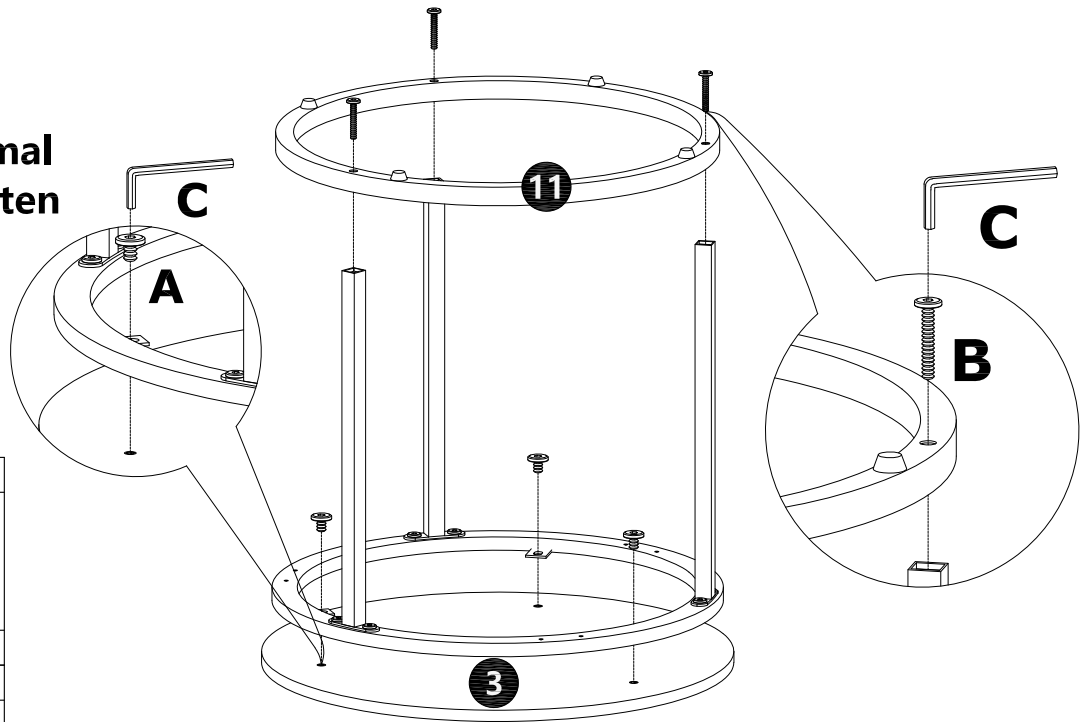


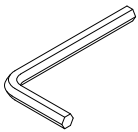
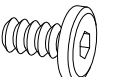
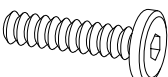
C	x1
	
4mm	
A	x6
	
M6x12mm	

6

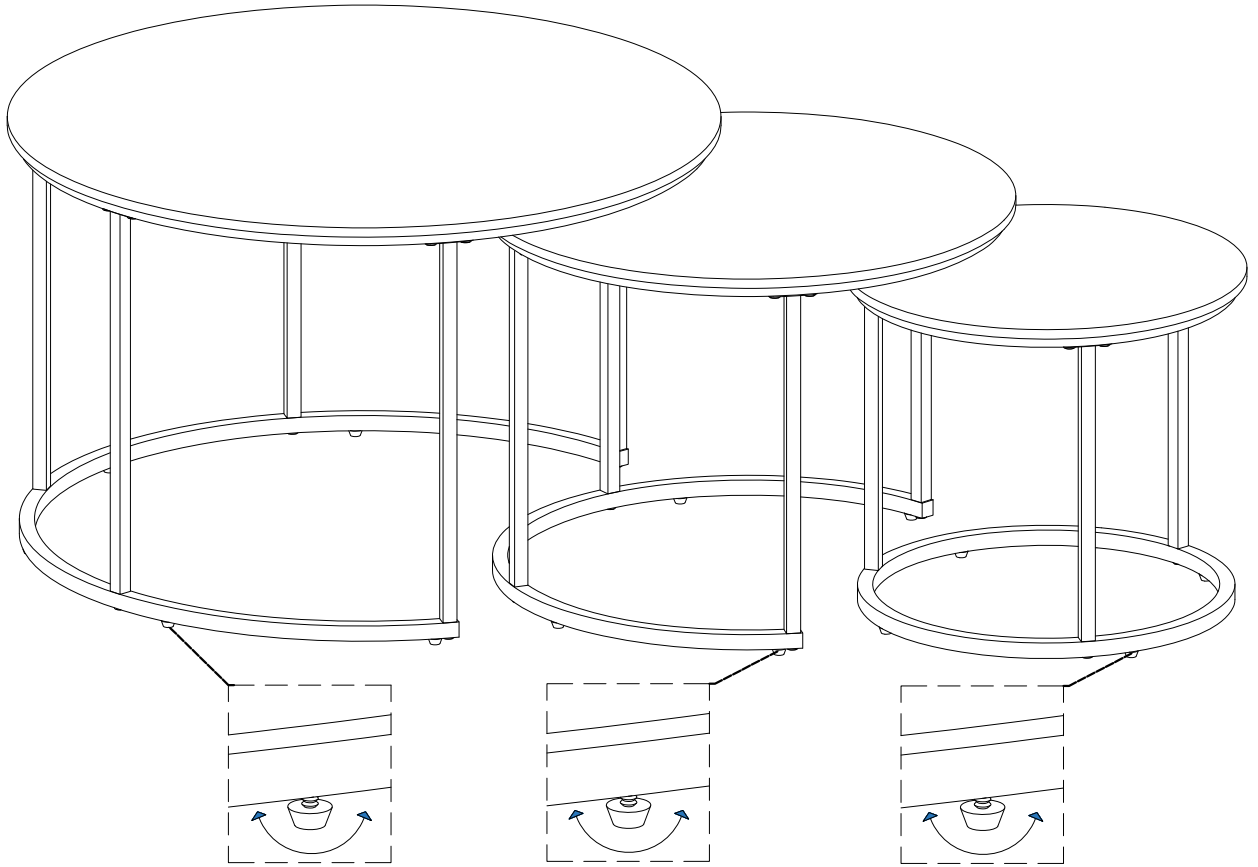


Please adjust all parts to the optimal position and tighten all screws



C	x1		
			
4mm			
A	x3	B	x3
			
M6x12mm		M6x40mm	

7



8

