

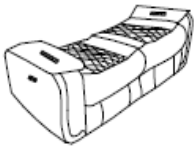
# Assembly Instructions

Your recliner comes packaged in **One** boxes. Carefully remove all of components from the packaging and set aside for assembly.

**CAUTION**  
DO NOT use any sharp objects to open plastic wrapped components as this may result damage to product or components .

## Package Contents

A\*1



B\*2



C\*1



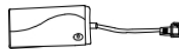
D\*1



E\*1



F\*1



G\*1



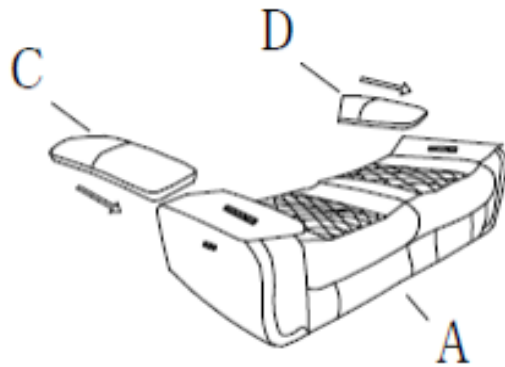
### STEP 1:

Unzip the zippers on both sides of the bottom of the sofa **Seat(A)** and take out **Armrest (C)** and **Armrest (D)**



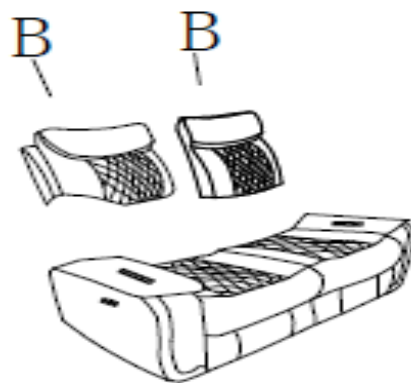
**STEP 2:**

Insert the pins of **Armrest (C)** and **Armrest (D)** into **Seat (A)** and verify it fits perfectly. **(Need to confirm that it is firm before use)**

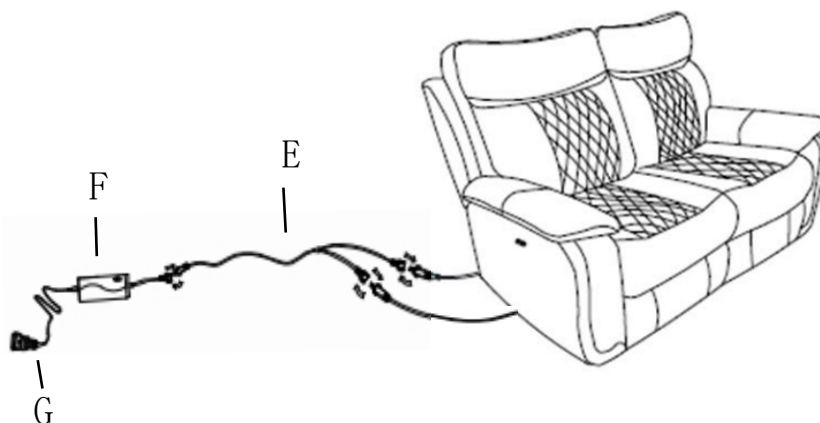


**STEP 3:**

Insert the pin of the **Backrest (B)** into the socket of the **Seat (A)** and confirm that it is an exact fit. **(Need to confirm that it is firm before use)**



Connect the power cord attached to the seat to the power converter, and then connect the plug to the outlet. **(Make sure your hands are dry during the power connection)**



## Warnings

1. Please check if the components of the chair are all included and can be used normally.
2. Assemble all components according to the instruction correctly before you connect the chair to the power.
3. Please DO NOT sit on the armrests or footrest to eliminate the risk of tipping over.
4. If the chair is damaged or doesn't match the website description, please send clear pictures of the product and label of the carton to our service team for further help.
5. If the recliner doesn't work, you may try the following measures for self-checking firstly:
  - a) Check if all the cables are connected;
  - b) Check if the light of transformer is on.

If the chair still doesn't work, please feed the information back to our customer service in time and we'll help you solve the matter as soon as possible.

