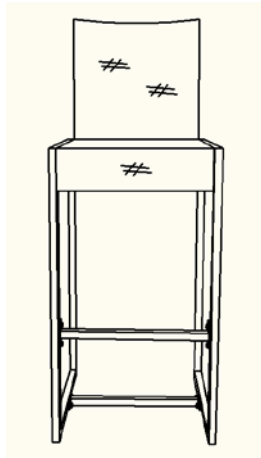


Assembly Instructions

Caution : You must read this before you proceed






Barstool



Parts List

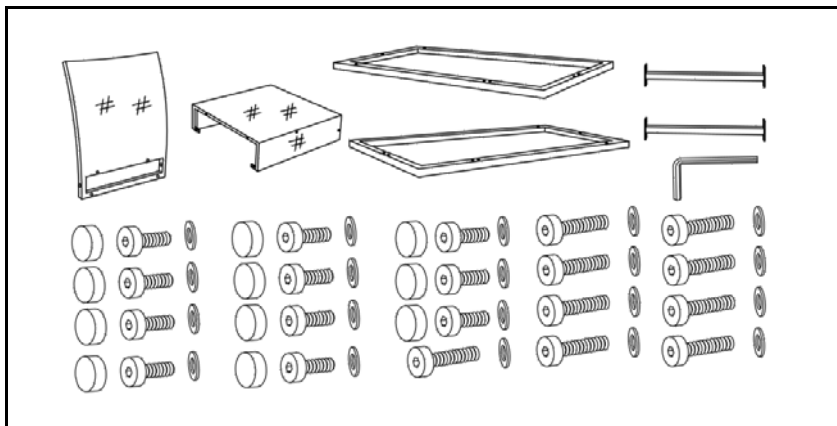
Label	Picture	Description	QTY
A		Backrest	1
B		Right Leg	1
C		Left Leg	1
D		Seat Panel	1
E		Footrest	2






Hardware

Label	Picture	Description	QTY
①		Allen Key	1
②		Bolt (M6*35)	9
③		Bolt (M6*16)	11
④		Bolt Cap	9
⑤		Washer	20

Assembly Preparation

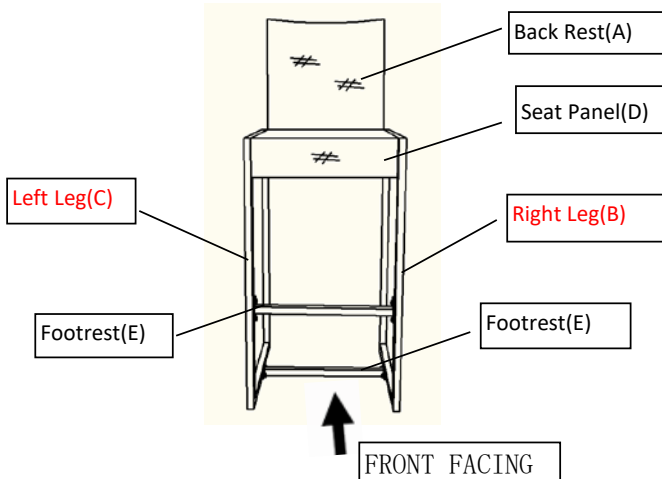
Before Beginning Assembly:



-  • Read instructions, cover to cover-
-  • Have 2 adults on hand for assembly-
-  • Do not assemble on flooring or carpet-
-  • Assemble on a clean non-marring surface (packing foam)-
-  • Save all packaging until finished-

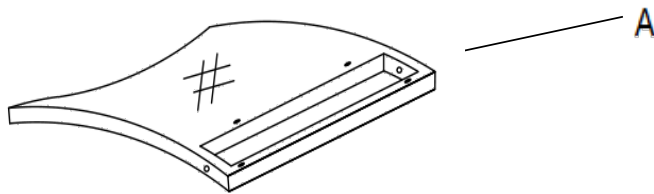
Assembly Steps

Overview



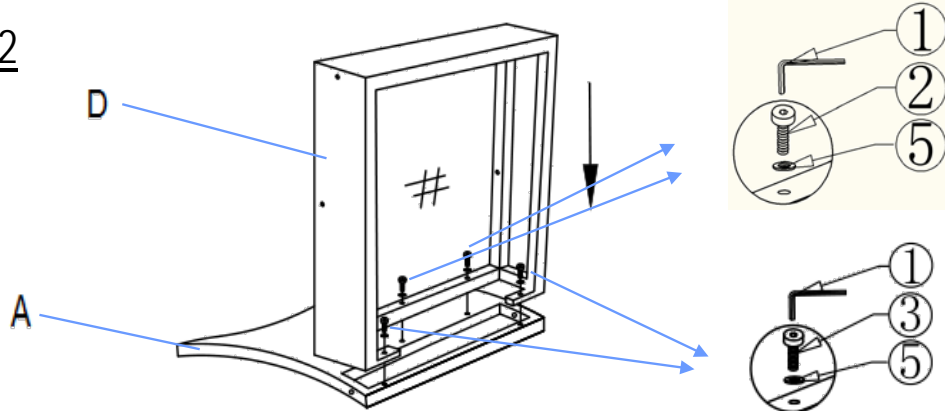
This Barstool has multiple parts and may require up to 30 minutes to assemble. To give you an overview of the Barstool parts, the above picture is to help you put the various parts into perspective. Please read through the instructions below to familiarise yourself with the parts and steps before assembly.

Step 1



Open the carton and place all the parts onto a clean, non-marring surface.
Place Backrest(A) on the ground, as shown in picture above.

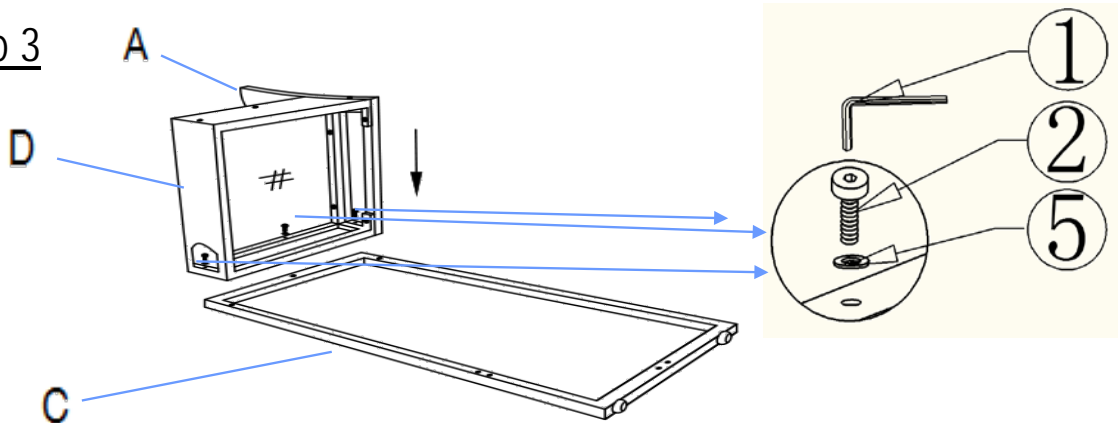
Step 2



Attach Seat Panel(D) to Backrest(A) using Bolts(2) and Washers(5) with Allen Key(1), then using Bolts(3) and Washers(5) with Allen Key(1).

Do not fully tighten the Bolts.

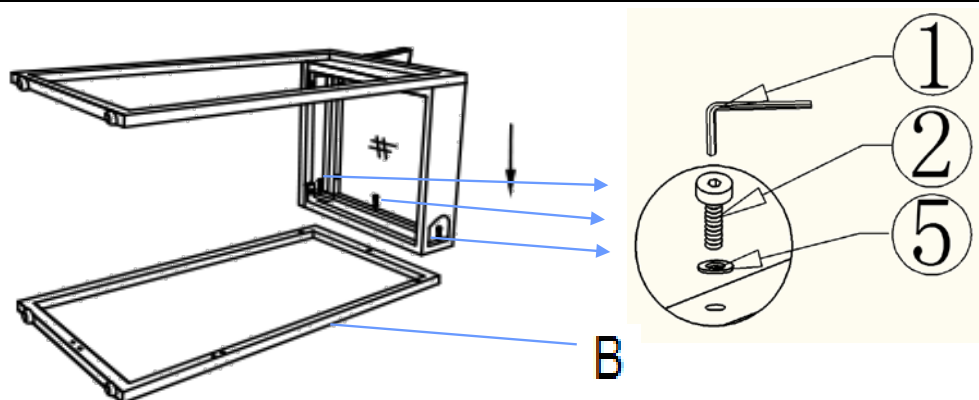
Step 3



Attach **Left Leg(C)** to Backrest(A) and Seat Panel(D) using Bolts(2) and Washers(5) with Allen Key(1).

Do not fully tighten the Bolts.

Step 4

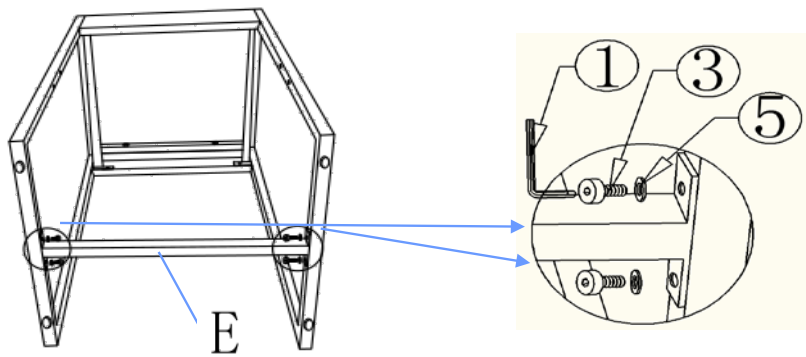


Turn the partially assembled chair 180°.

Attach **Right Leg(B)** to Backrest(A) and Seat Panel(D) using Bolts(2) and Washers(5) with Allen Key(1).

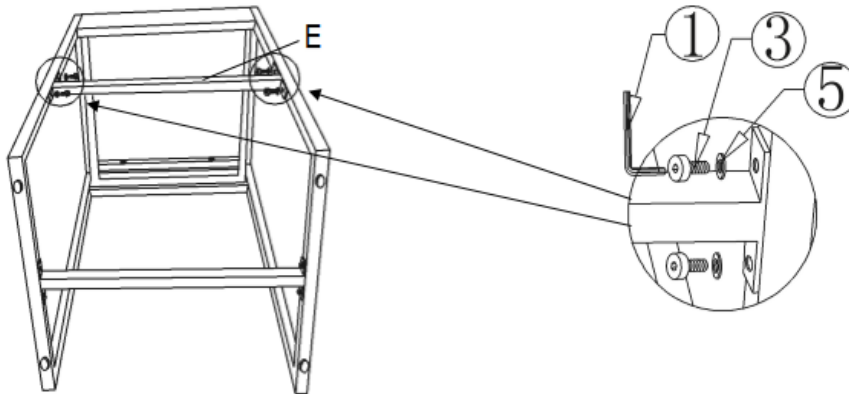
Do not fully tighten the Bolts.

Step 5



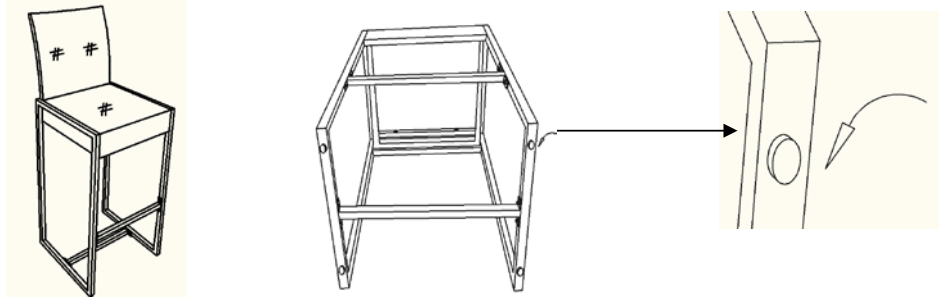
Attach Footrest (E) between the Legs using Bolts(3) and Washers(5) with Allen Key(1).
Do not fully tighten the Bolts.

Step 6



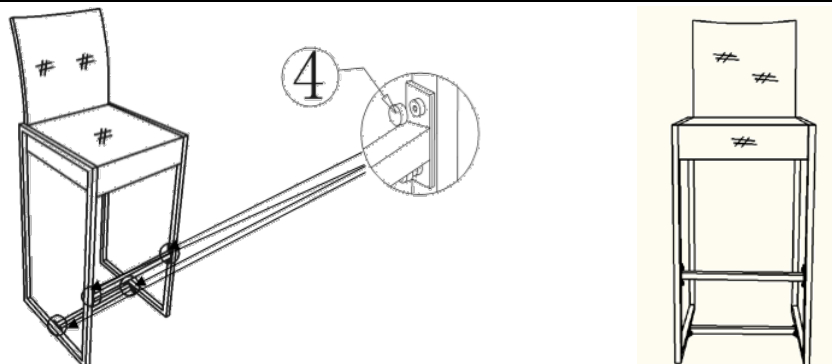
Attach Footrest (E) between the Legs using Bolts(3) and Washers(5) with Allen Key(1).
Do not fully tighten the Bolts.

Step 7



Place the Barstool on a **LEVEL SURFACE** to check for wobbles.
If it wobbles, adjust the Legs Pre-installed Levellers until the Barstool is level with the ground.
Adjust the levellers to the desired height to avoid wobbles.
When the Barstool is level proceed to tighten all Bolts at all joints.
When tightening the Bolts, tighten sequentially.
DO NOT tighten any Bolt fully and then move on to the next one.
This would cause the frame to warp.
If the Barstool is not stable it could lead to damage to the product.











Step 8



Add the Bolt Caps(I) on the eight Bolts(4) as shown in the picture above.
Your Barstool is ready for use.

This Barstool can only be used on a flat, level surface.

Care & Maintenance

-  ● Do not put hot items directly on furniture surface
 -  ● Do not clean furniture with harsh cleansers or polish.
 -  ● To obtain the longest lifespan of your outdoor products, minimizing exposure to direct sunlight is recommended.
 -  ● Children should not climb or jump on the furniture.
 -  ● Do not write on furniture without a padded barrier to protect the surface.
 -  ● To obtain the longest lifespan of your outdoor products, avoid extended and lengthy exposure to rain, snow, and direct sunshine. Whenever possible cover the product and /or place under patio or awnings.
 -  ● Not for commercial use. For residential use only .
 -  ● Stains may be removed with mild soap solution and damp cloth.
 -  ● Keep away from sources of ignition.
-
-  ● Dust and pick-up spills using a clean, non-colored, lint-free cloth.