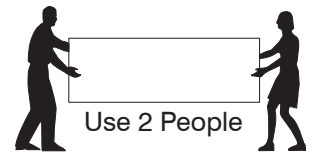
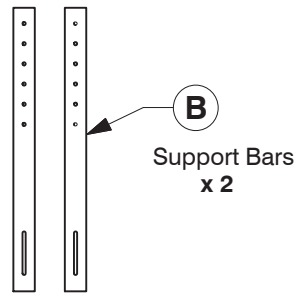
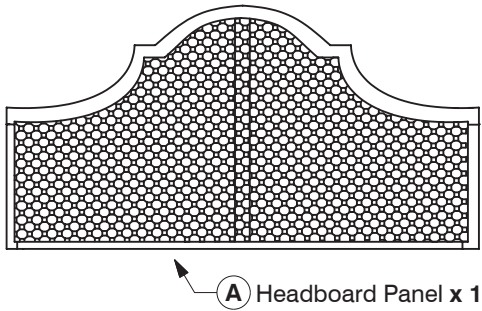


# 9780-1 Full / Queen Headboard

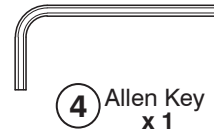
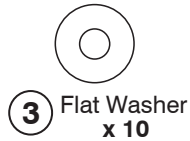
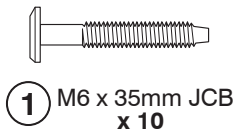
Assembly Instructions

WI-0622

## 1 Parts List

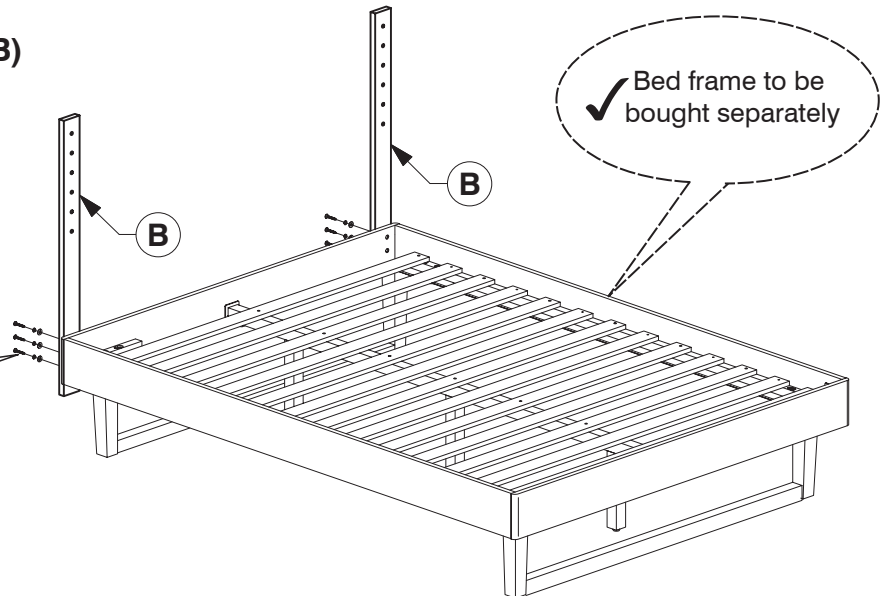
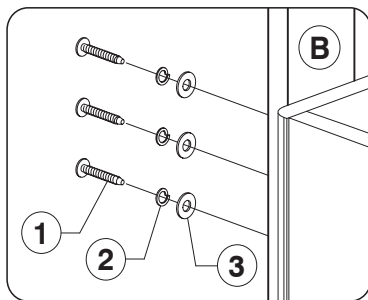


## 2 Hardware List

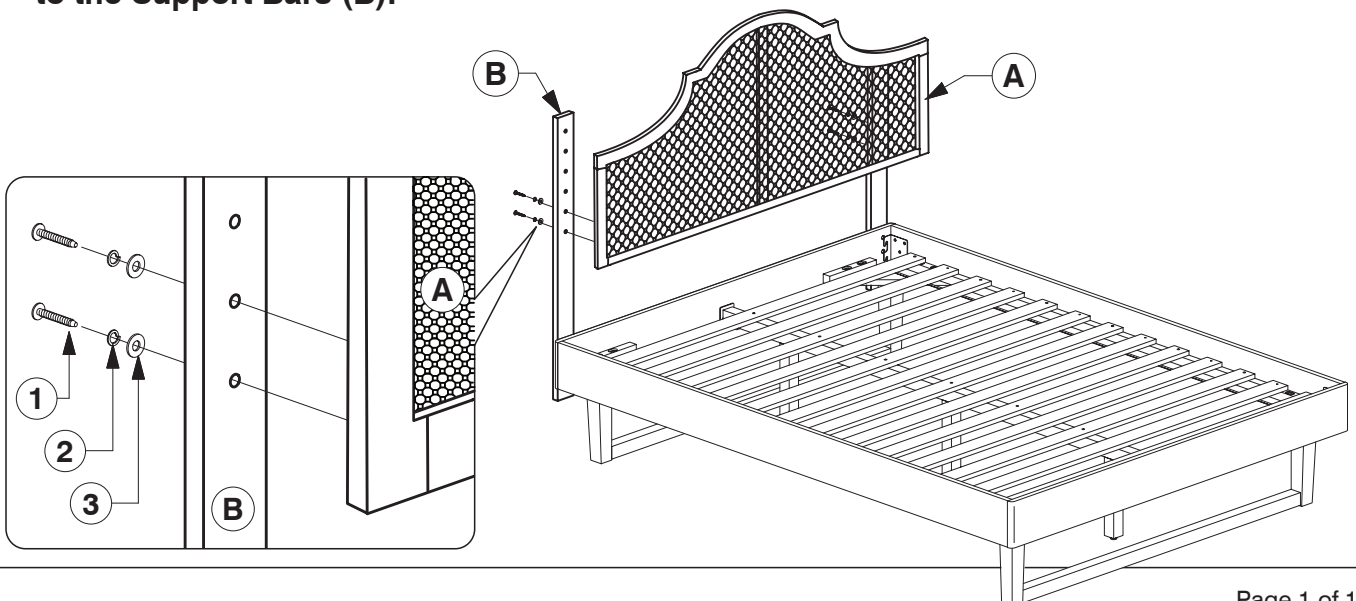


Note: Do not assemble using power tools. This can cause the bolts to be overtightened

## 3 Assemble the Support Bars (B) to the Headboard Panel (A) to the Headboard Panel.



## 4 Assemble the Headboard Panel (A) to the Support Bars (B).

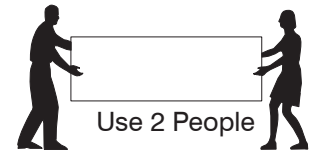
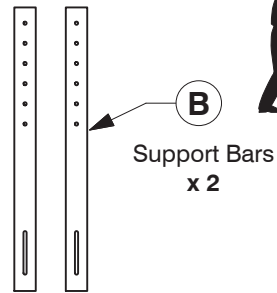
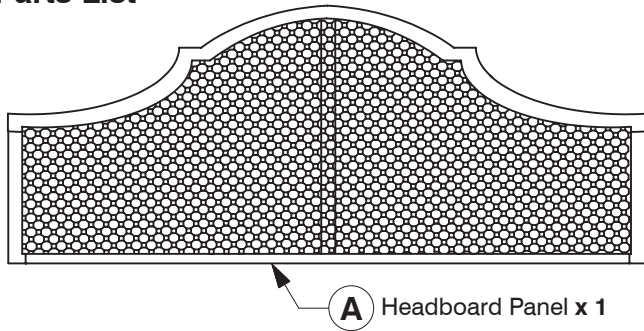


# 9780-1 King Headboard

Assembly Instructions

WI-0622

## 1 Parts List



**Note:** Do not assemble using power tools. This can cause the bolts to be overtightened

## 2 Hardware List



1 M6 X 35mm JCB x 10



2 Spring Washer x 10

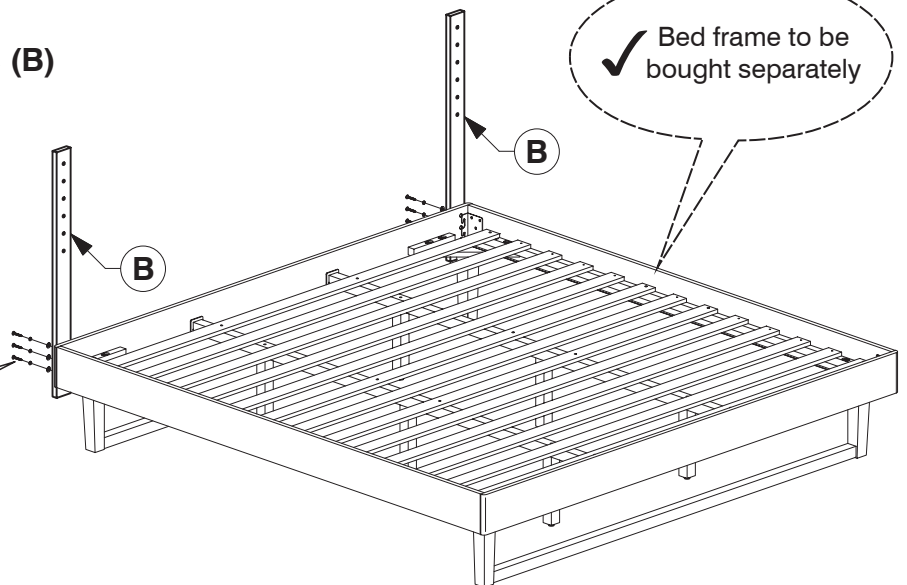
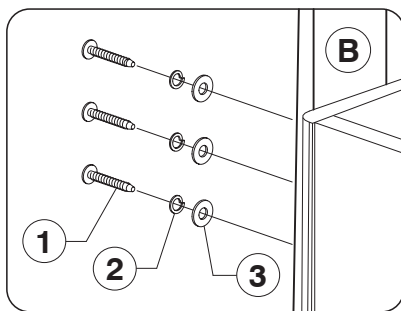


3 Flat Washer x 10

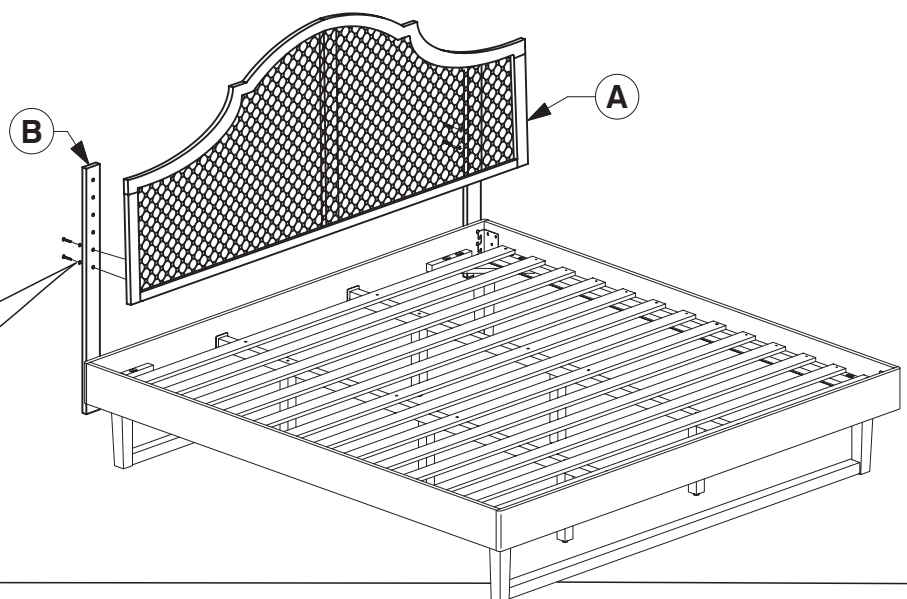
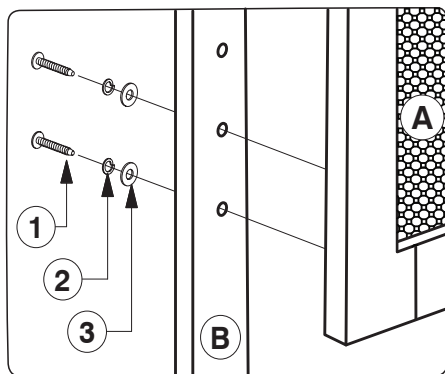


4 Allen Key x 1

## 3 Assemble the Support Bars (B) to the Headboard Panel.



## 4 Assemble the Headboard Panel (A) to the Support Bars (B).

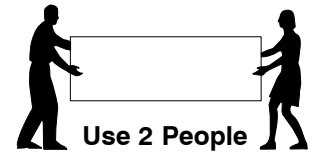
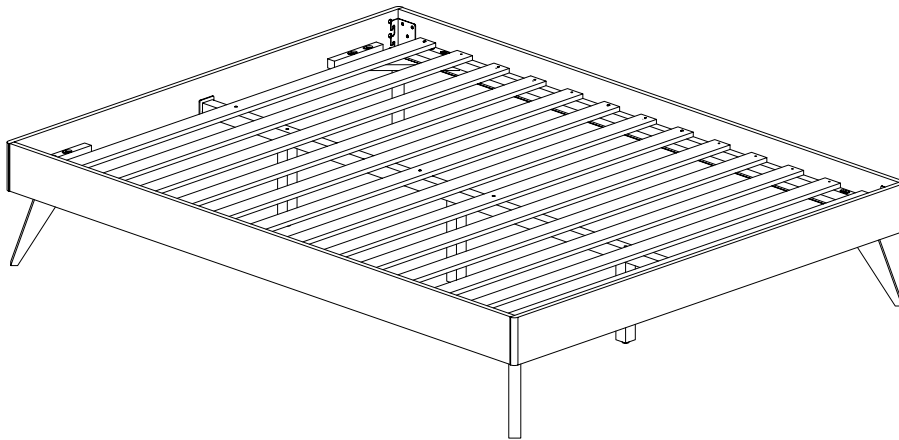


# Queen Bed

## Assembly Instructions

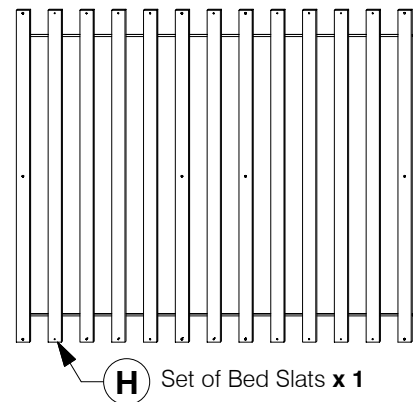
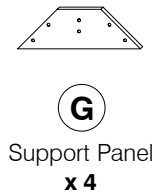
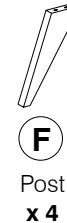
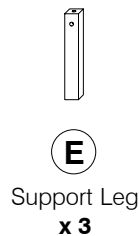
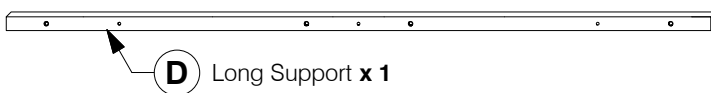
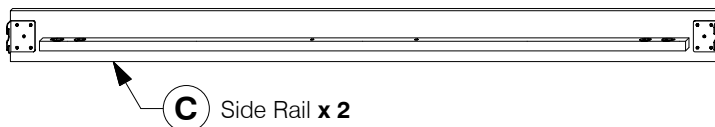
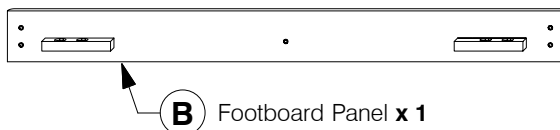
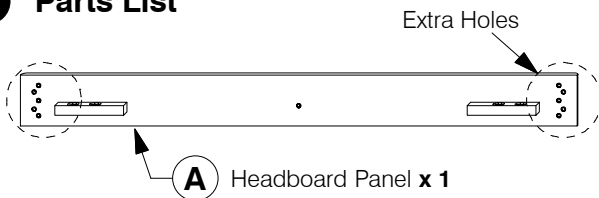
0818

### 1 Assembled View

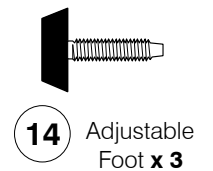
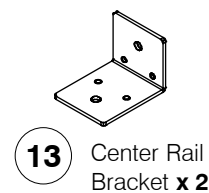
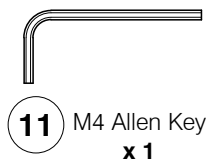
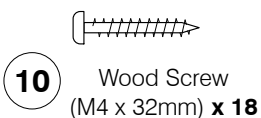
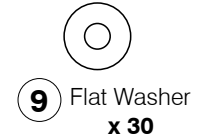
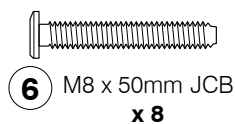
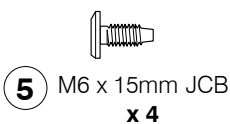
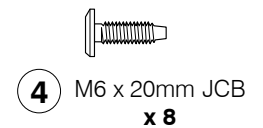
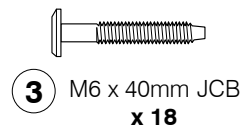
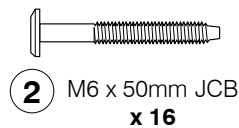
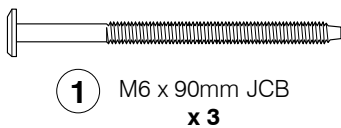


**Note:** Do not assemble using power tools. This can cause the bolts to be overtightened

### 2 Parts List



### 3 Hardware List

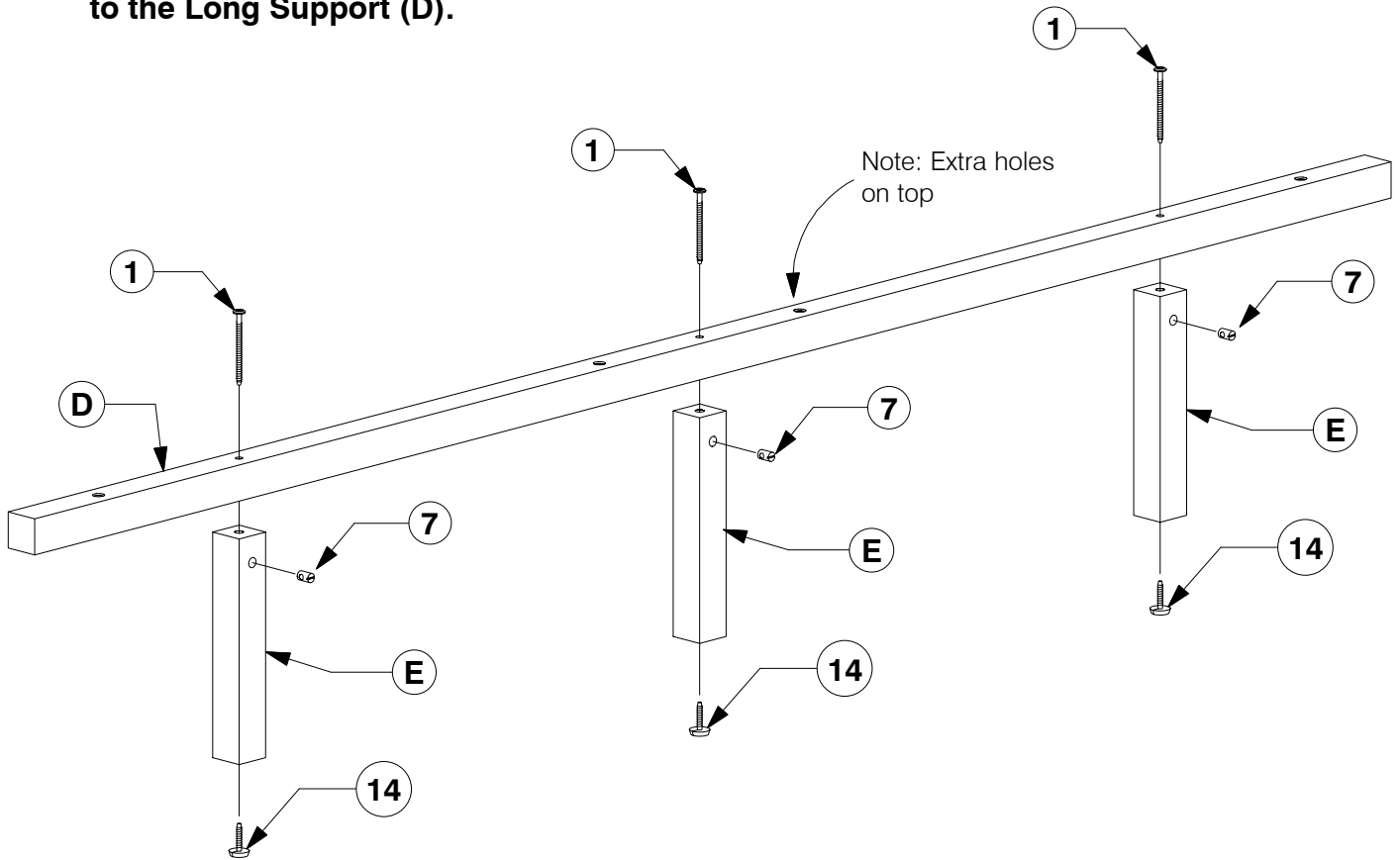


# Queen Bed

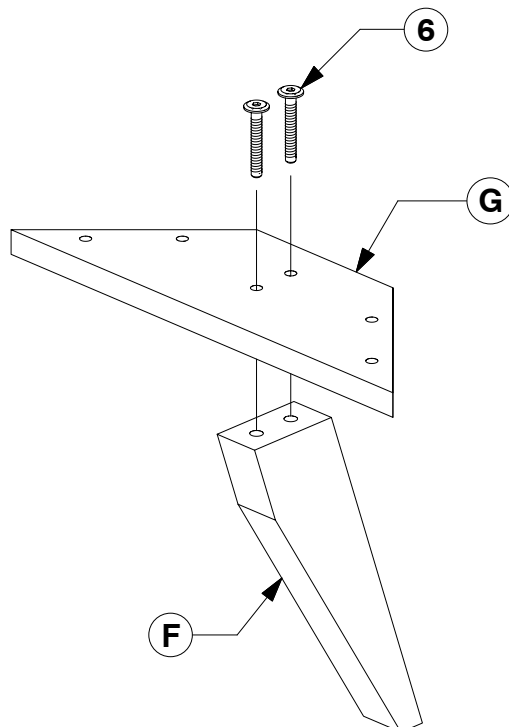
## Assembly Instructions

0818

- 4** Assembled the Support Leg (E) to the Long Support (D).



- 5** Fit the Post (F) to the Support Panel (G).

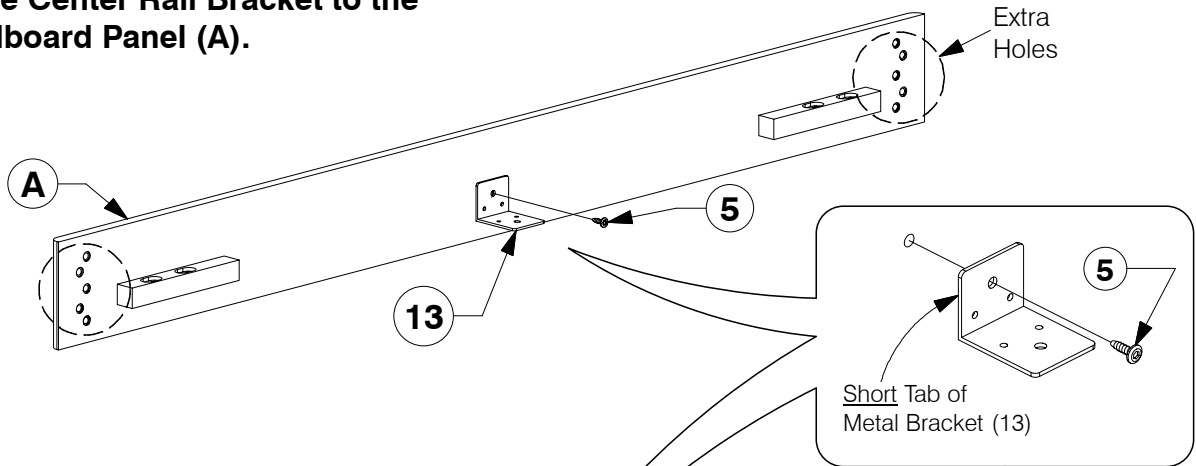


# Queen Bed

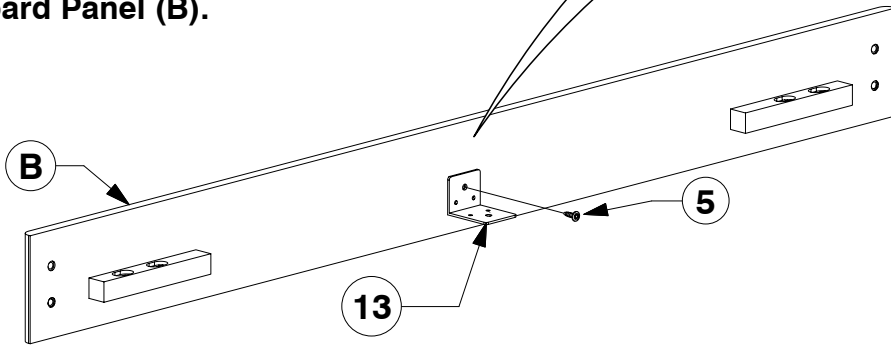
## Assembly Instructions

0818

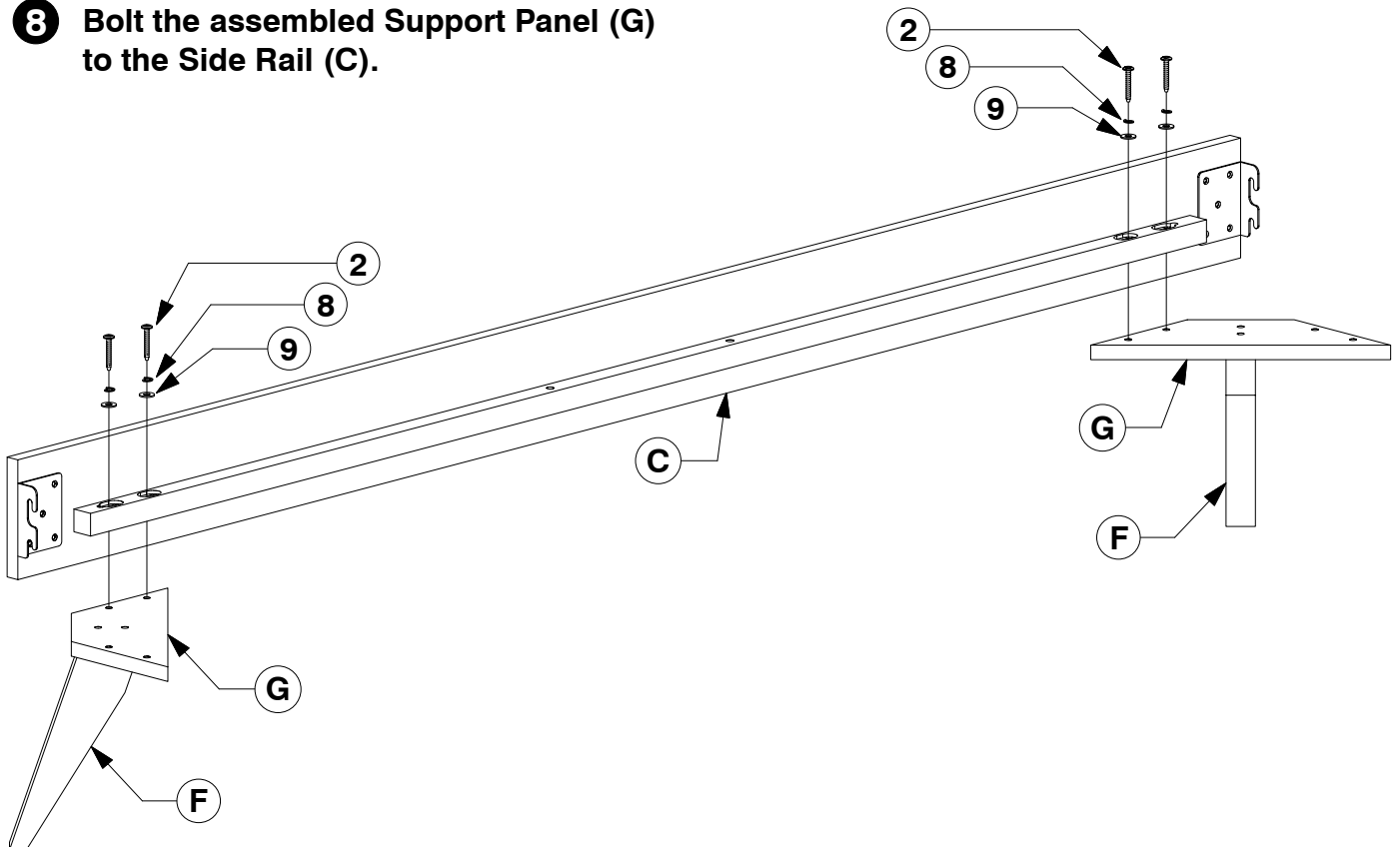
- 6** Fit the Center Rail Bracket to the Headboard Panel (A).



- 7** Fit the Center Rail Bracket to the Footboard Panel (B).



- 8** Bolt the assembled Support Panel (G) to the Side Rail (C).

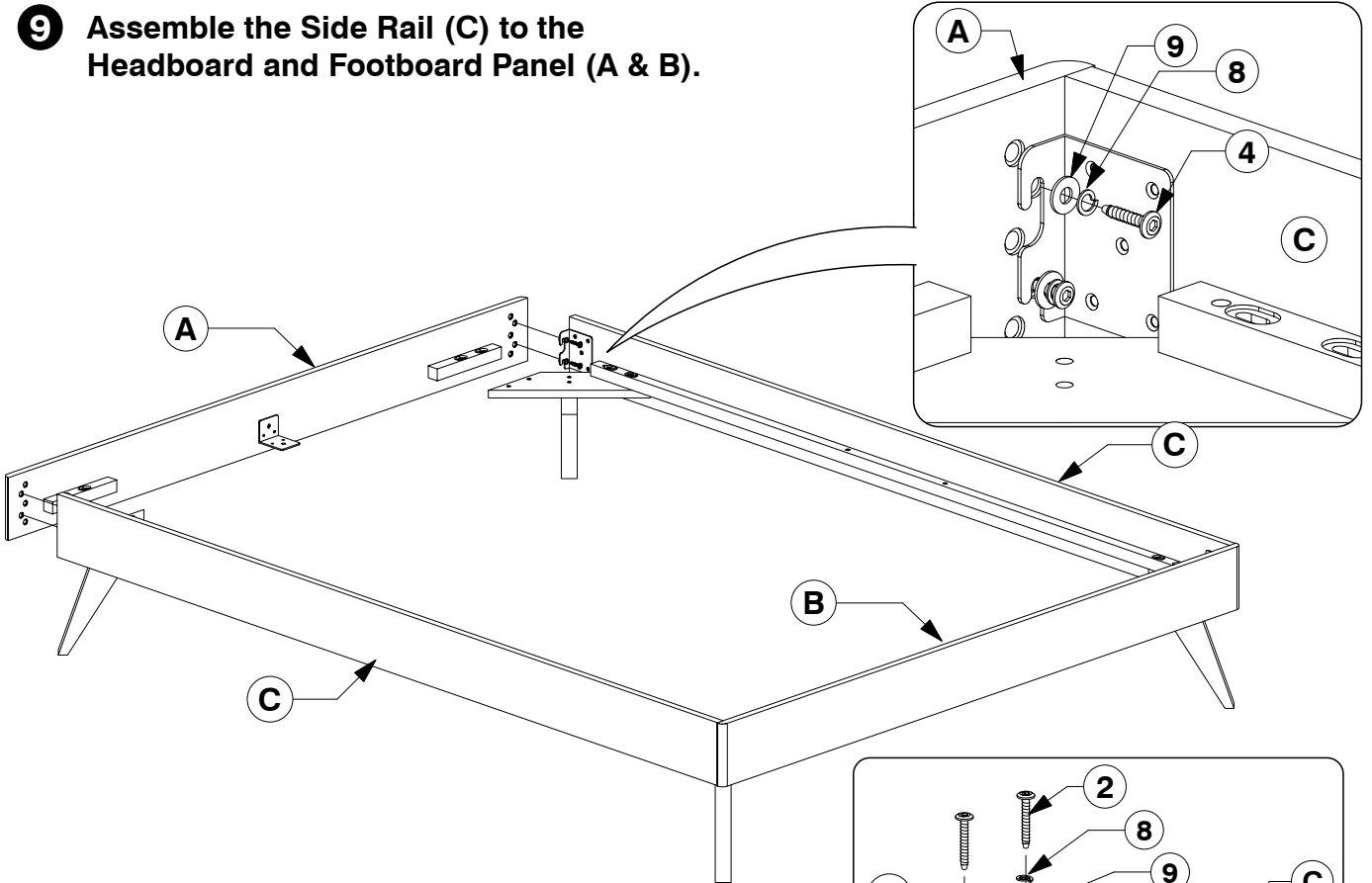


# Queen Bed

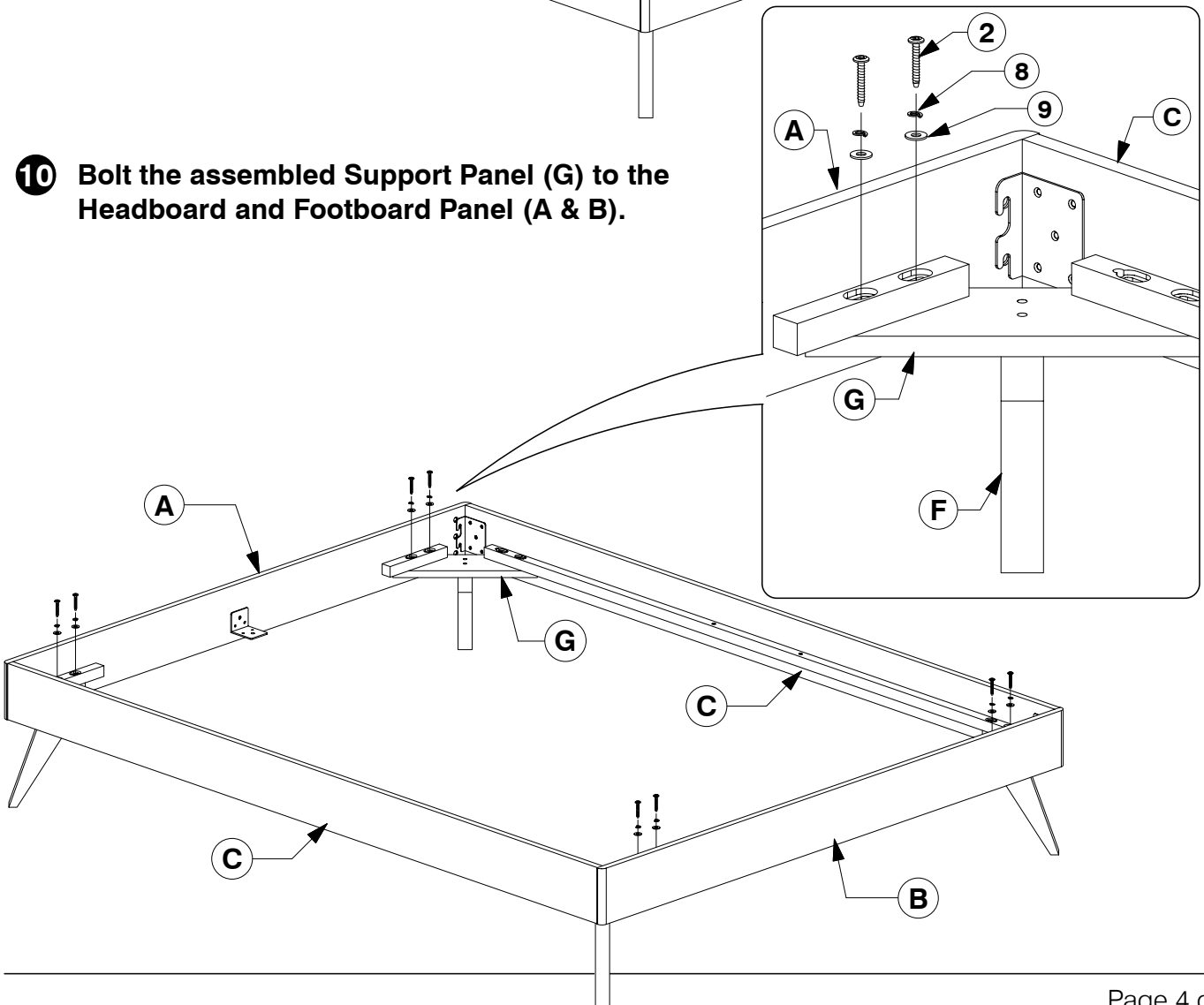
## Assembly Instructions

0818

- 9 Assemble the Side Rail (C) to the Headboard and Footboard Panel (A & B).**



- 10 Bolt the assembled Support Panel (G) to the Headboard and Footboard Panel (A & B).**

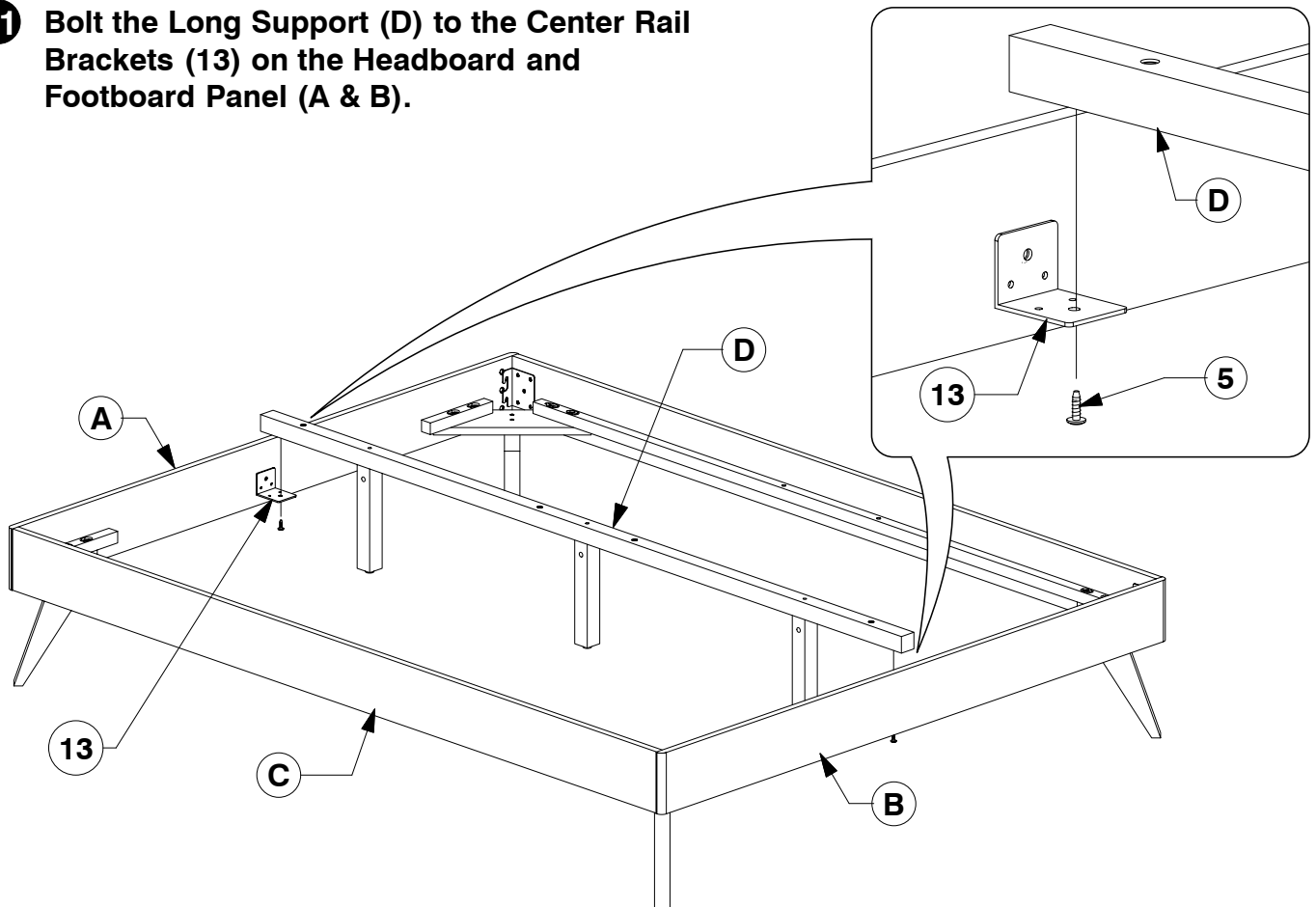


# Queen Bed

## Assembly Instructions

0818

- 11** Bolt the Long Support (D) to the Center Rail Brackets (13) on the Headboard and Footboard Panel (A & B).



- 12** Bolt & screw the Bed Slats (H) to the Side Rail (C).

