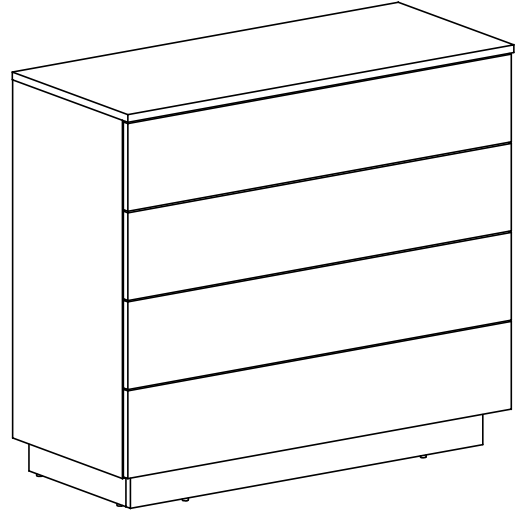
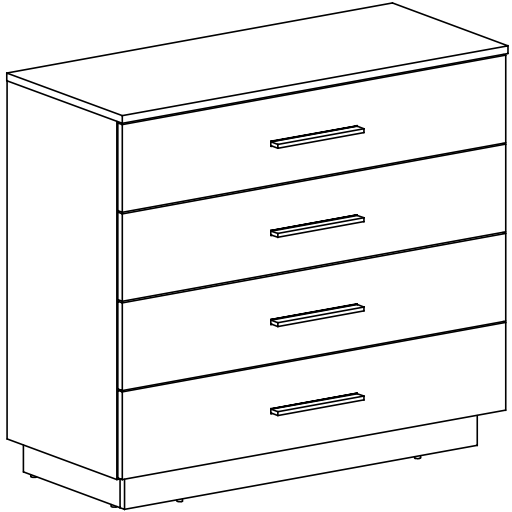
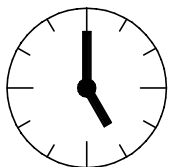
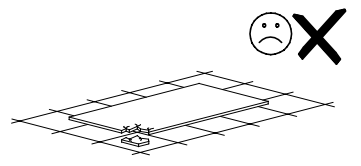
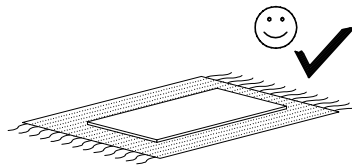
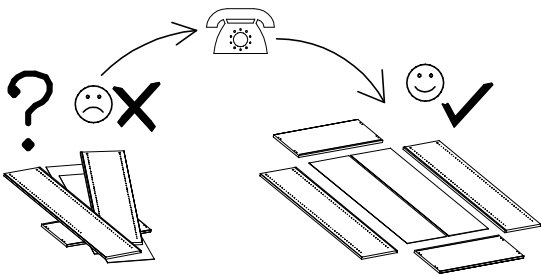
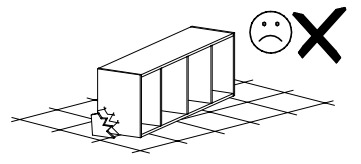
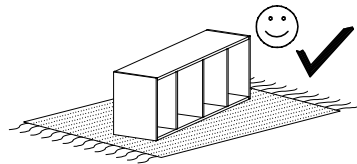
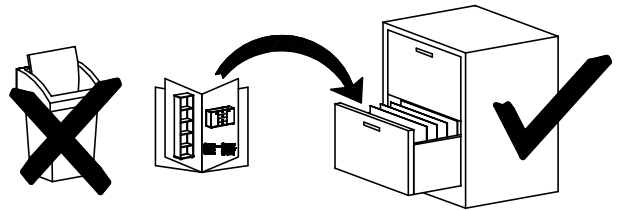
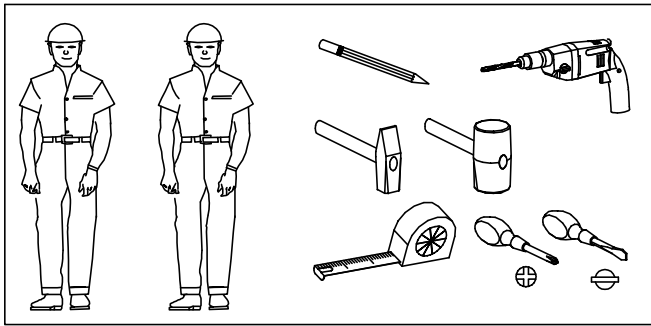


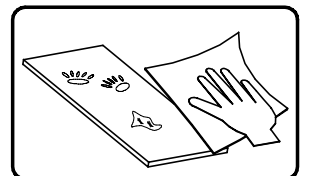
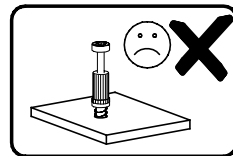
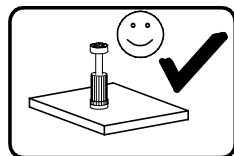
# LINA 95

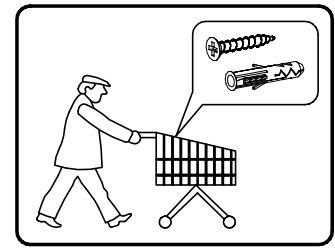
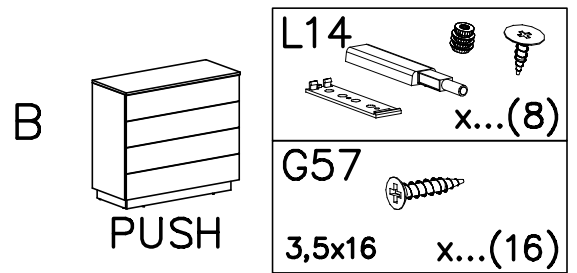
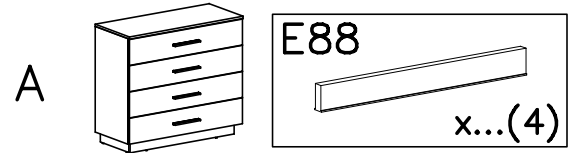
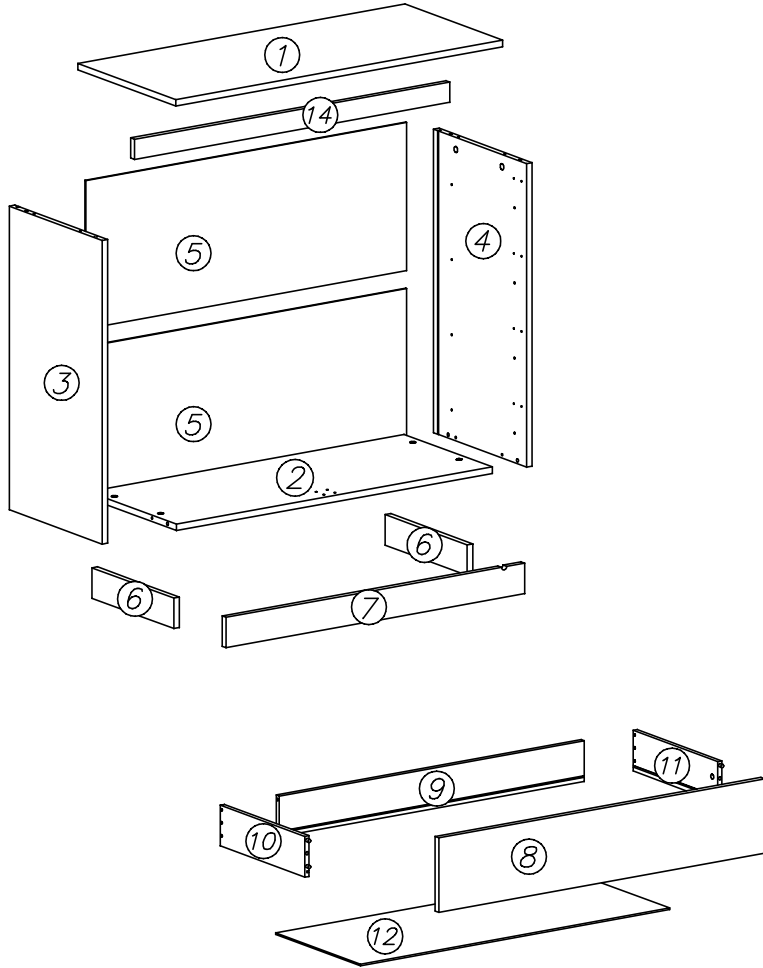
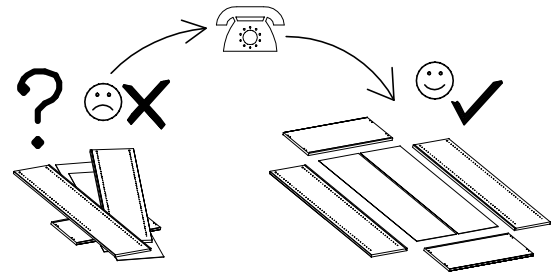
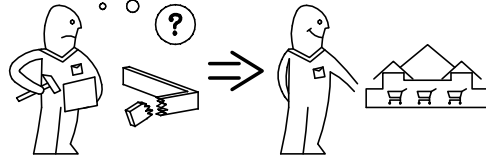
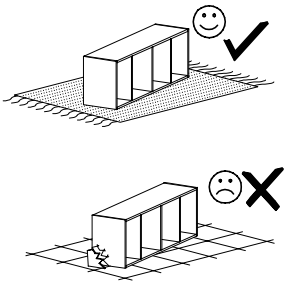


PUSH



1,5h

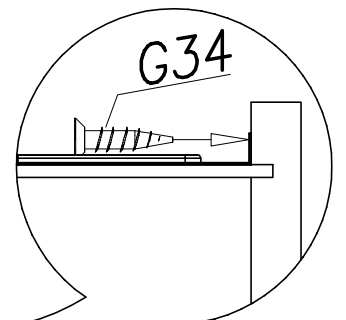
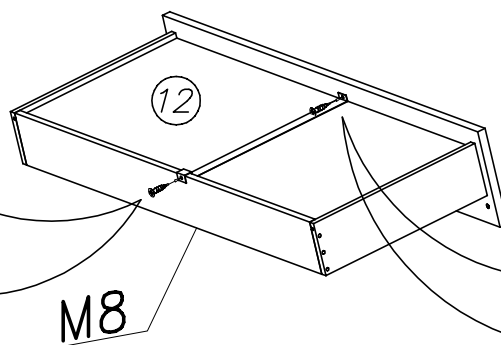
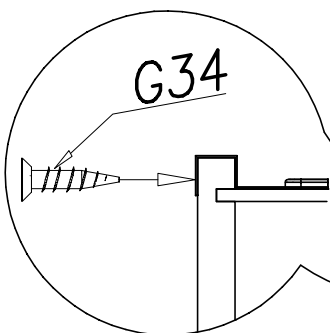
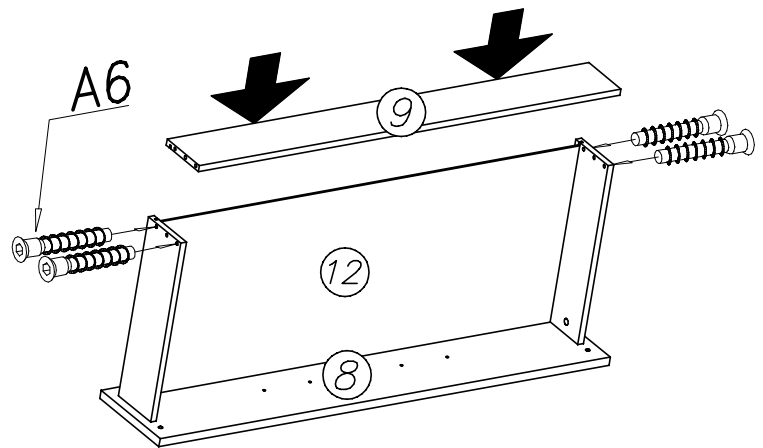
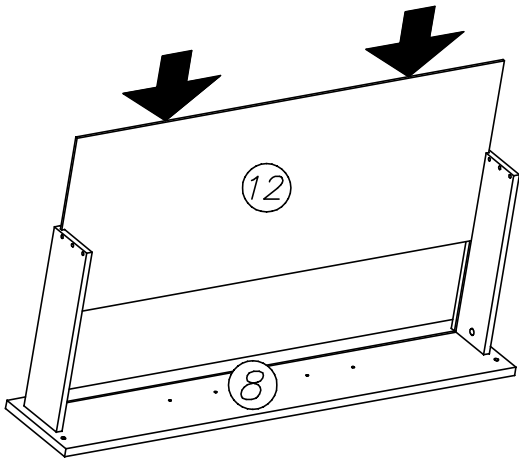
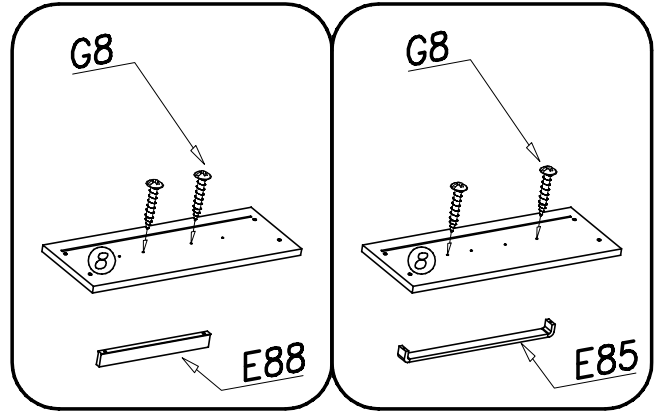
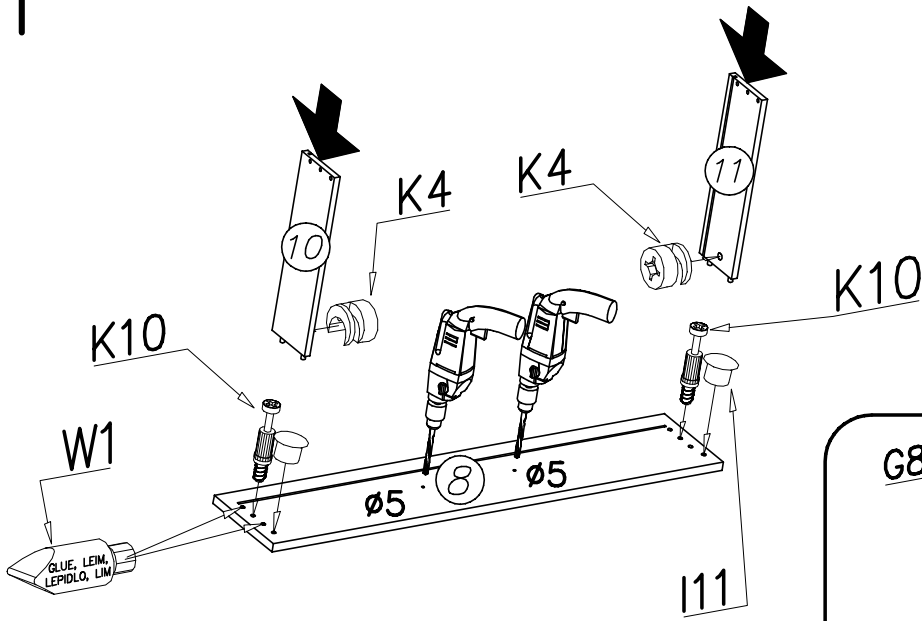




	<p><b>S1</b></p> <p>916mm x...(1)</p>	<p><b>I11</b></p> <p>∅10 x...(8)</p>	<p><b>M8</b></p> <p>350mm x...(4)</p>
<p><b>H23</b></p> <p>H27-350mm x...(4)</p>	<p><b>A6</b></p> <p>∅7x40 x...(16)</p>	<p><b>G20</b></p> <p>5x13 x...(32)</p>	<p><b>M11</b></p> <p>x...(1)</p>
	<p><b>W2</b></p> <p>x...(1)</p>	<p><b>I1</b></p> <p>x...(10)</p>	<p><b>W1</b></p> <p>GLUE, LEIM, LEPIDLO, LIM x...(2)</p>
<p><b>K1</b></p> <p>∅15x12 x...(8)</p>	<p><b>G8</b></p> <p>4x30 x...(8)</p>	<p><b>K4</b></p> <p>∅12x10 x...(8)</p>	<p><b>G34</b></p> <p>3,5x16 x...(70)</p>
<p><b>K10</b></p> <p>x...(16)</p>	<p><b>B1</b></p> <p>∅8x35 x...(8)</p>	<p><b>I7</b></p> <p>x...(8)</p>	<p><b>P4</b></p> <p>x...(6)</p>
			<p><b>F15</b></p> <p>x...(15)</p>
			<p><b>W10</b></p> <p>700mm x...(1)</p>

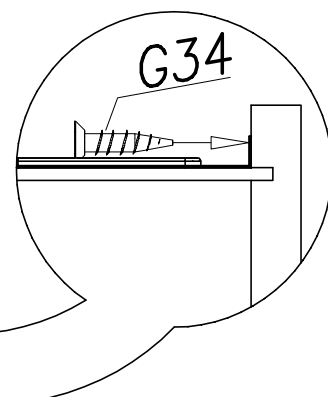
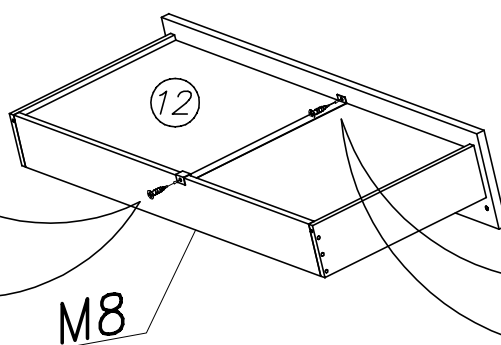
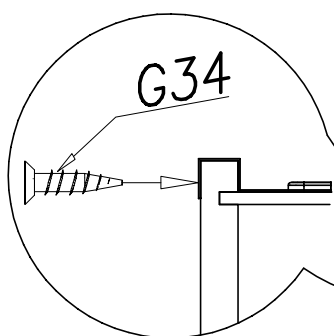
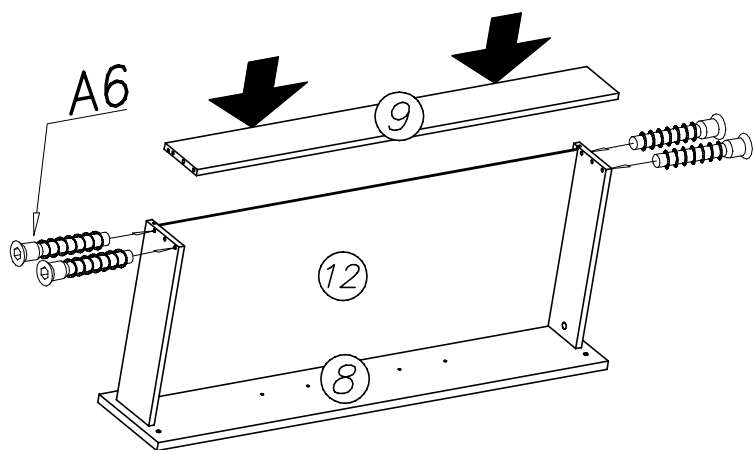
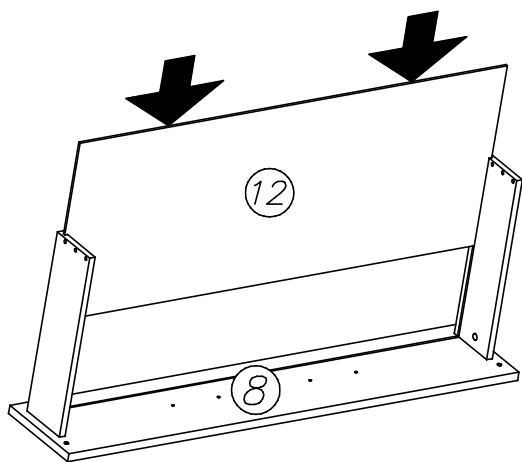
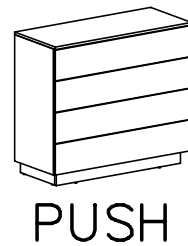
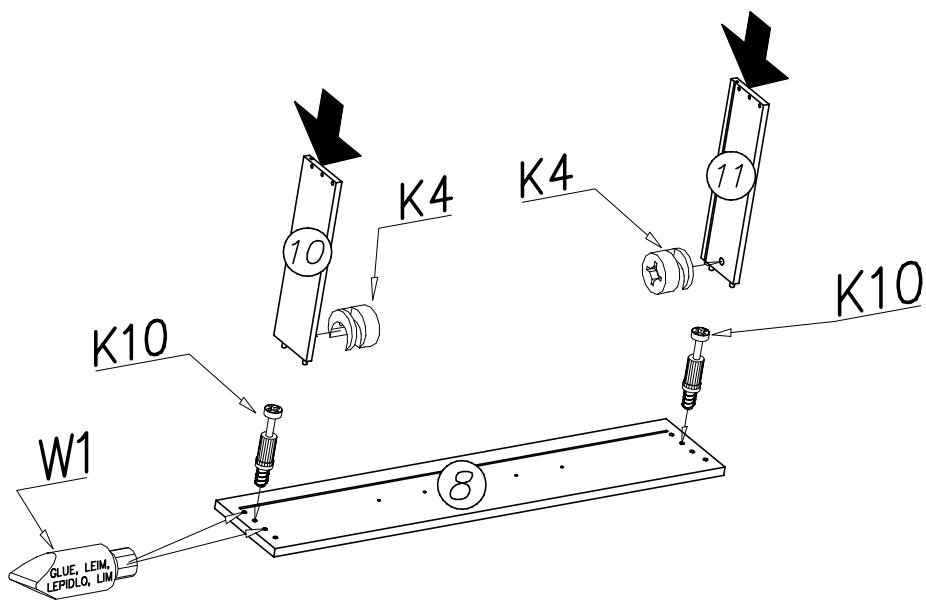
I

A

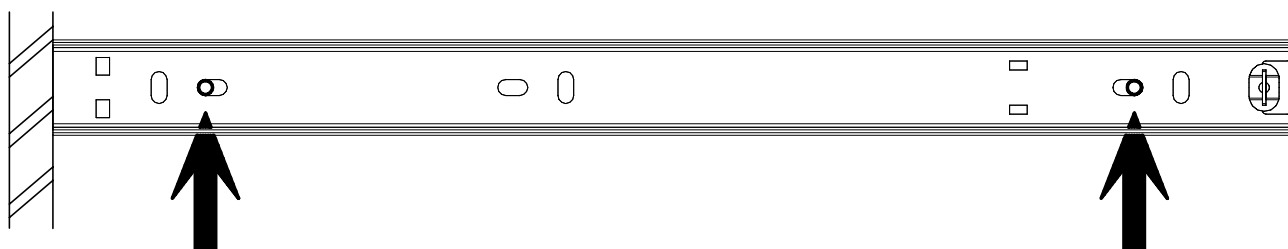
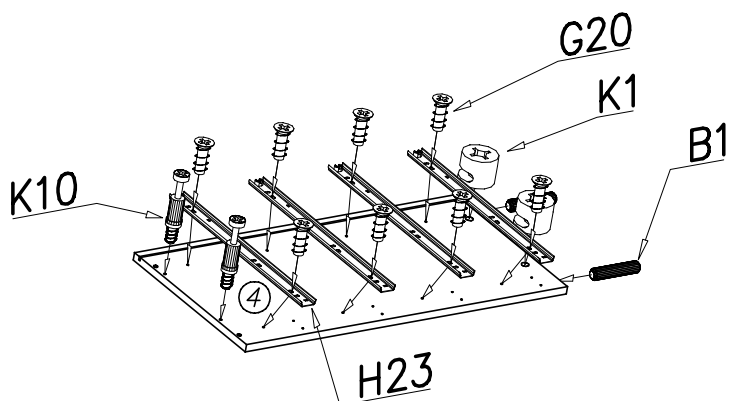
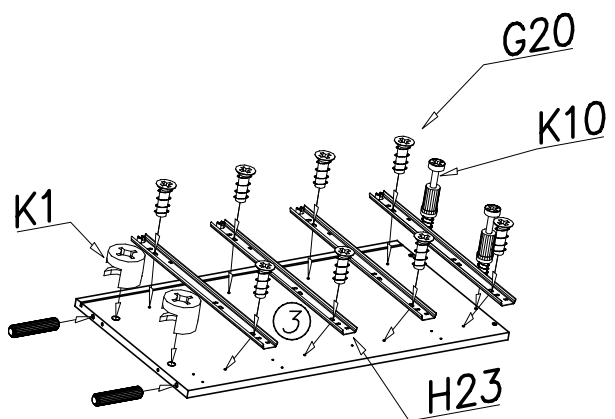
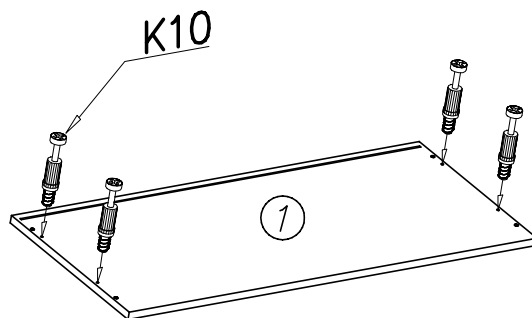
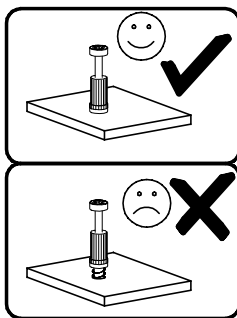
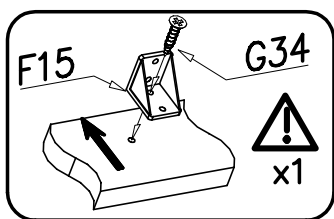
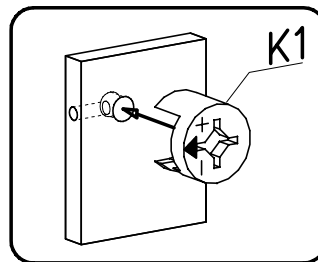
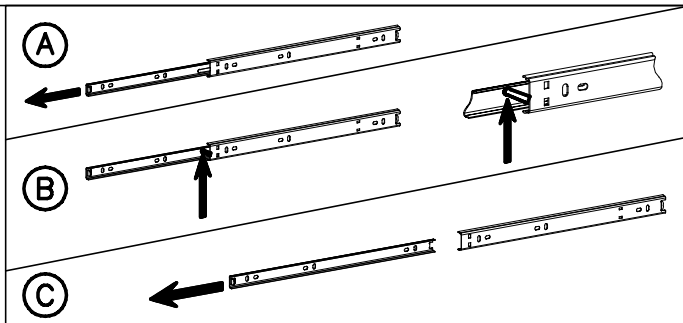
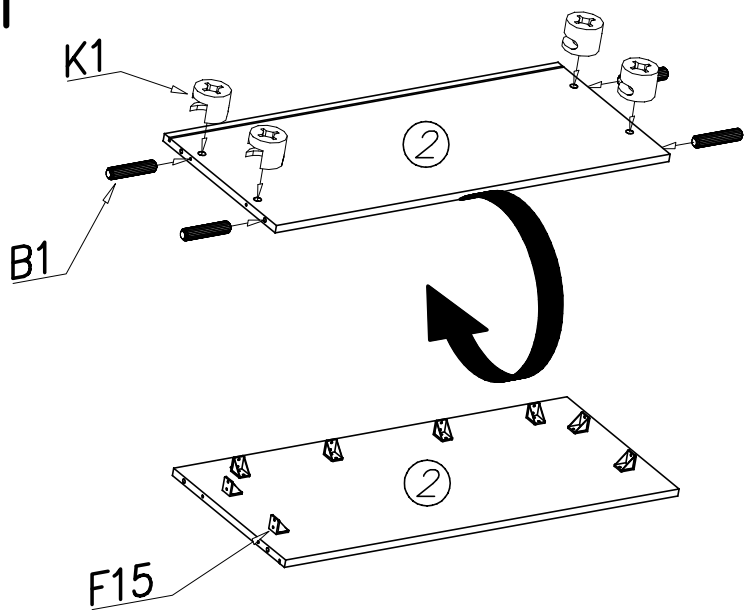


I

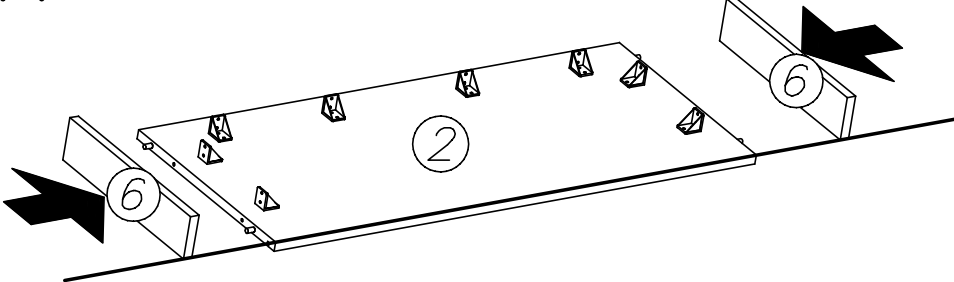
B



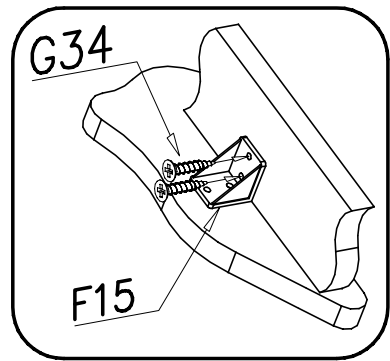
### III



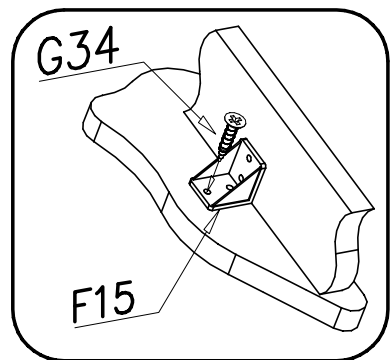
IV



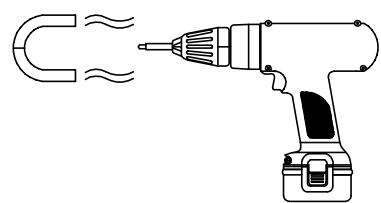
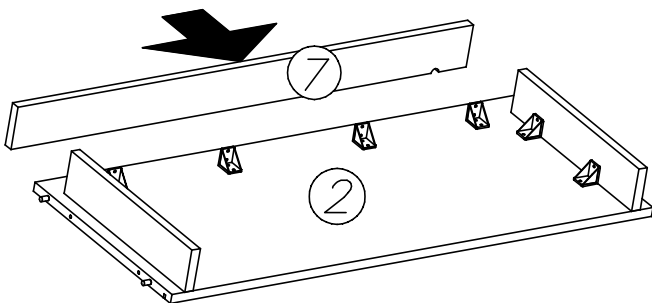
1.



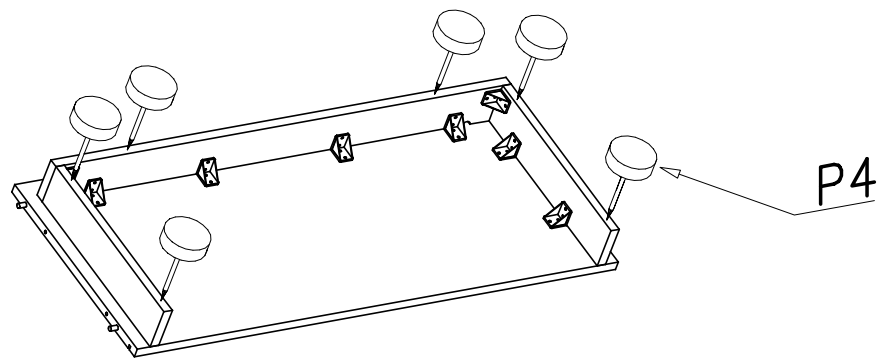
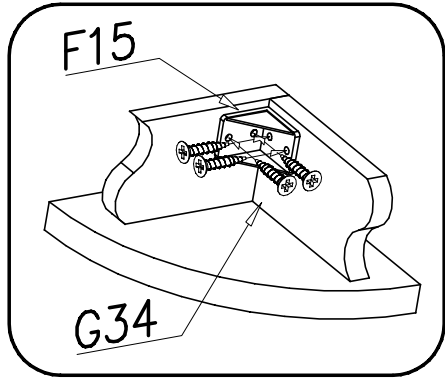
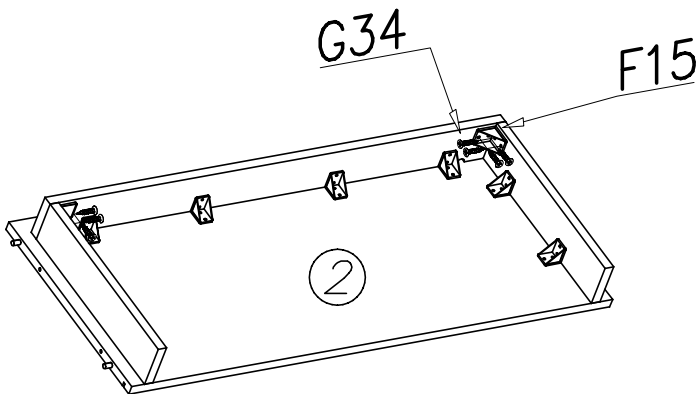
2.



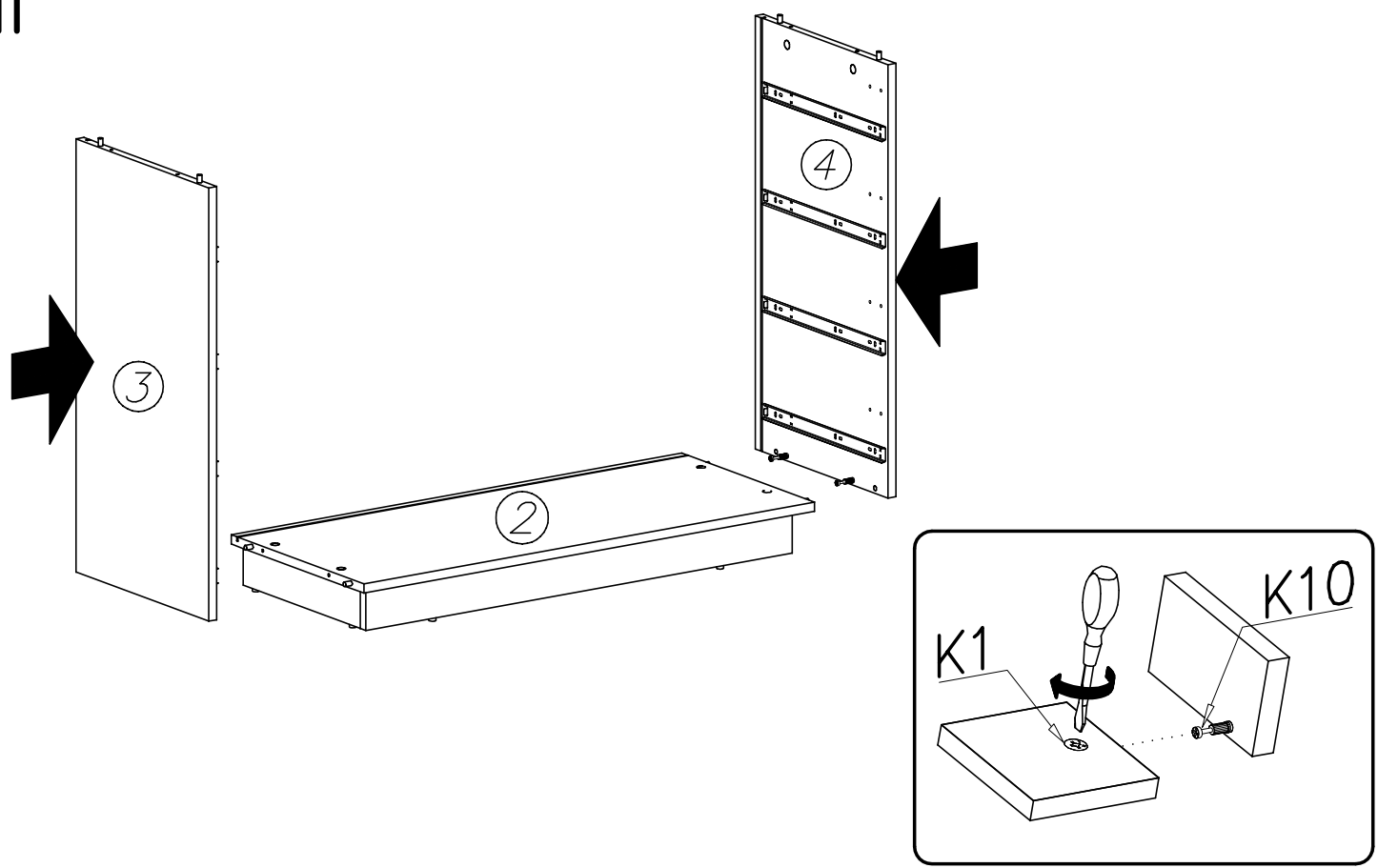
V



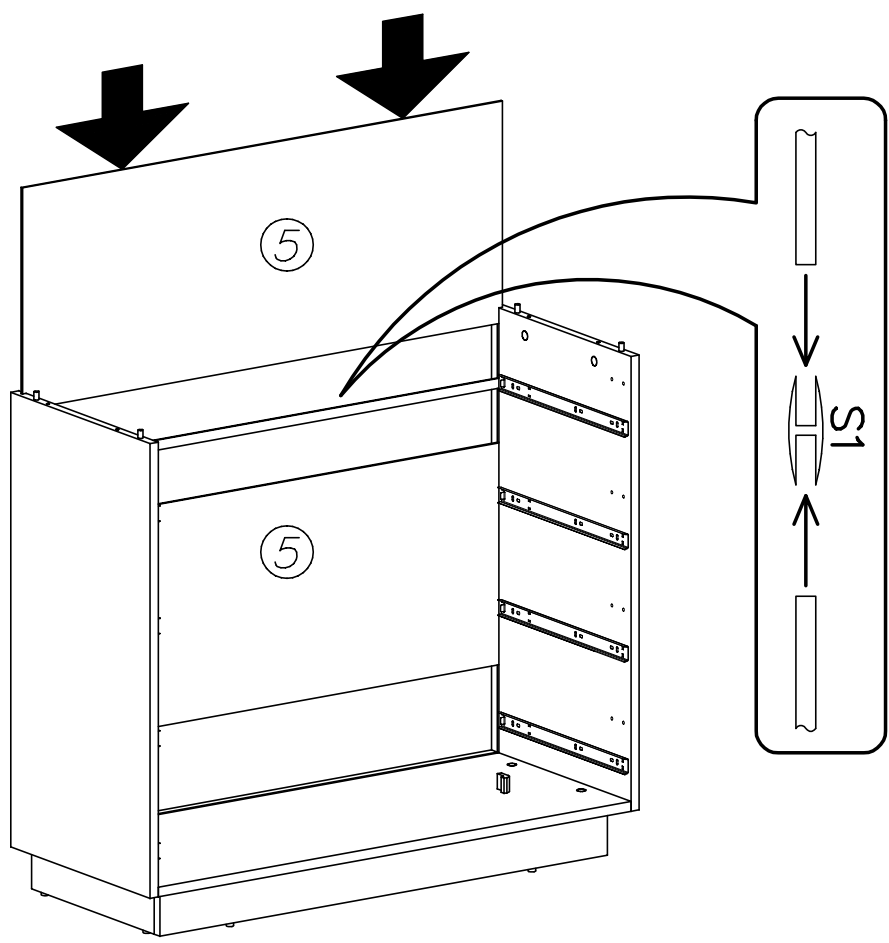
VI



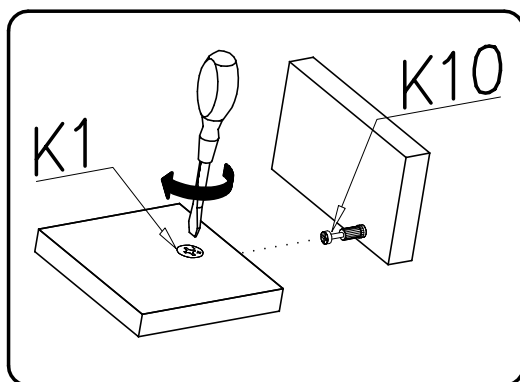
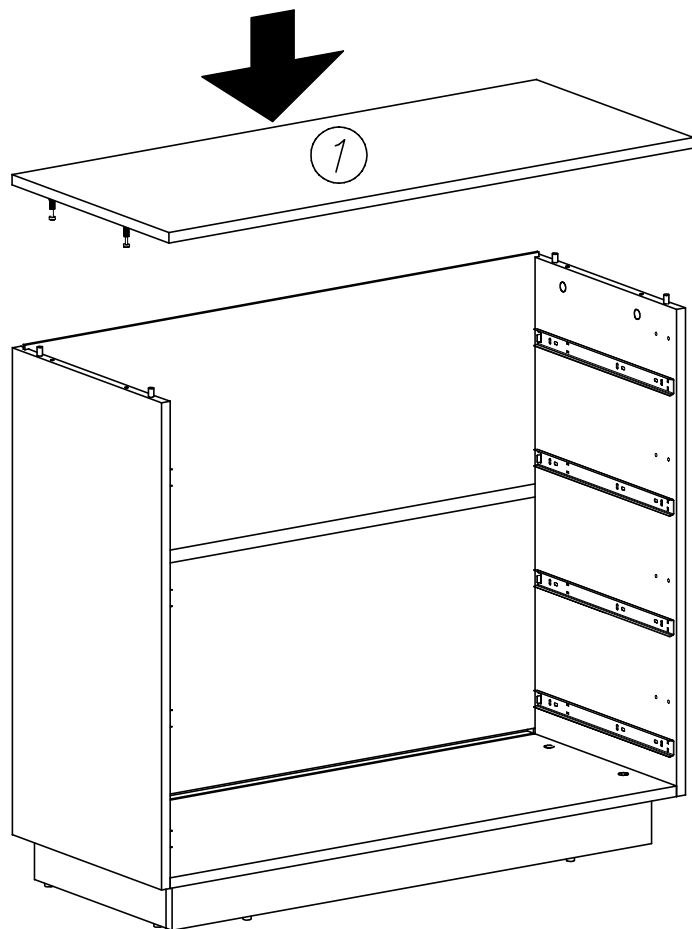
VII



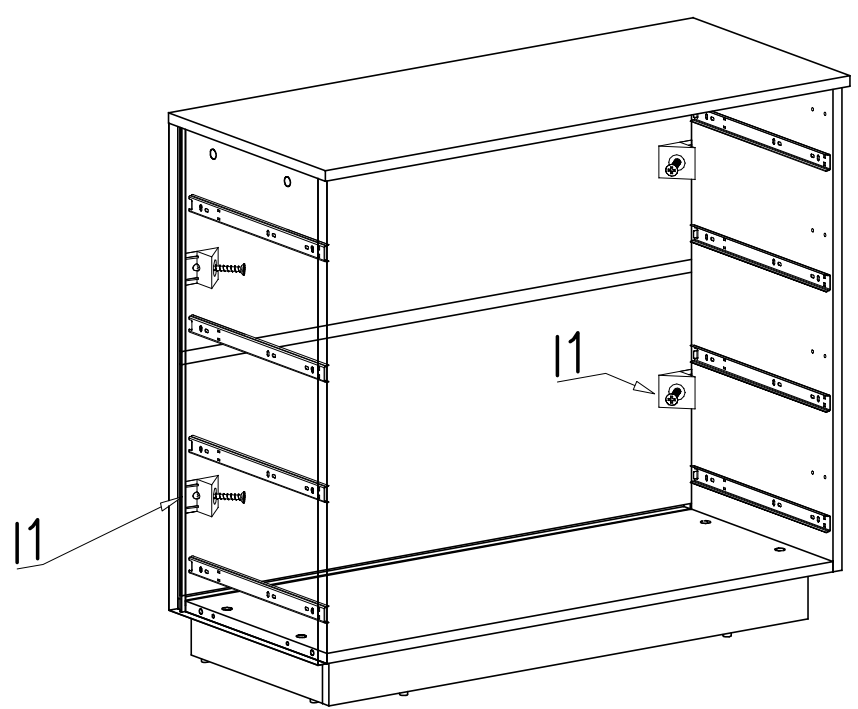
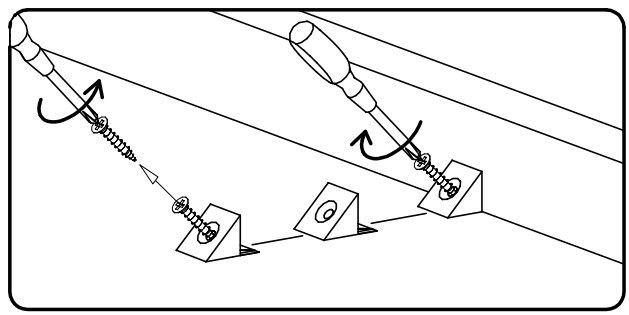
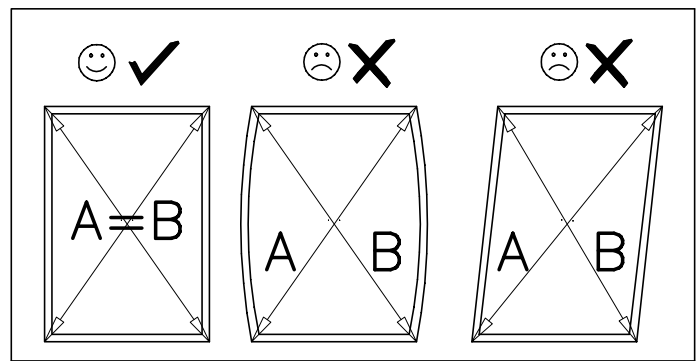
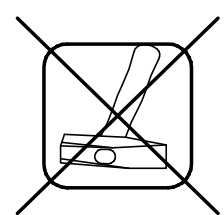
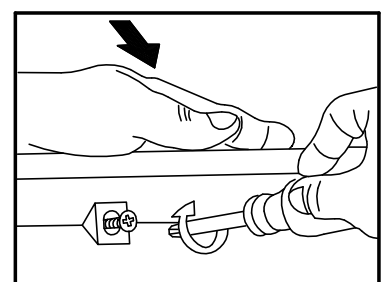
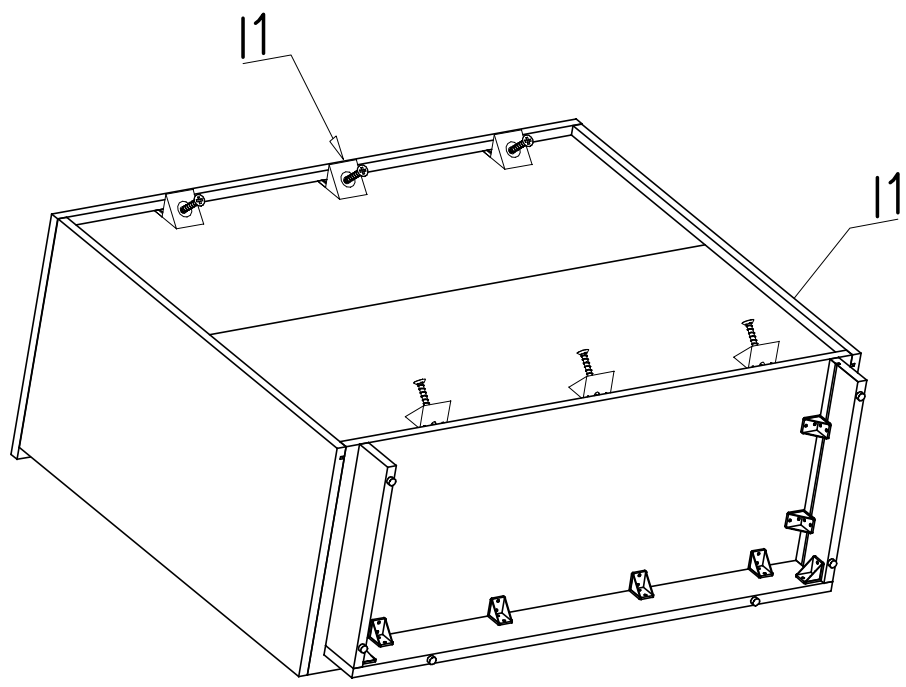
VIII



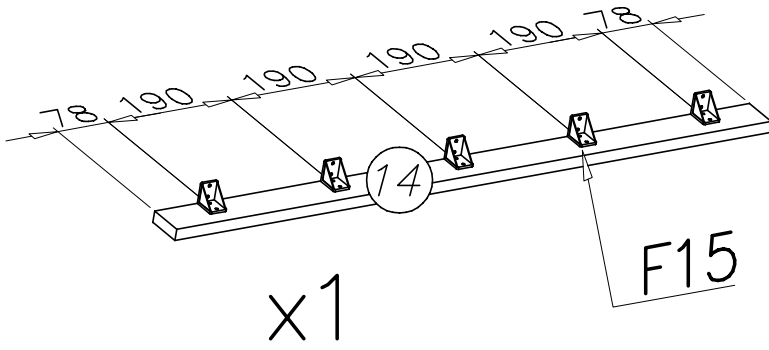
IX



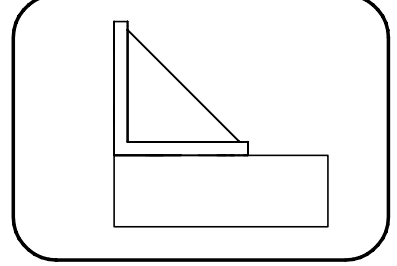
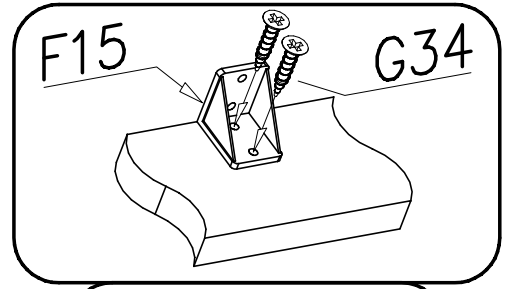
## X



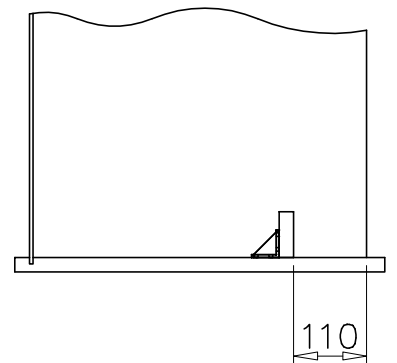
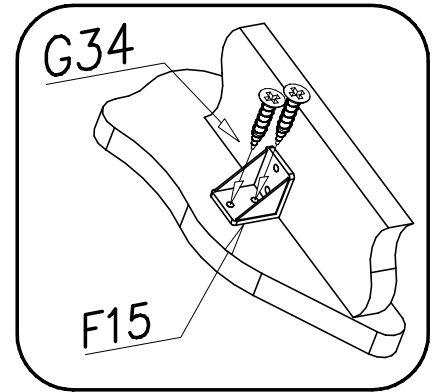
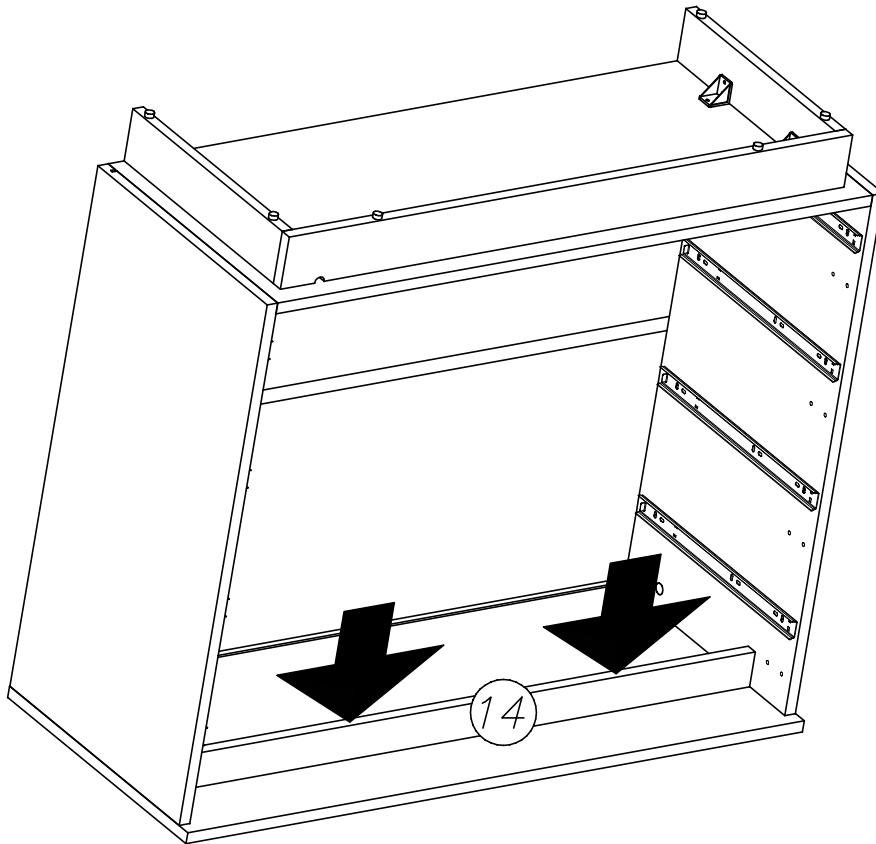
XI



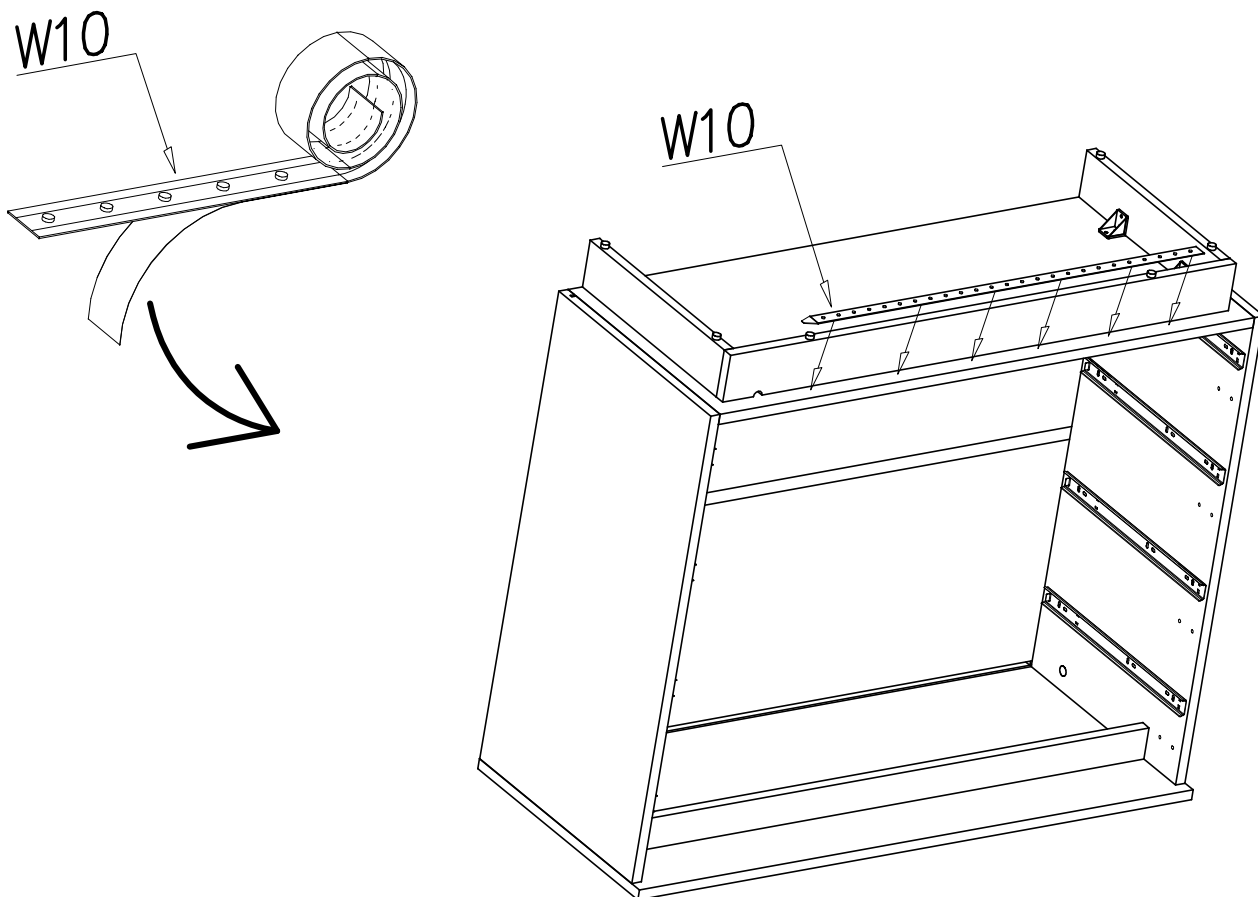
x1



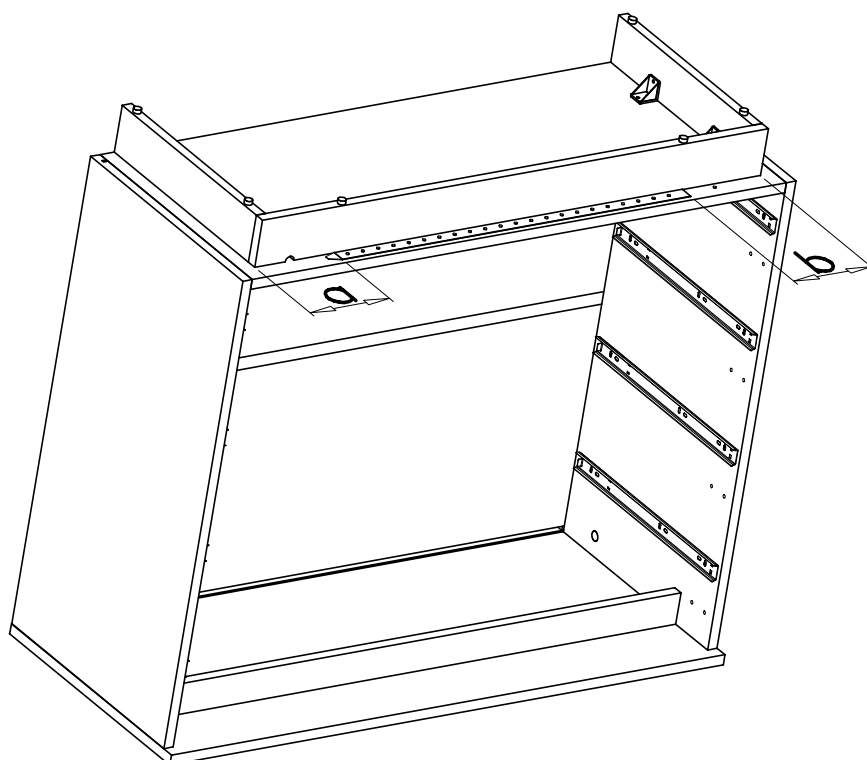
XII



XIII

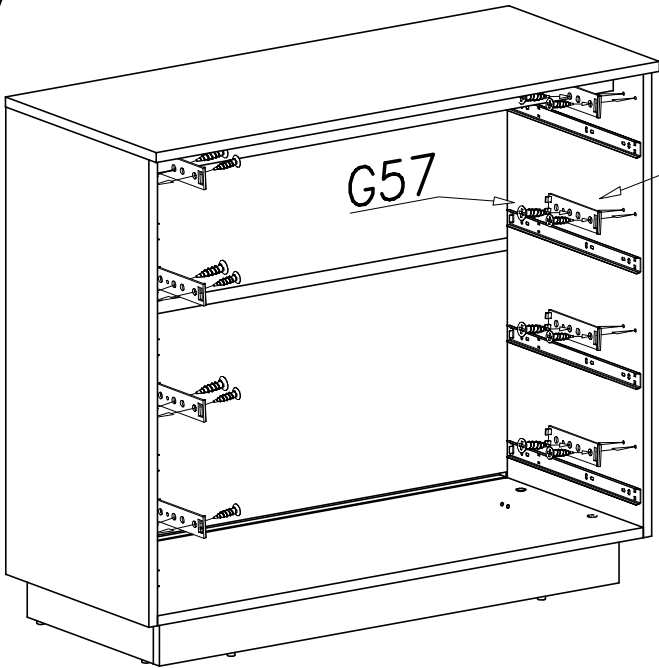


XIV

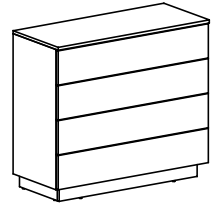
 $a=b$ 

XV

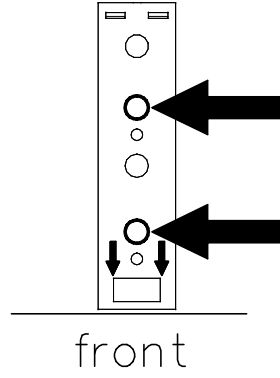
B



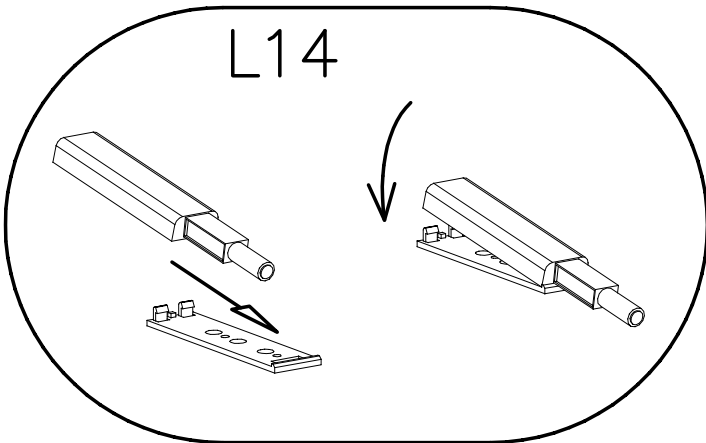
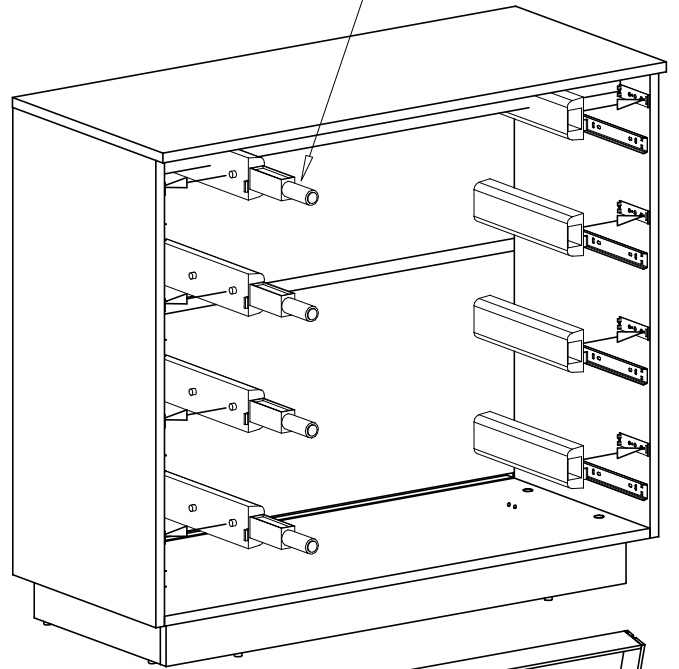
L14



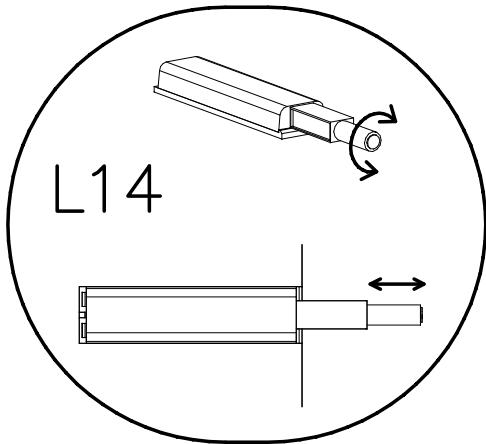
PUSH



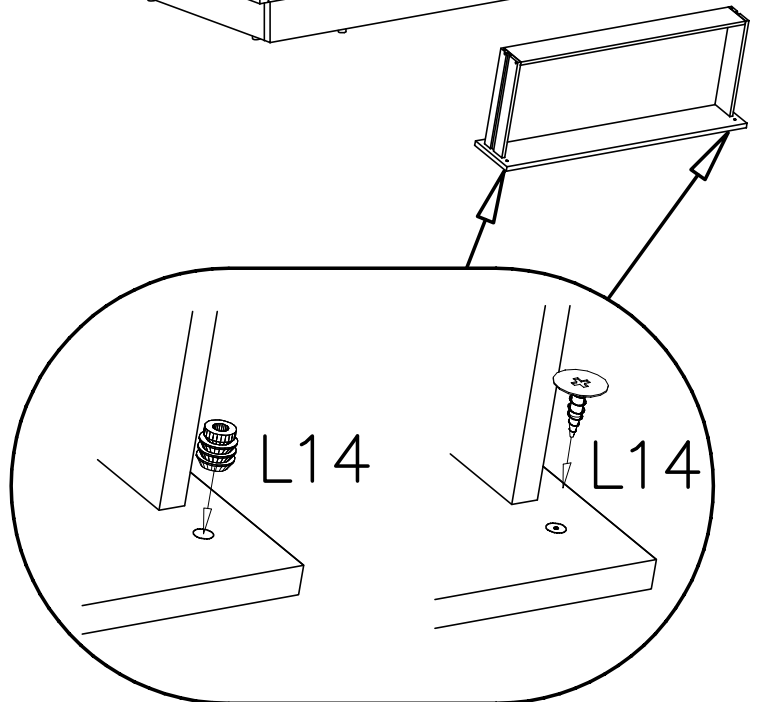
L14



L14



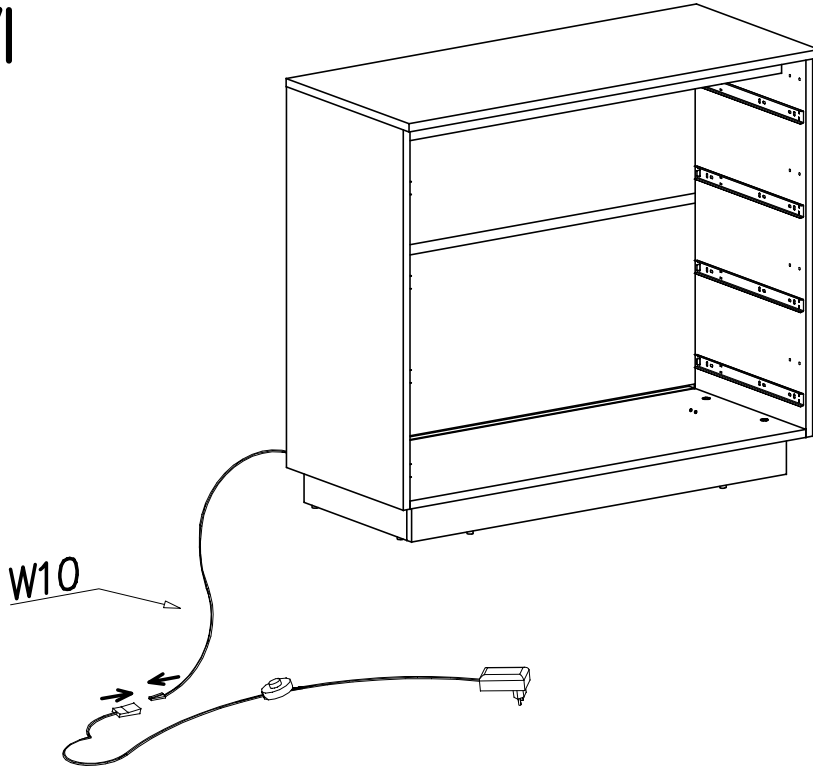
L14



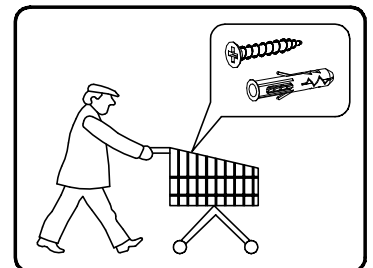
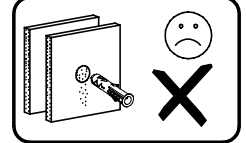
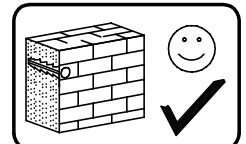
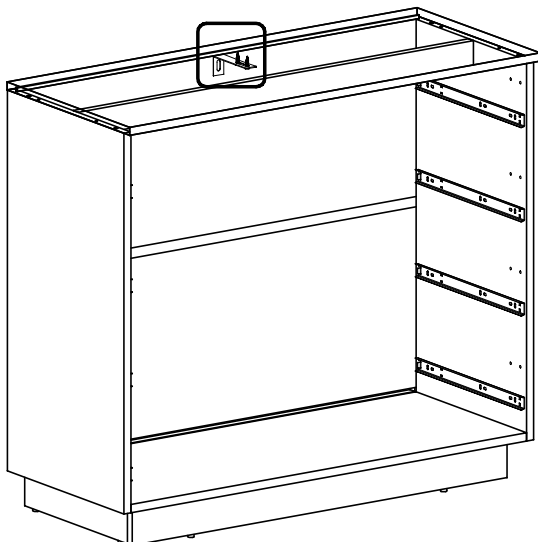
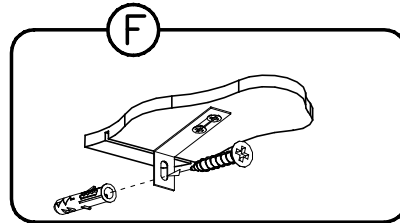
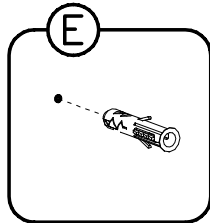
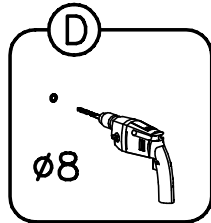
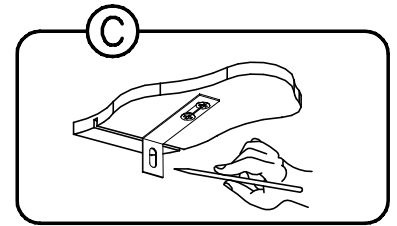
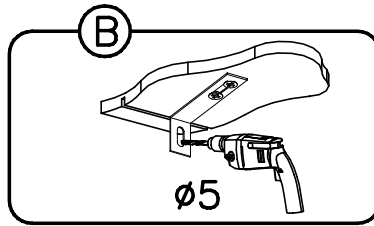
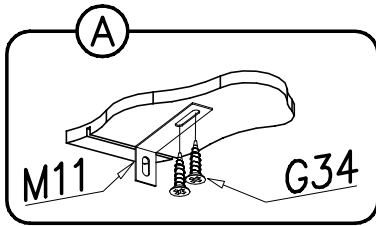
L14

L14

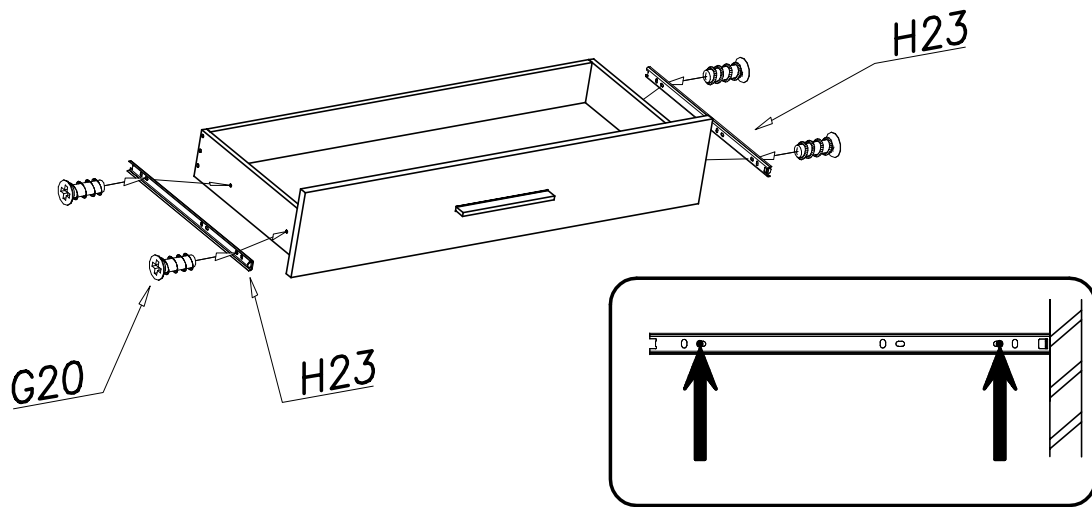
XVI



XVII



XVIII



XIX

