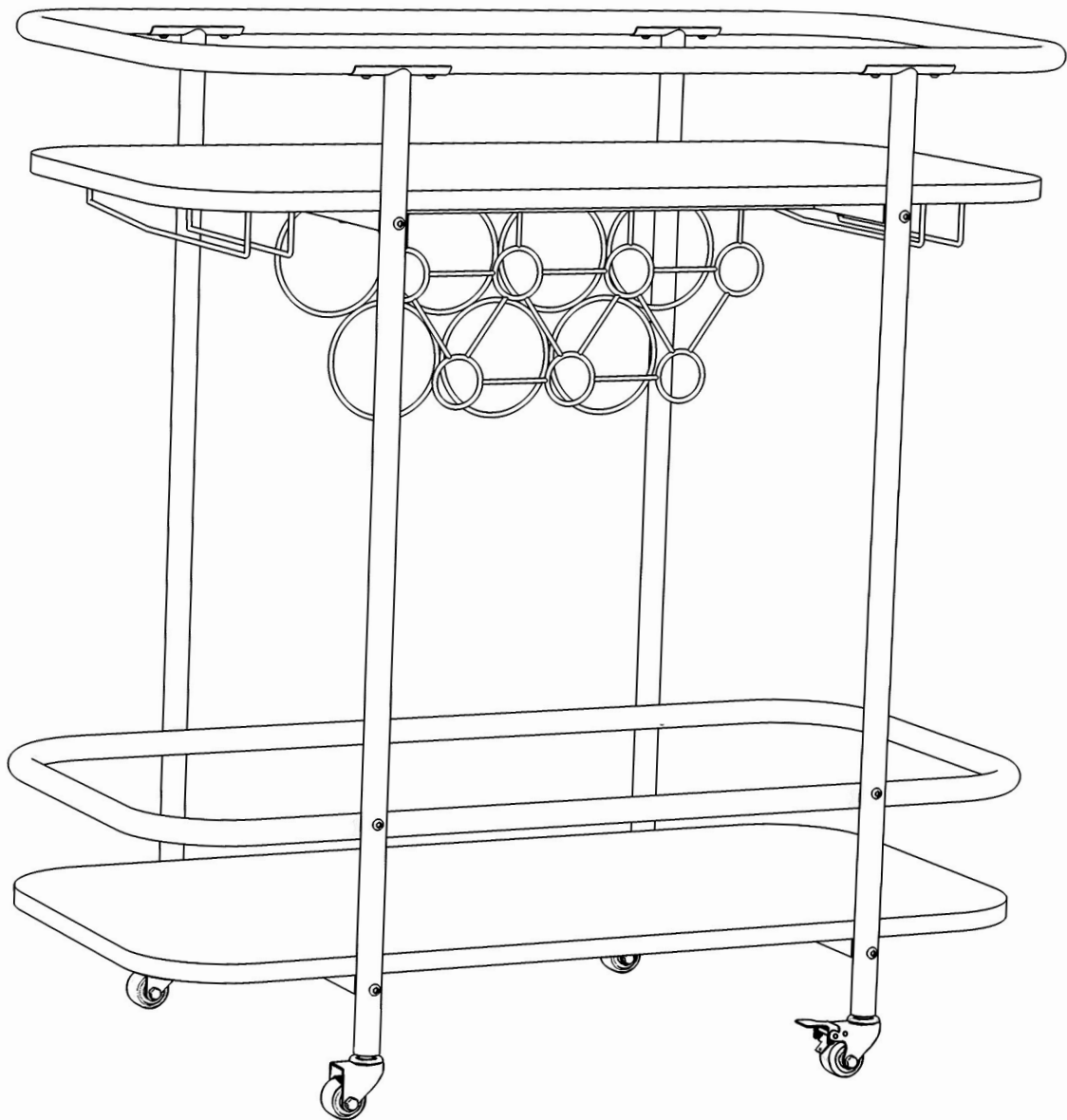


2-Tier Bar Cart

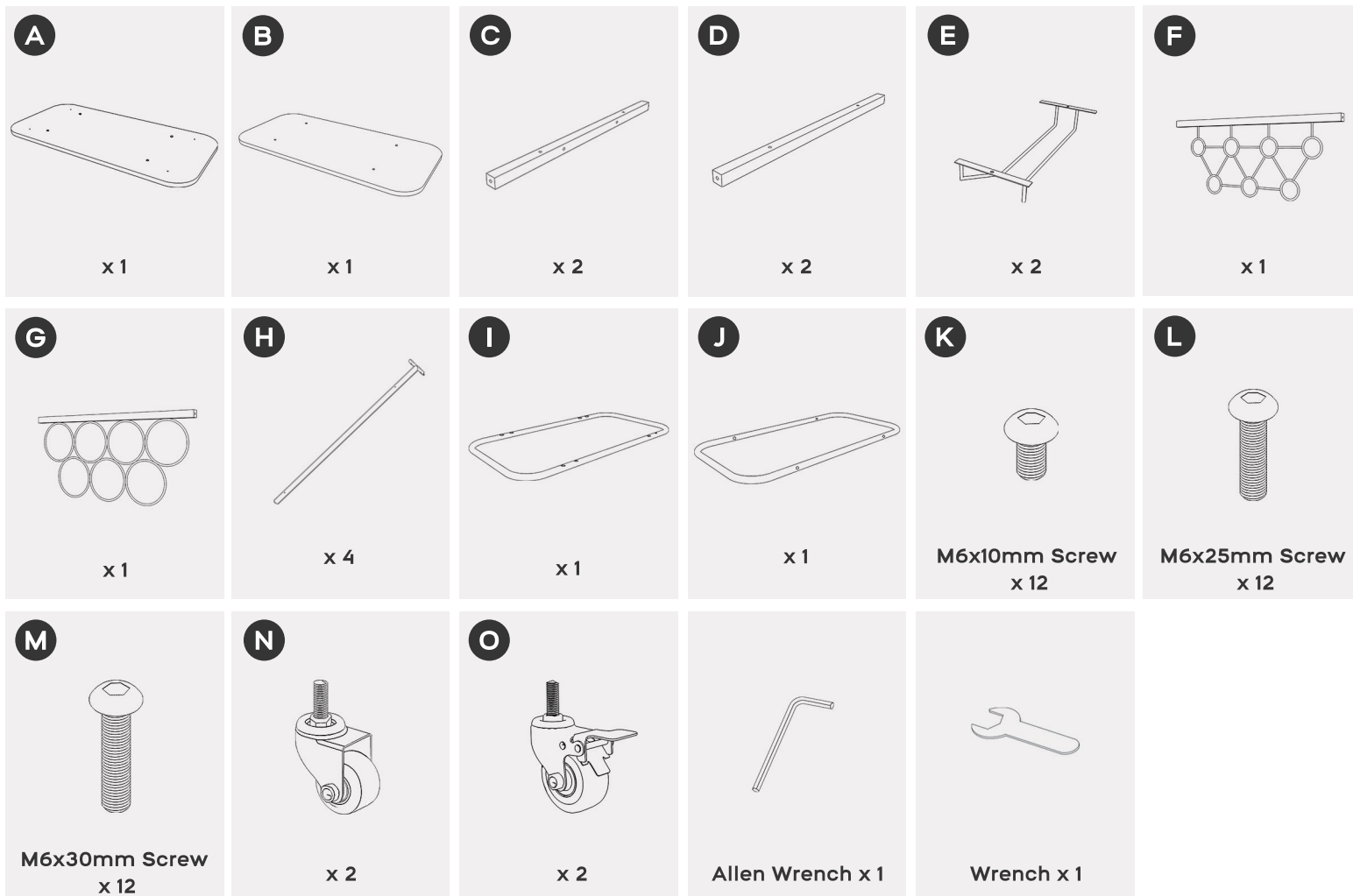
Installation Steps



Important Assembly Advice

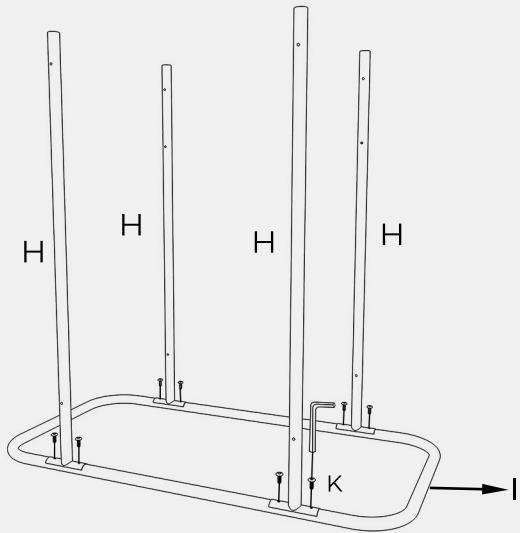
1. Parts of assembly will be MUCH EASIER with 2 people.
2. Please keep a mild tightness on all the screwing during assembly. After the whole bar cart is assembled, firmly tighten all the screws.
3. You can also refer to the installation video on the product page for guidance.

Components



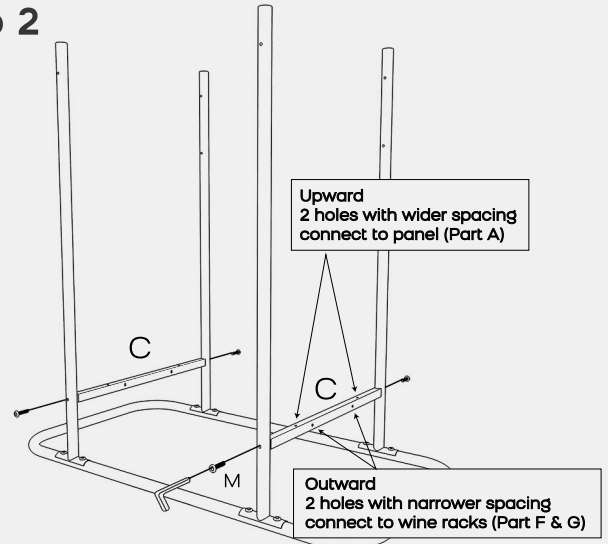
Assembly Instructions

Step 1



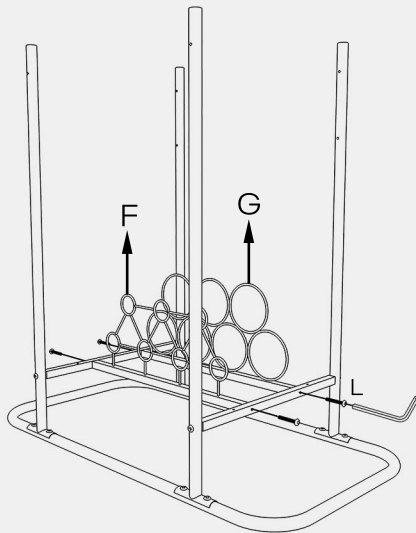
 K X 8

Step 2



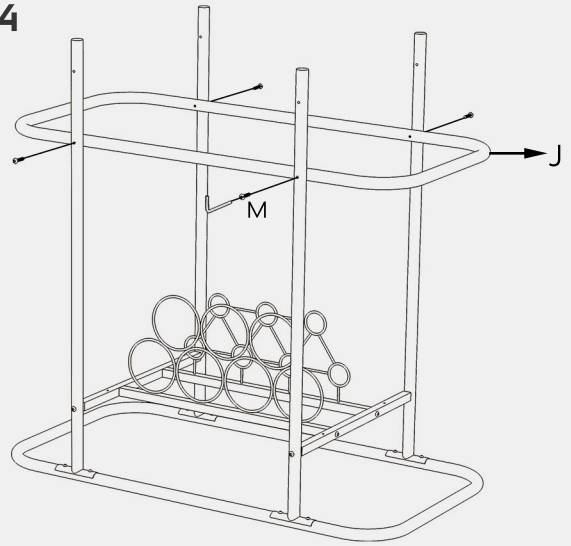
 M X 4

Step 3



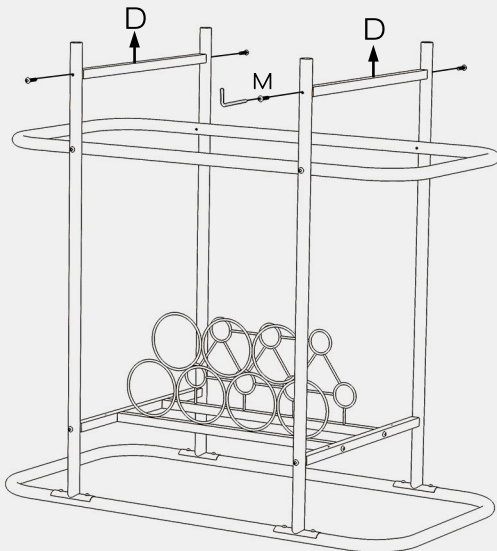
 L X 4

Step 4



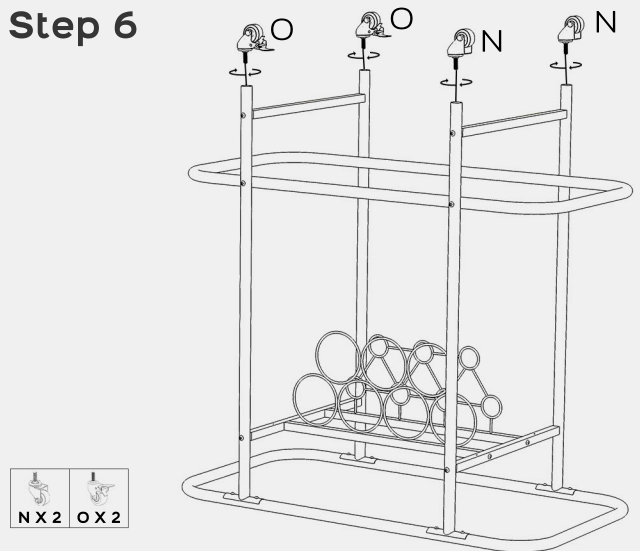
 M X 4

Step 5



 M X 4

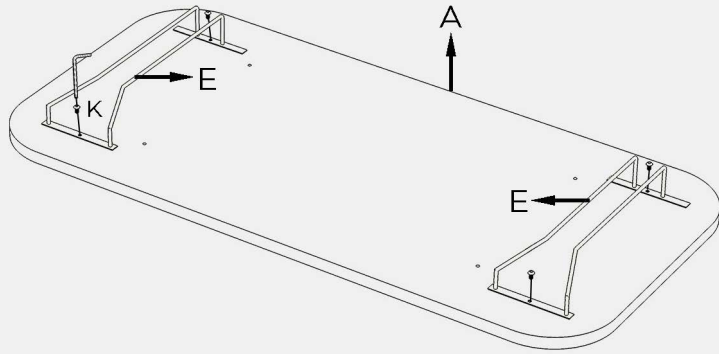
Step 6



 N X 2  O X 2

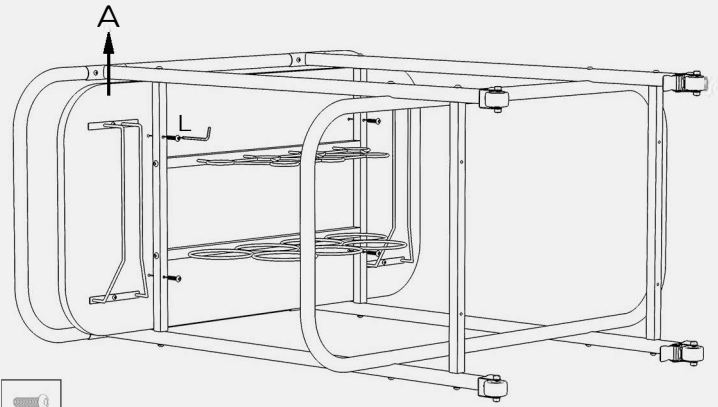
Assembly Instructions

Step 7



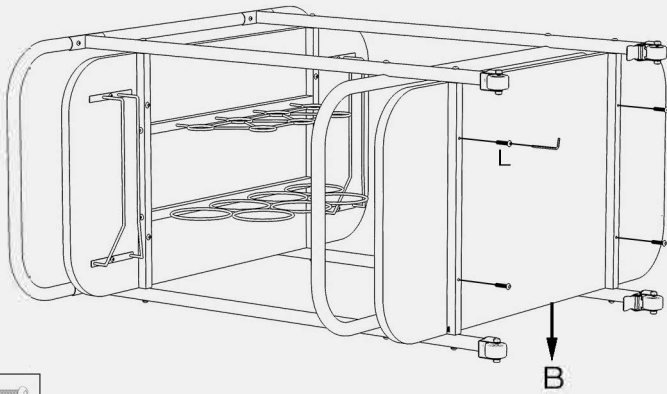
 K X 4

Step 8



 LX 4

Step 9



 LX 4

Step 10

