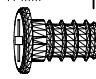
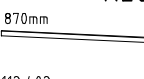
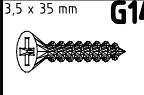


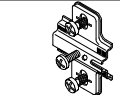

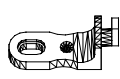
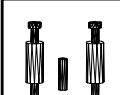


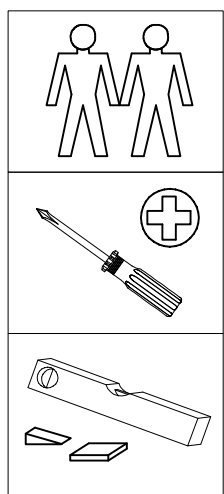
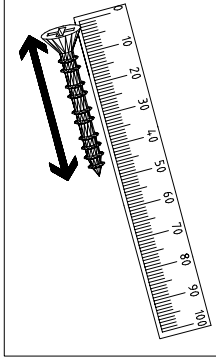
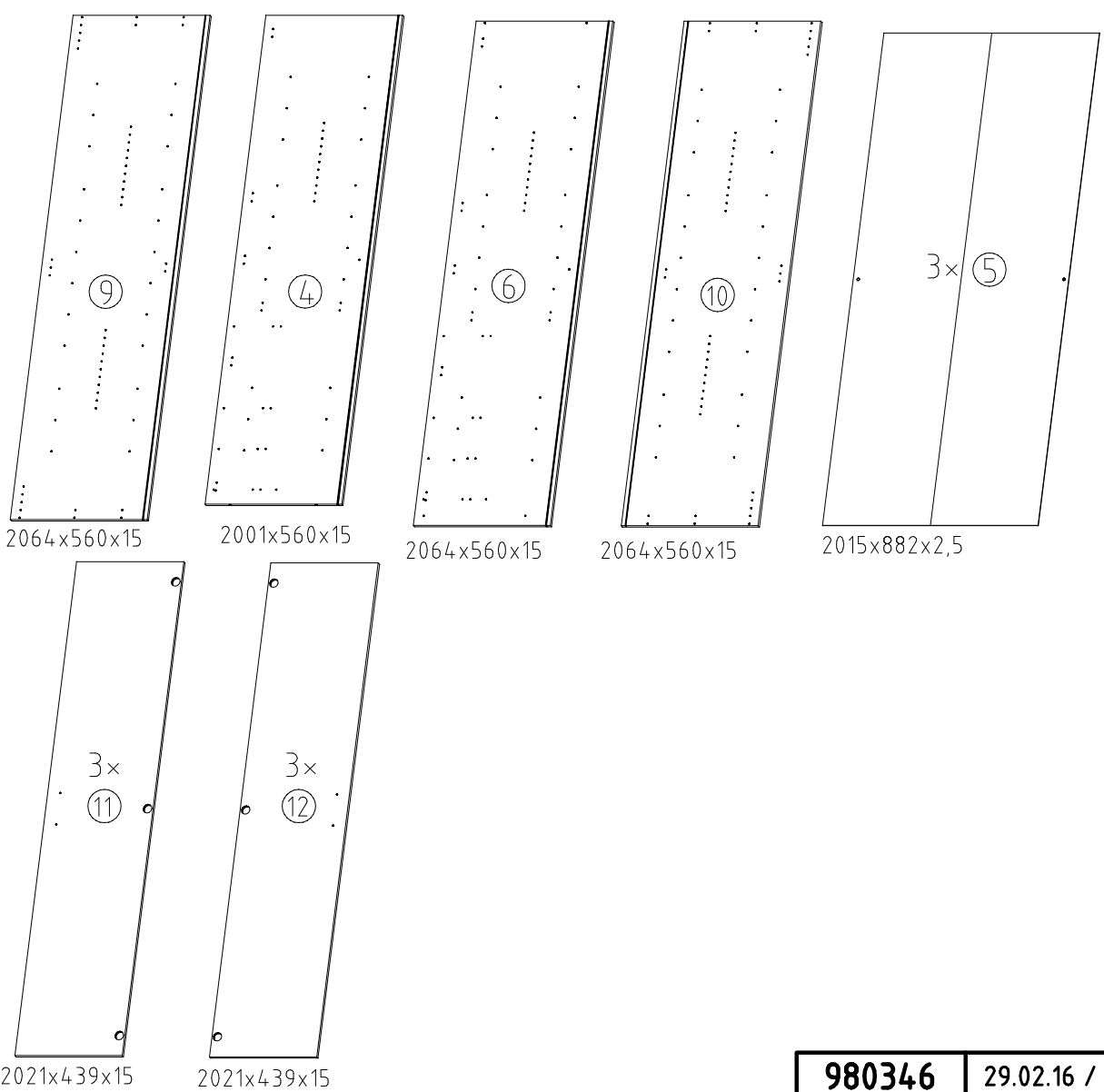
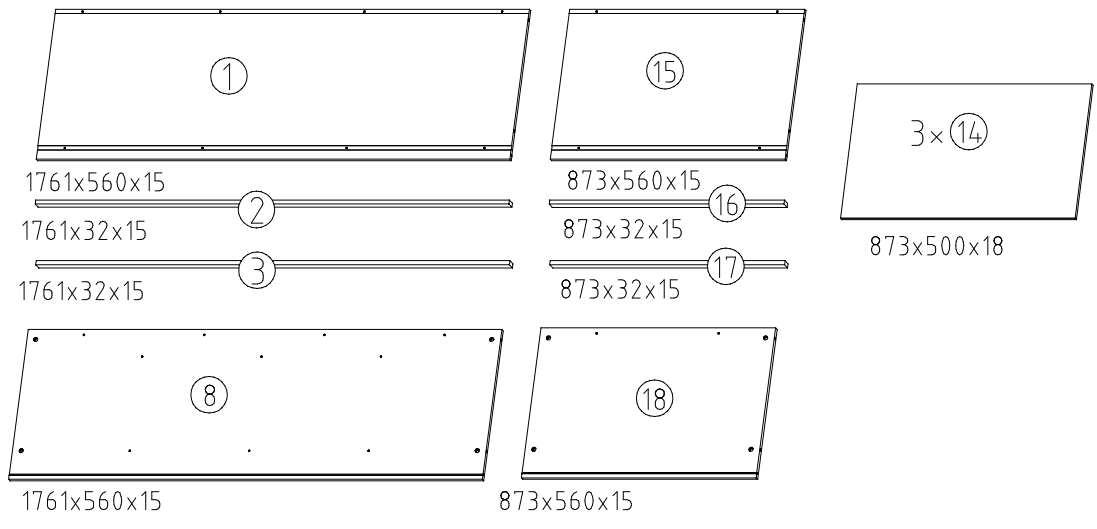
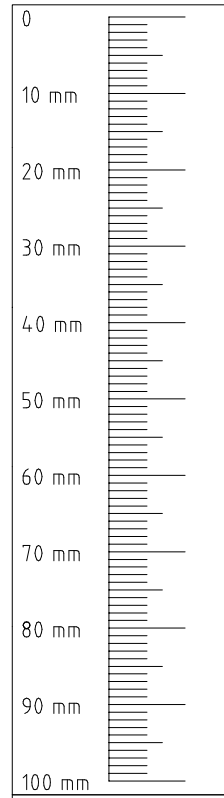
 111 103 M6 x 11 mm	<b>C</b> 12x
 121 181	<b>T6</b> 6x
 870mm 112 402	<b>K20</b> 3x

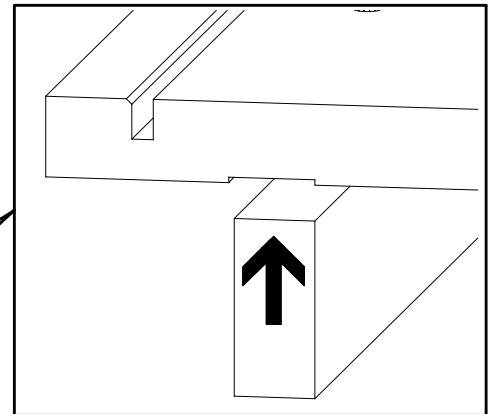
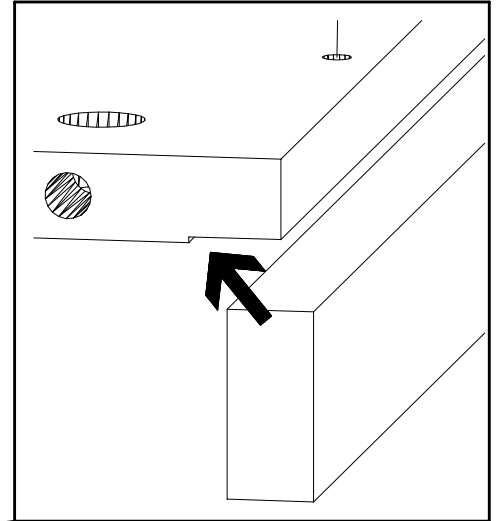
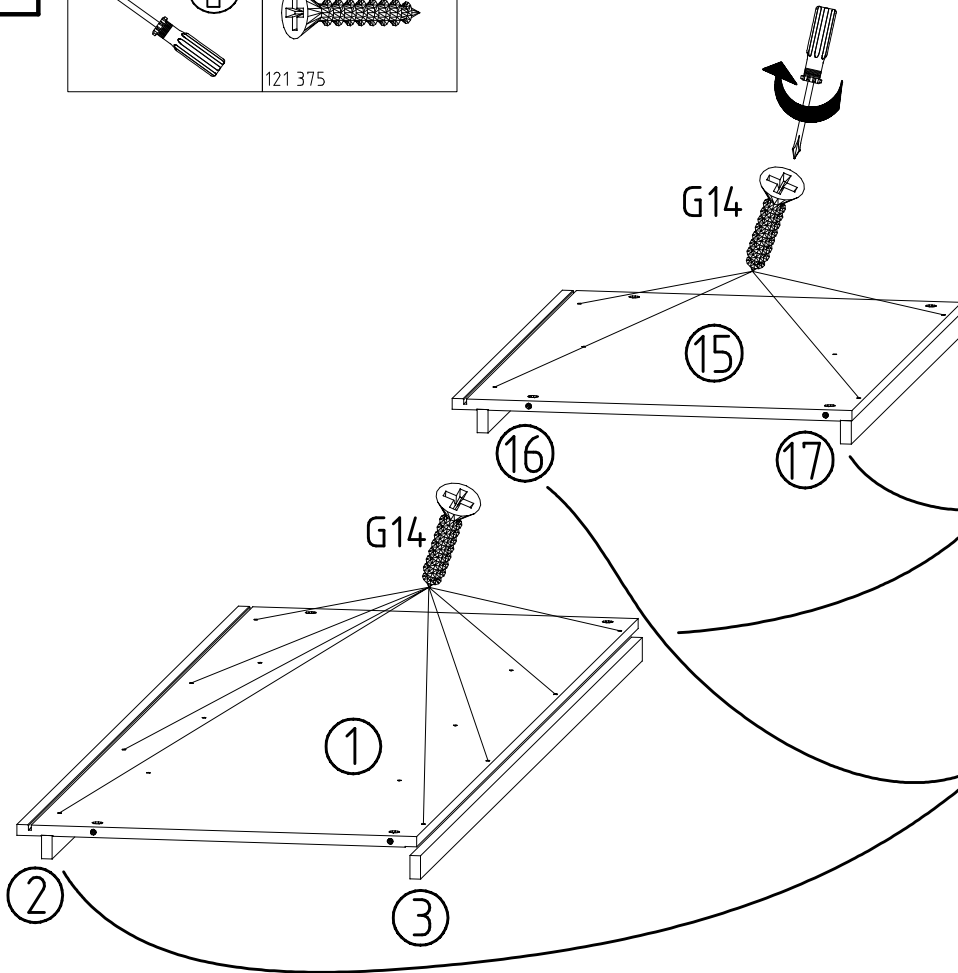
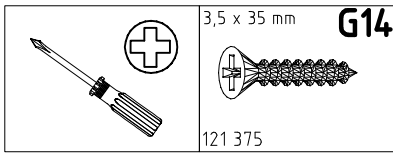
 121 375 3,5 x 35 mm	<b>G14</b> 18x
 111 610	<b>L7</b> 12x
 111 102	<b>A</b> 20x

 112 268	<b>M</b> 18x
 112 267	<b>N</b> 18x
 111 174	<b>J1</b> 6x

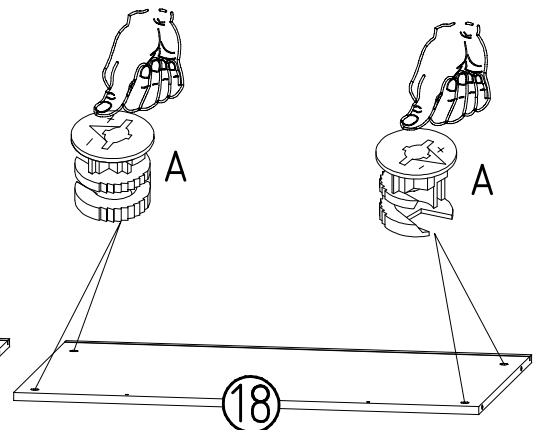
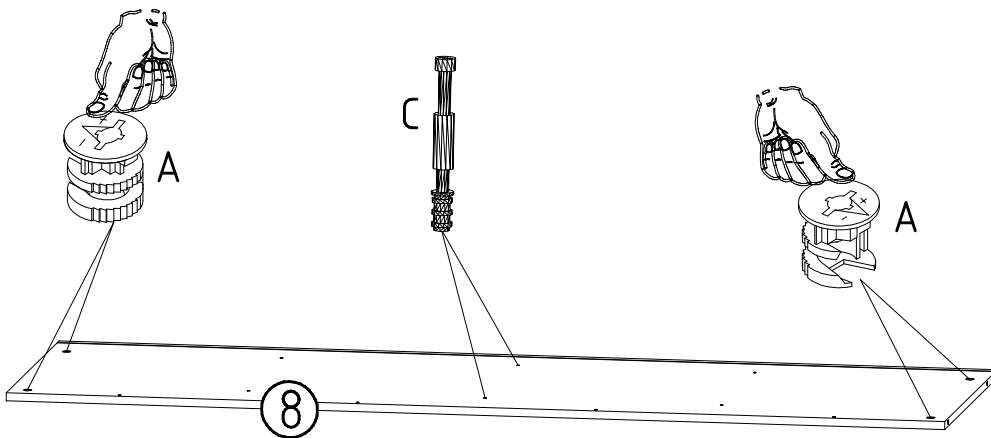
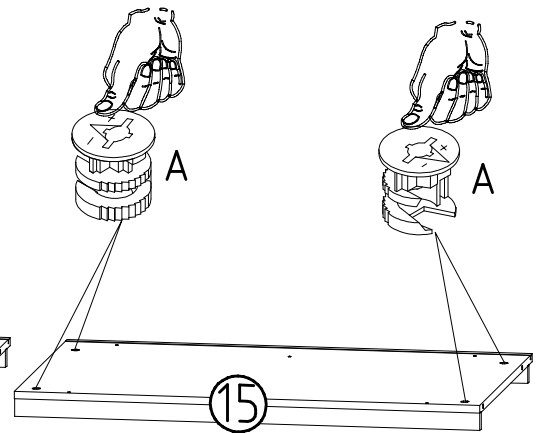
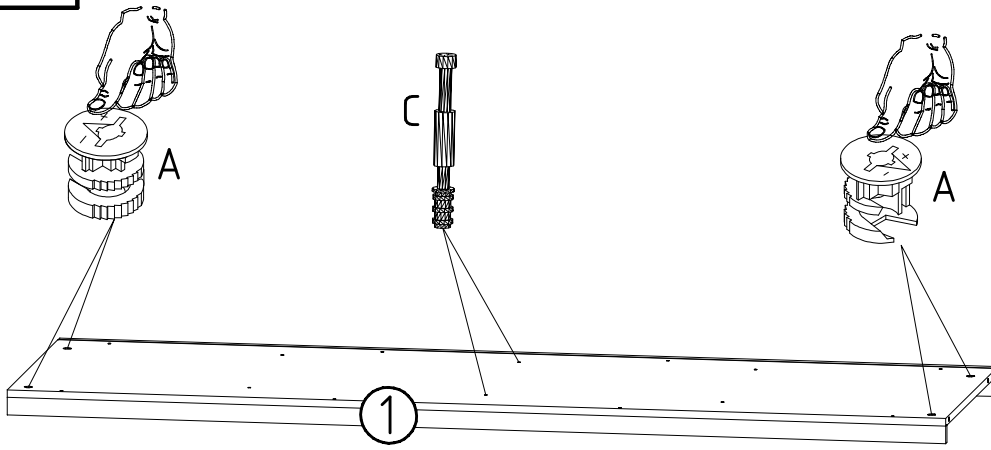
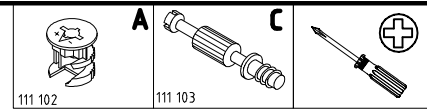
 117 001 3,5 x 15 mm	<b>F3</b> 4x
	<b>K1</b> 6x
 121 370	<b>G1</b> 12x



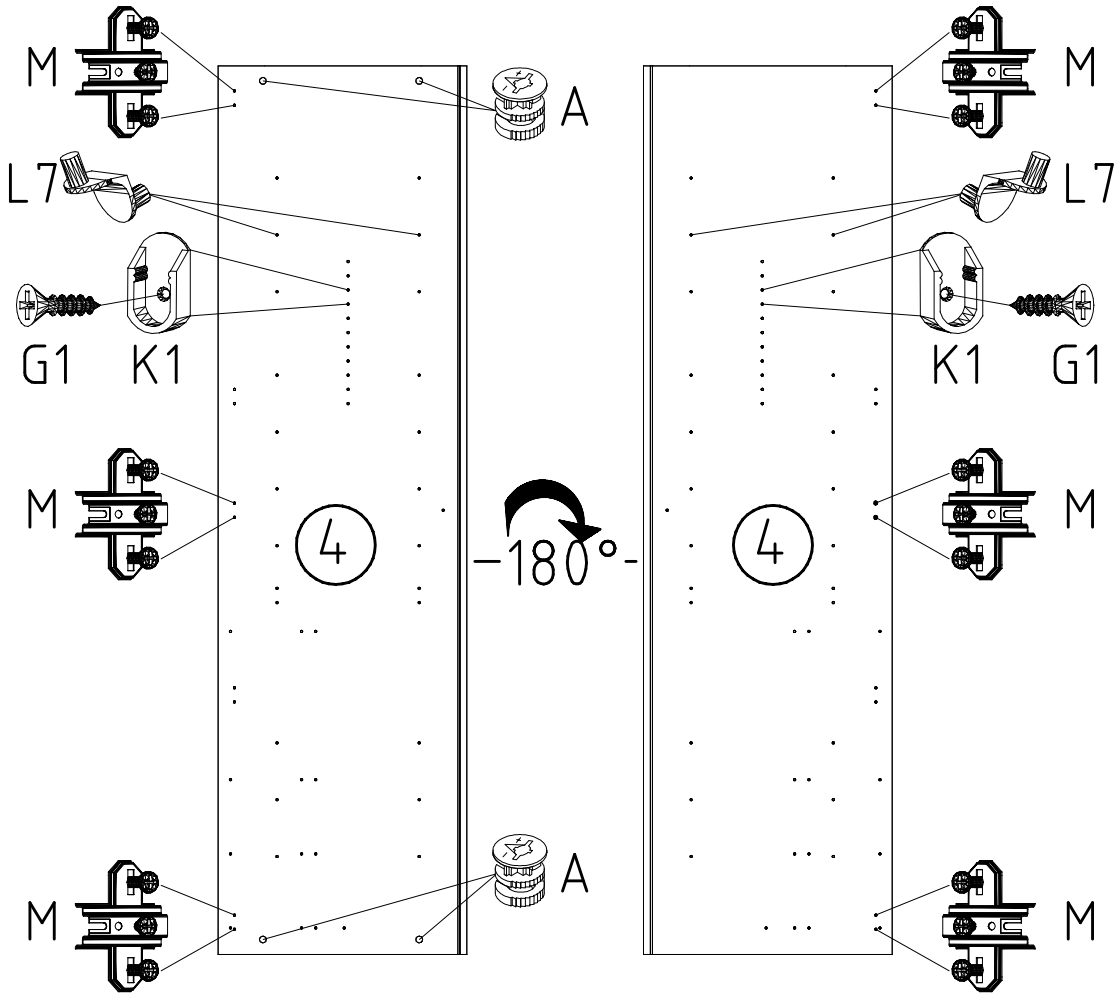
1


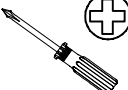

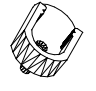

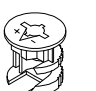
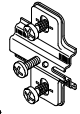


2

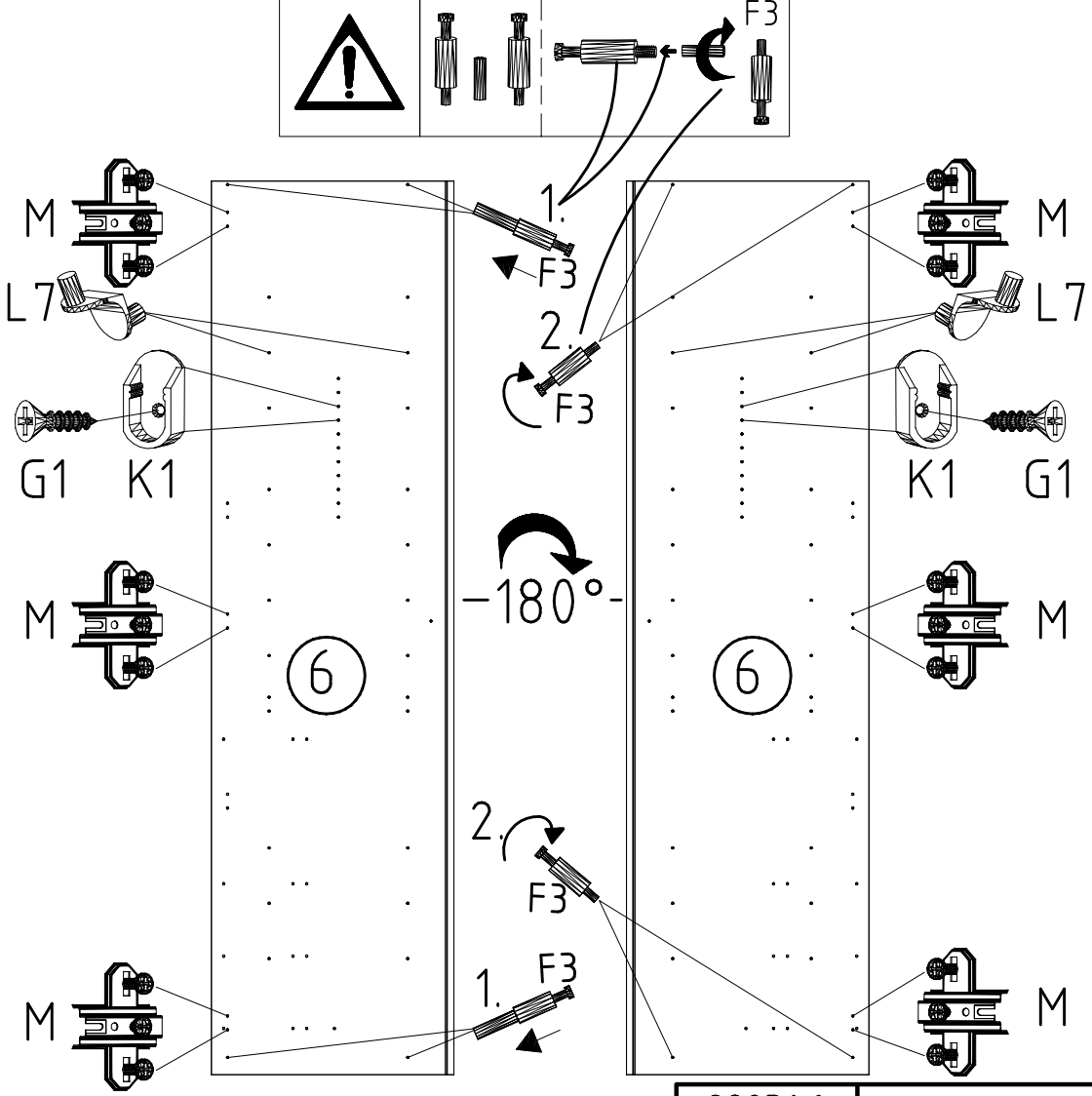


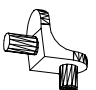
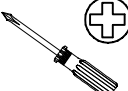

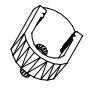


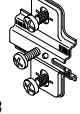
3



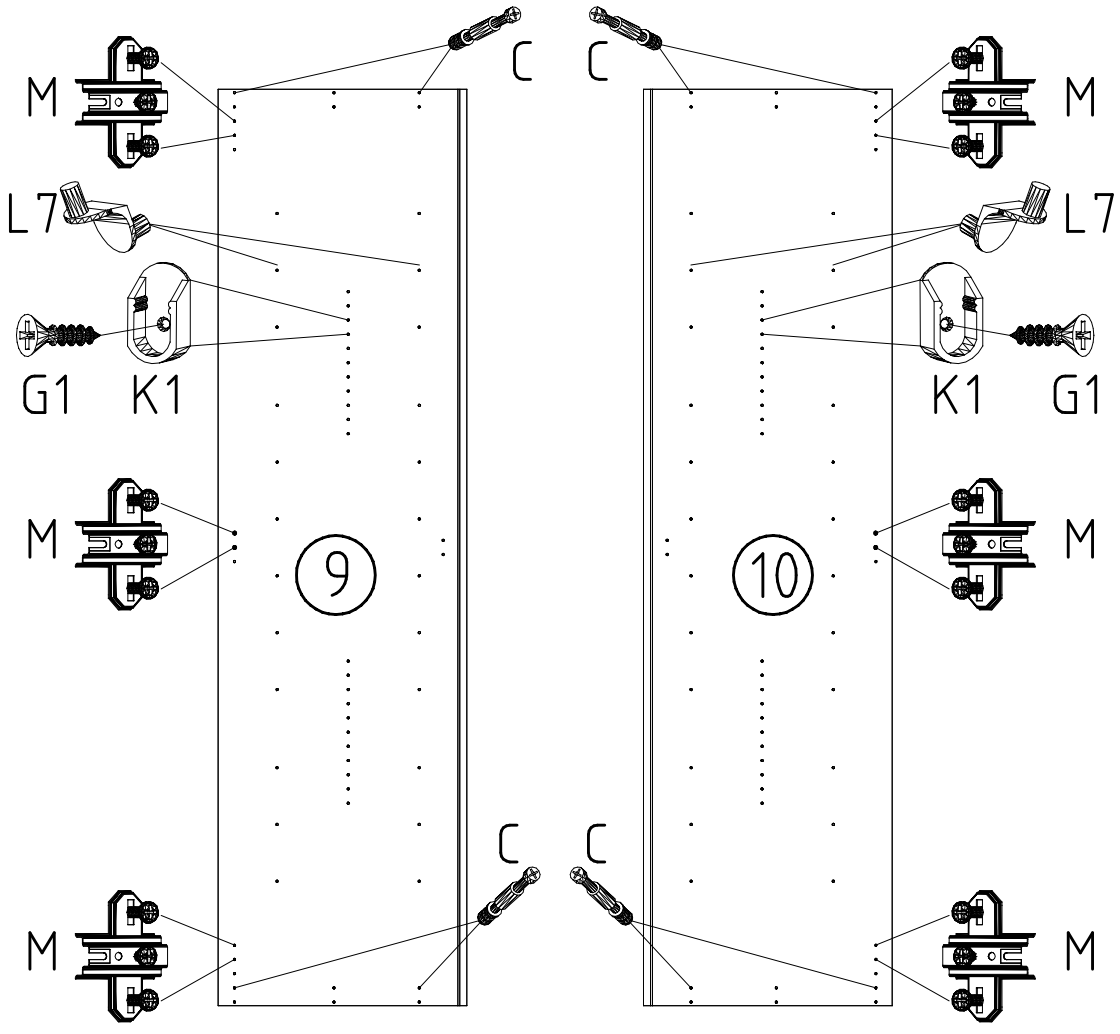
-  L7
- 111 610
-  
-  K1
- 117 001  
3,5 x 15 mm
-  G1
- 121 370
-  A
- 111 102
-  M
- 112 268



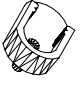


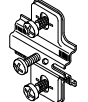
4



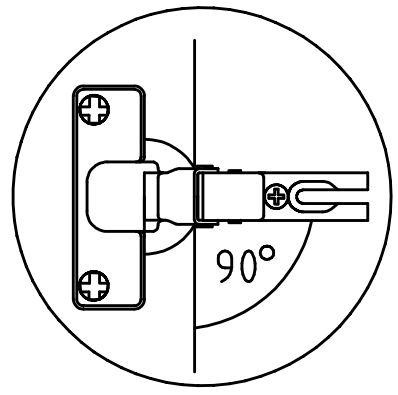
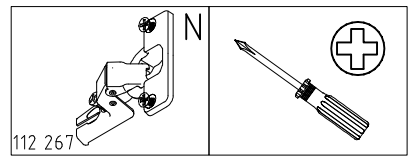
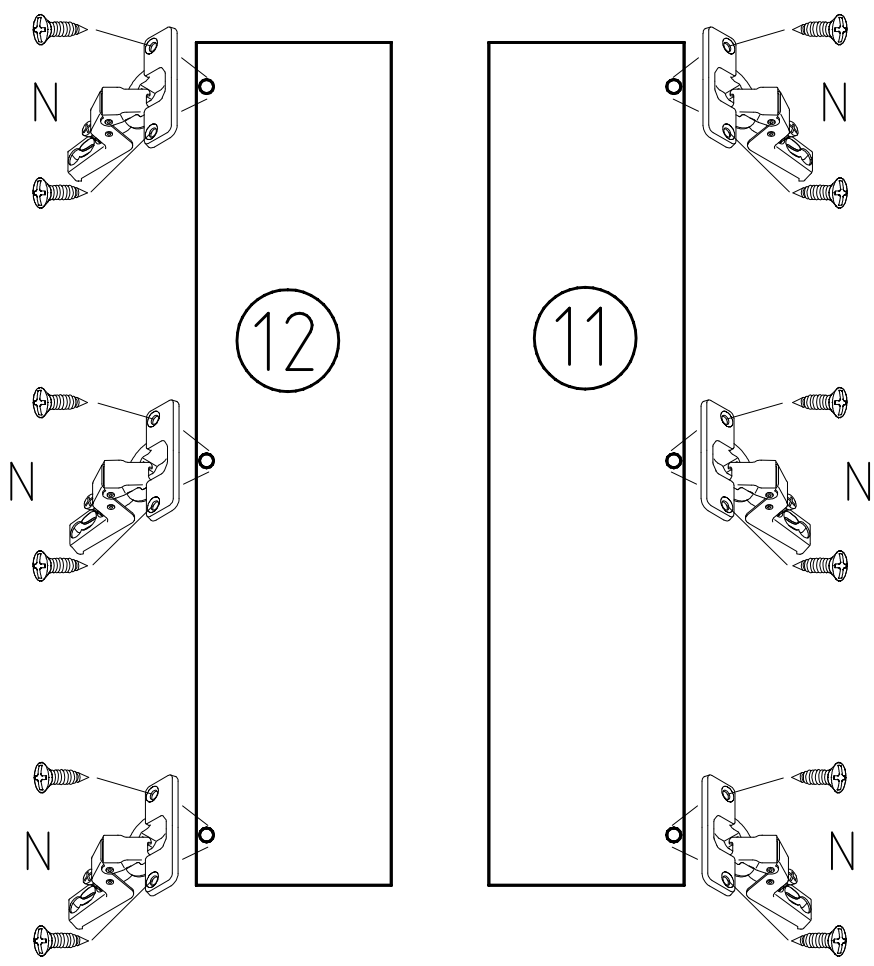
-  L7
- 111 610
-  
-  K1
- 117 001  
3,5 x 15 mm
-  G1
- 121 370
-  F3
-  M
- 112 268

5

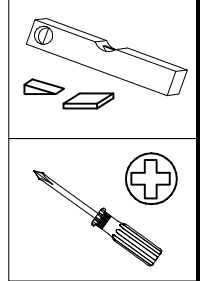
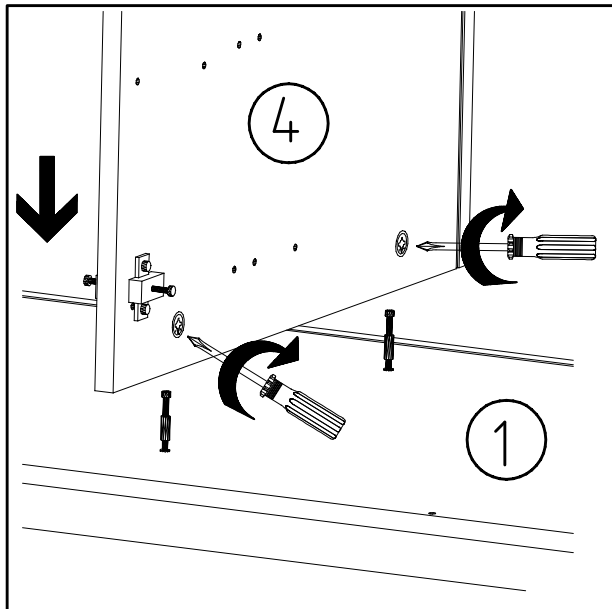
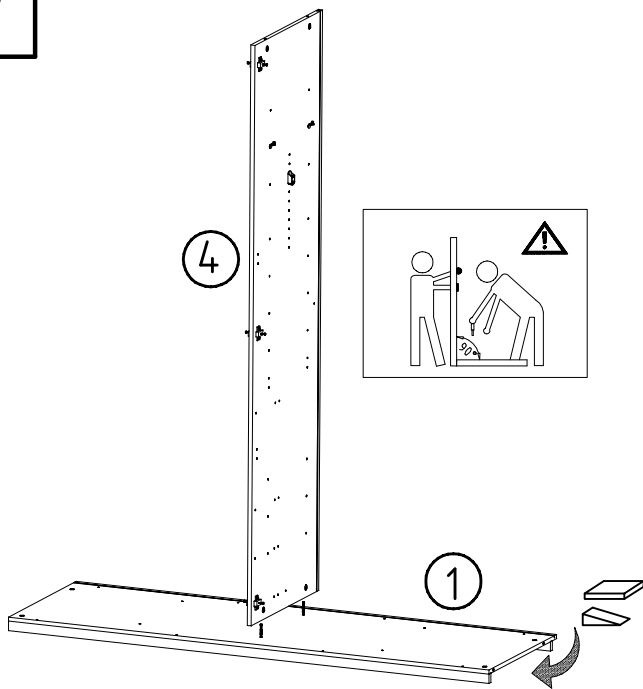


-  L7
- 111 610 
-  K1
- 117 001  
3,5 x 15 mm  G1
- 121 370  C
- 111 103  M
- 112 268

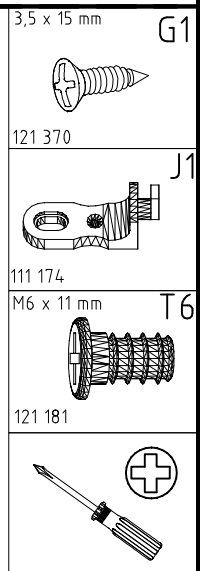
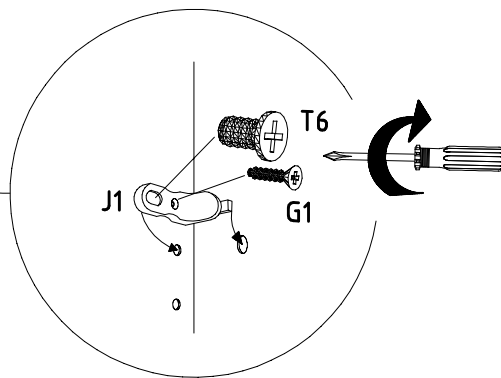
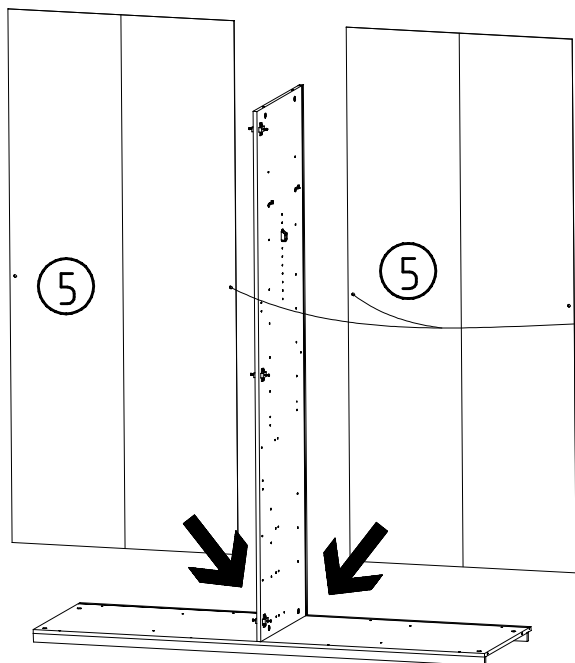
6



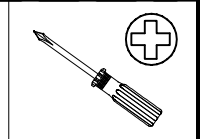
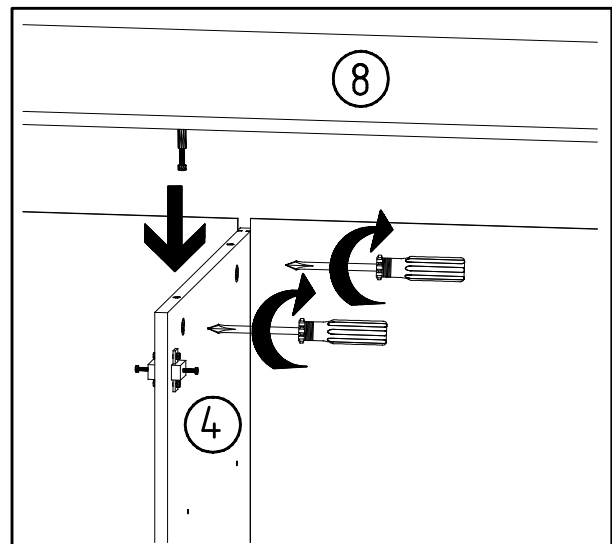
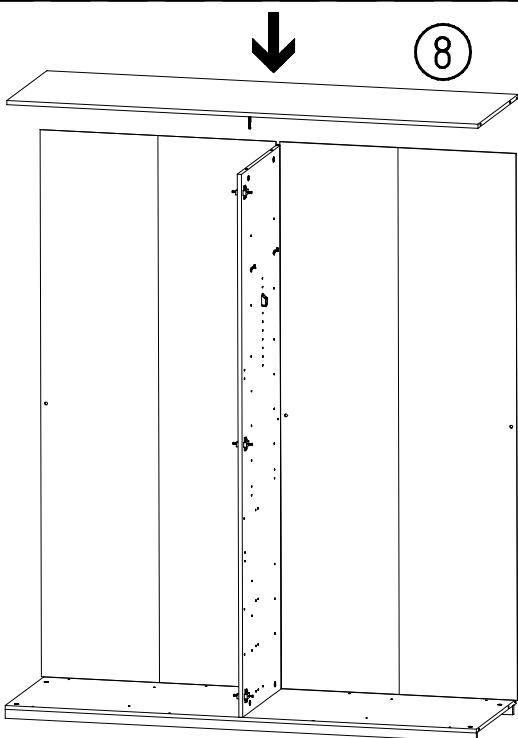
7



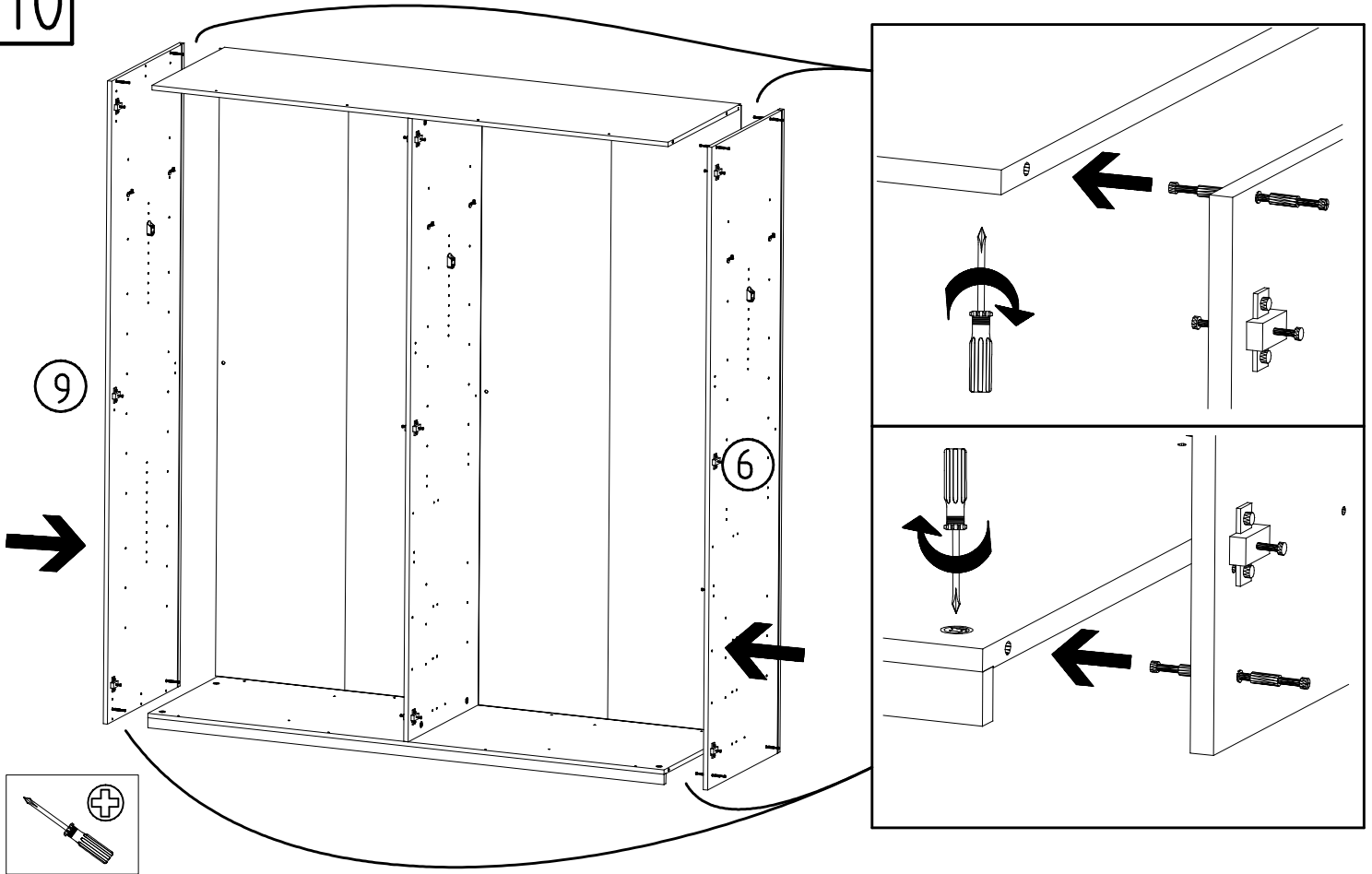
8



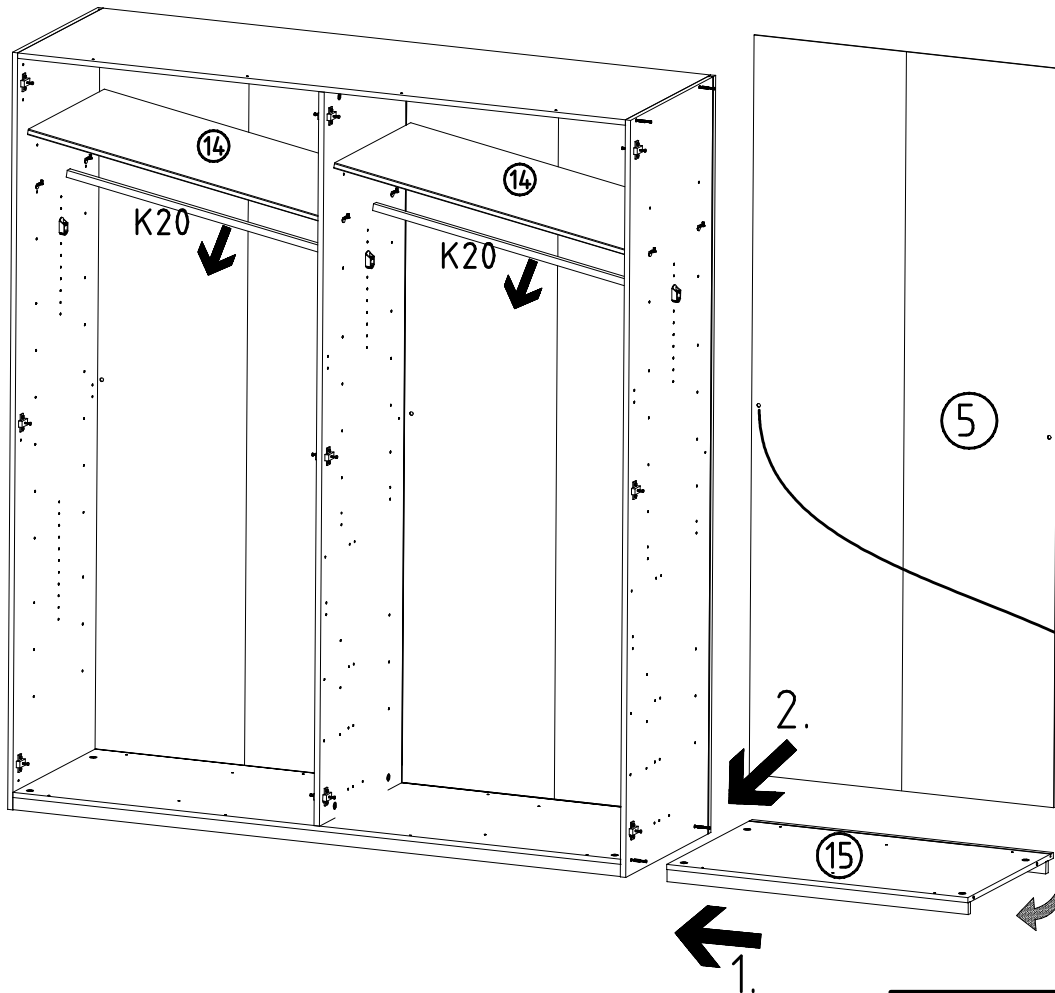
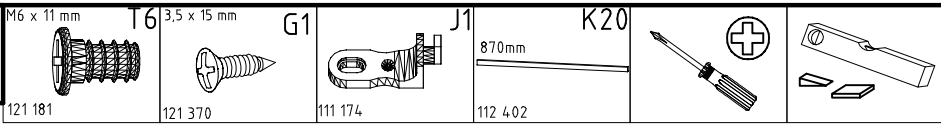
9



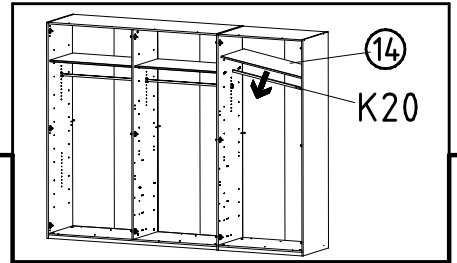
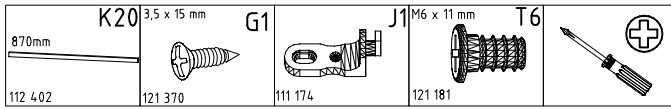
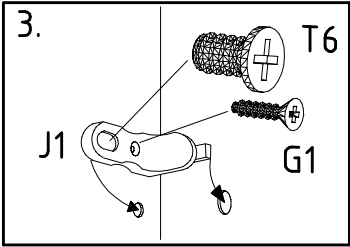
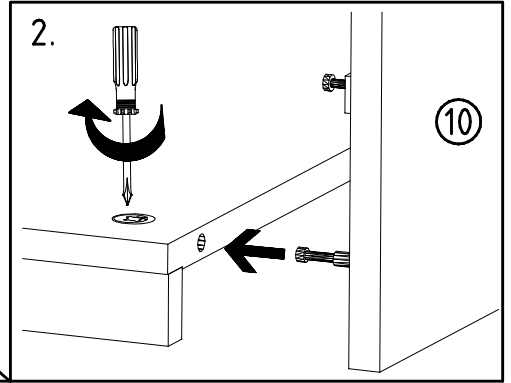
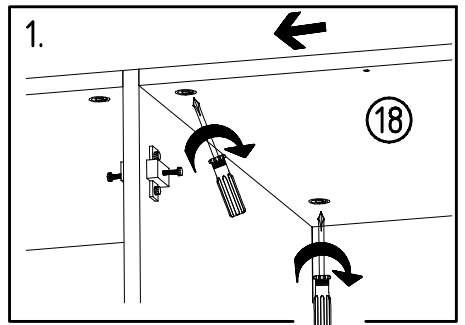
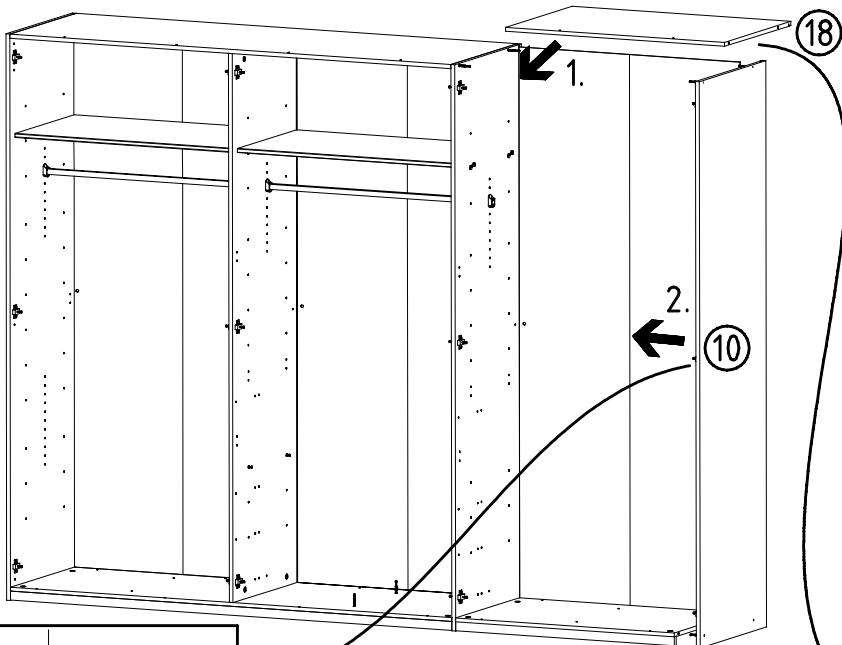
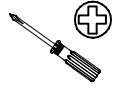
10



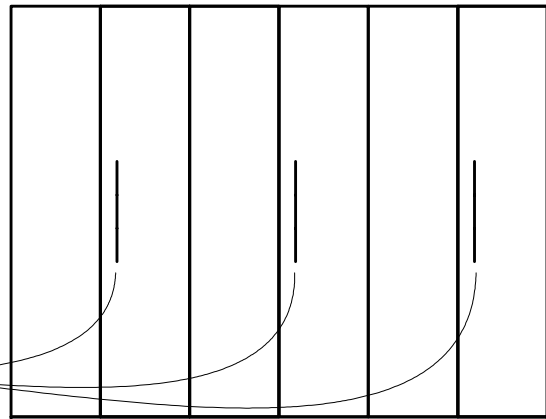
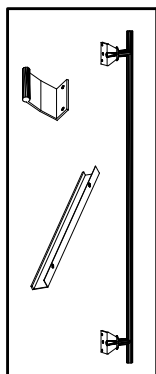
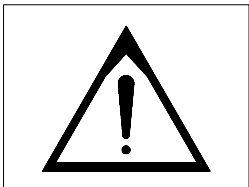
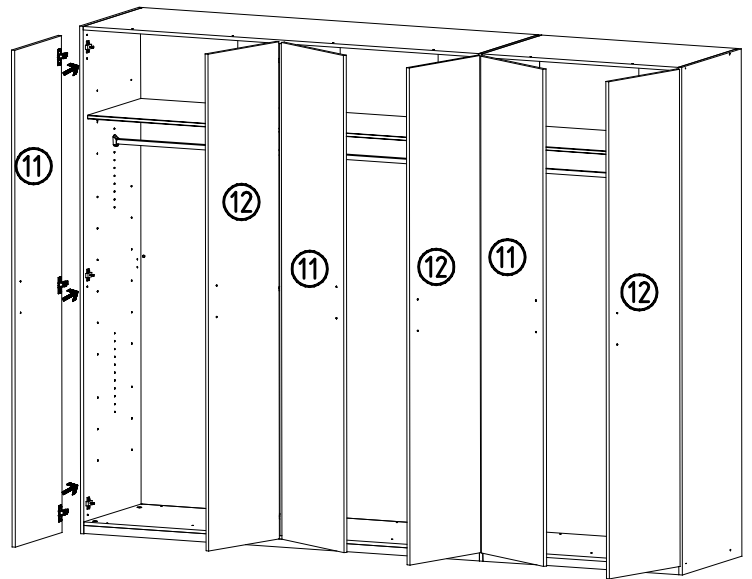
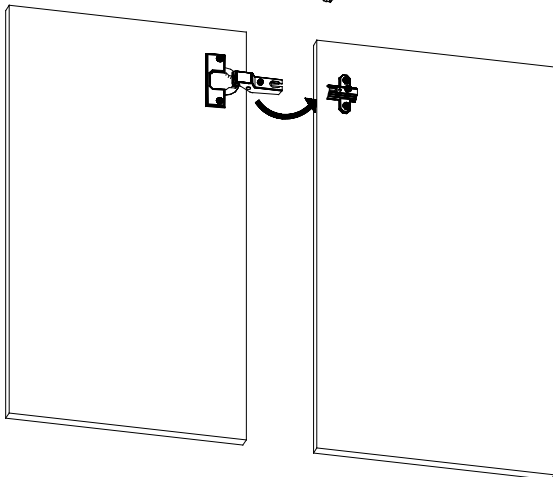
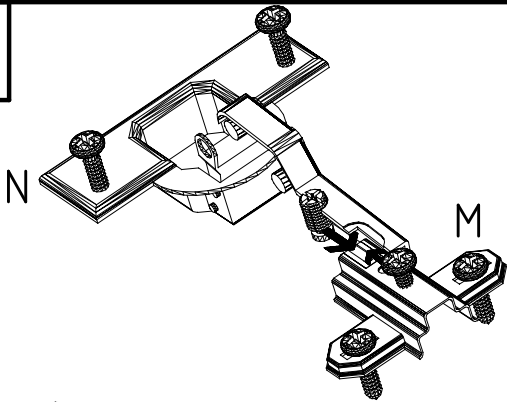
11

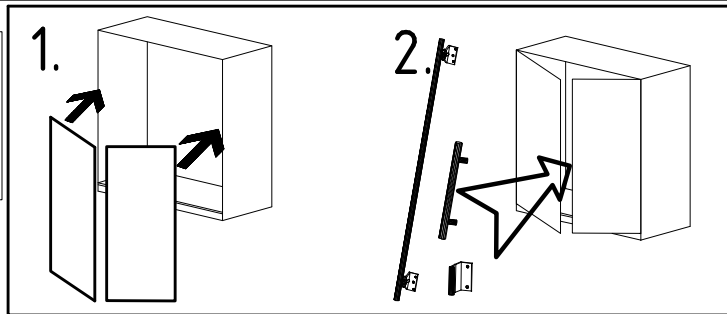
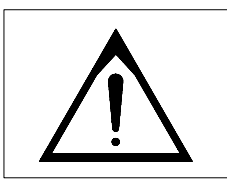


12

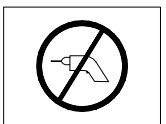
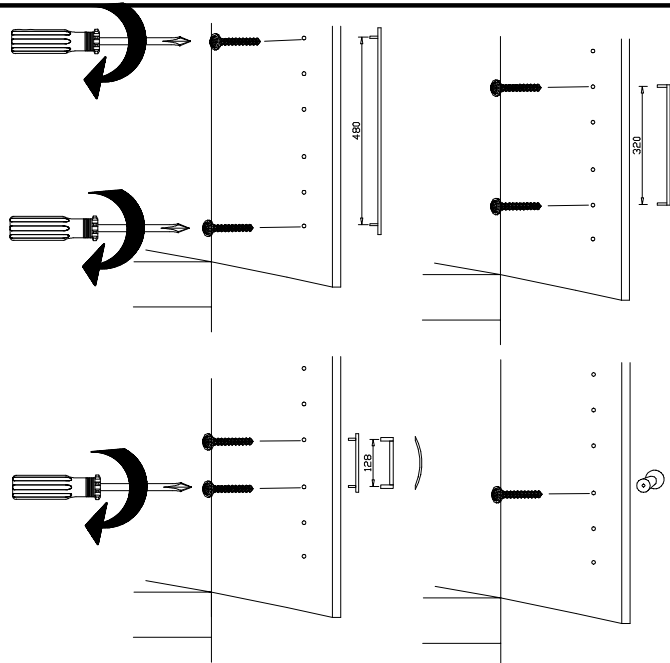
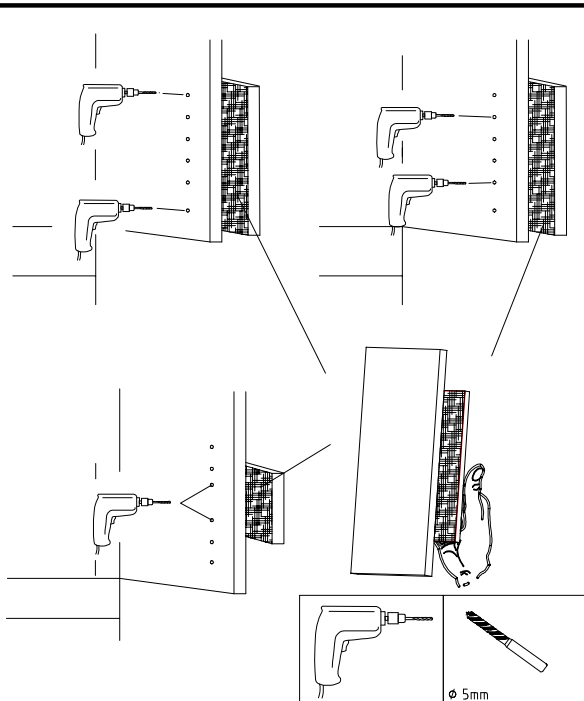
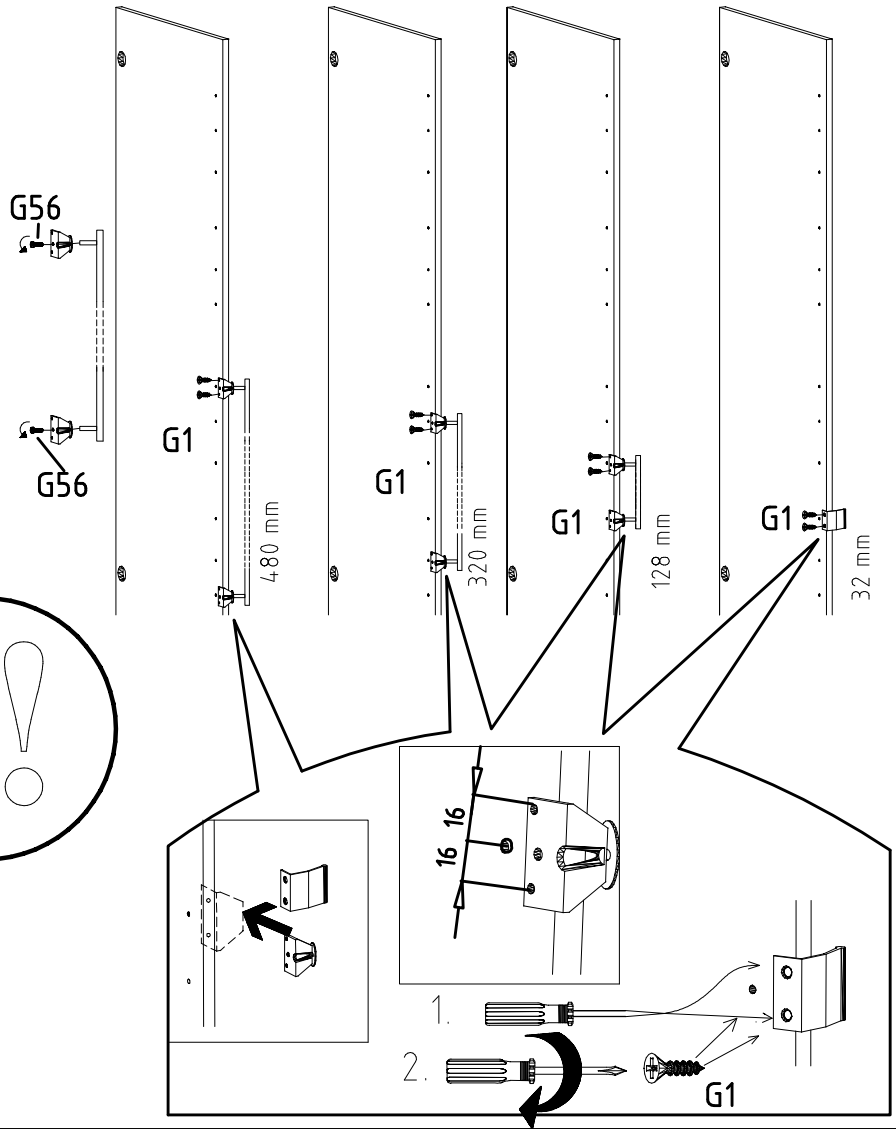
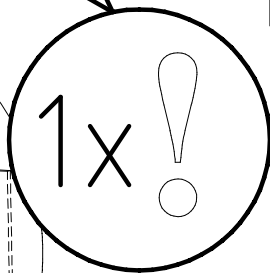
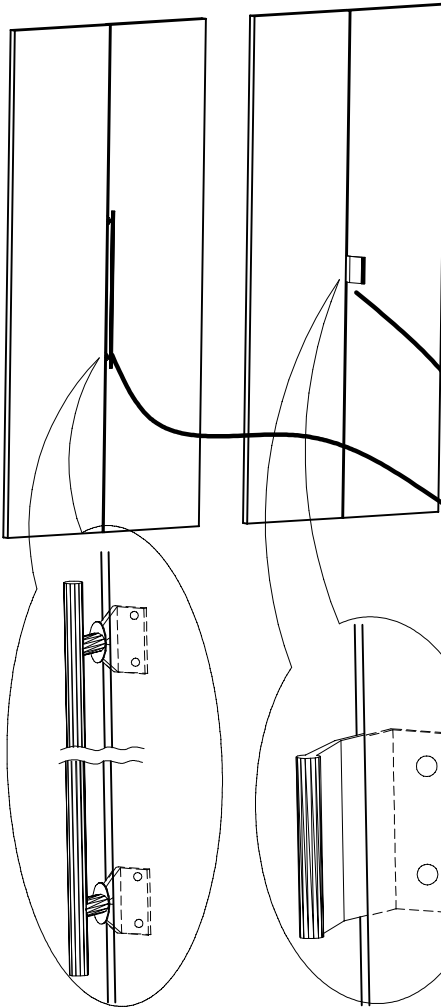


13





3,5 x 15 mm 121 370	G1	4,0 x 12 mm 122 625	G56
------------------------	----	------------------------	-----



	SP27
4 X 27mm	
122620	
4,0x22	G49
122 609	