

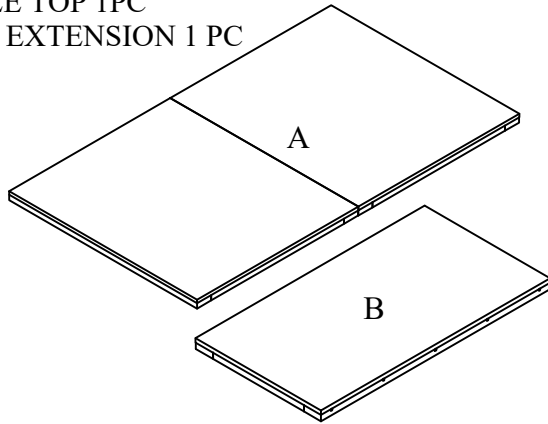
EXTENSION TABLE ASSEMBLY INSTRUCTIONS

PARTS PACKING CONFIGURATIONS

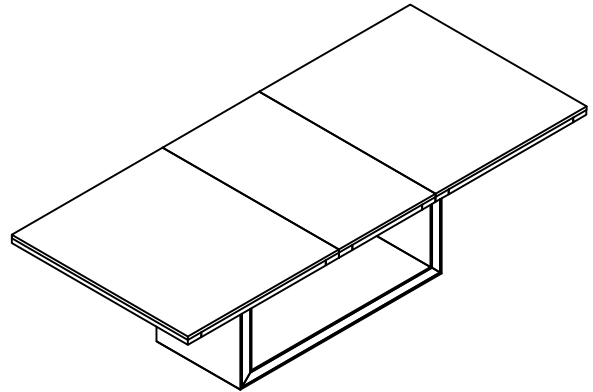
BOX #1:

A. TABLE TOP 1PC

B. LEAF EXTENSION 1 PC

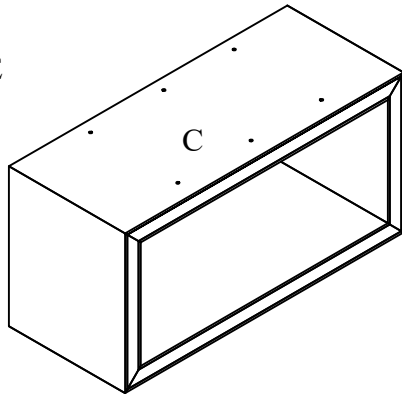


**EXTENSION TABLE FULLY
ASSEMBLED**







BOX #2:

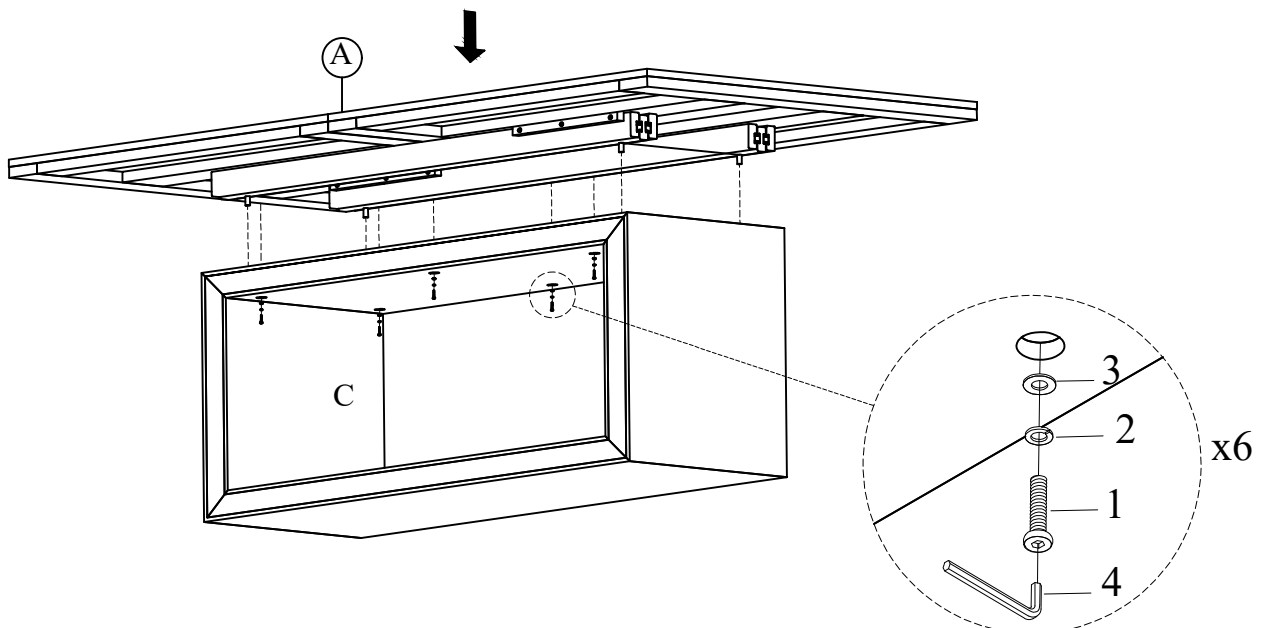
C. TABLE BASE



HARDWARE PACKED IN BOX #2

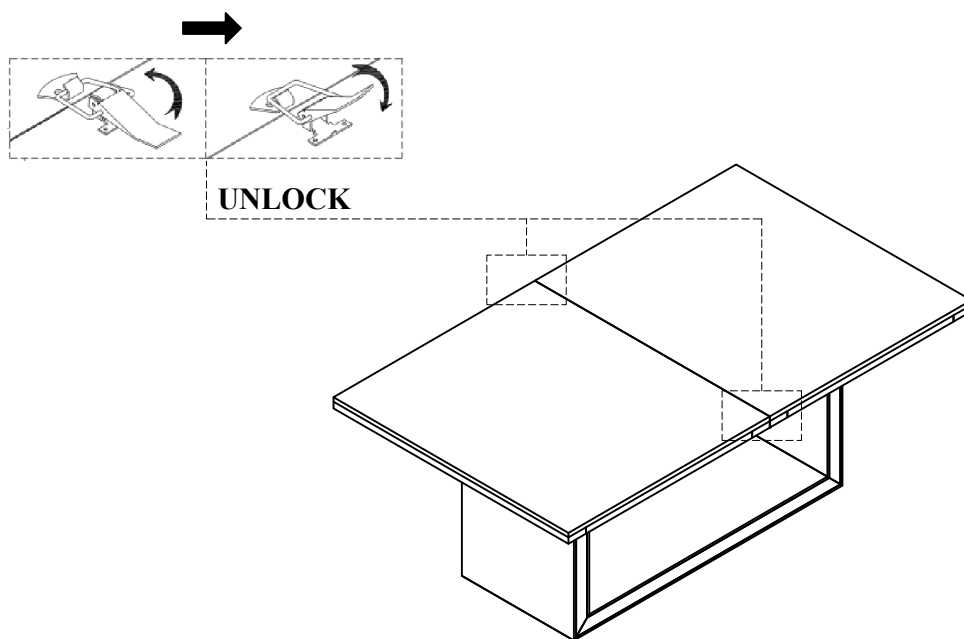
1	ALLEN BOLT (M8X70)		6 PCS
2	SPRING WASHER (M8)		6 PCS
3	FLAT WASHER (M8)		6 PCS
4	ALLEN KEY		1PC

STEP 1: ATTACH TABLE TOP (A) TO THE TABLE BASE (C) USING SIX ALLEN BOLTS (1), SPRING WASHERS (2) AND FLAT WASHERS (3). TIGHTEN COMPLETELY WITH THE PROVIDED ALLEN KEY (4). WASHER (3), SPRING WASHER (2), ALLEN BOLT (1) AND SECURE WITH ALLEN KEY (4).

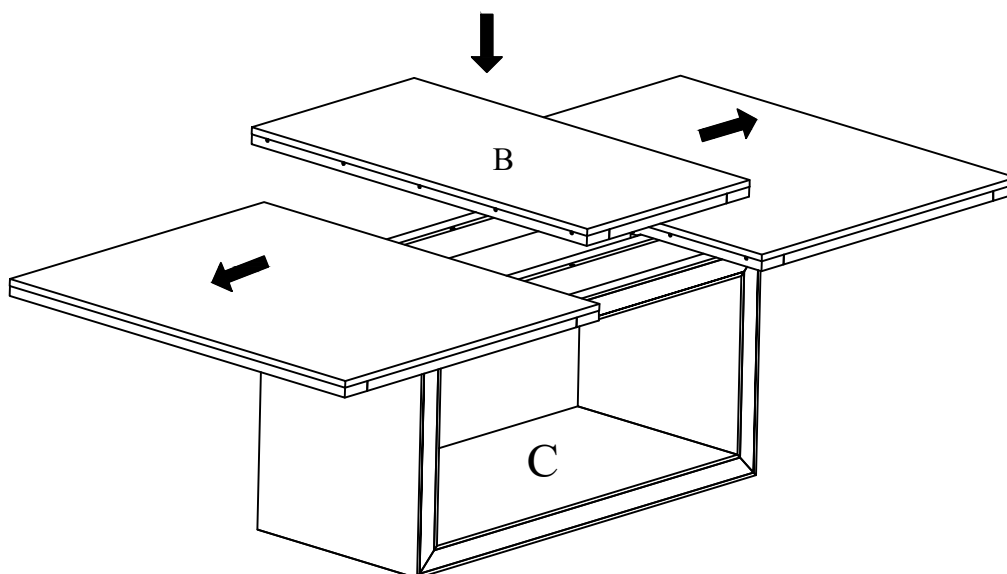


EXT TABLE ASSEMBLY INSTRUCTIONS

STEP 2: TO INSERT THE LEAF EXTENSION (B), WITH THE HELP OF A SECOND PERSON, SEPARATE THE TABLE HALVES BY UNCOUPLING THE BRACKETS ON THE UNDERSIDE OF THE TABLE AND PULL APART.

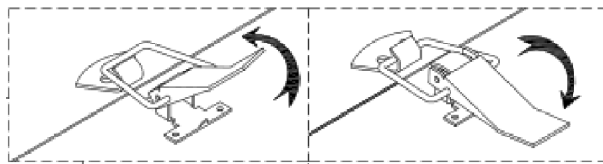


STEP 3: INSERT THE LEAF EXTENSION INTO THE TABLE TOP.



EXT TABLE ASSEMBLY INSTRUCTIONS

STEP 4: PUSH THE TABLE HALVES BACK TOGETHER AND RECOUPLE BRACKETS ON THE UNDERSIDE OF THE TABLE.



LOCK

