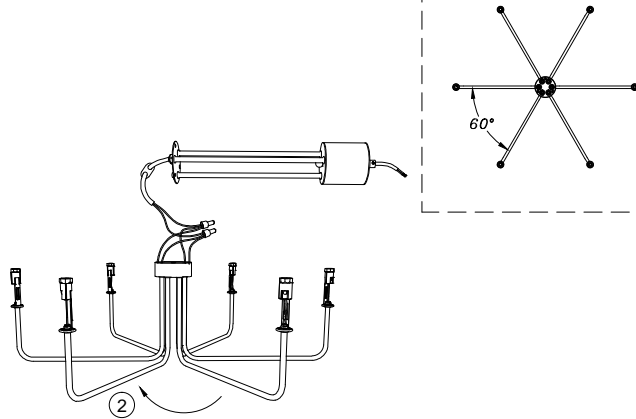
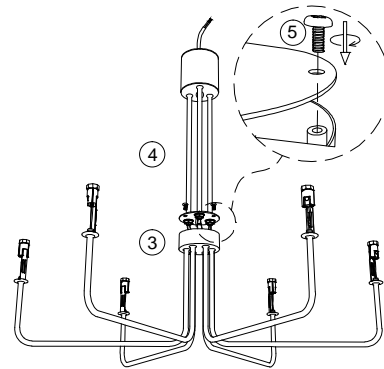


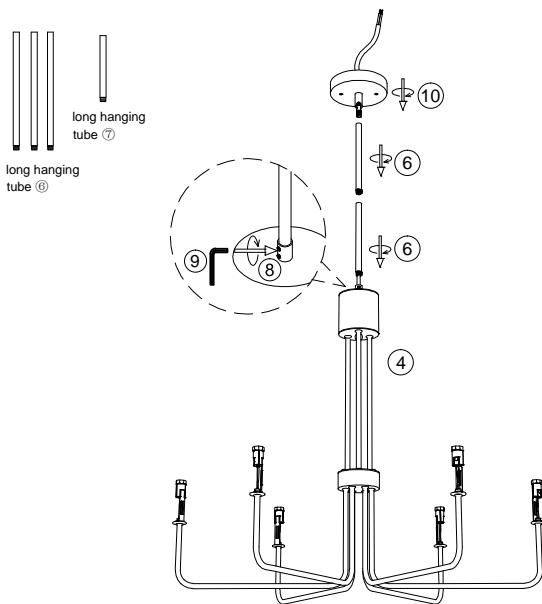
1. Install the arms ② on the light fixture ③ with lock nut & teeth lock washer ①.
(Be carefully when install the arms to avoid damaged the wires!!!)



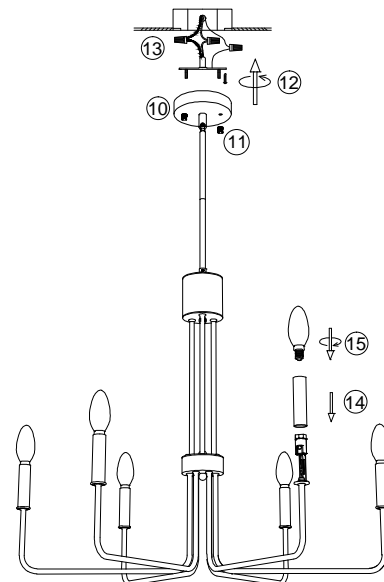
2. Adjust the arms ② to right position like picture showed.
(If the arms not tighten enough, please back to step 1 to lock the nuts and washers again.)



3. Make sure that all the wires in the box ③, after that install the topper part ④ on the light fixture with screw ⑤.
(Fistly only put the screw ⑤ on the holes but no tighten, when all 3 screws are on the holes, then make it fasten finally.)



4. Let the wire go through hanging tube ⑥, rotate to install the tube ⑥ on the light fixture ④, after that lock it with grub screw ⑧ (use hex key ⑨), let the wire go through canopy ⑩, rotate the canopy ⑩ to the fixture.
(Can connect more tubes to get suitable height.)



5. Install the bracket to the junction box with screw ⑫.
6. Connect the wire to your home line.
7. Install the fixture to the bracket with with cap nut ⑪.
8. Put the cylinder tube ⑭ on the bulbholder and install the bulb ⑮.

Please read carefully before installation!!!

Note : Please make sure that the electricity is powered off during installation !

Only a professional electrician should install this kind of product !