



Warnings and Cautions

Please retain this instruction for future usage and read carefully before assembly.

Make sure you have all the parts & hardware as item list shows.

***2 adults or more** are recommended to install your gazebo.*

Do not discard any of the packaging until you have checked that you have all the parts and pack of fittings.

Check all bolts for tightness before use, and periodically check and tighten bolts ensure your gazebo works properly.

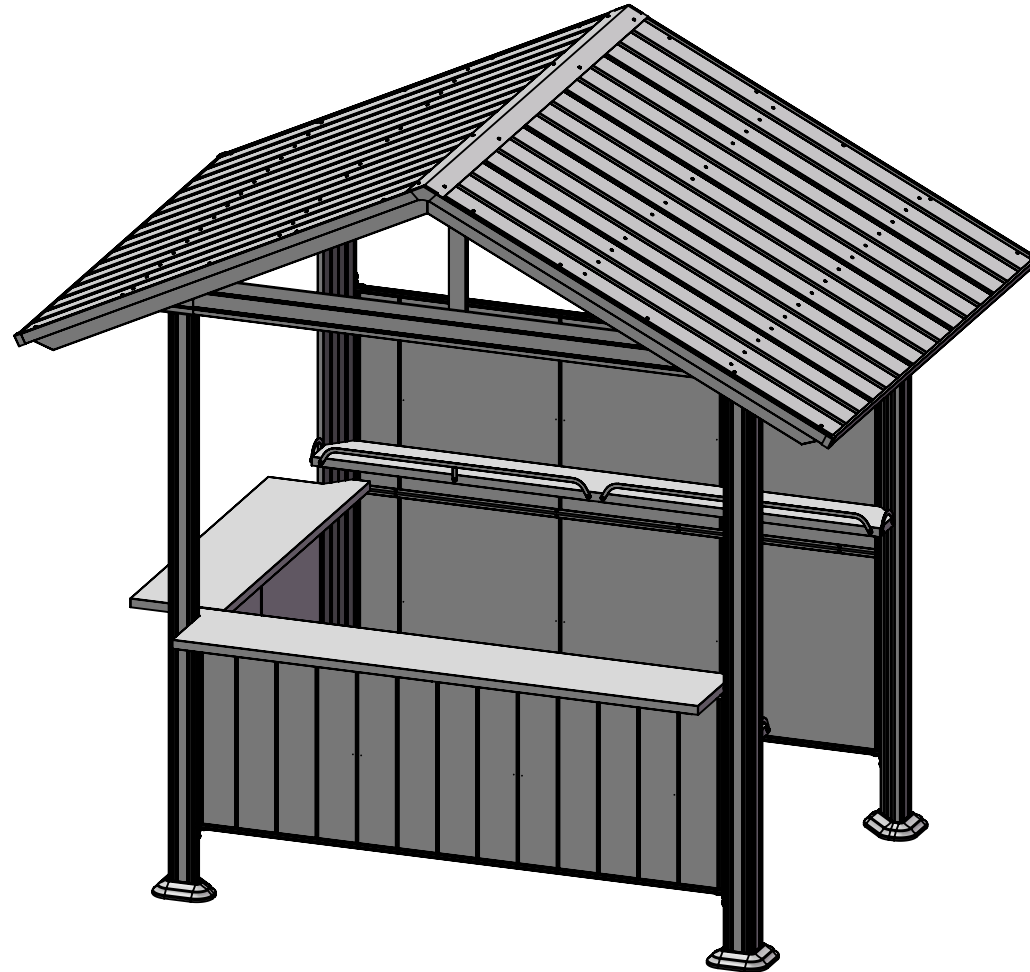
Some parts might have sharp edges/corners. Please follow basic safety precautions to reduce the risk of hurts.

*Maximum weight capacity is **1000 pounds**.*

*It is essential to place the gazebo on level ground and not less than **6 feet** from any obstruction such as fences, garages, the house, overhanging branches, laundry lines, or electrical wires.*

If you have questions or concerns.

*Please contact us via email at **service@domioutdoorliving.com***



9.4'x6.2'

SKU:LGCF1740

METAL GRILL GAZEBO

Assembly Manual

Thank you for your purchase of

Domi outdoor living's Gazebo

Read and follow this assembly and operation guide.

To reduce personal injury and damage to your gazebo

We recommend a **two-person team** for assembly and disassembly.

If you like our products, please tell other customers

If you have prbblem with our products, please tell us

Please feel free to contact us.

DOMI OUTDOOR LIVING

domi
outdoor living

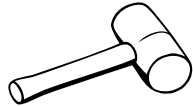
Pre-assembly

TOOLS THAT MAY BE REQUIRED (Not included in boxes)

*NOTE: Tools / equipment are not shown to actual size and scale.



LEVEL



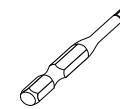
RUBBER Mallet



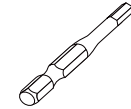
PHILLIPS SCREW



DRILL



ALLEN KEY



ALLEN KEY

EQUIPMENT REQUIRED (Not included in boxes)

*NOTE: Equipment are not shown to actual size and scale.



SAFETY HAT



GLOVES



SAFETY GOGGLES



STEPLADDER

IMPORTANT

The construction of a gazebo may require a municipal permit or be subject to specific building codes. It is the responsibility of the consumer to check and ensure compliance with any local regulations or restrictions before proceeding with assembly.

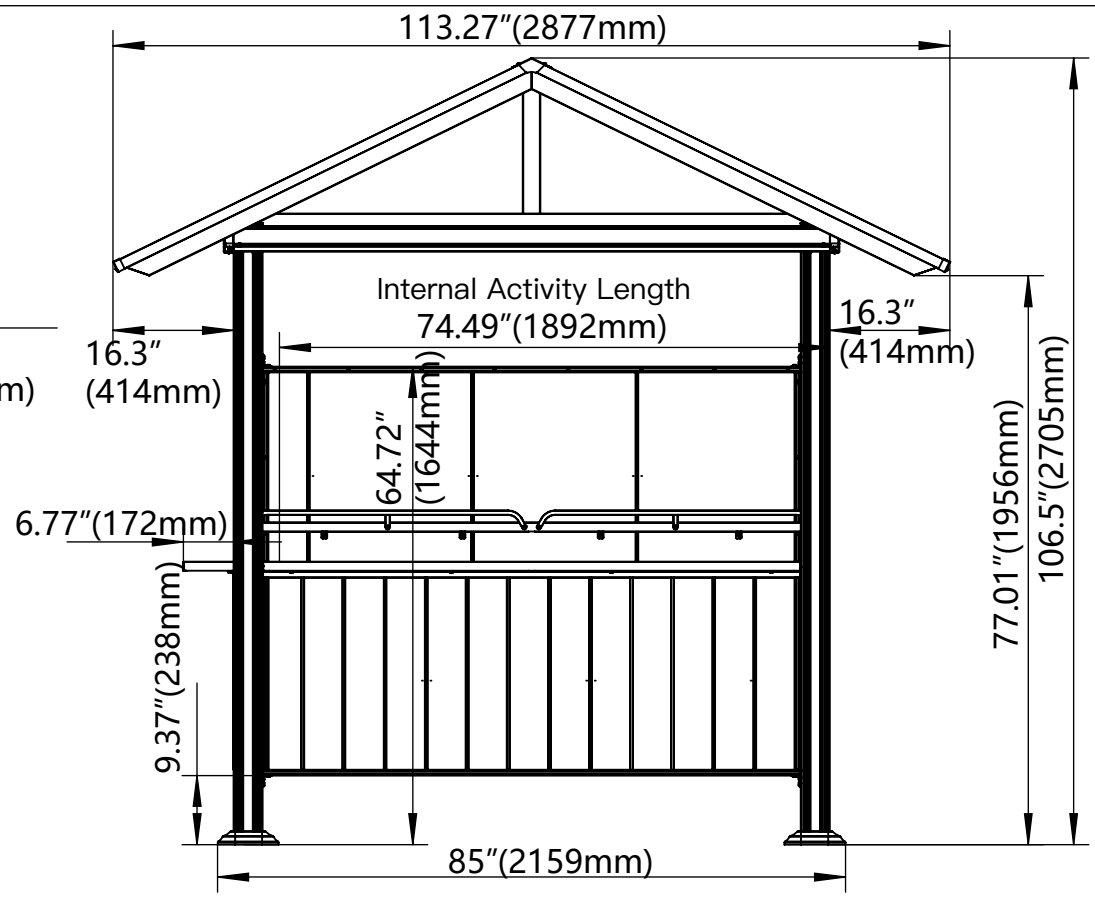
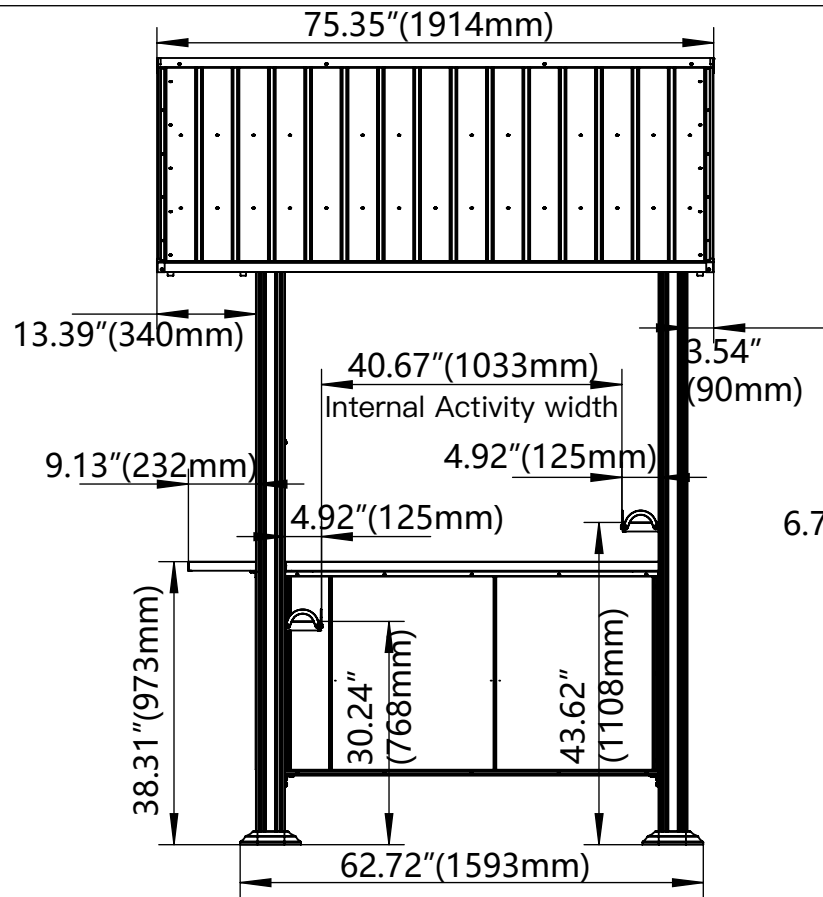
Matters needing attention

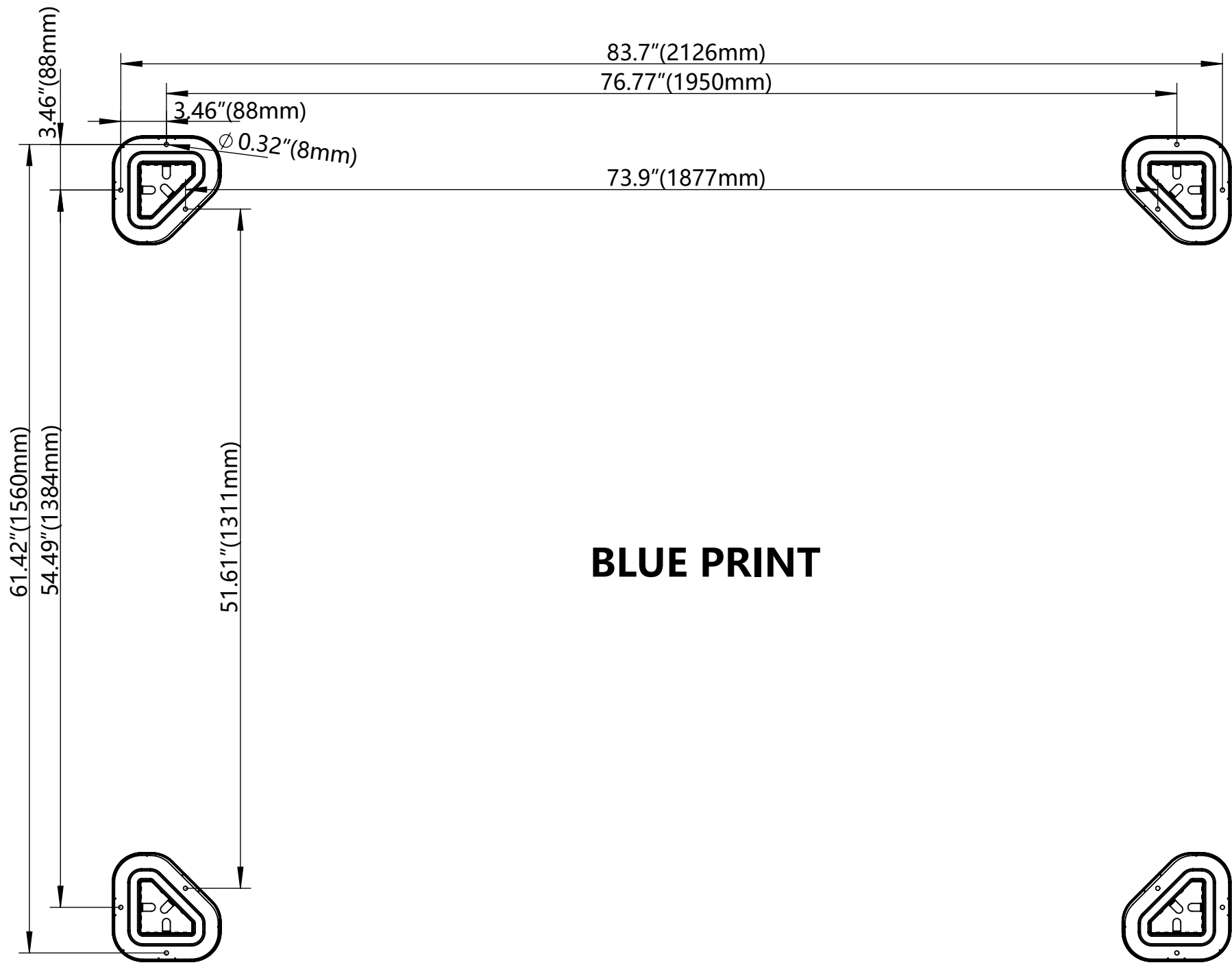


1. Two or more people are required for assembly.



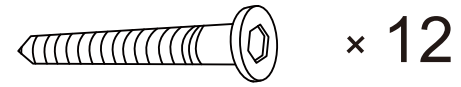
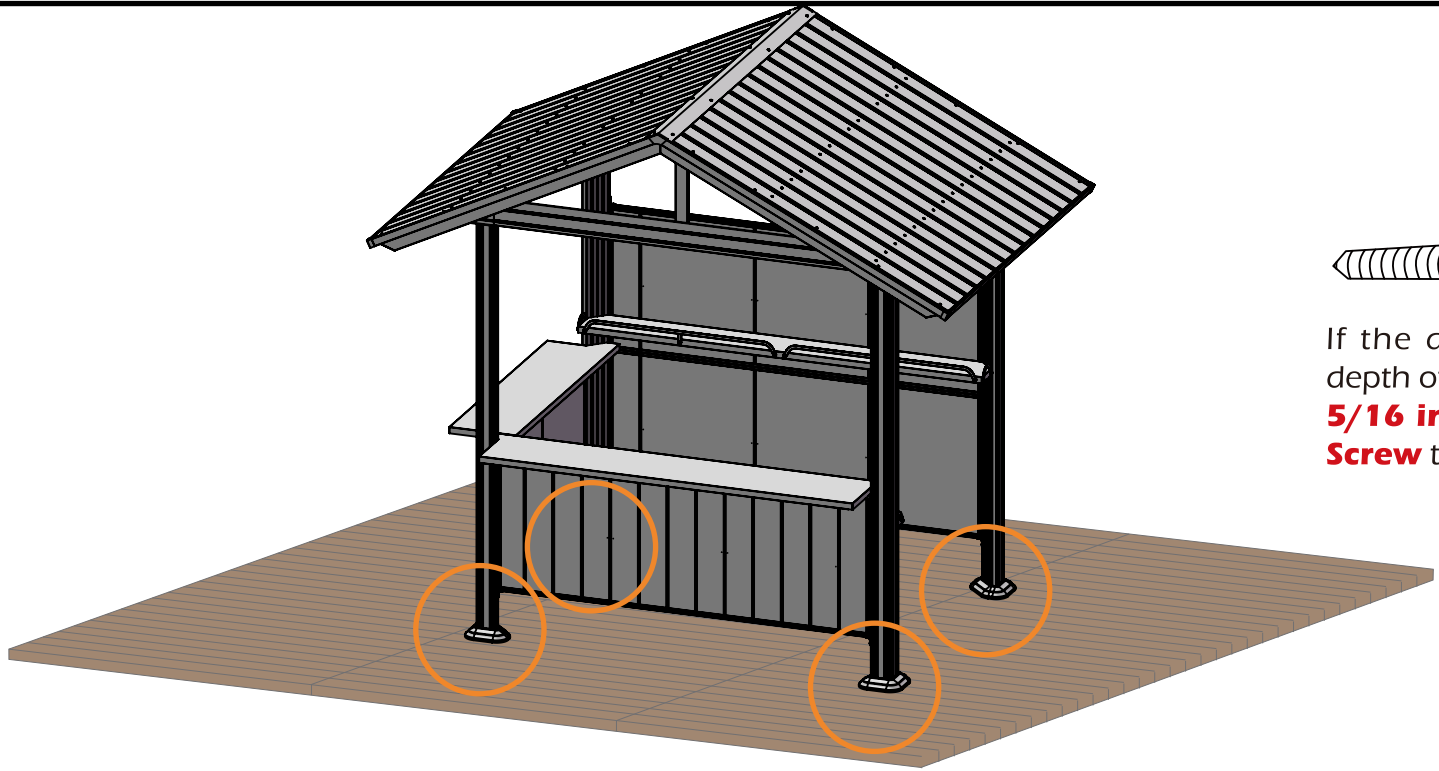
2. Do not fully tighten screws prior to complete assembly.



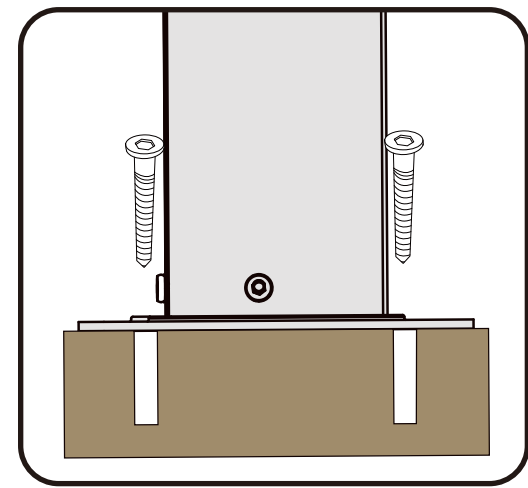
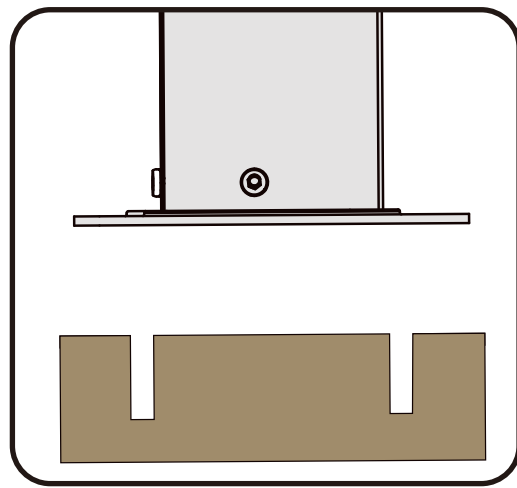


BLUE PRINT

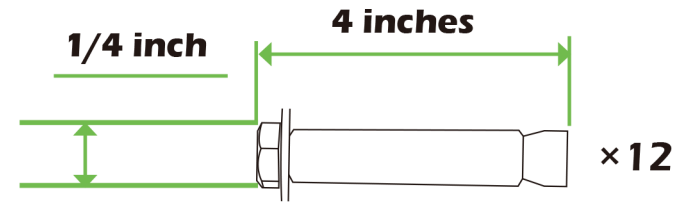
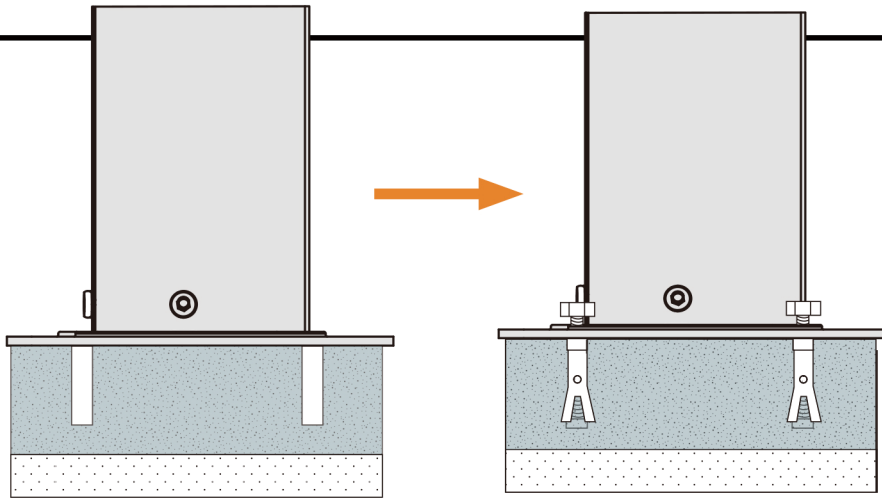
1



If the deck is hard wood and the depth of it is over 3 inch, you can use **5/16 in. x4 in. Structural Wood Screw** to mount the pergola.

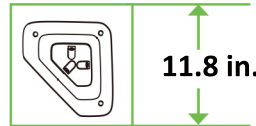


2

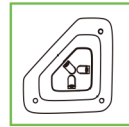


If the ground is concreted and the depth of it is over 3 inch, you can use 1/4 inch expansion bolts to mount the gazebo

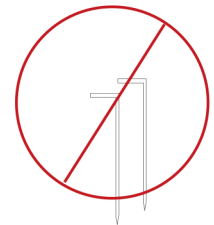
3

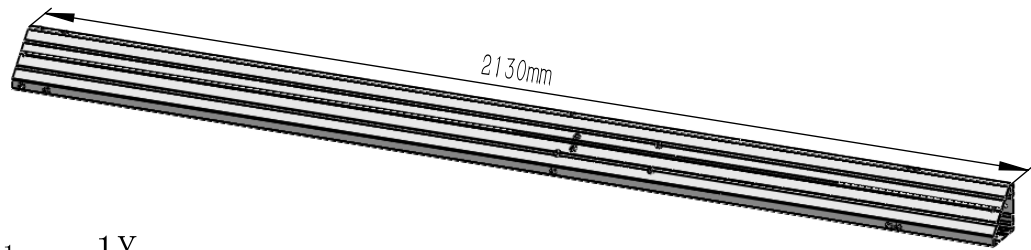


Or you can make a concrete footing for gazebo, **11.8×11.8×11.8 inches** is recommended. Use expansion bolts to mount the gazebo like ② shows.

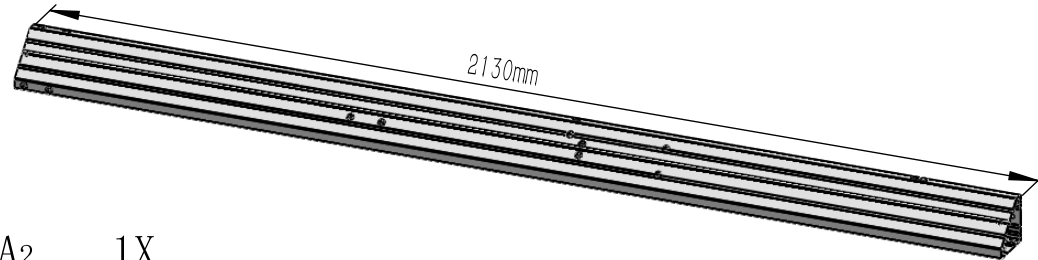


IMPORTANT:
Anchor is not recommended

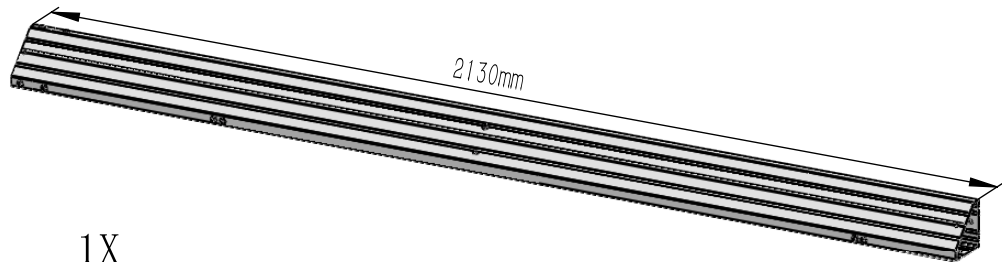




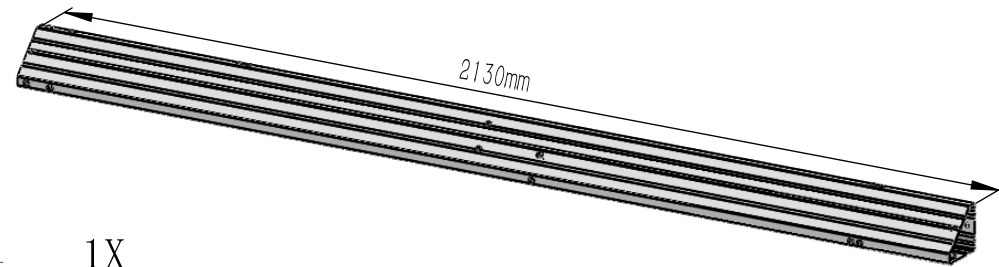
A1 1X



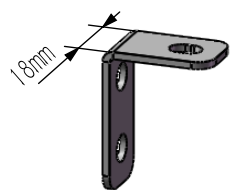
A2 1X



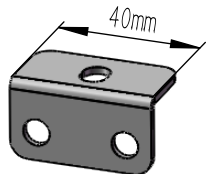
A3 1X



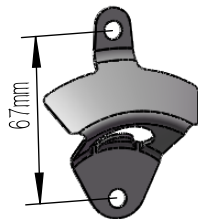
A4 1X



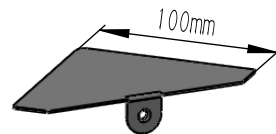
A5 8X



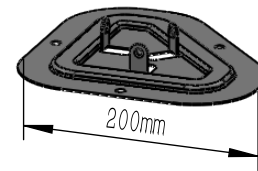
A6 2X



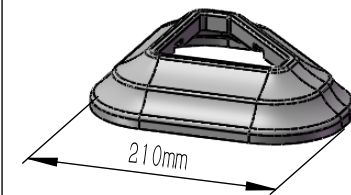
A7 1X



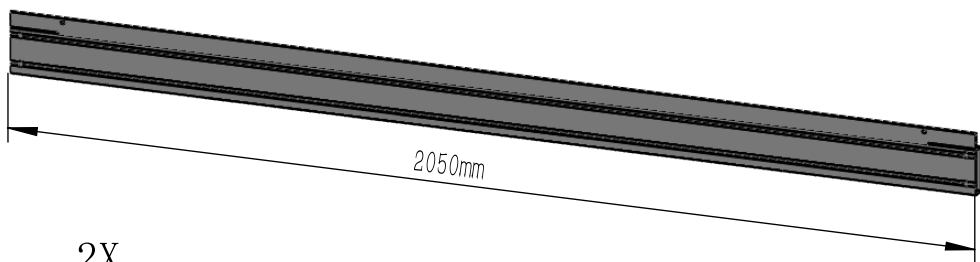
A8 4X



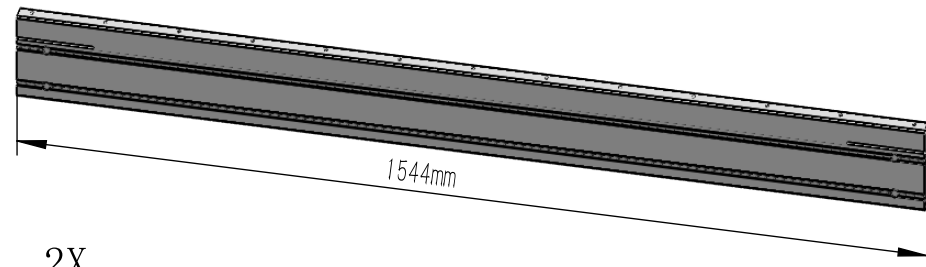
A9 4X



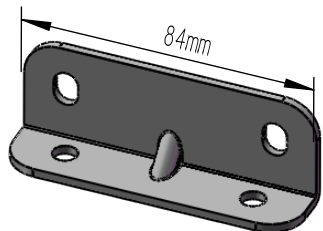
A10 4X



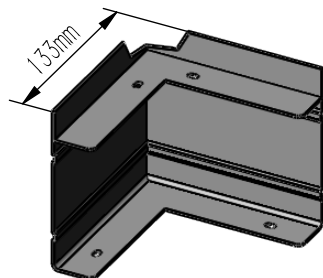
B1 2X



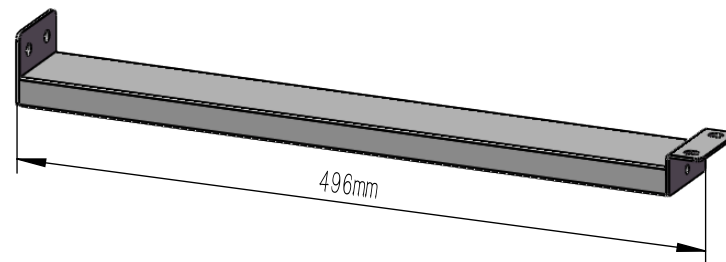
B2 2X



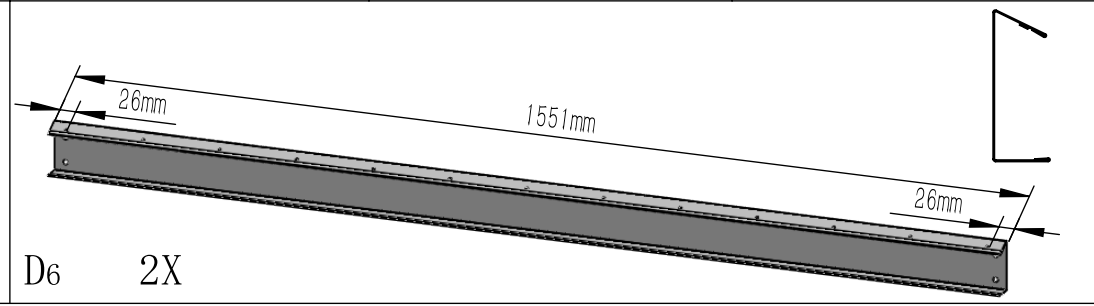
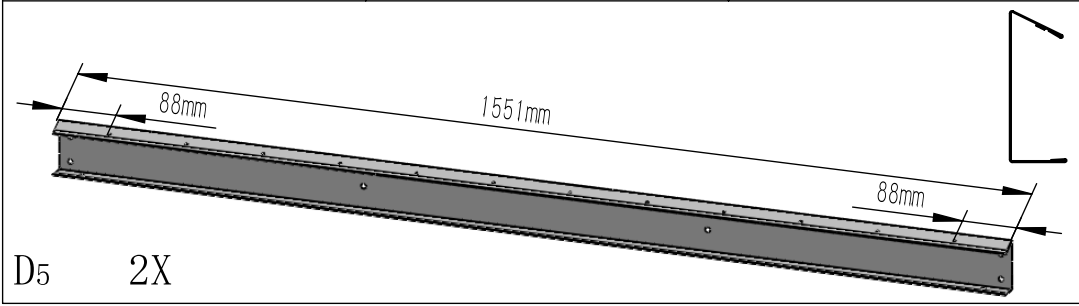
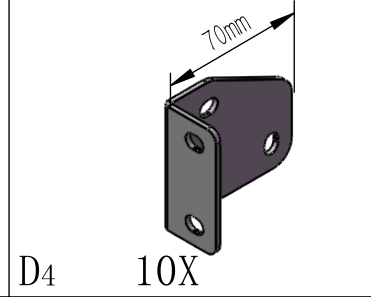
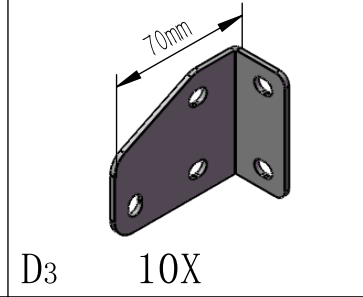
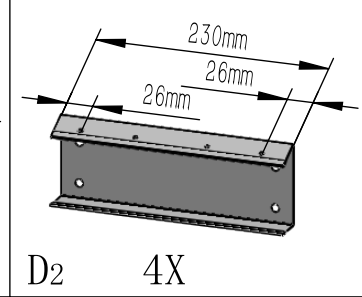
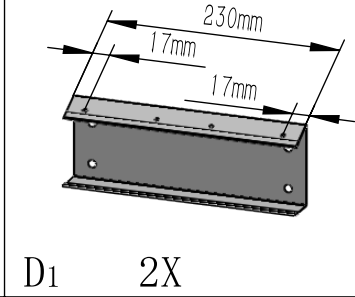
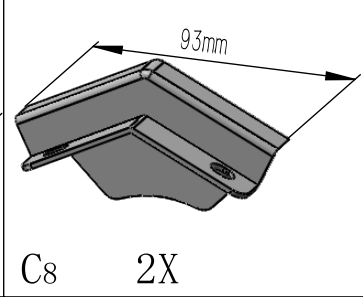
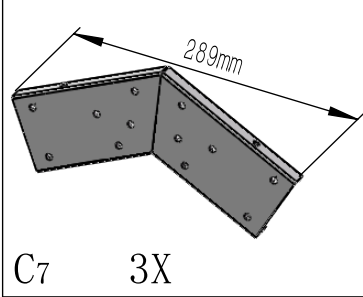
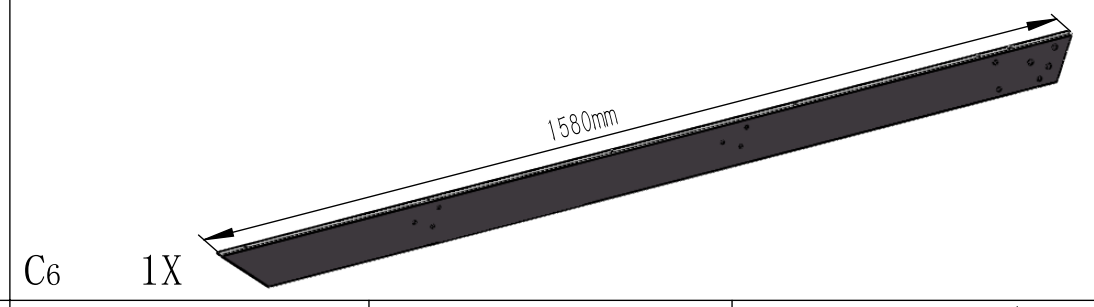
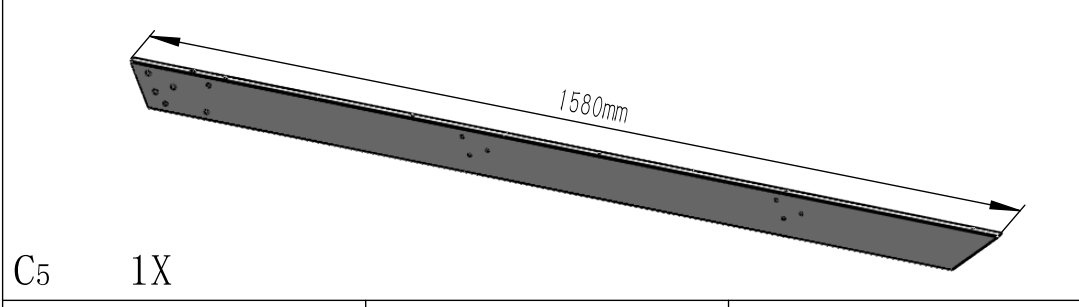
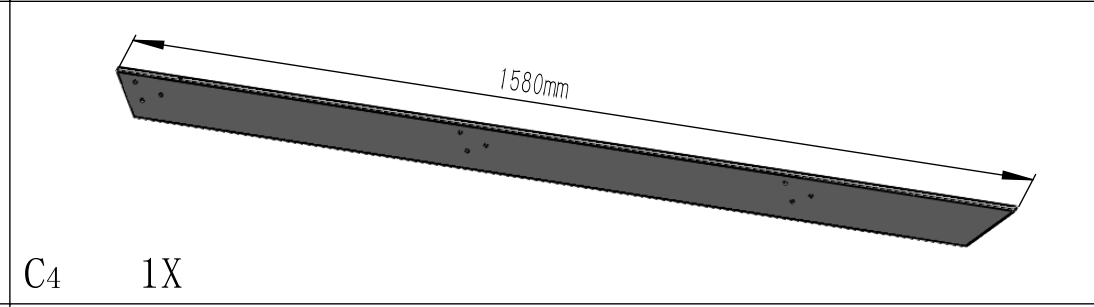
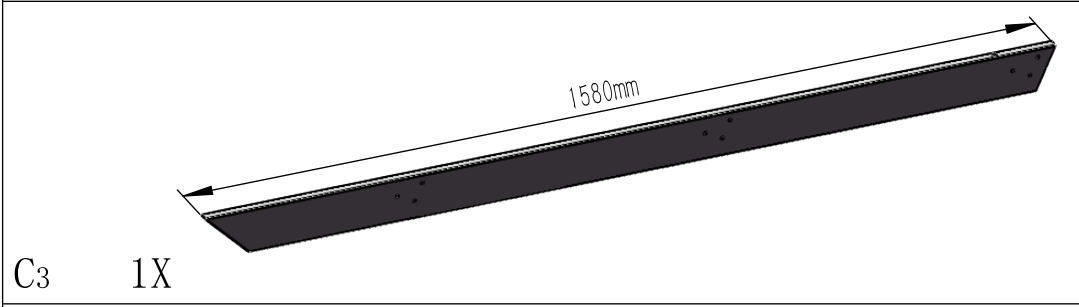
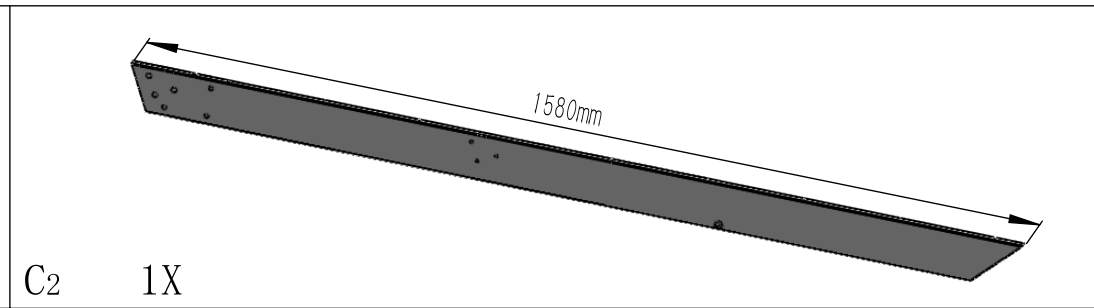
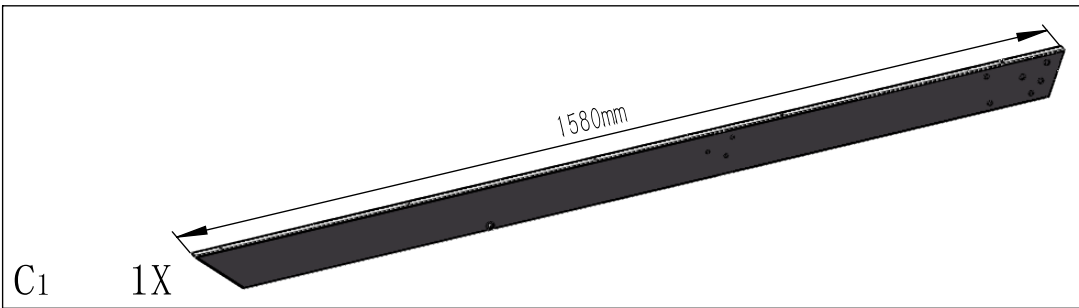
B3 8X

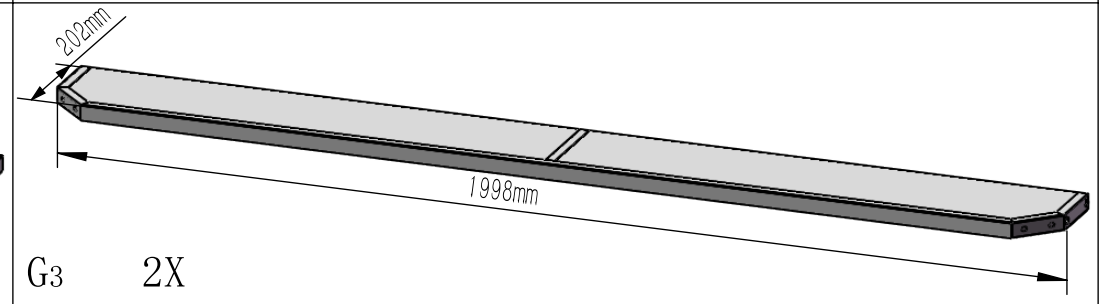
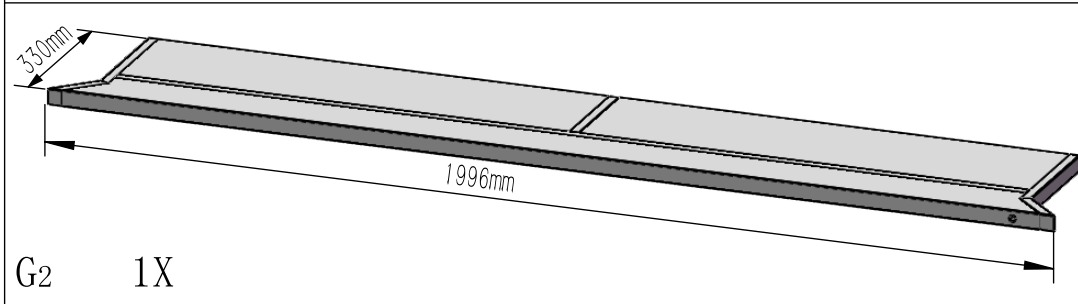
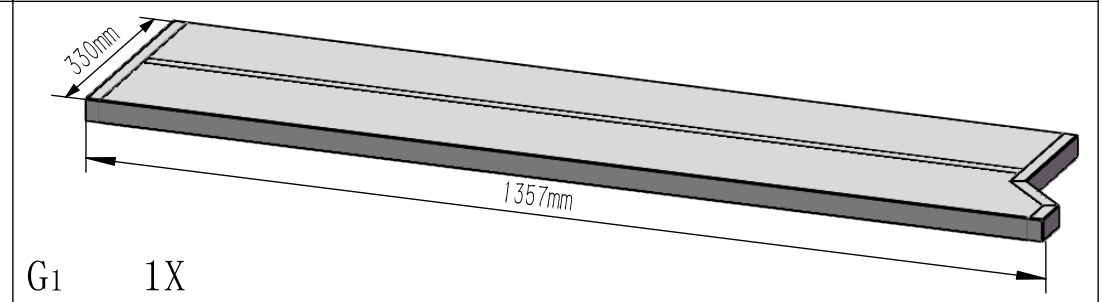
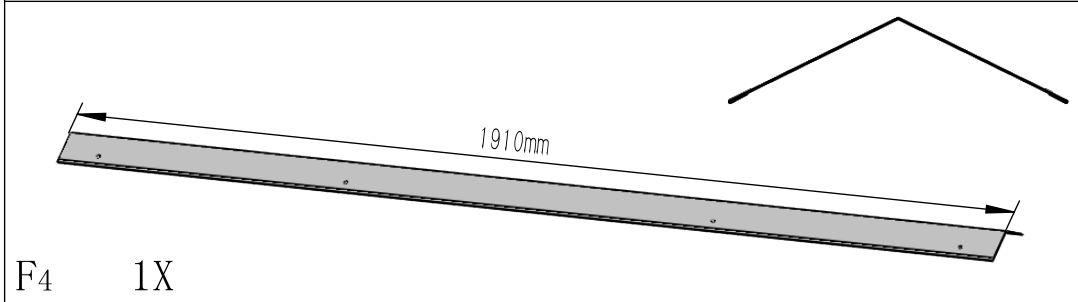
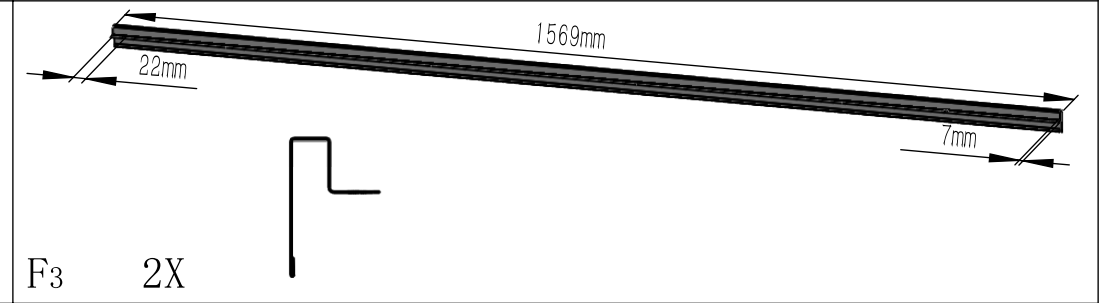
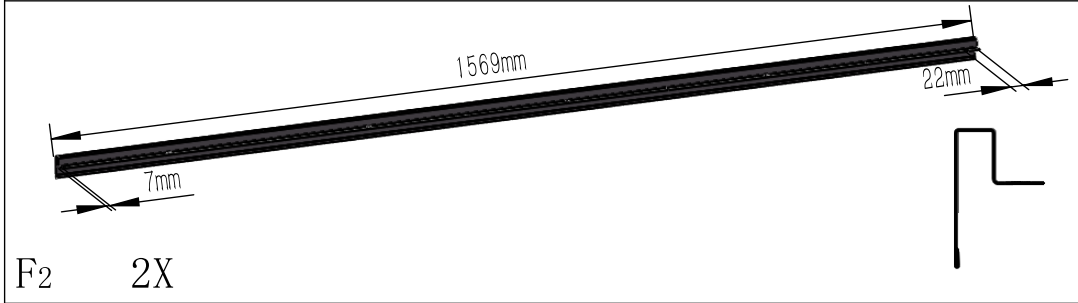
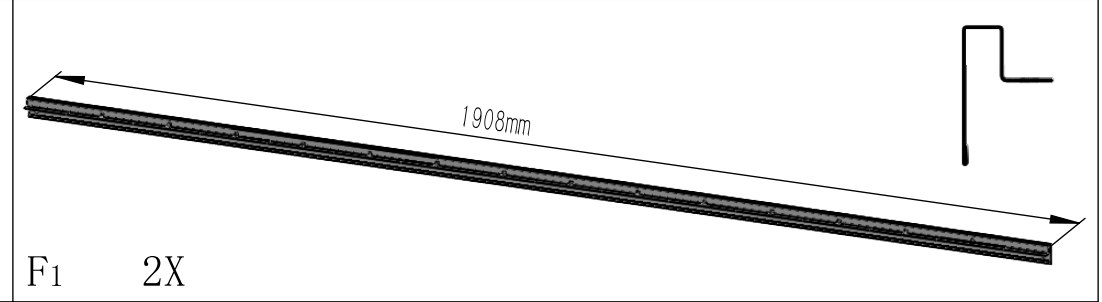
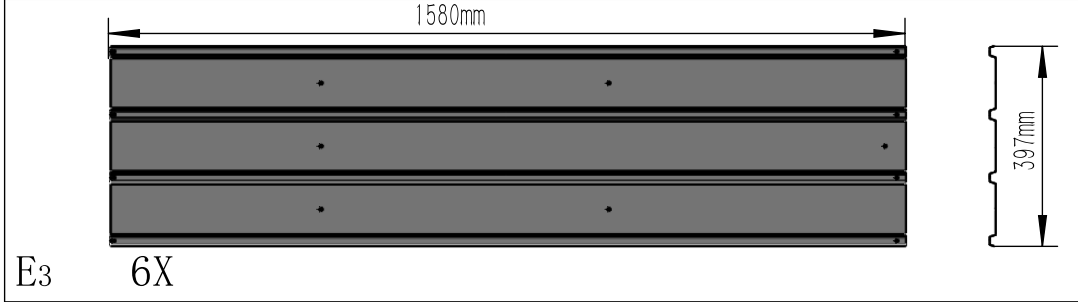
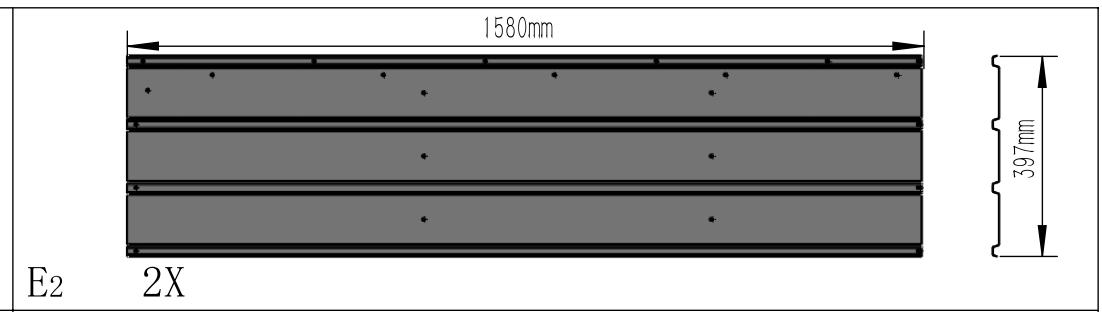
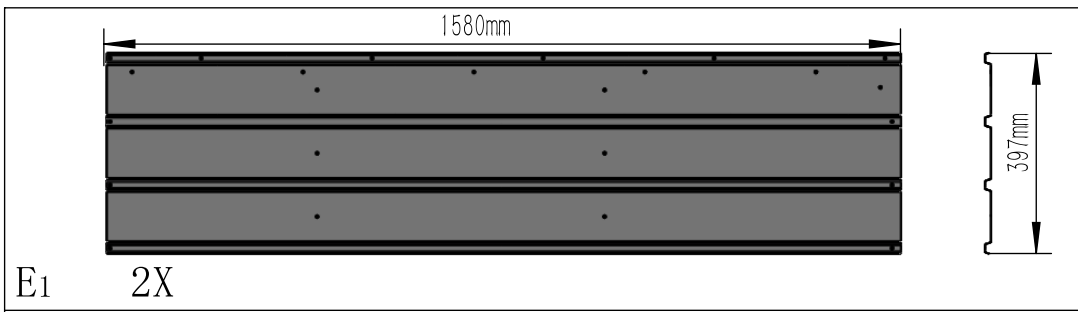


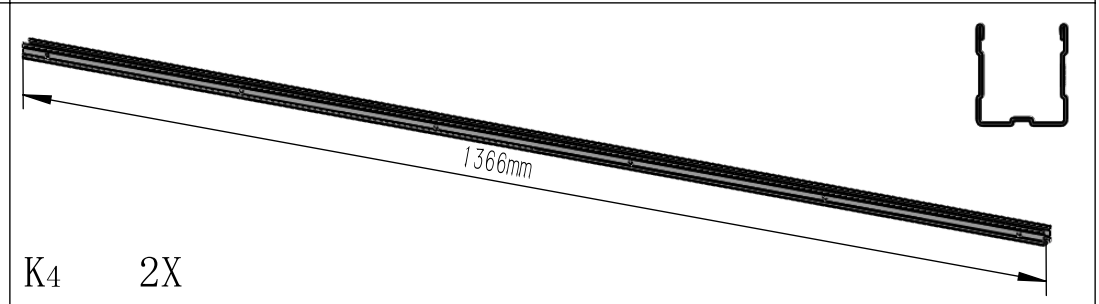
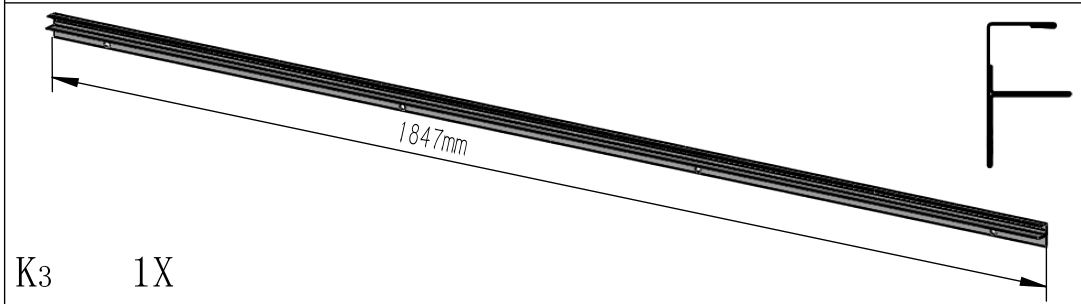
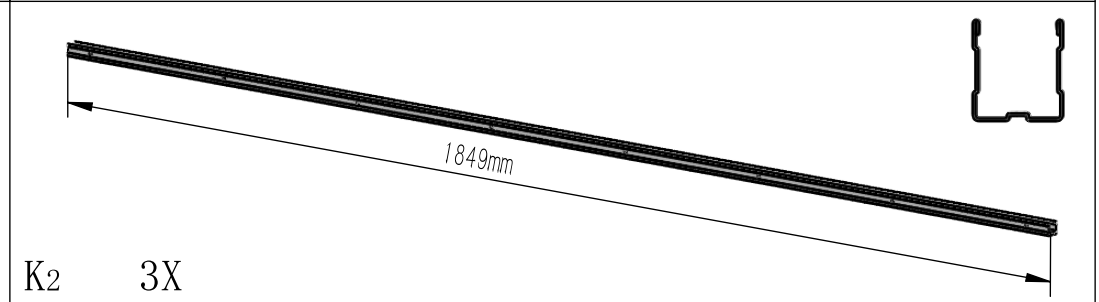
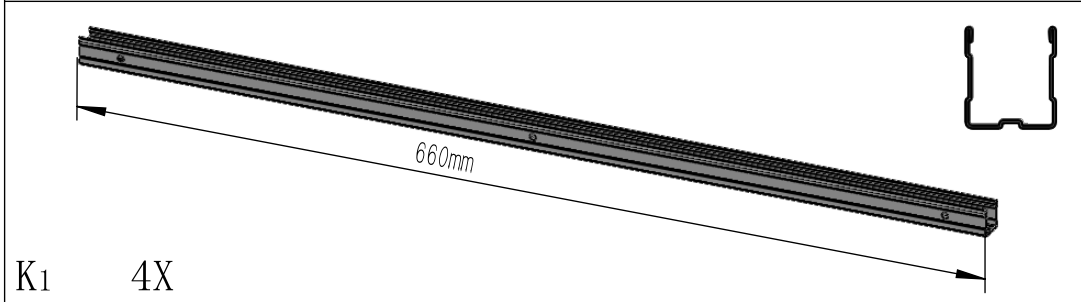
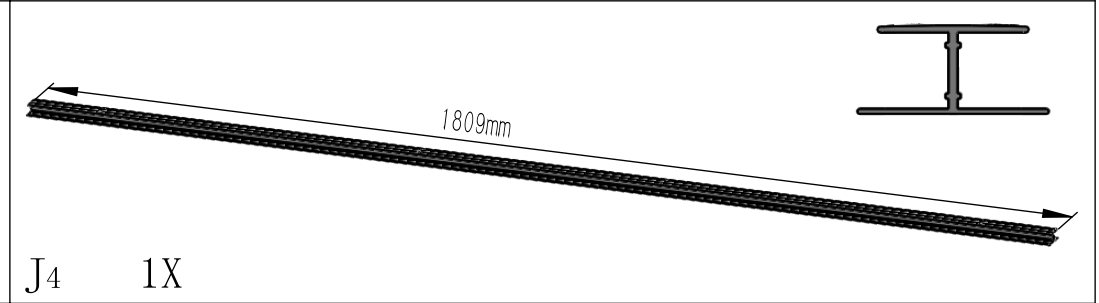
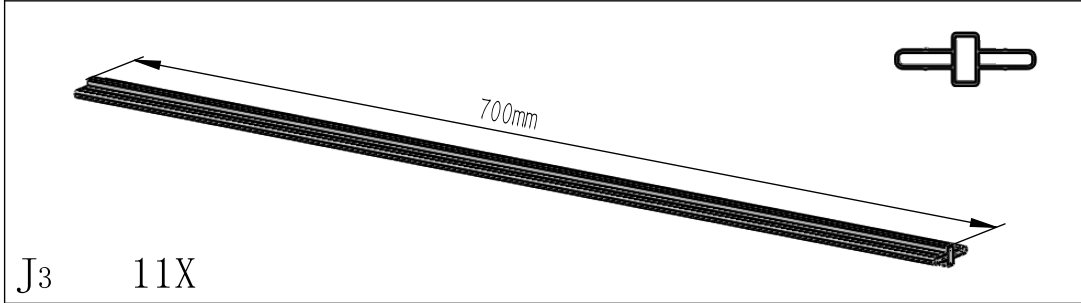
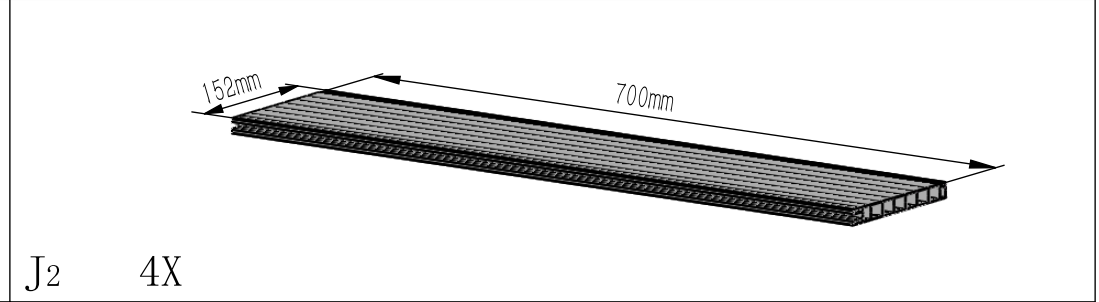
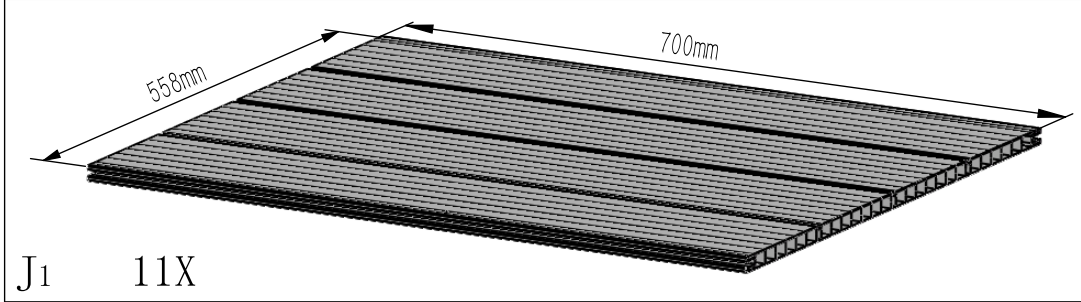
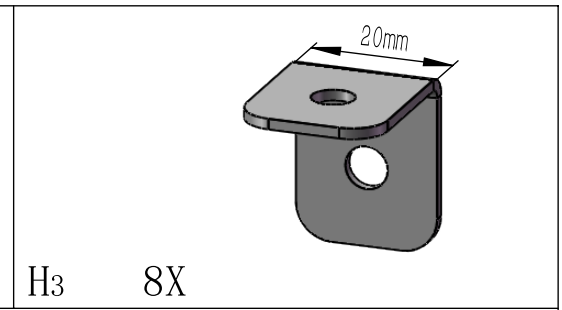
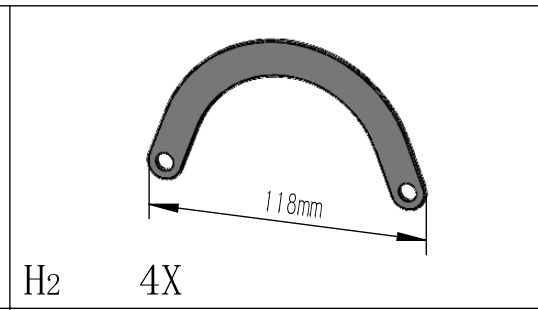
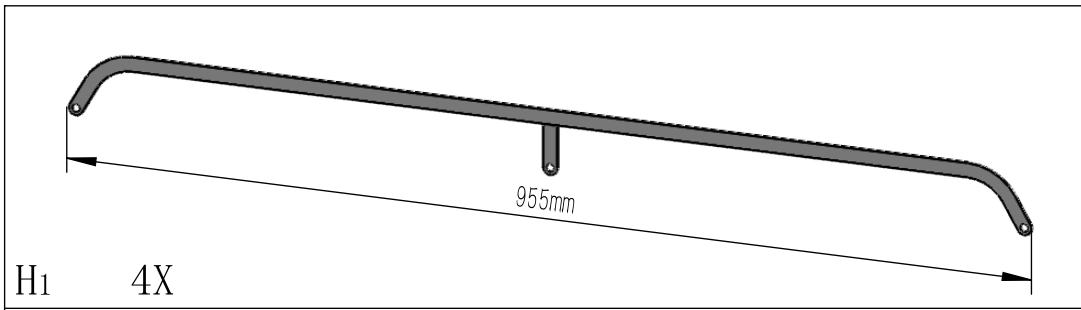
B4 4X

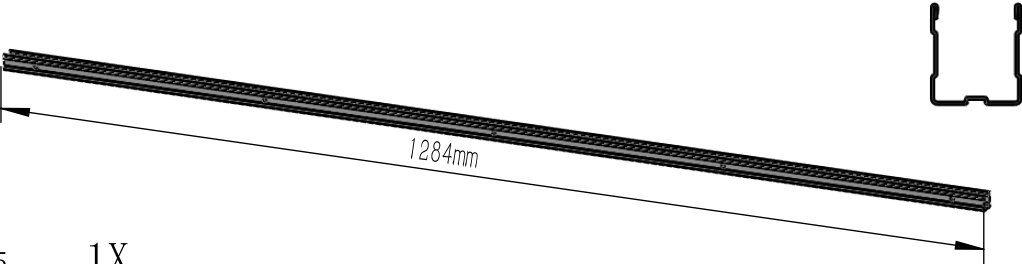
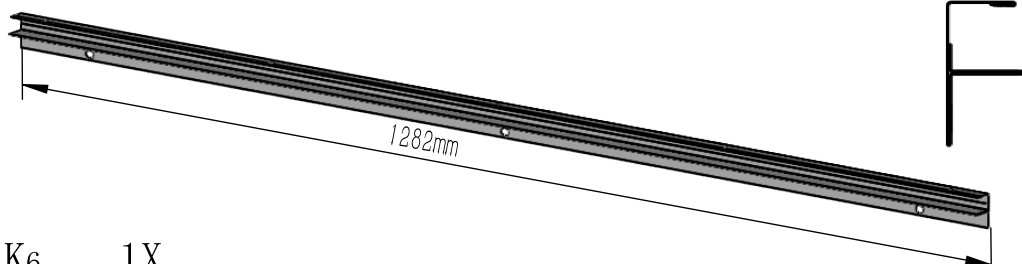
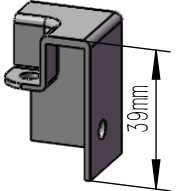
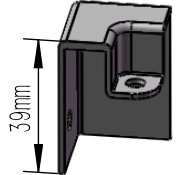
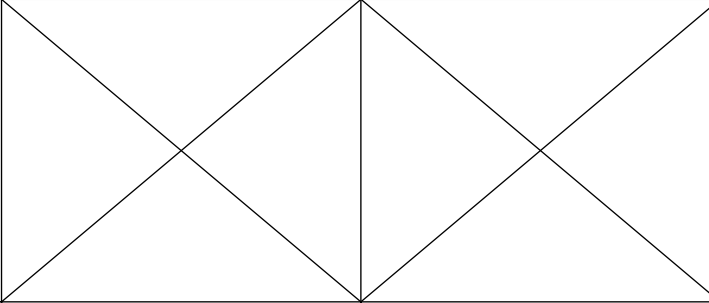
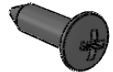
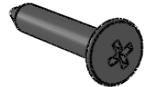








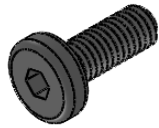
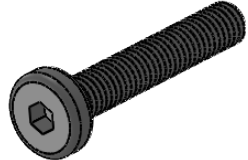


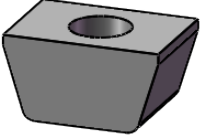

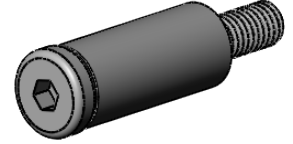
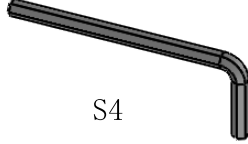
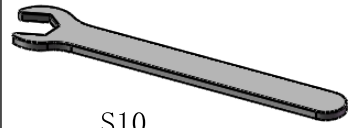


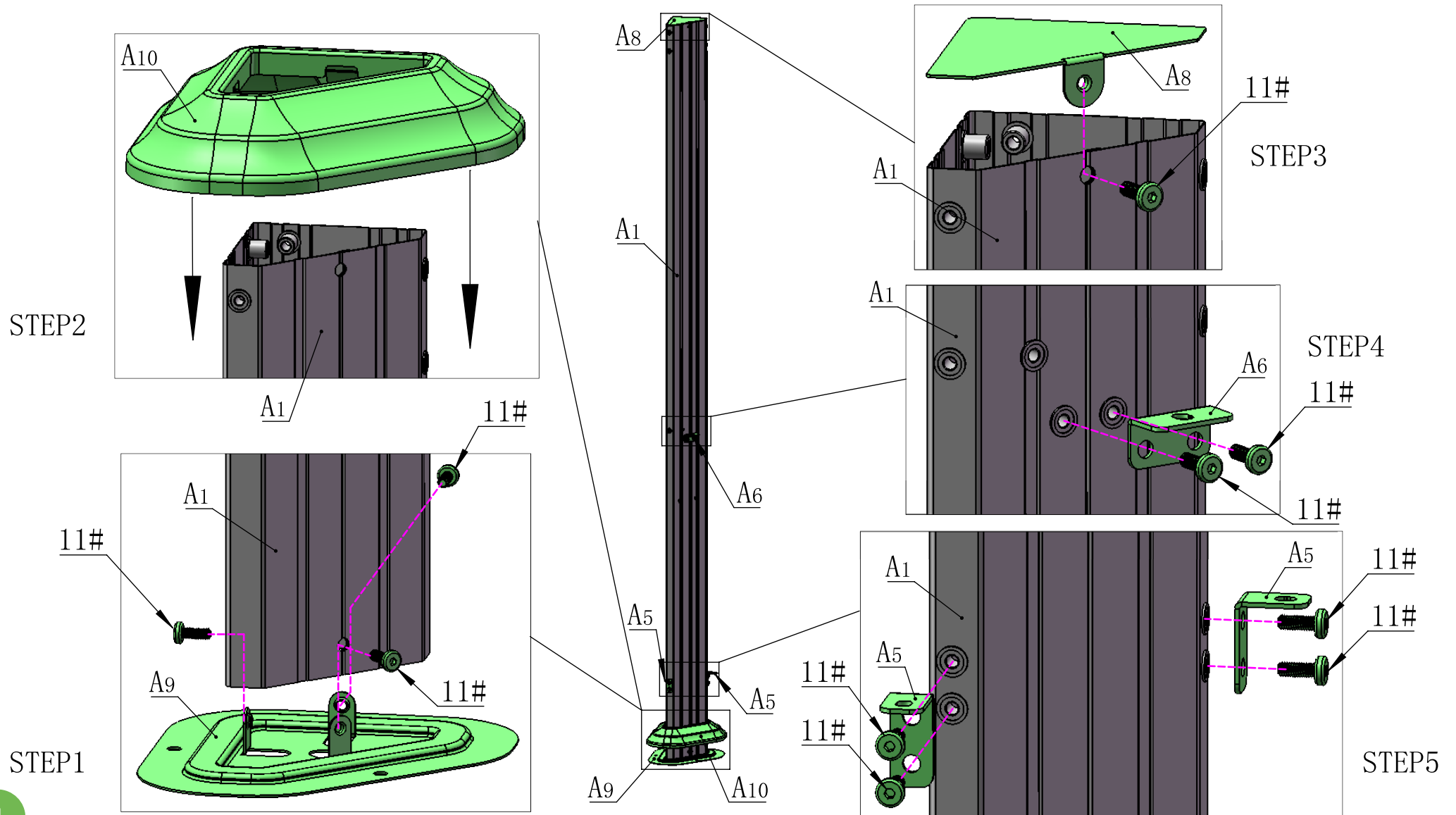
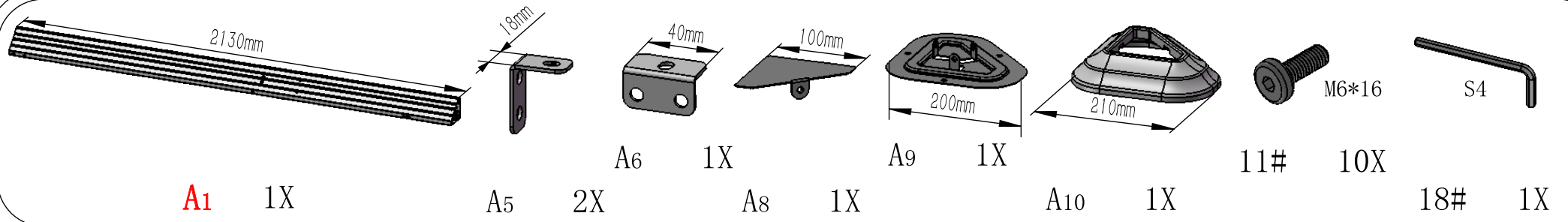
B5 2X

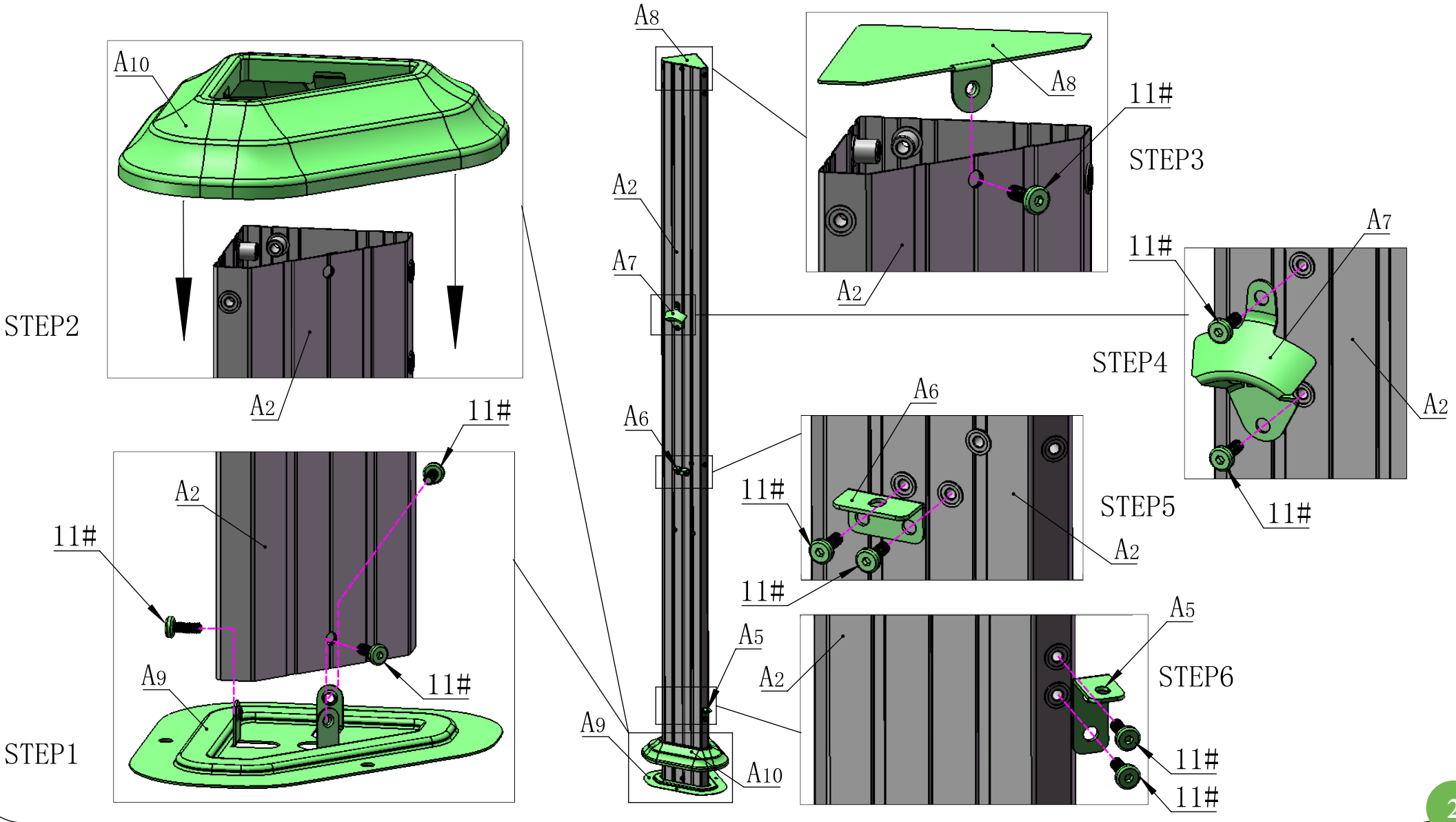
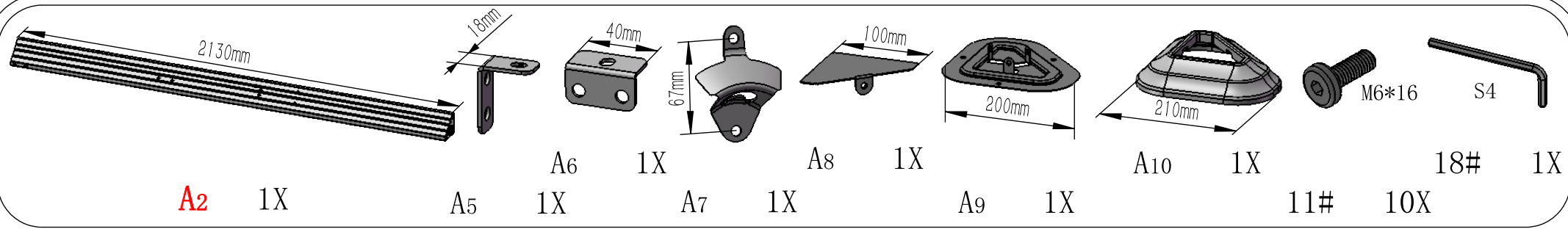


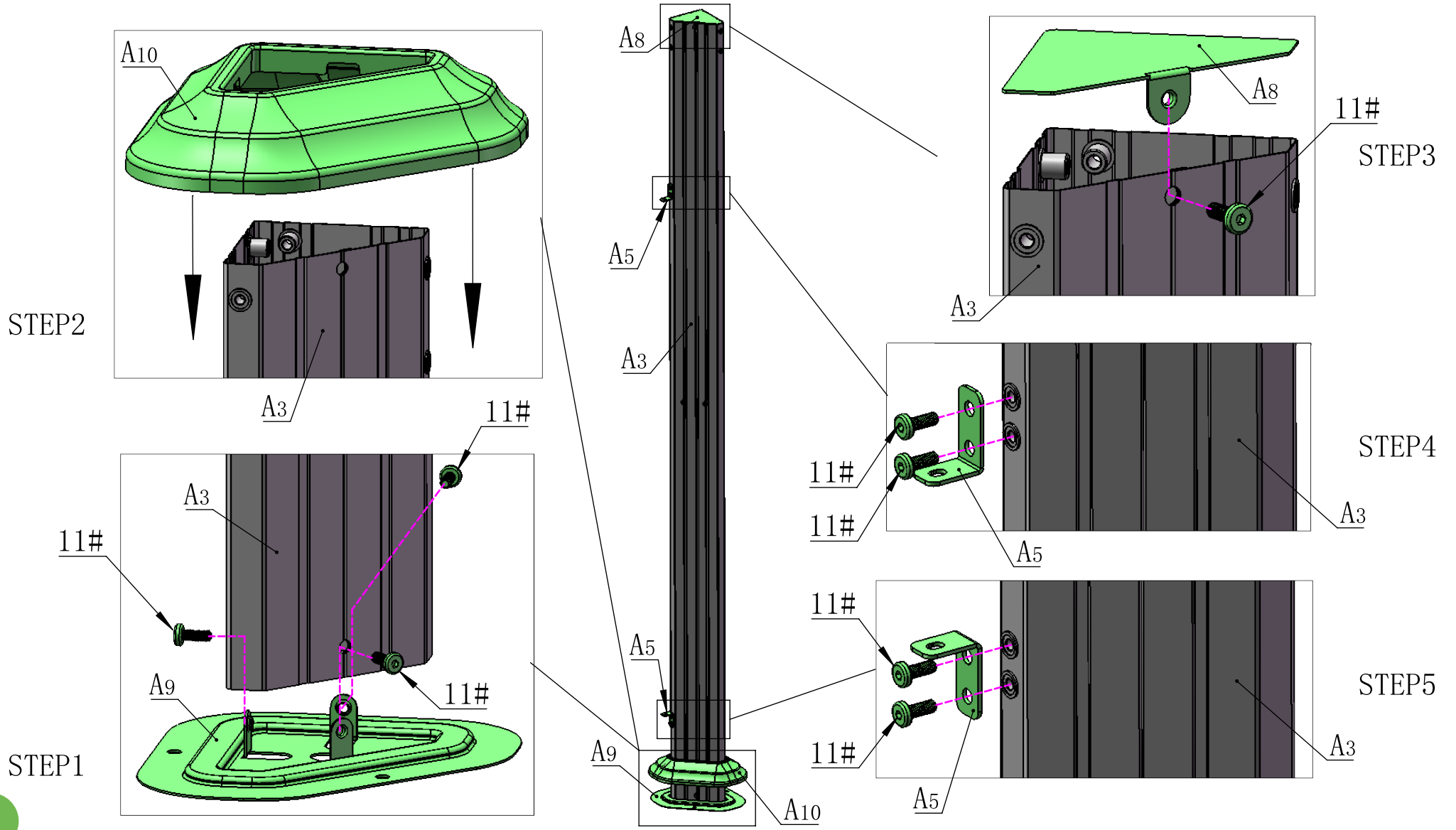
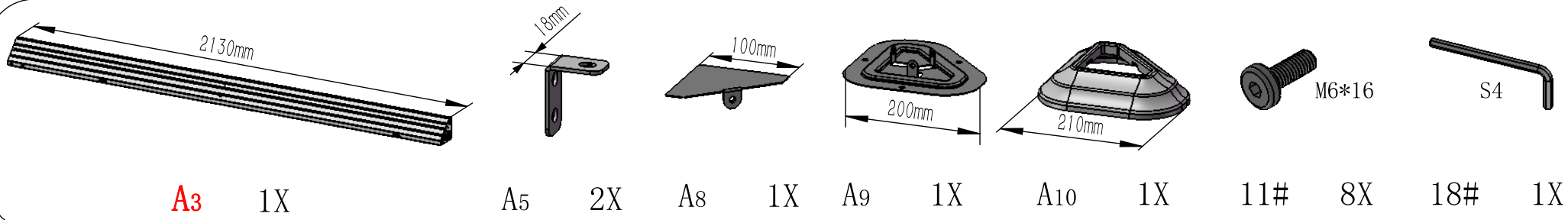


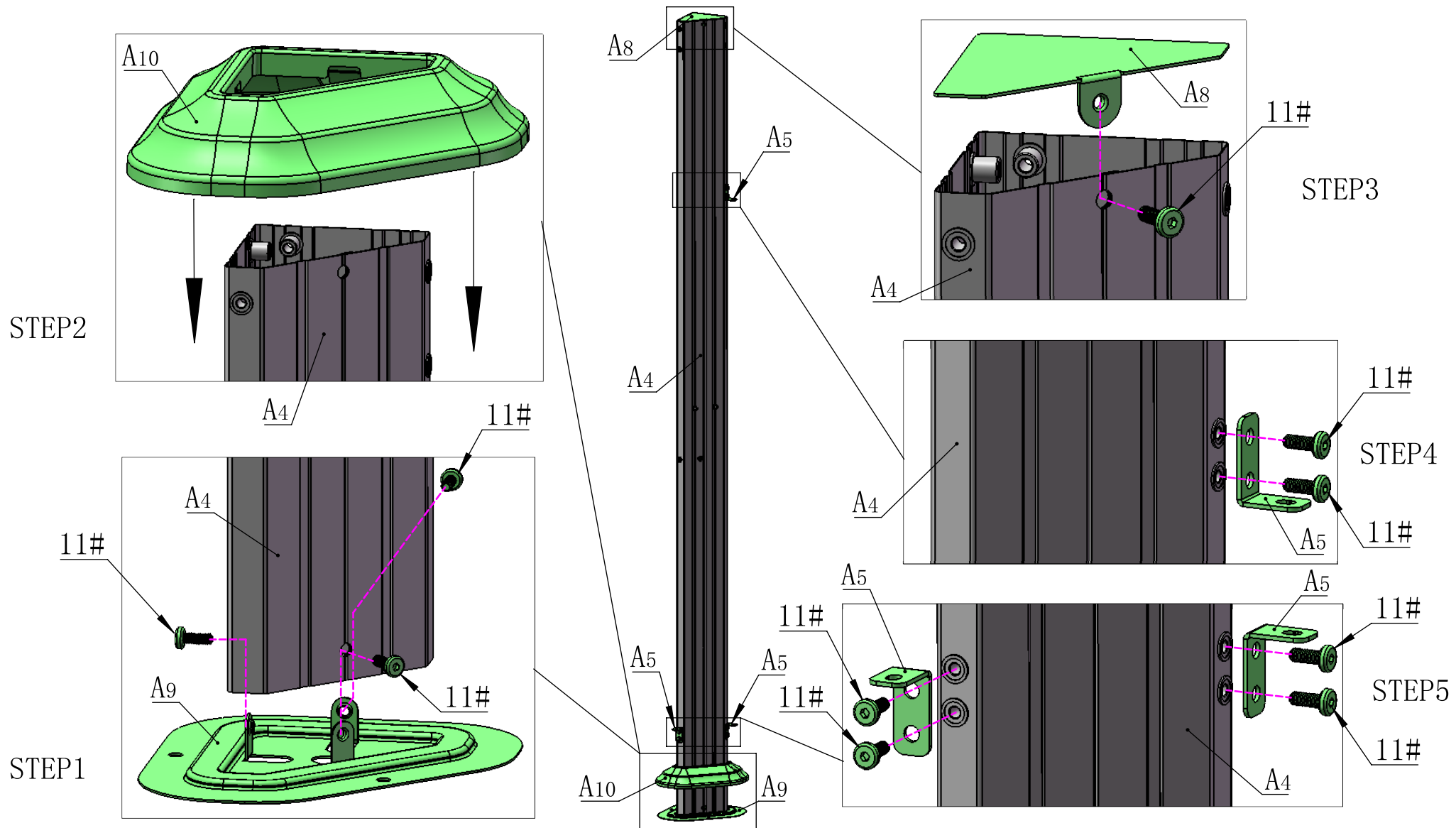
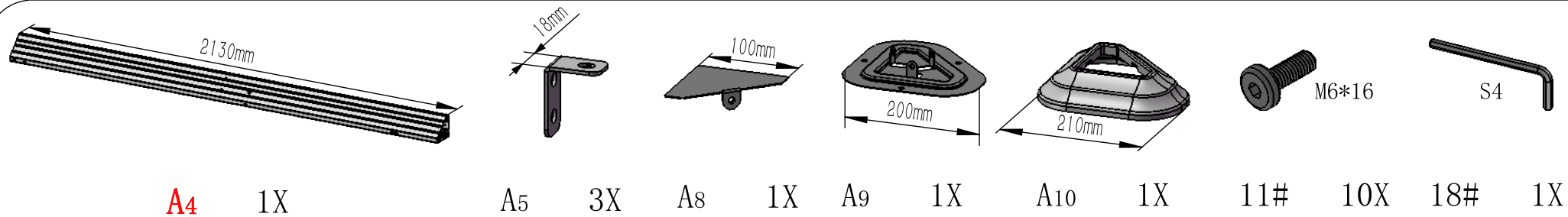


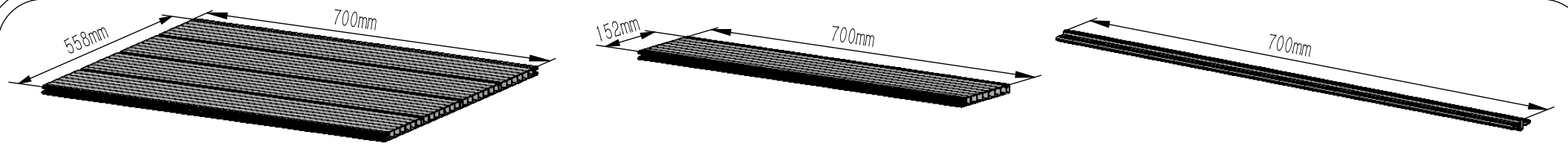
 <p>K5 1X</p>		 <p>K6 1X</p>			
 <p>L1 2X</p>	 <p>L2 2X</p>			 <p>ST4*14</p> <p>1# 82X</p>	 <p>ST4*22</p> <p>2# 102X</p>
 <p>ST5*16</p> <p>3# 12X</p>	 <p>M4*6</p> <p>4# 44X</p>	 <p>M4*8</p> <p>5# 20X</p>	 <p>M4</p> <p>6# 84X</p>	 <p>M4</p> <p>7# 64X</p>	 <p>M5*12</p> <p>8# 16X</p>
 <p>M6*10</p> <p>9# 64X</p>	 <p>M6*12</p> <p>10# 34X</p>	 <p>M6*16</p> <p>11# 131X</p>	 <p>M6*35</p> <p>12# 14X</p>	 <p>M6</p> <p>13# 38X</p>	 <p>M6</p> <p>14# 38X</p>
 <p>15# 102X</p>	 <p>D5.9*11.5</p> <p>16# 82X</p>	 <p>17# 16X</p>	 <p>S4</p> <p>18# 1X</p>	 <p>S10</p> <p>19# 1X</p>	







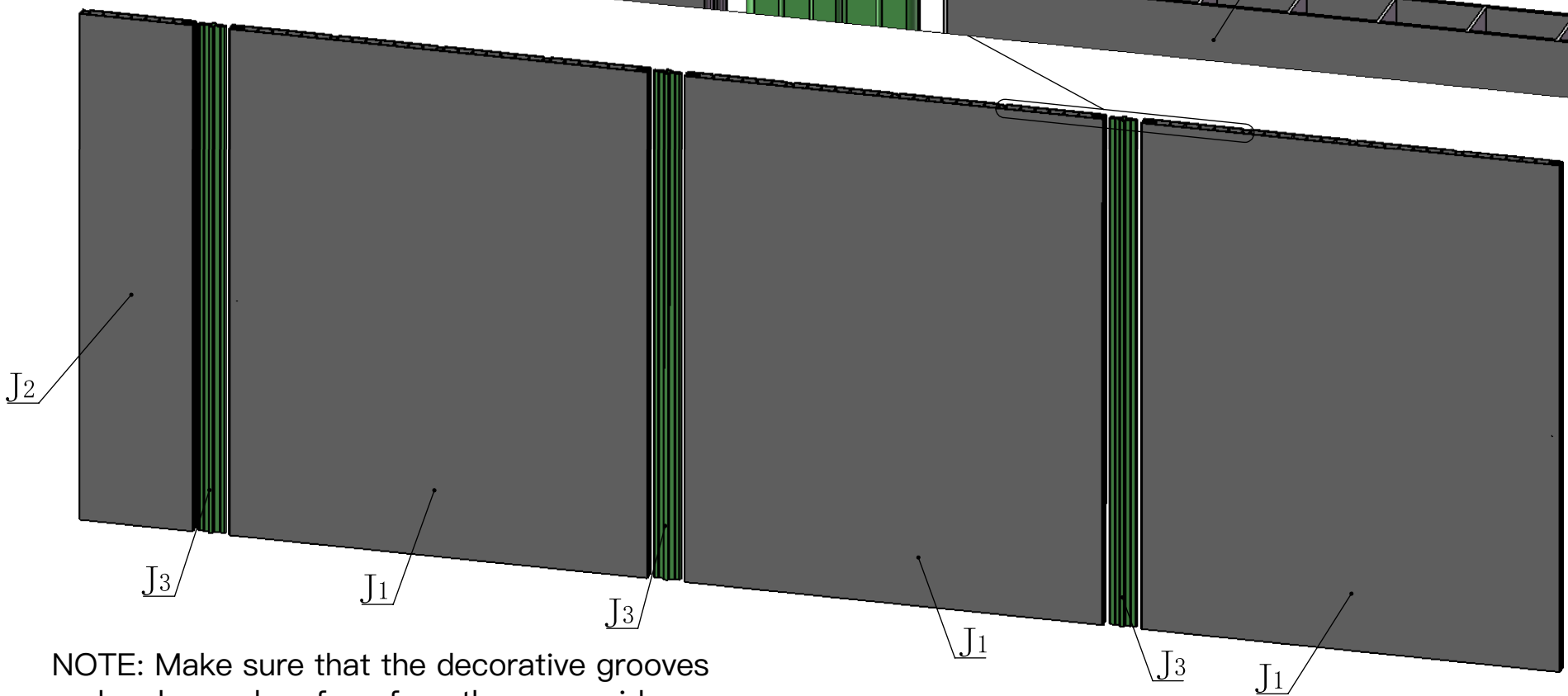
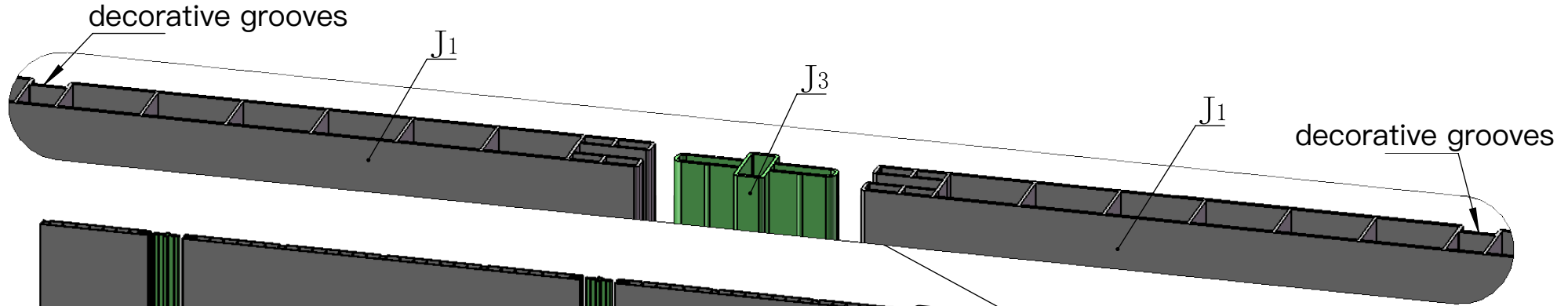




J1 3X

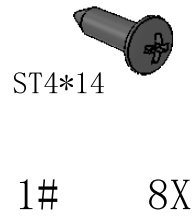
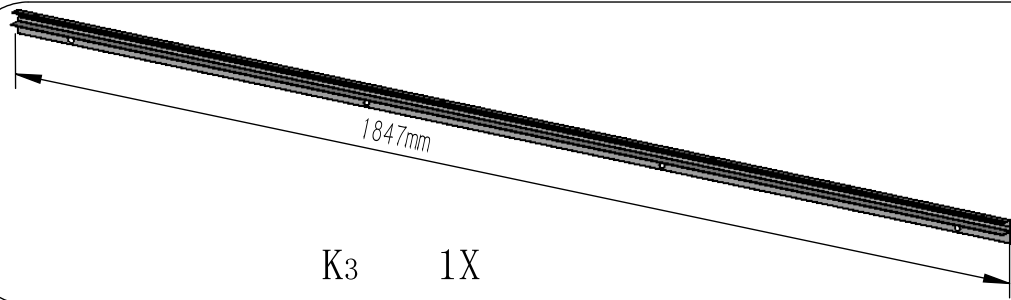
J2 1X

J3 3X

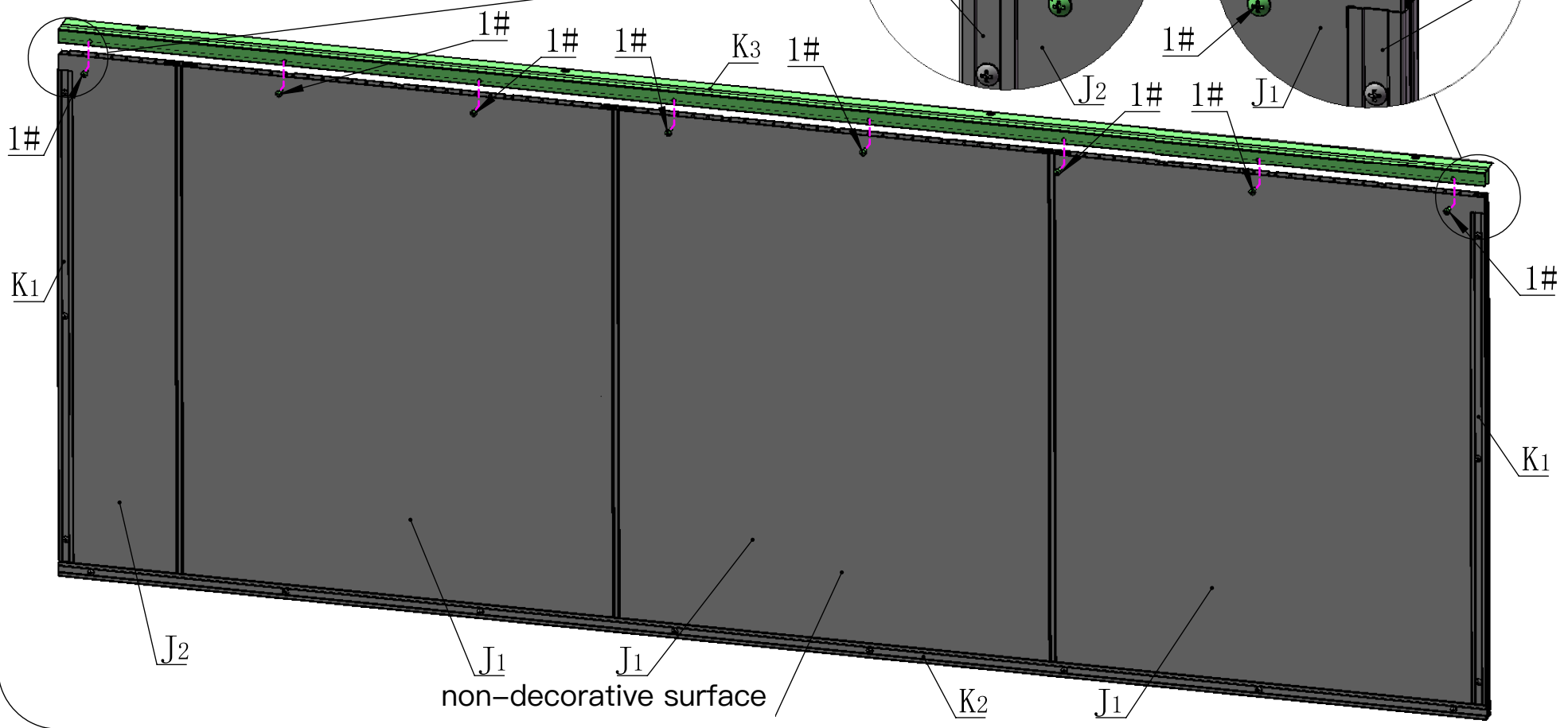
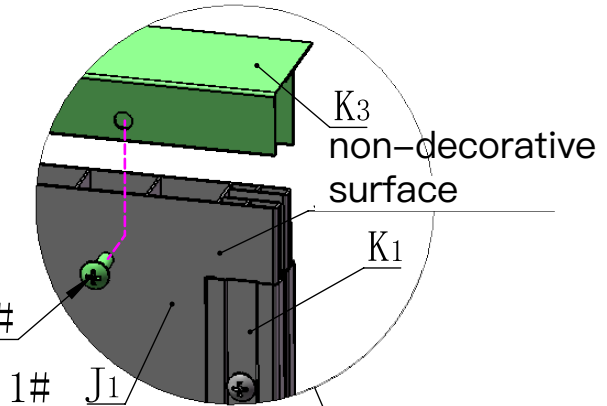
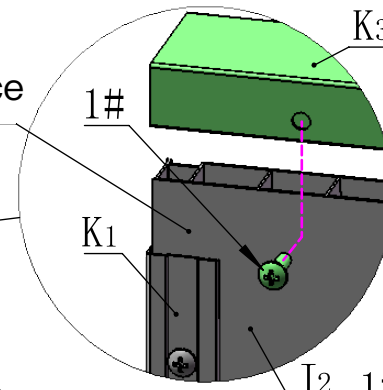


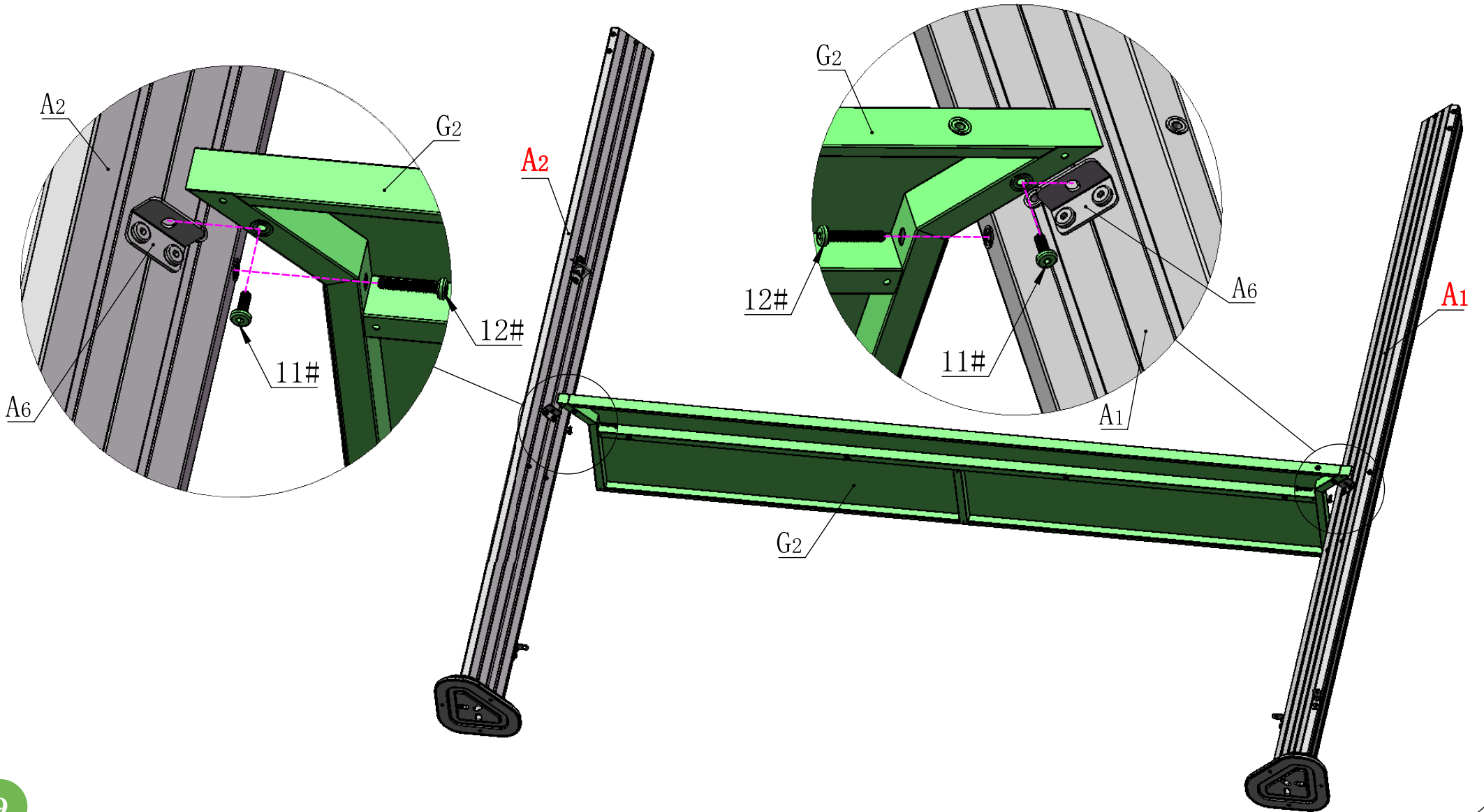
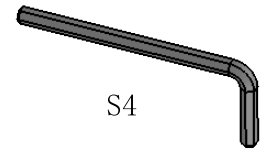
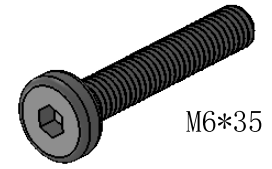
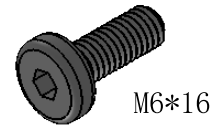
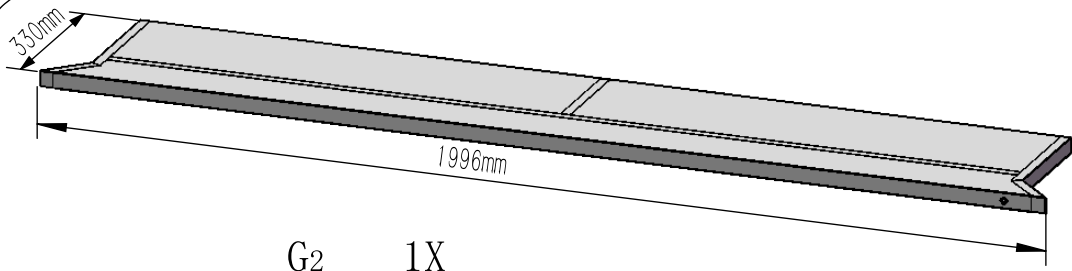
NOTE: Make sure that the decorative grooves and embossed surface face the same side.

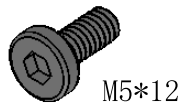
non-decorative surface



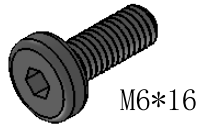
non-decorative surface



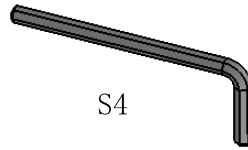




M5*12



M6*16



S4

8#

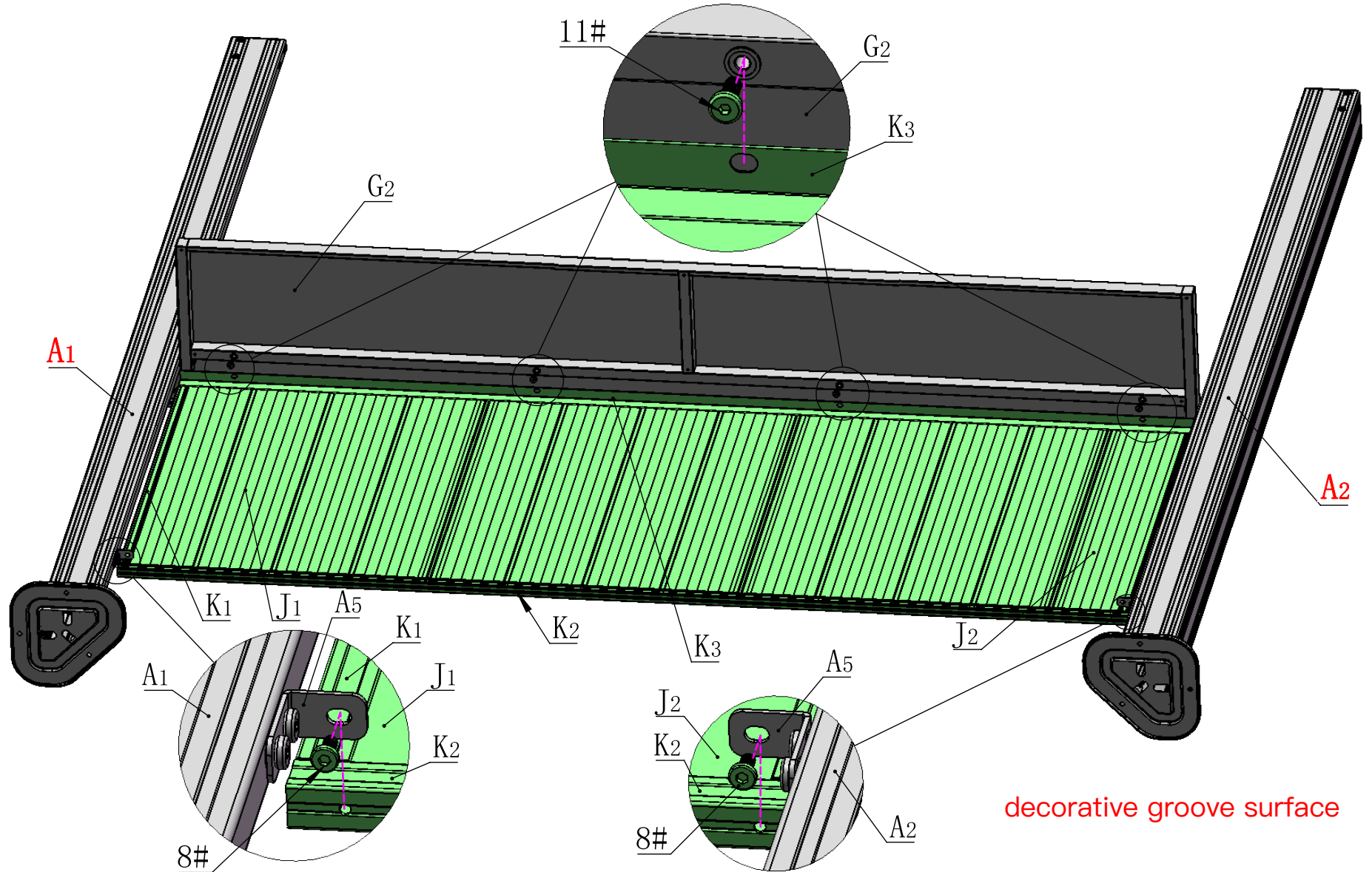
2X

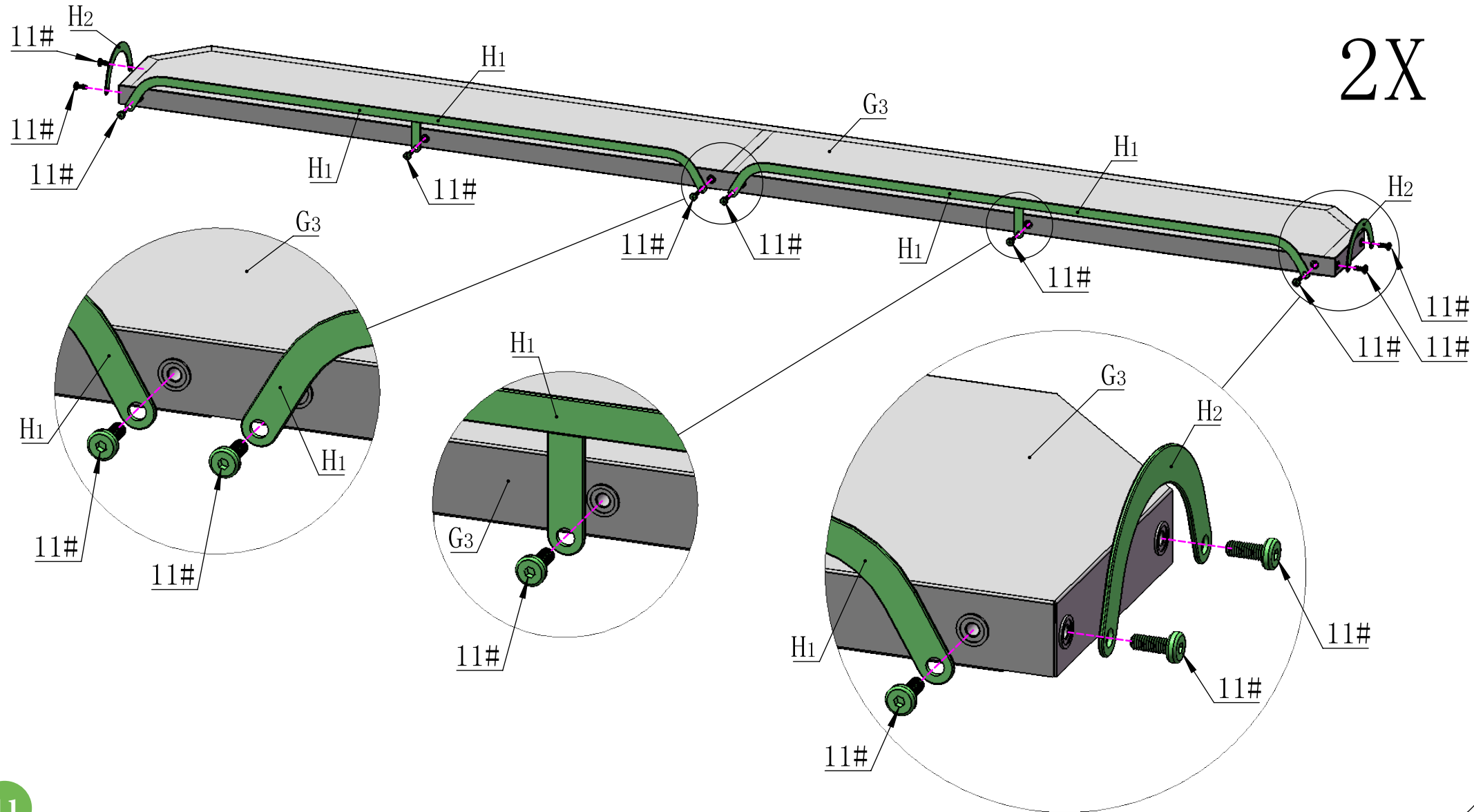
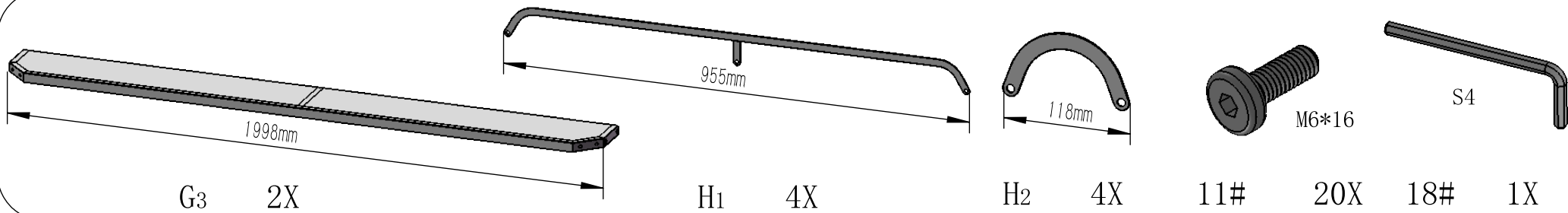
11#

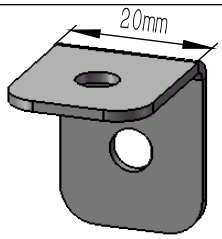
4X

18#

1X



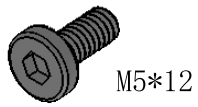




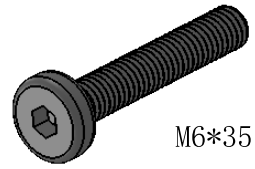
H3 4X



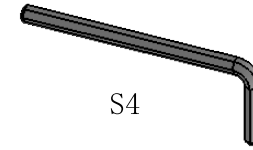
1# 4X



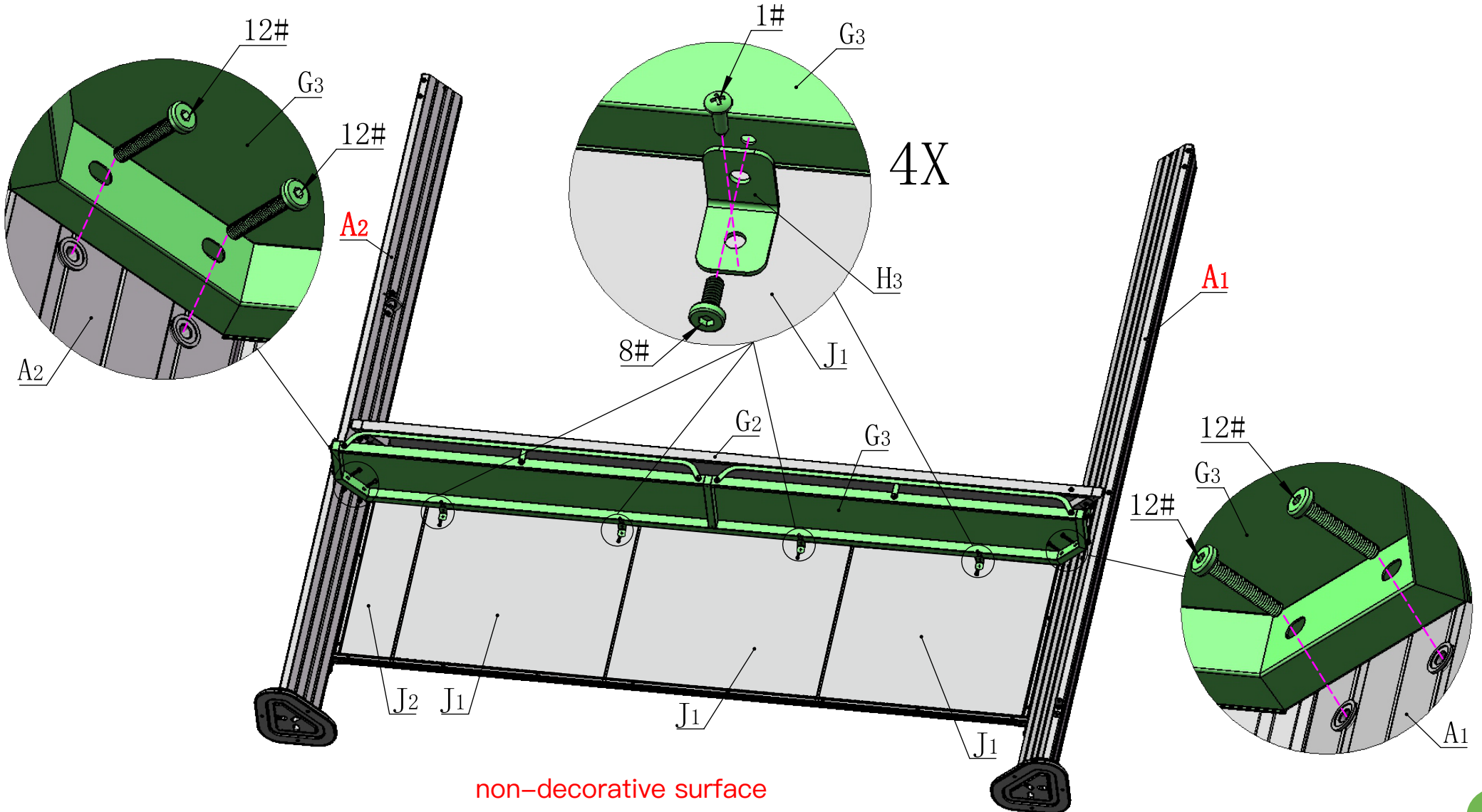
8# 4X

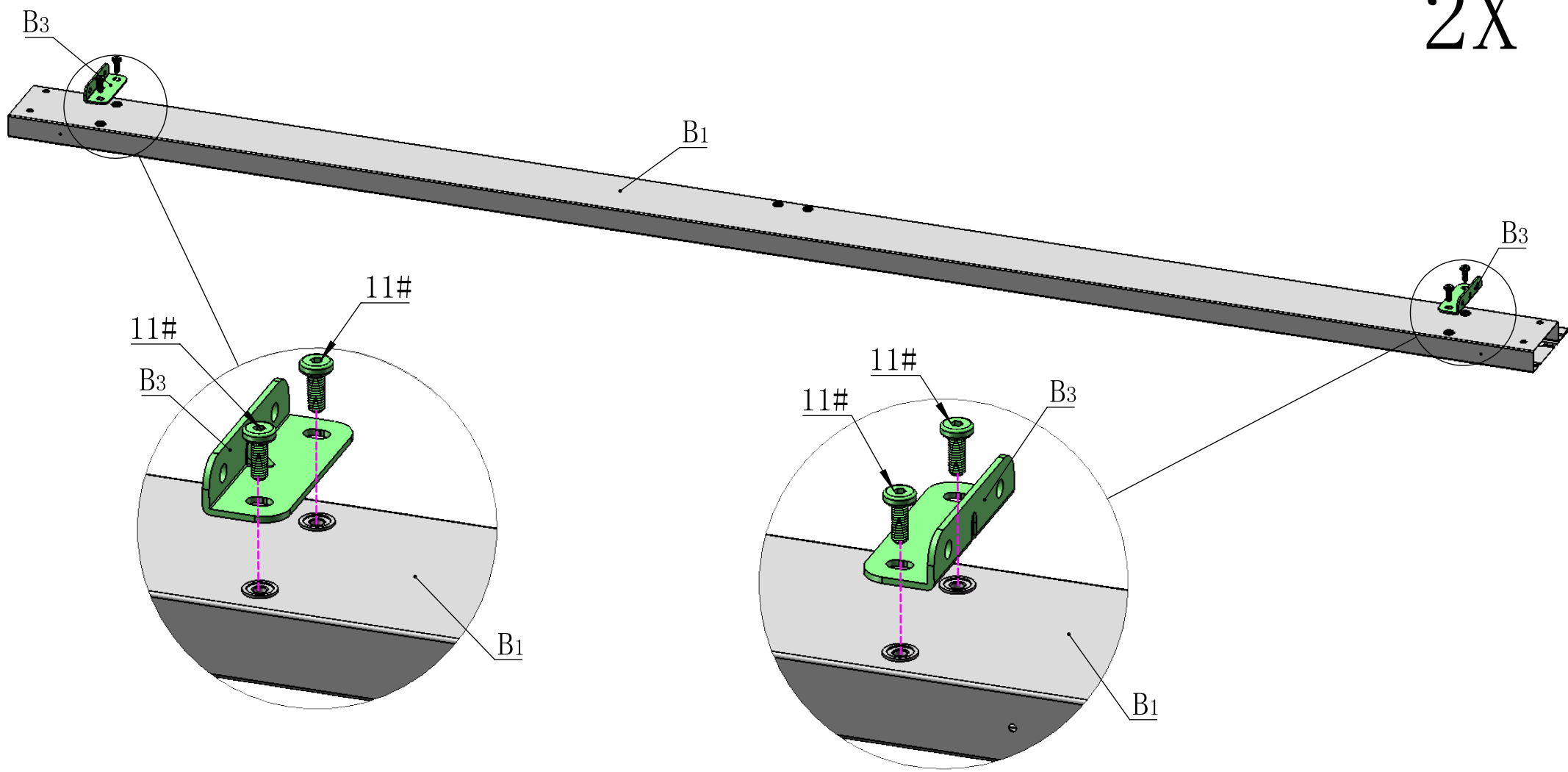
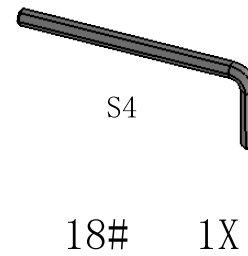
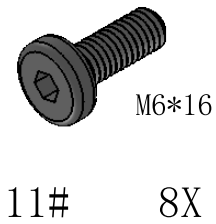
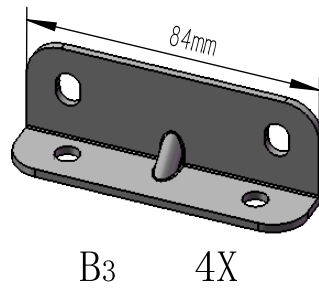
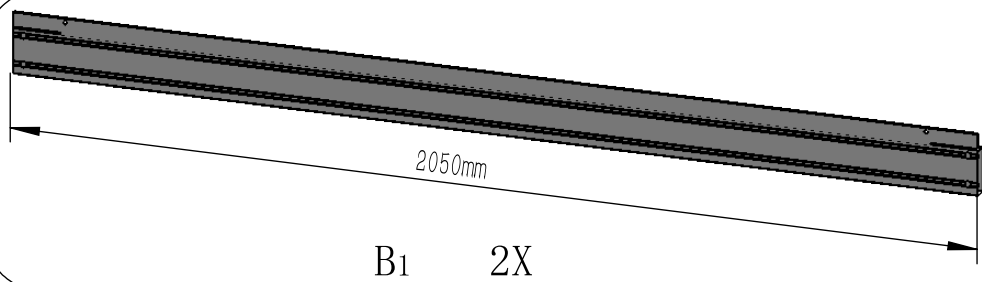


12# 4X

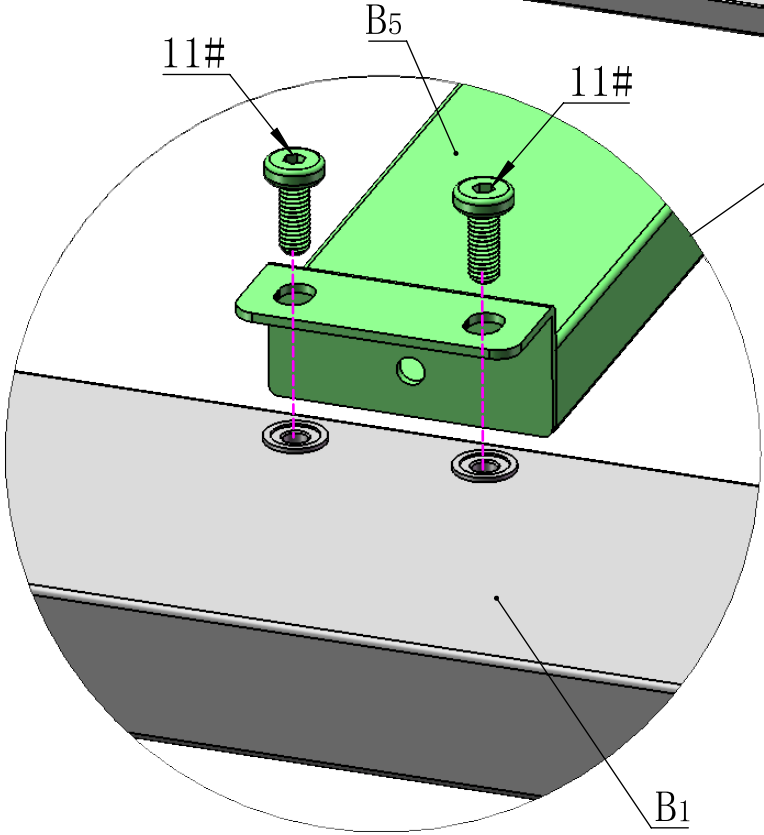
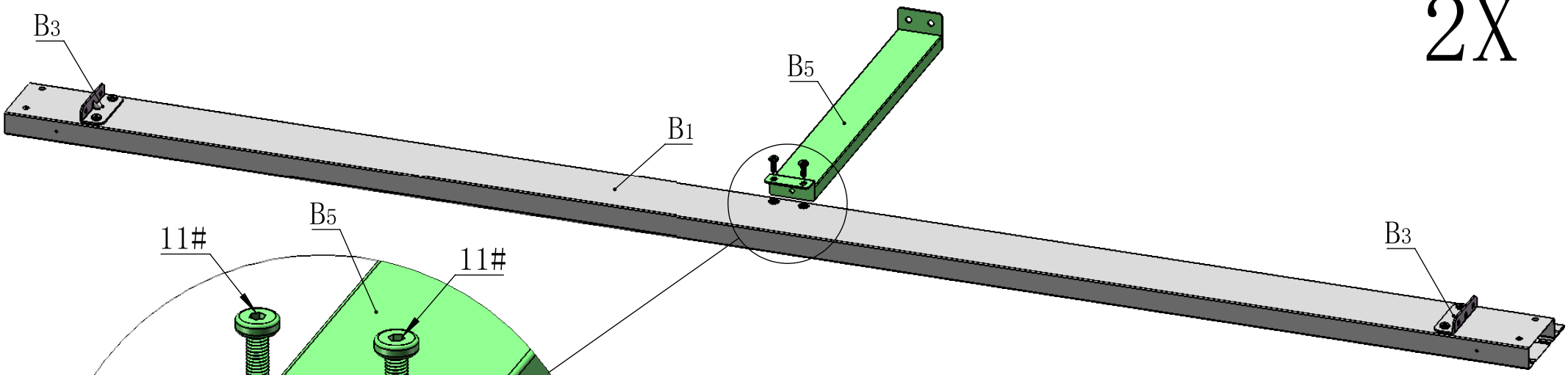
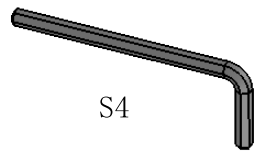
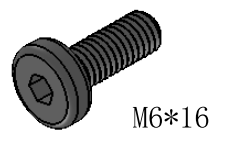
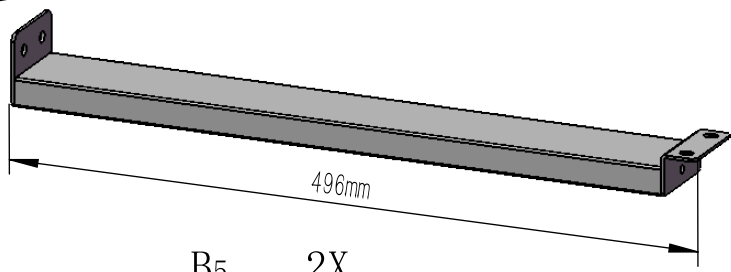


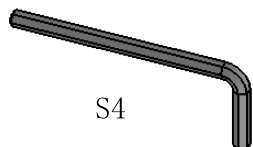
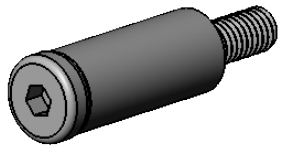
18# 1X





2X

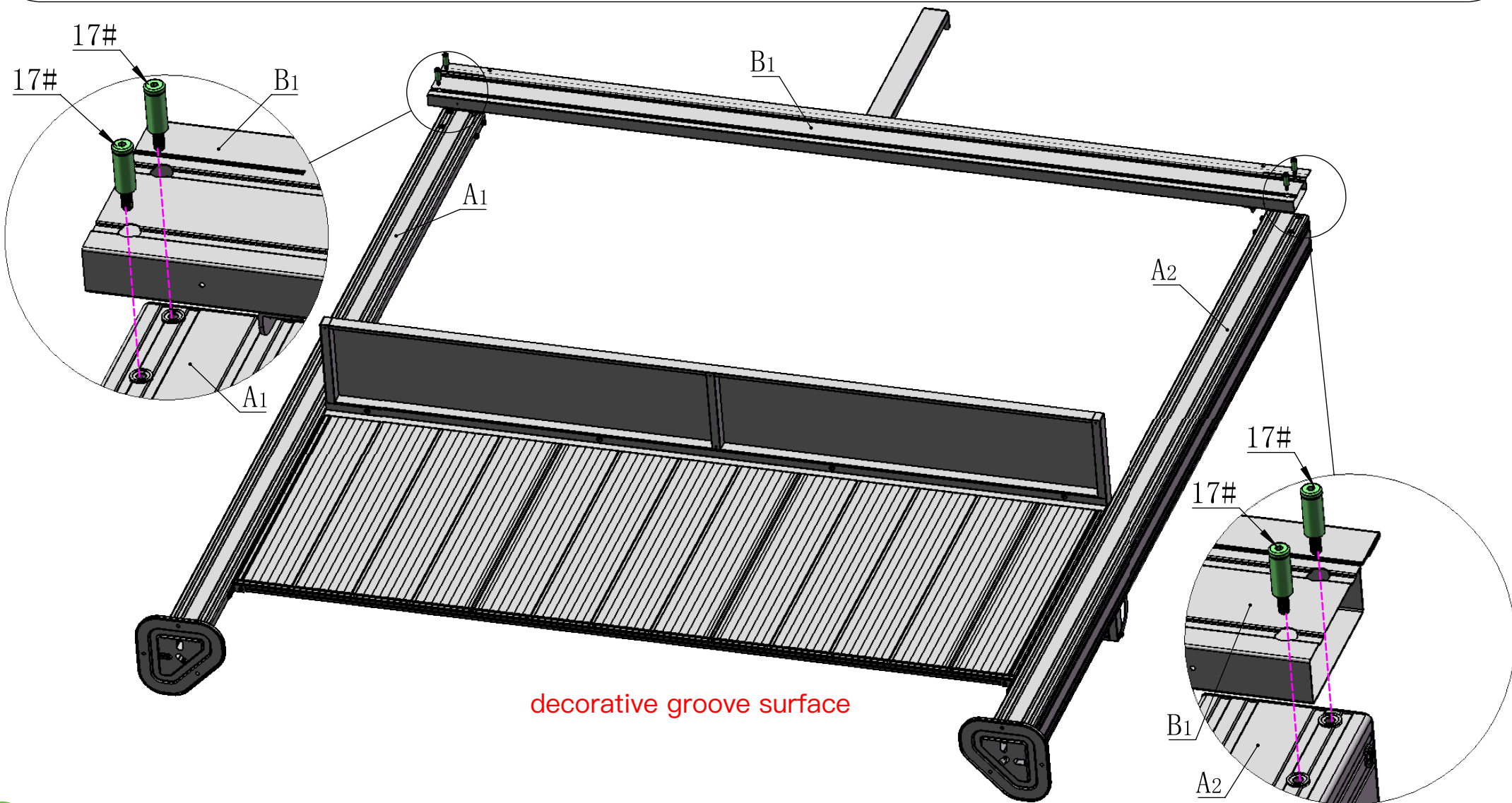




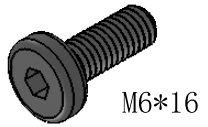
S4

17# 4X

18# 1X



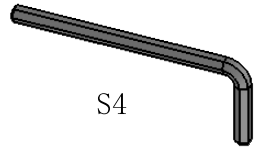
decorative groove surface



M6*16

11#

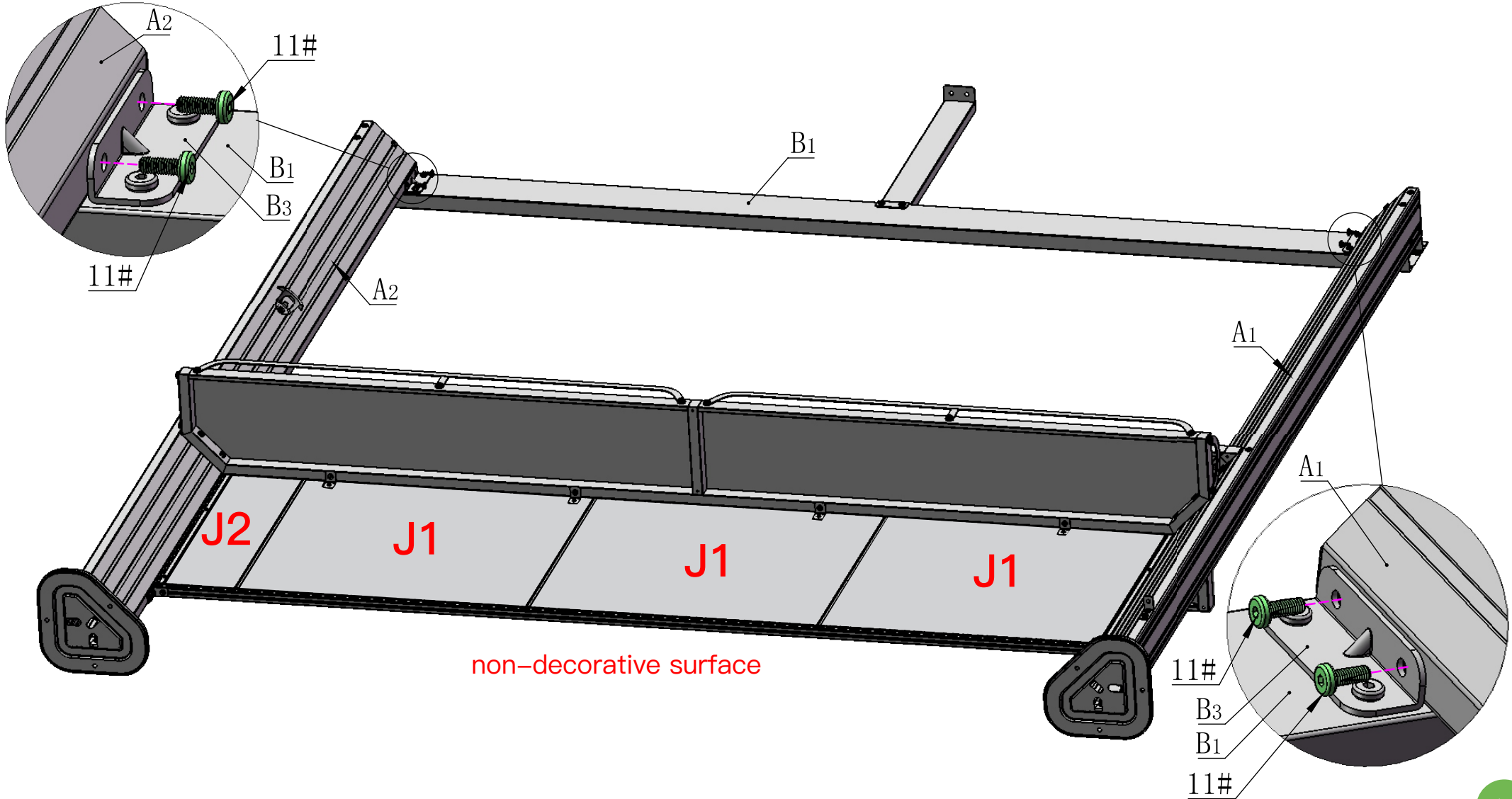
4X

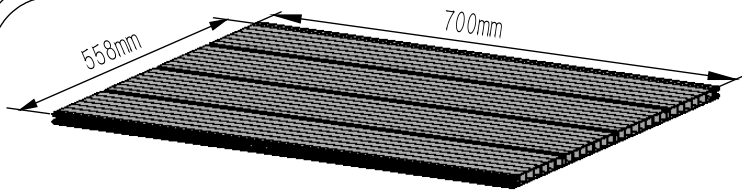


S4

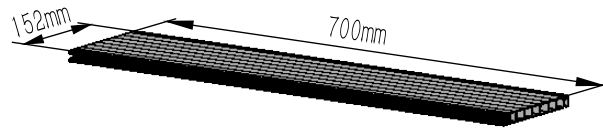
18#

1X

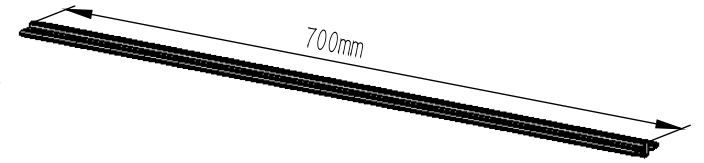




J1 6X



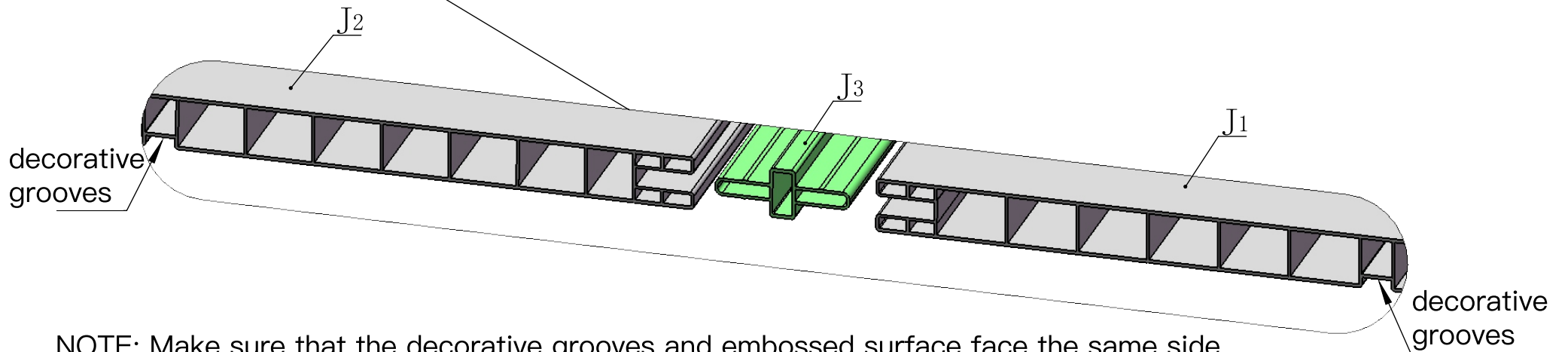
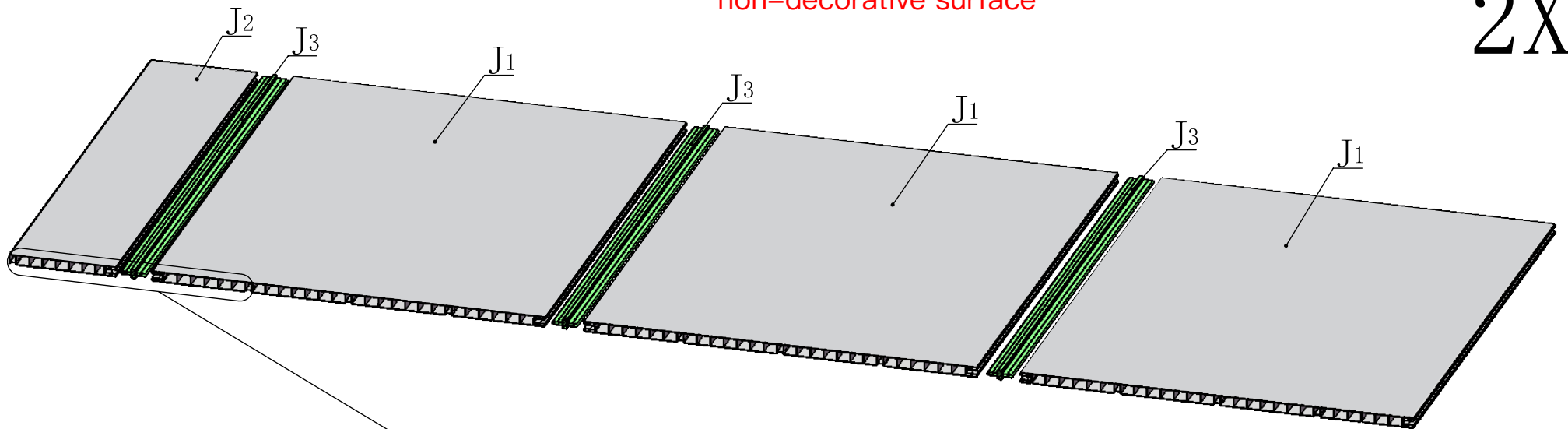
J2 2X



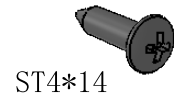
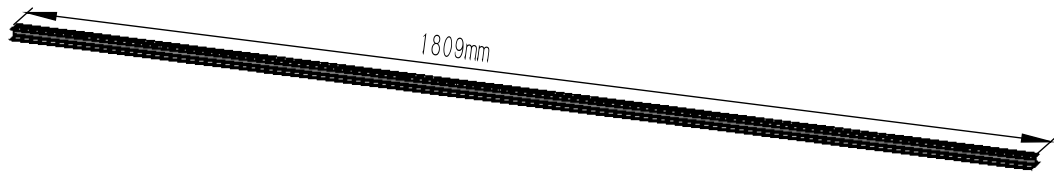
J3 6X

non-decorative surface

2X



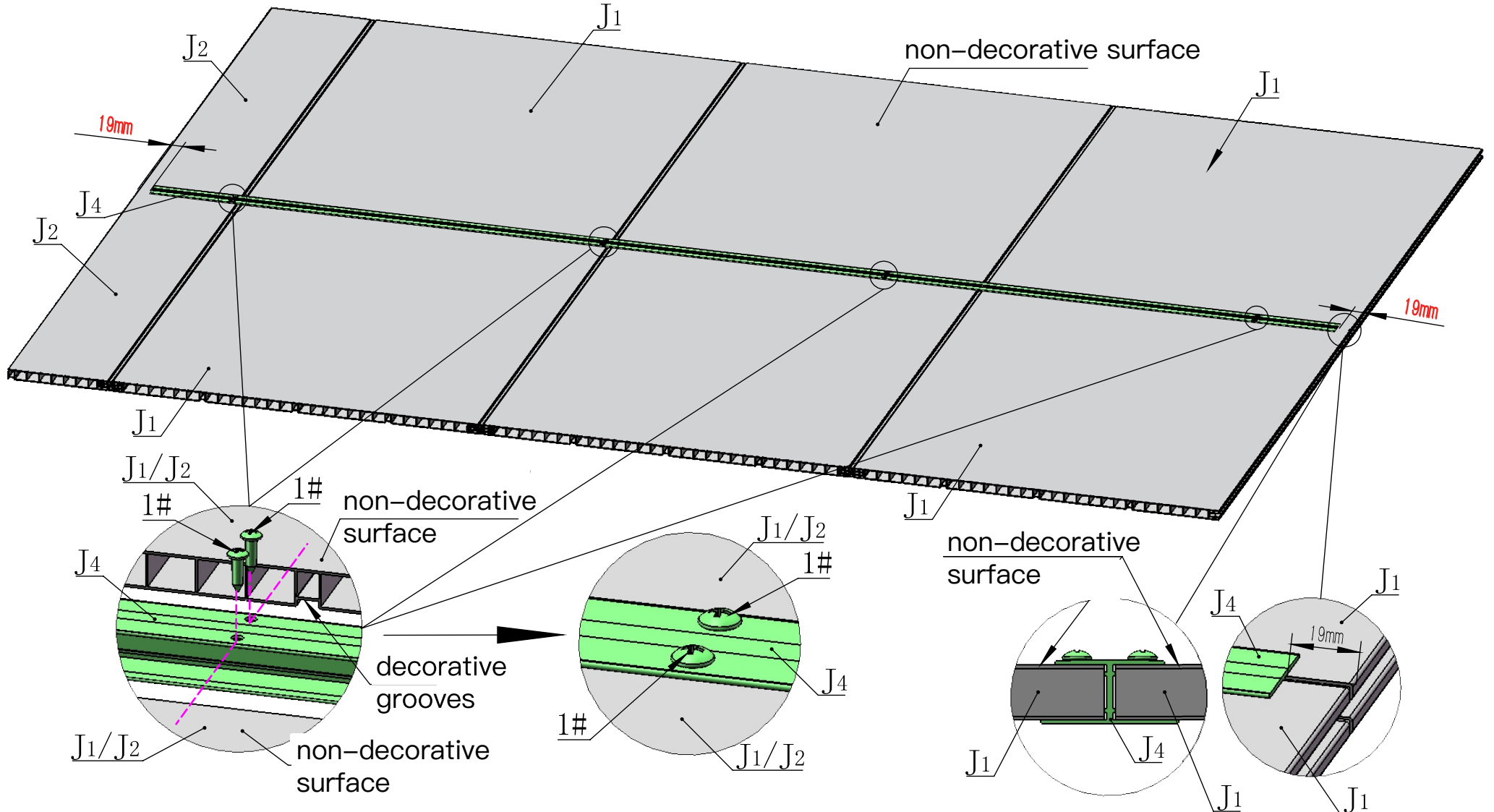
NOTE: Make sure that the decorative grooves and embossed surface face the same side.



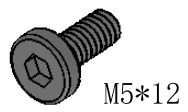
Attention: Leave a gap of about 19mm here for the next installation step.

J4 1X

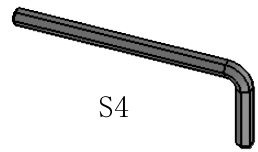
1# 8X



NOTE: Make sure that the decorative grooves and embossed surface face the same side.



M5*12



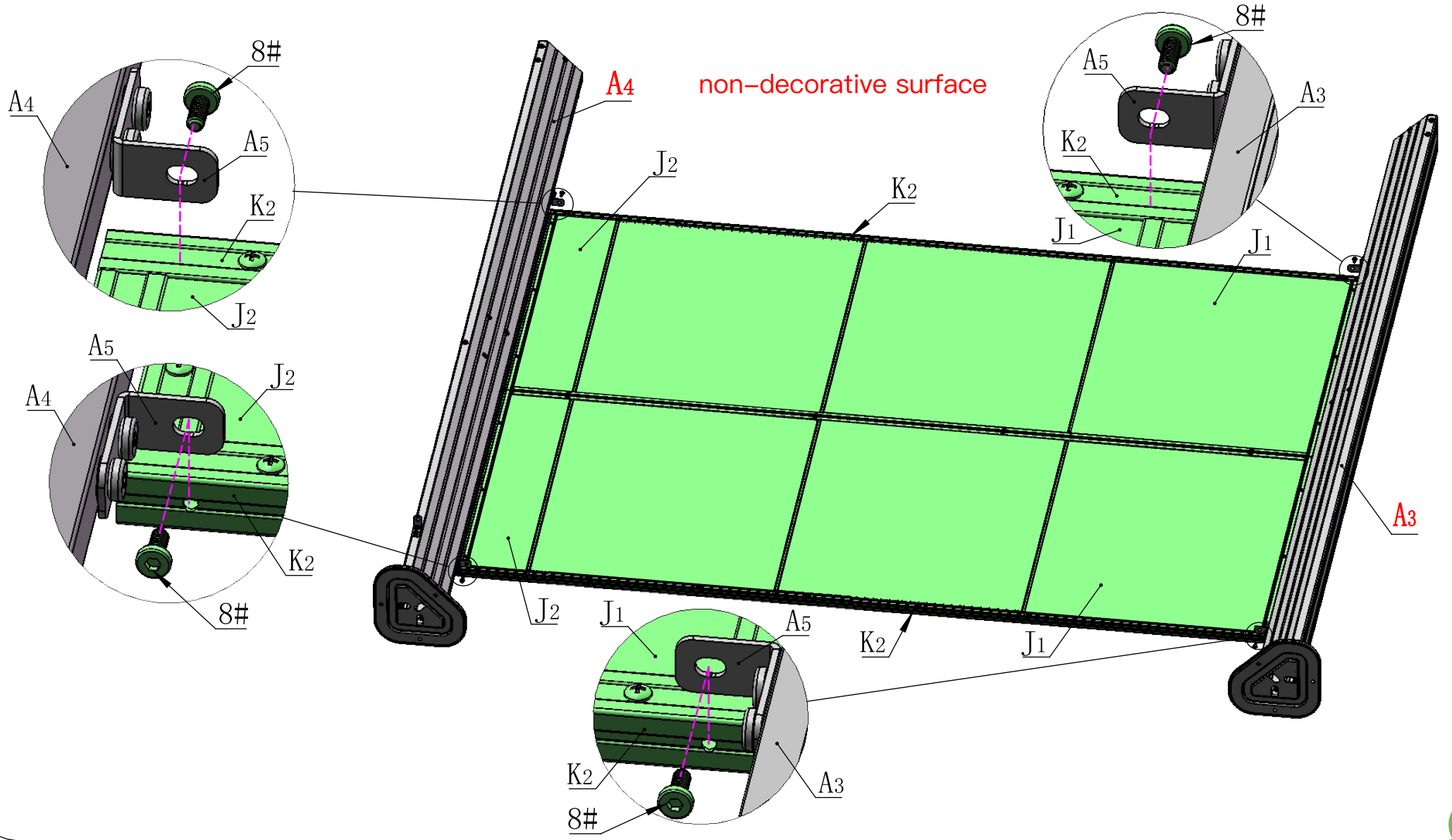
S4

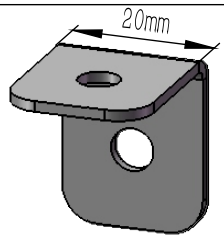
8#

4X

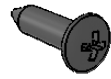
18#

1X





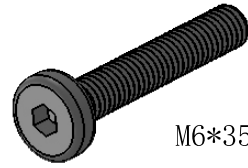
H3 4X



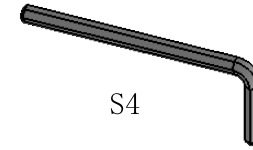
1# 4X



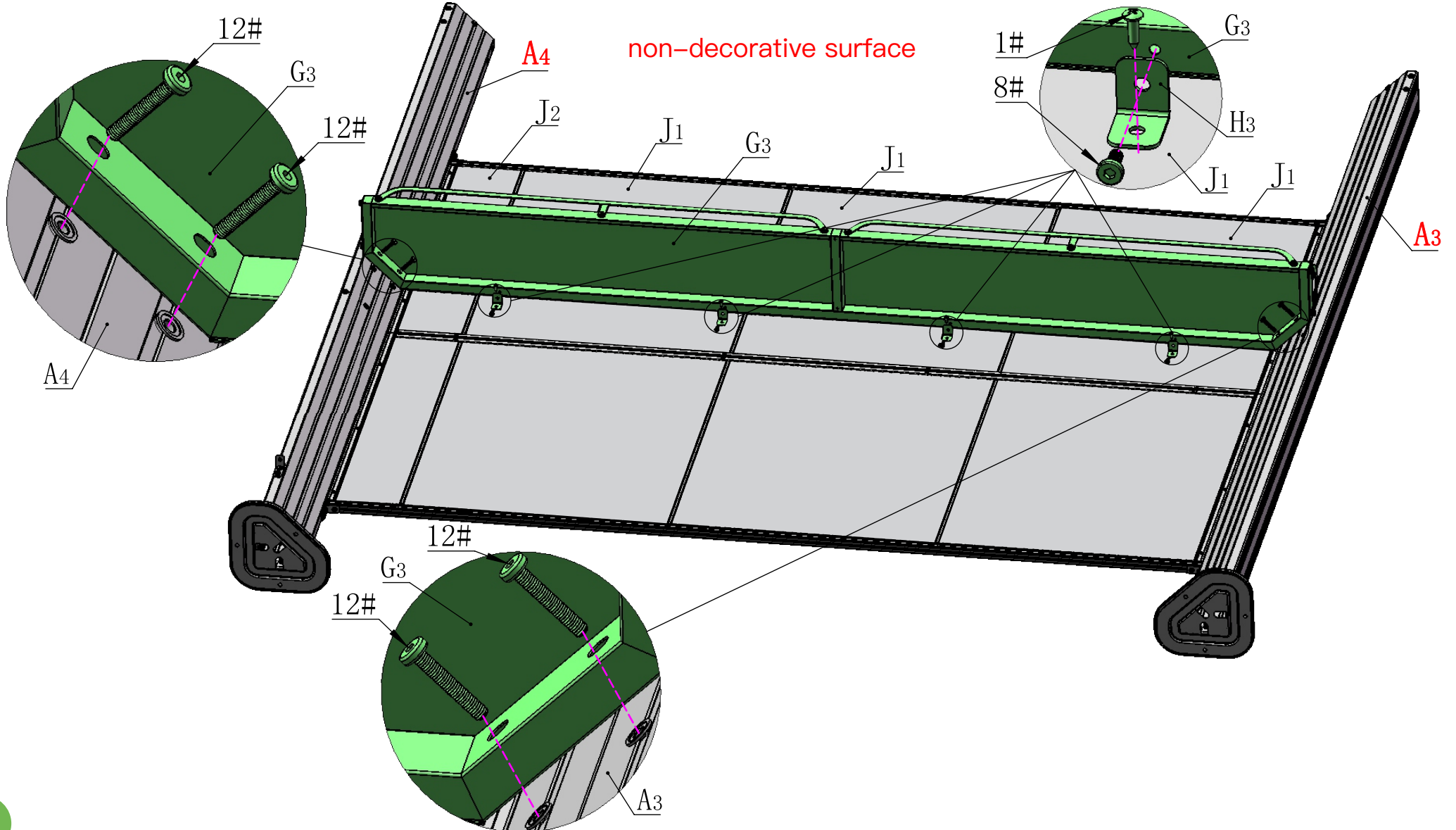
8# 4X

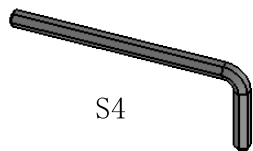
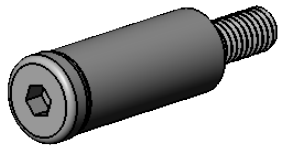


12# 4X



18# 1X

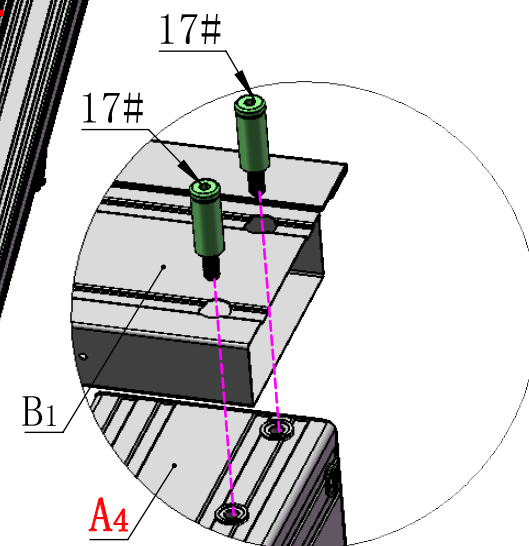
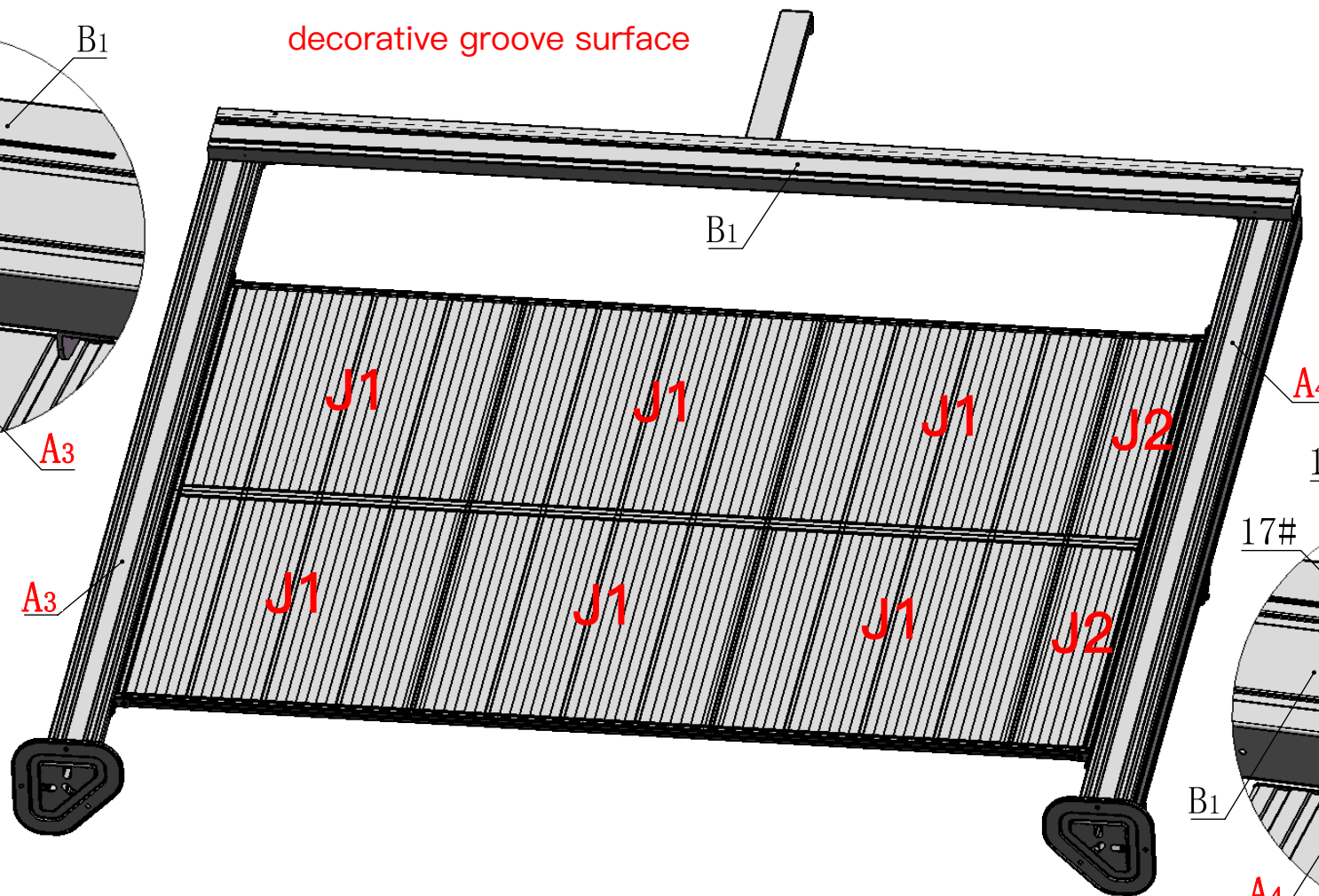
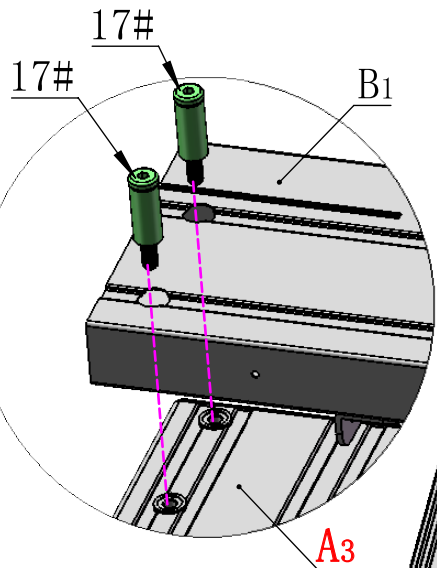


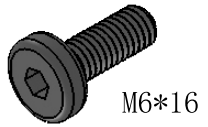


17# 4X

18# 1X

decorative groove surface

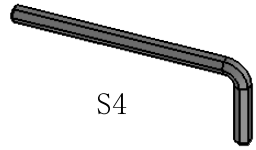




M6*16

11#

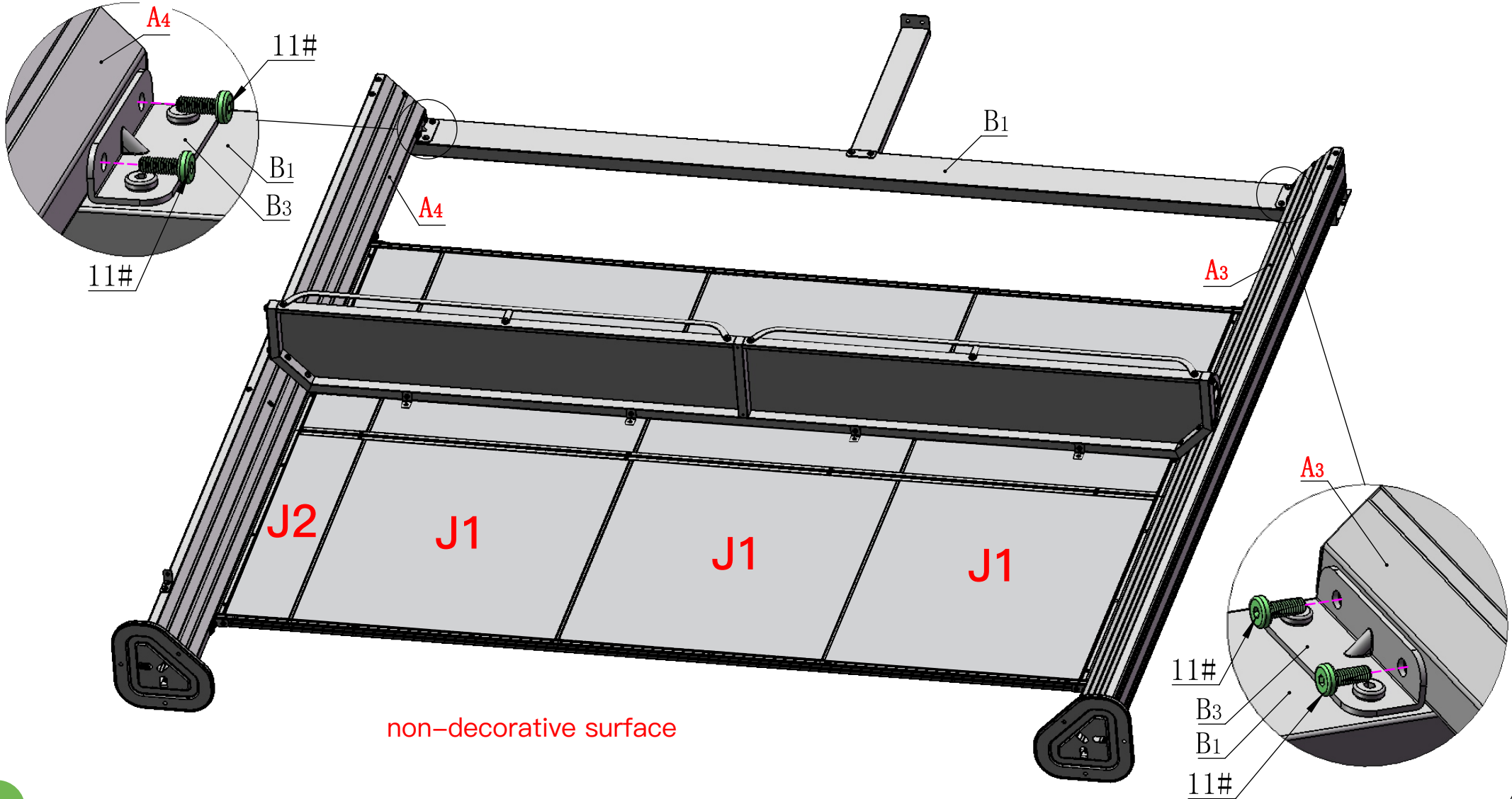
4X



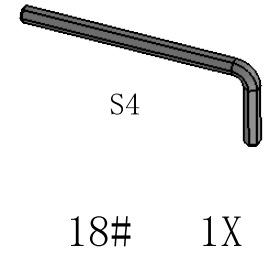
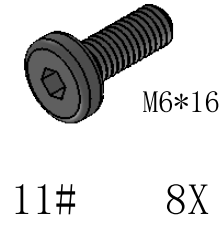
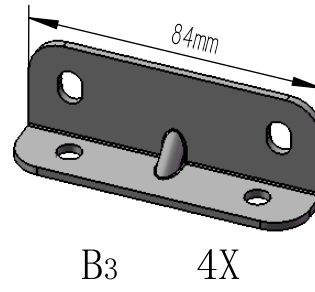
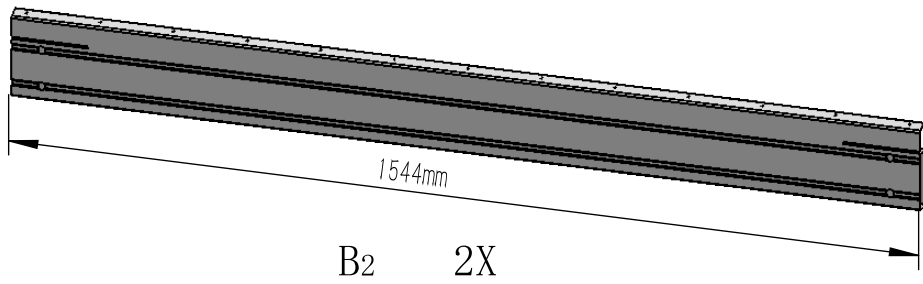
S4

18#

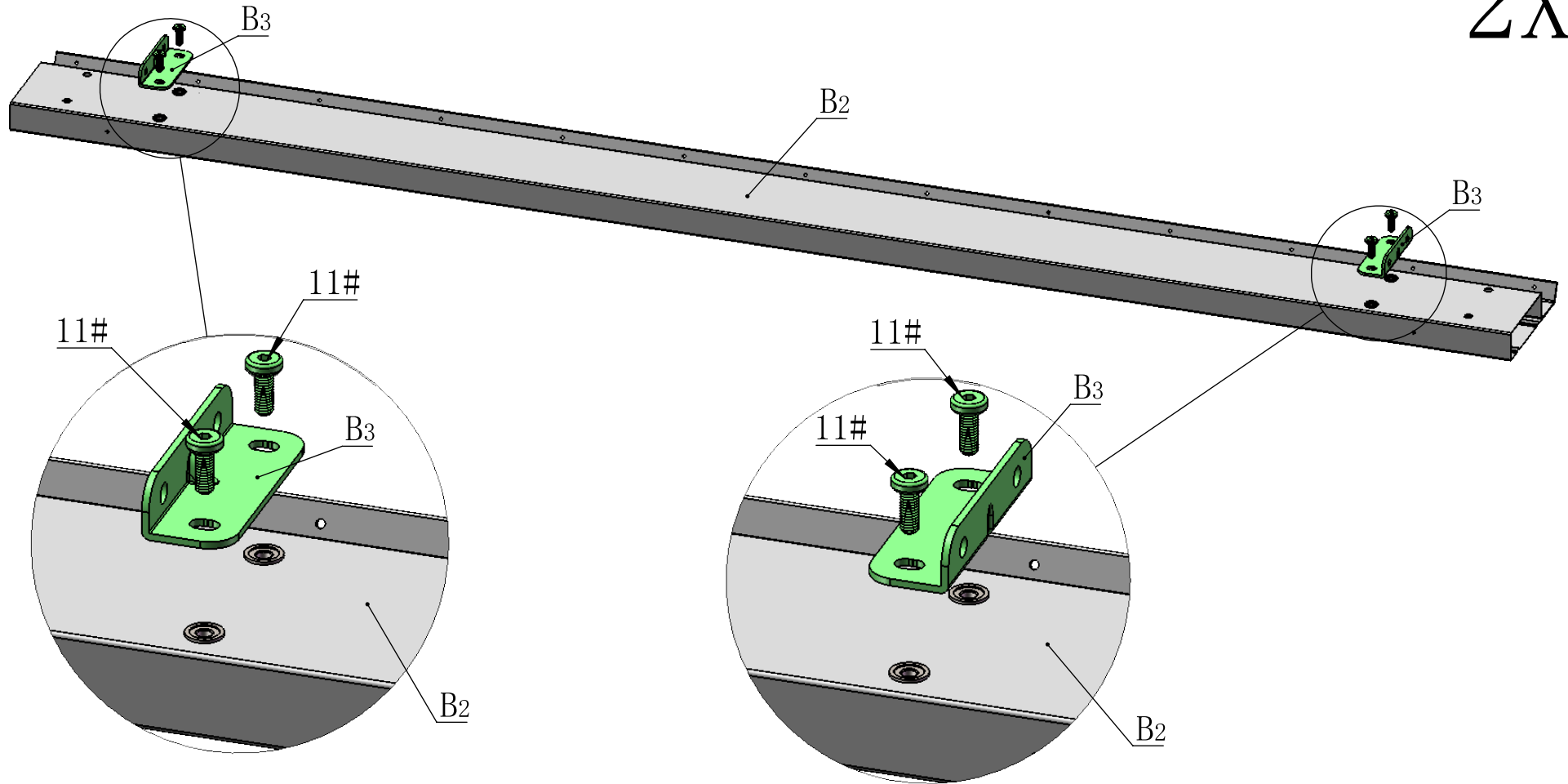
1X

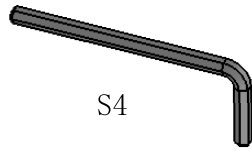
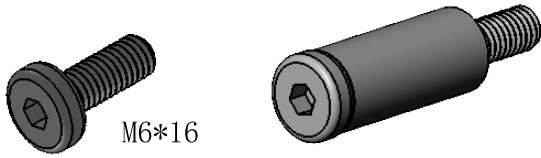


non-decorative surface



2X

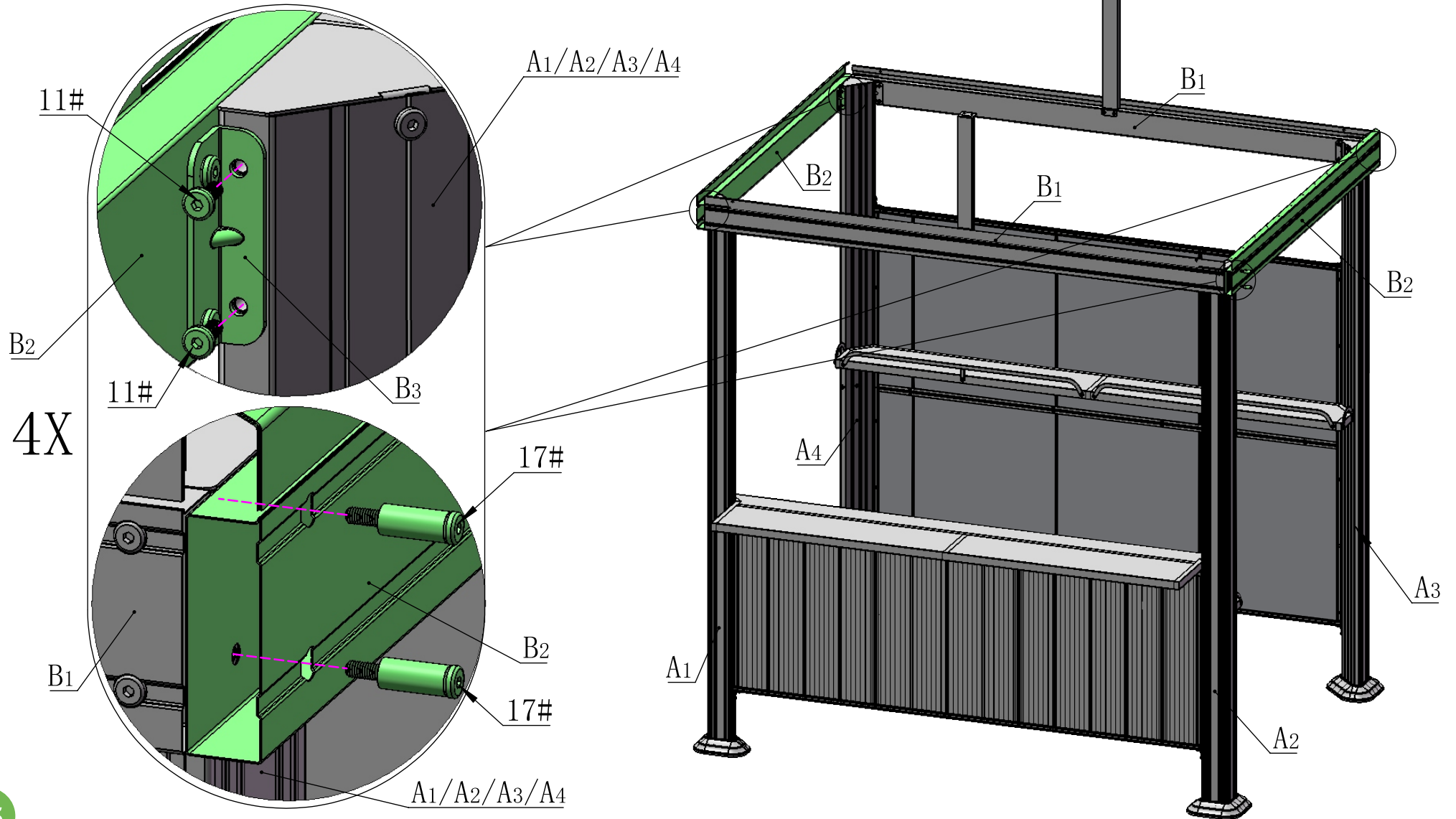


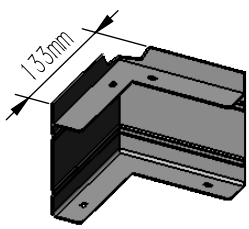


11# 8X

17# 8X

18# 1X





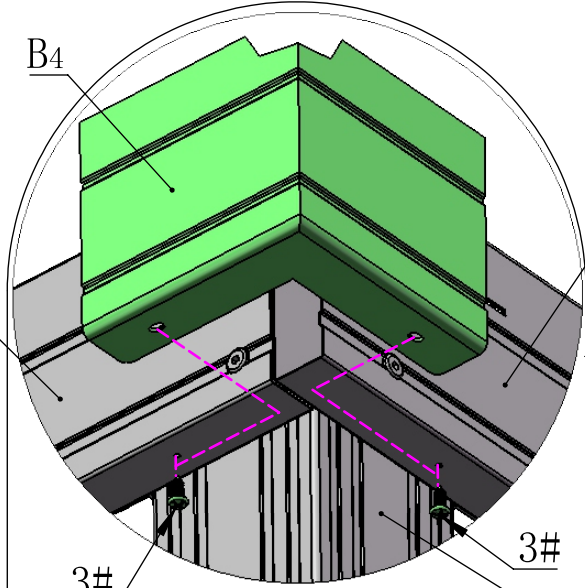
ST5*16

B4

4X

3#

12X



B4

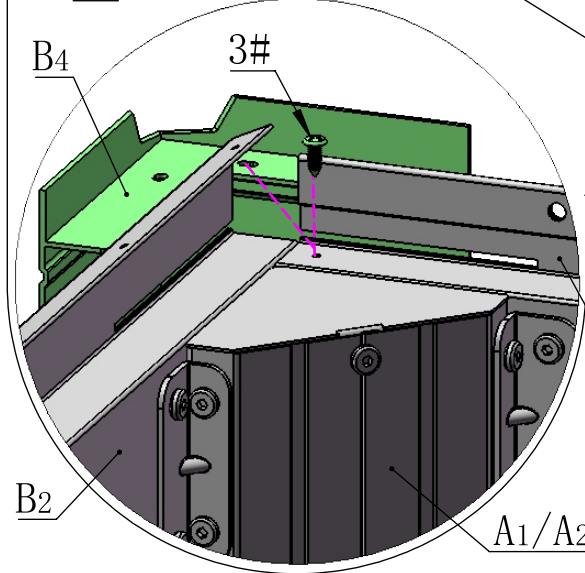
B1

B2

3#

3#

4X



B4

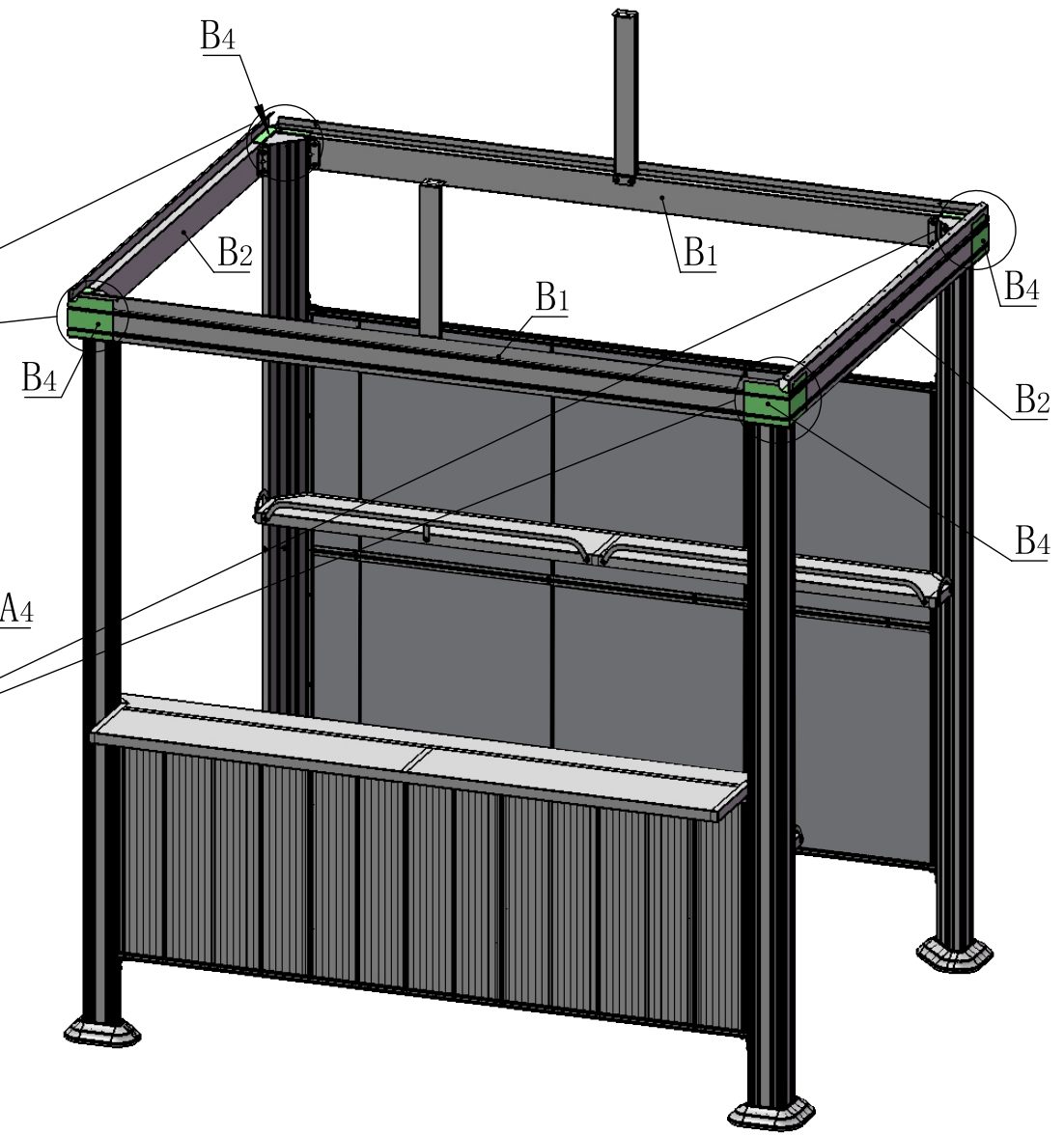
3#

A1/A2/A3/A4

B1

B2

A1/A2/A3/A4



B4

B2

B1

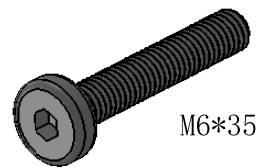
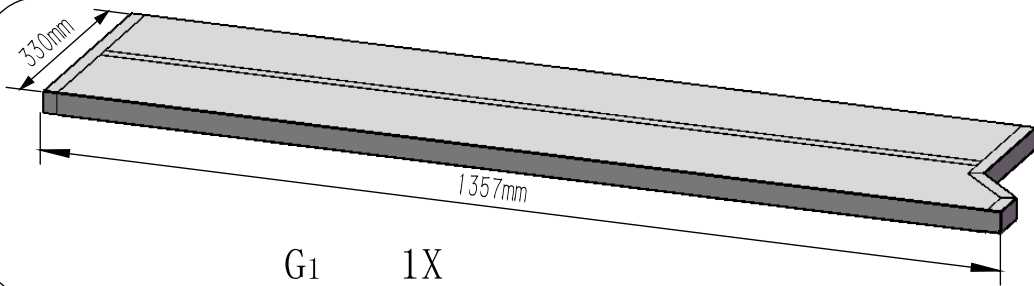
B4

B1

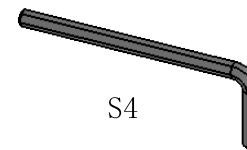
B4

B2

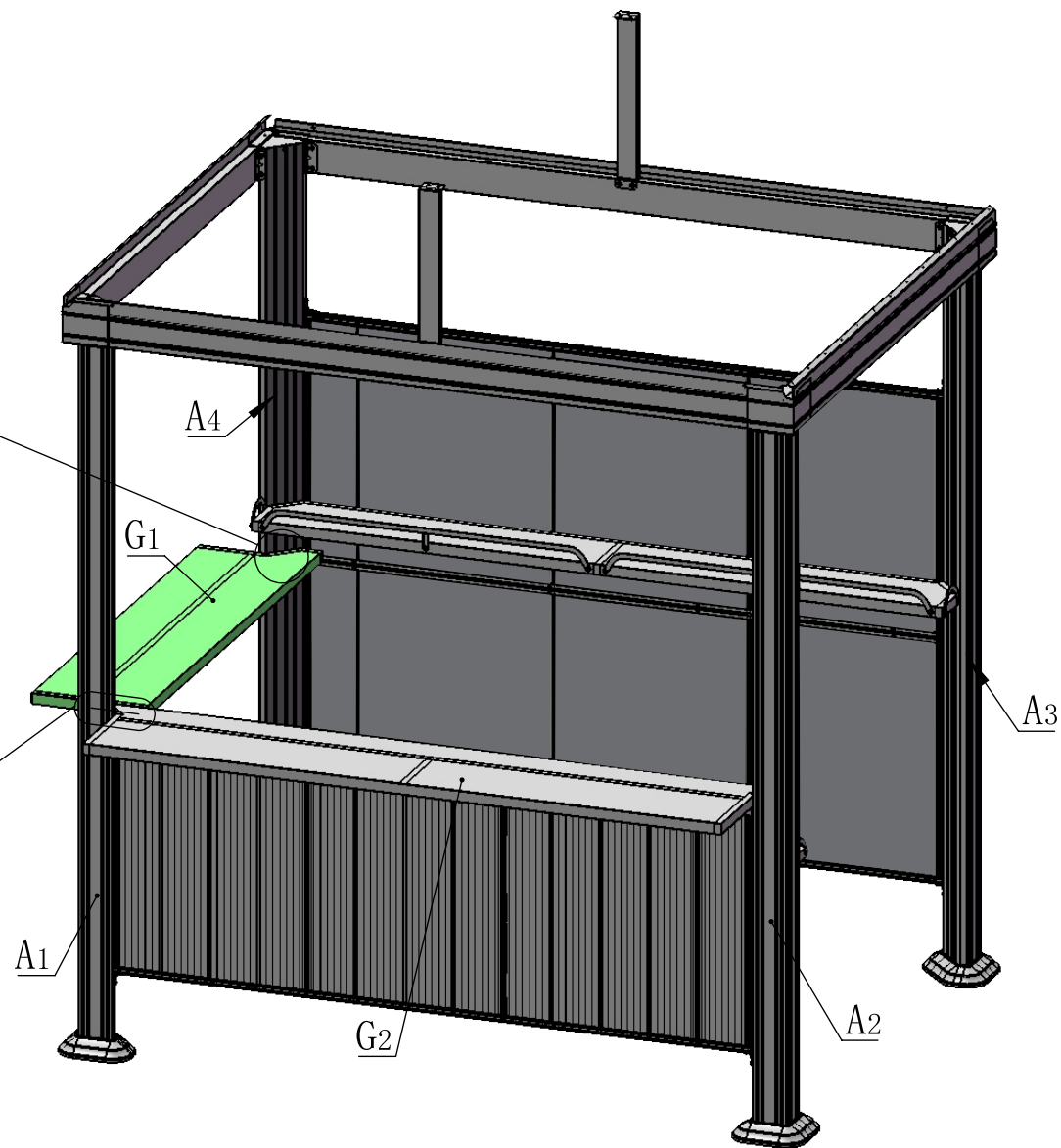
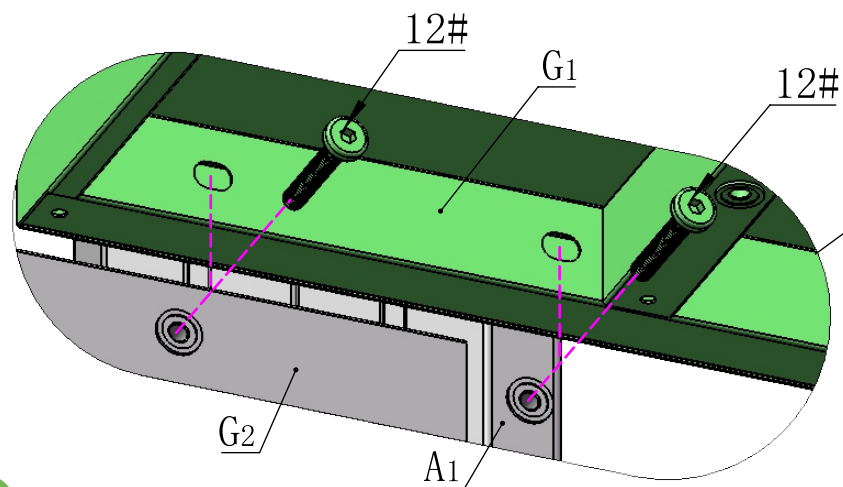
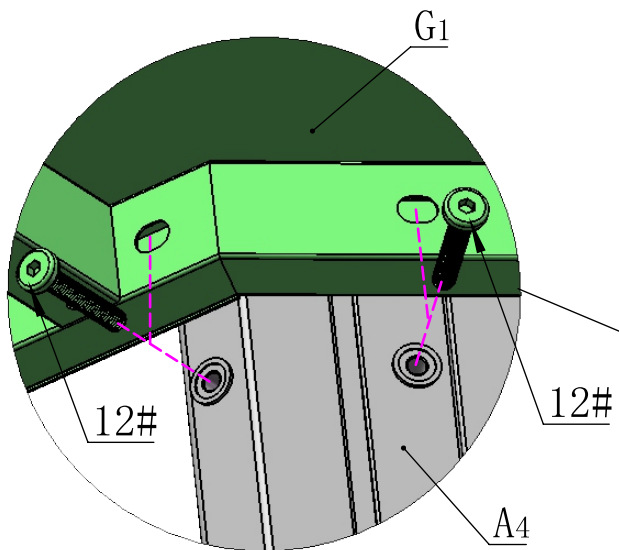
B4

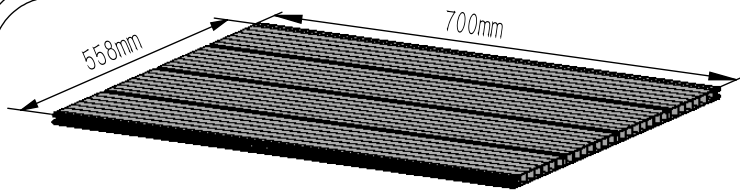


12# 4X

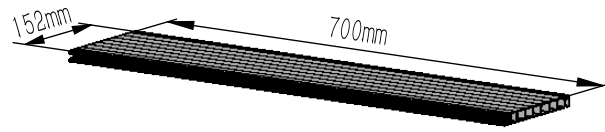


18# 1X

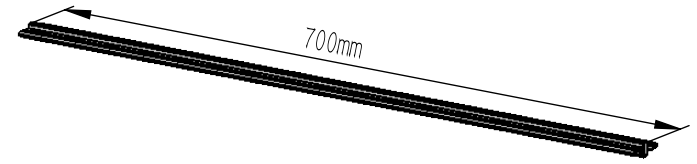




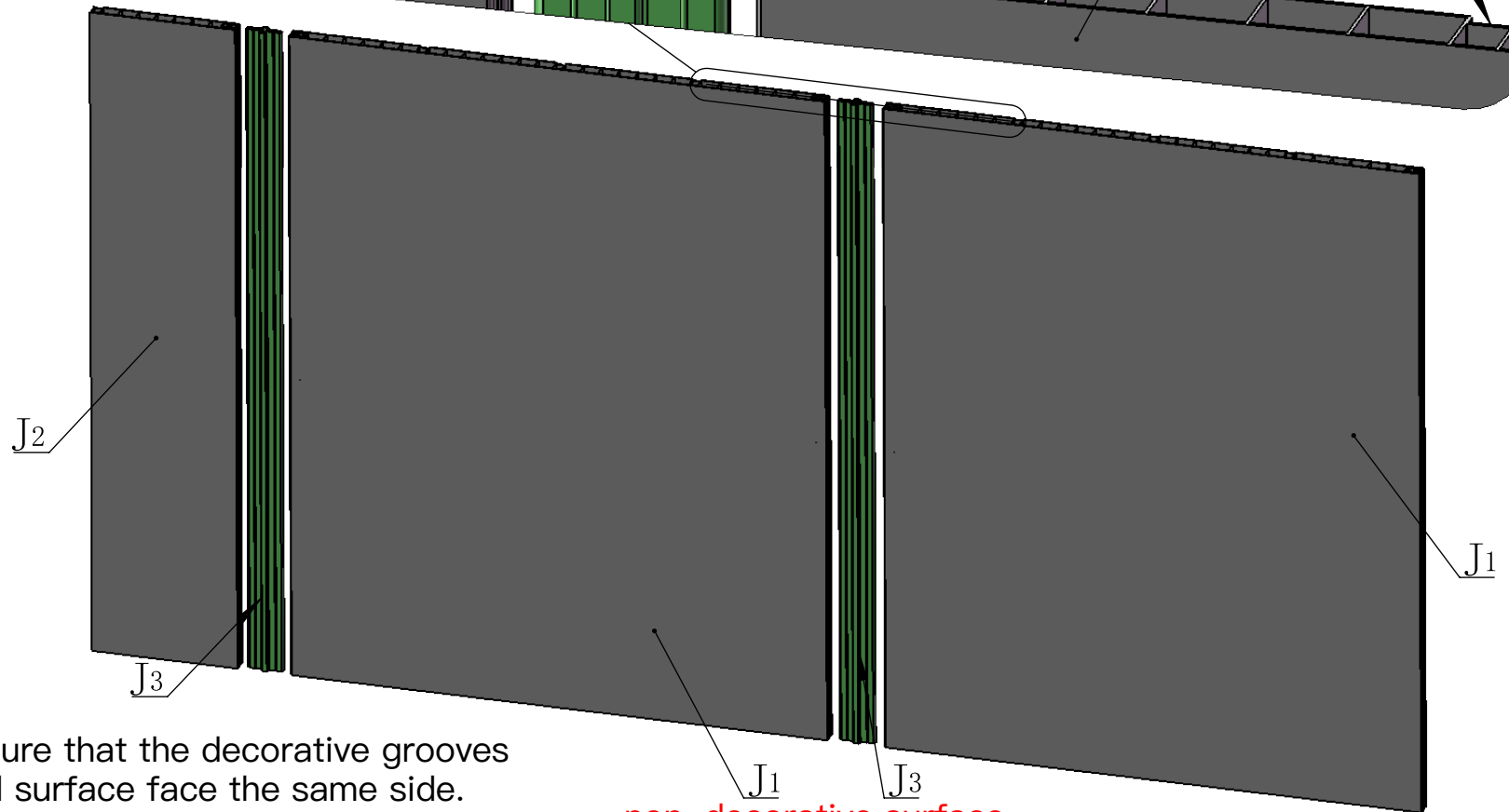
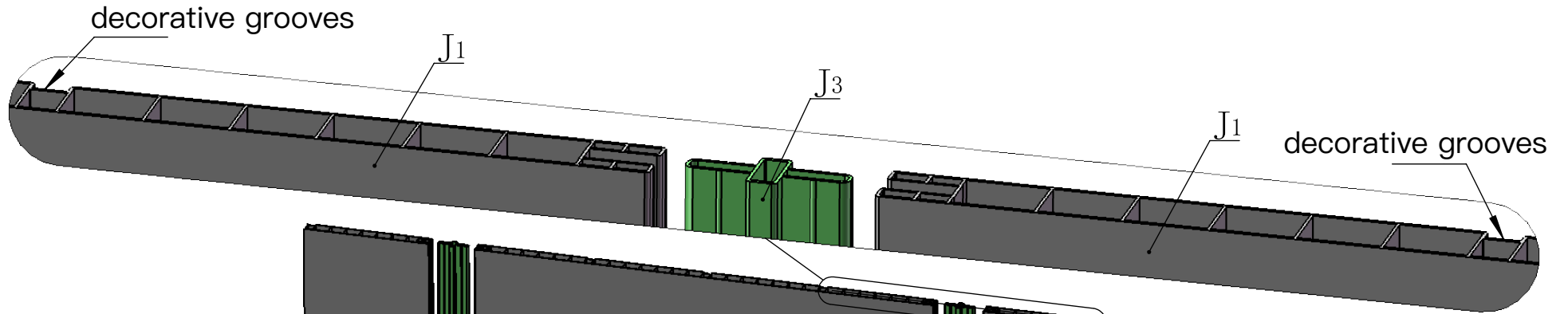
J1 2X



J2 1X

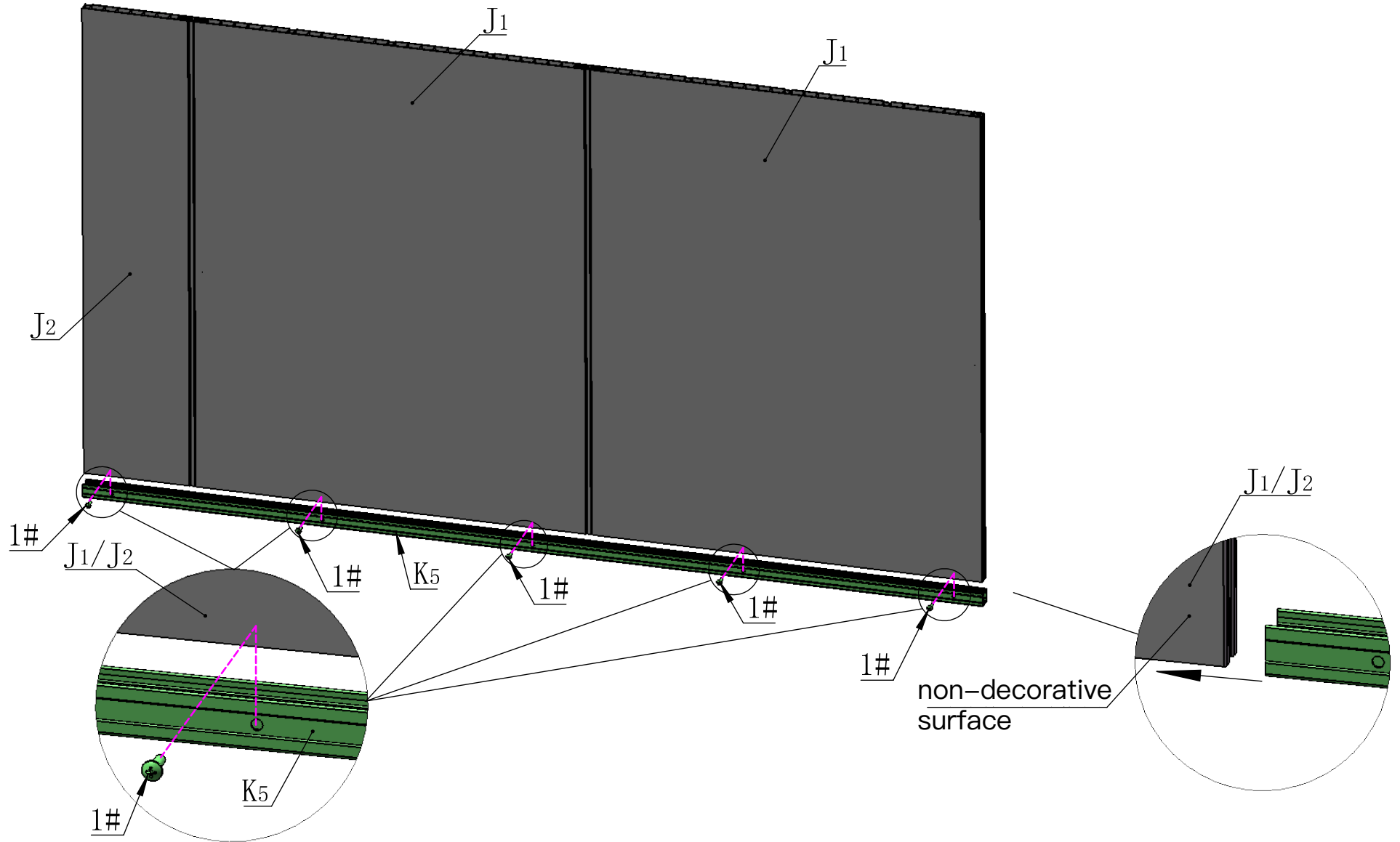
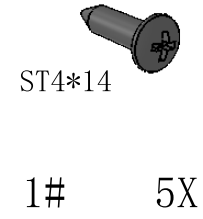
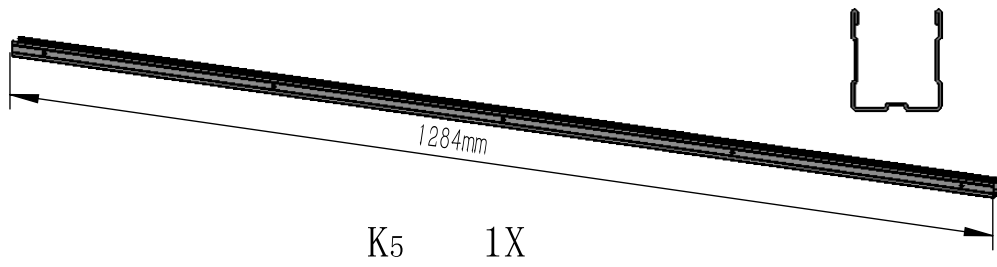


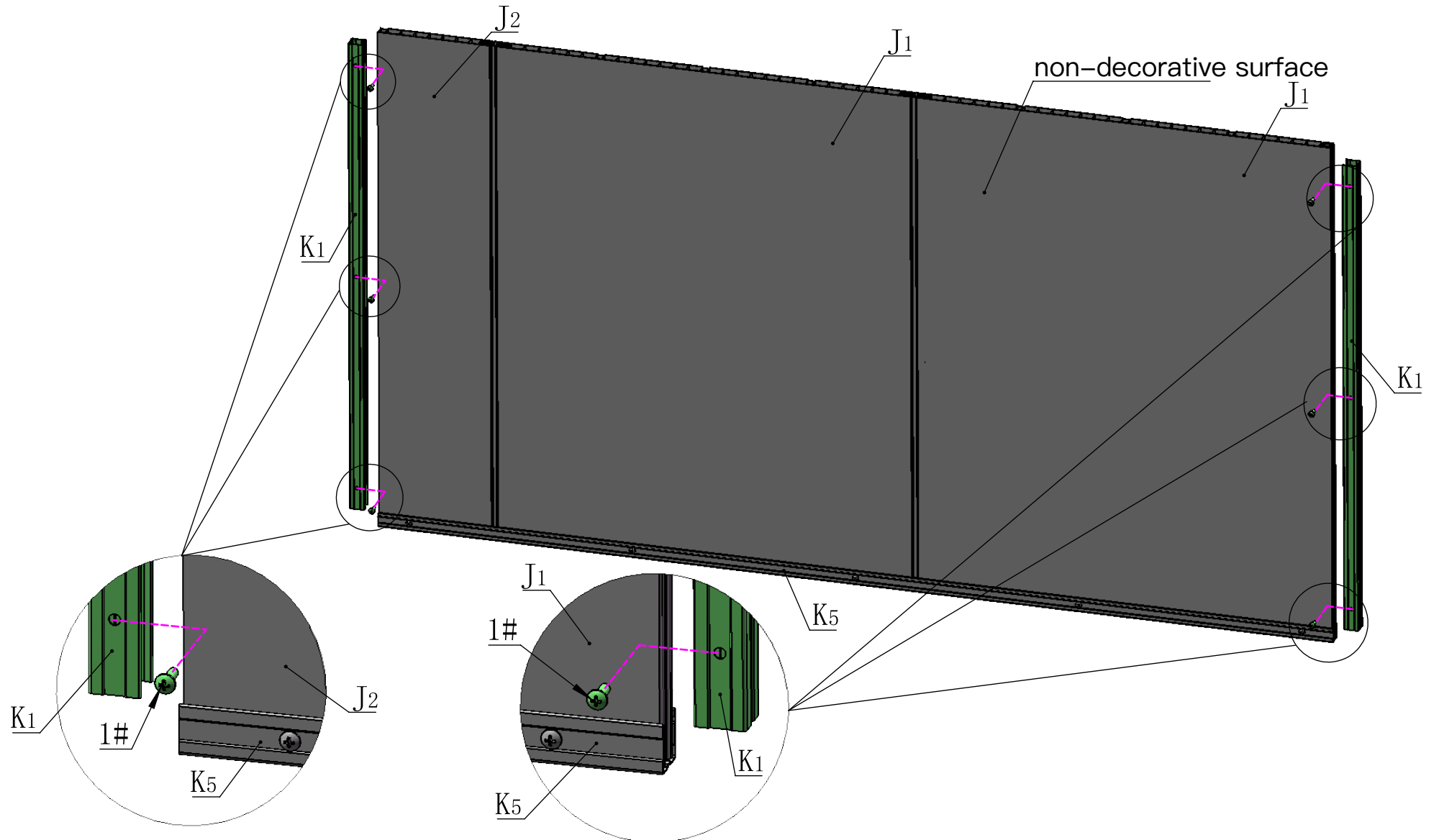
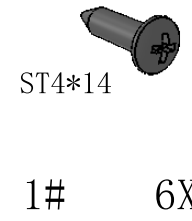
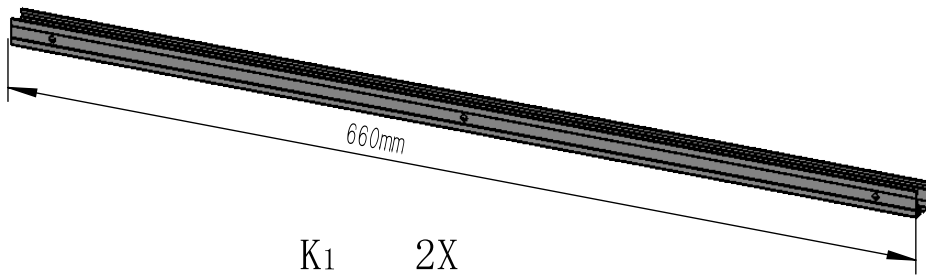
J3 2X

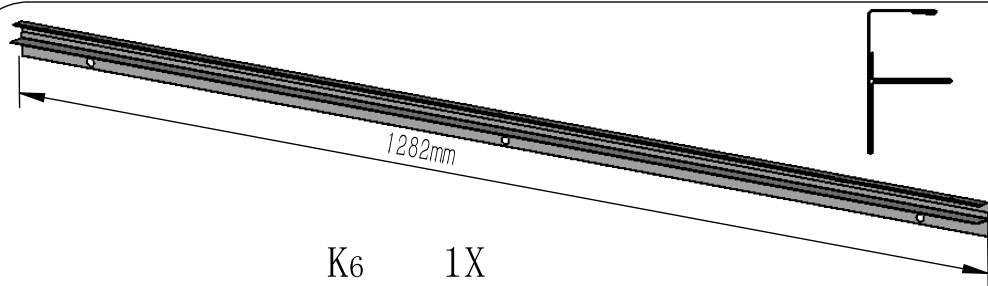


NOTE: Make sure that the decorative grooves and embossed surface face the same side.

non-decorative surface

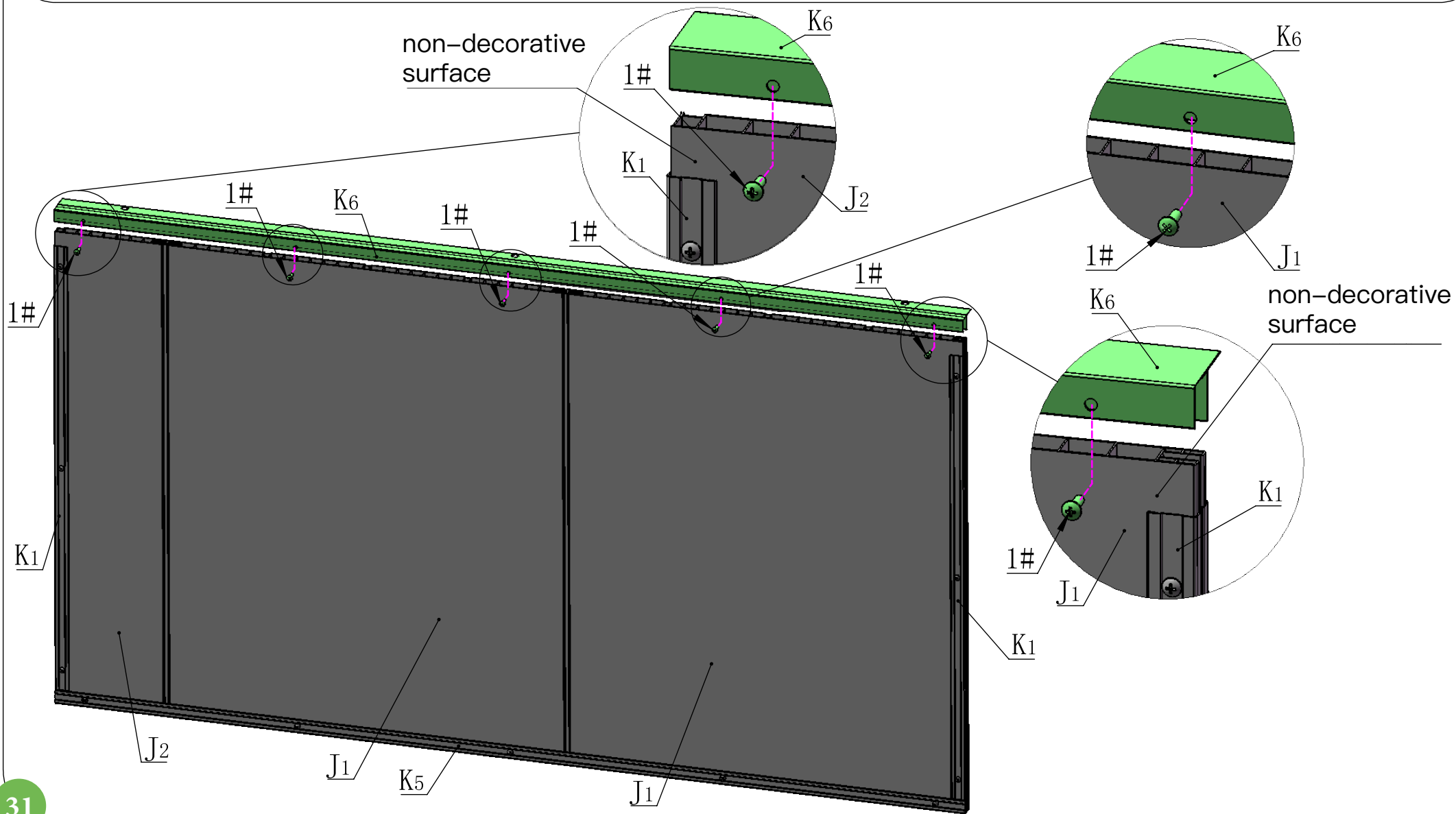


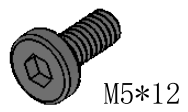




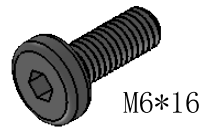
ST4*14

1# 5X

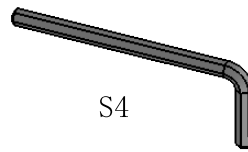




M5*12



M6*16



S4

8#

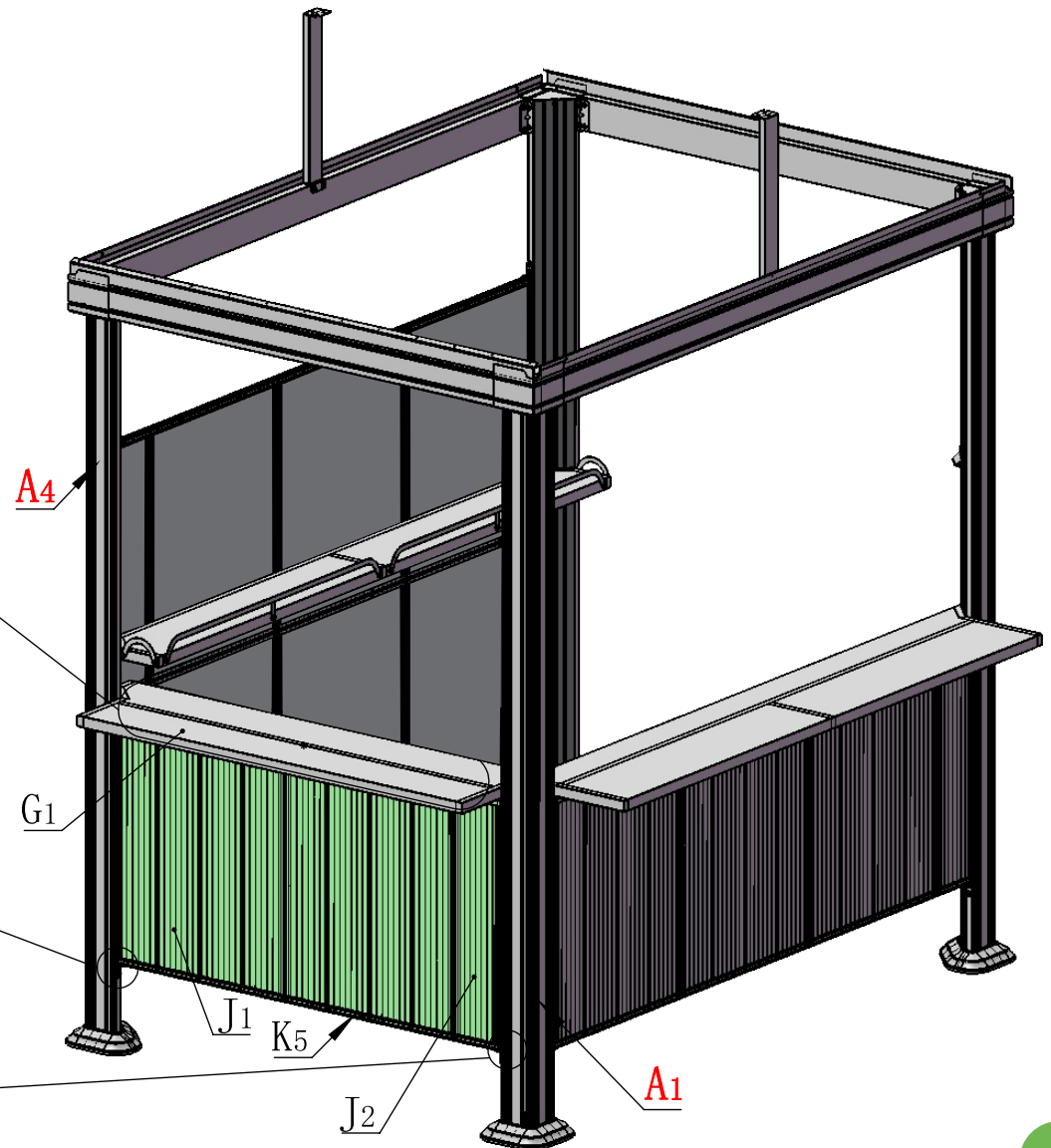
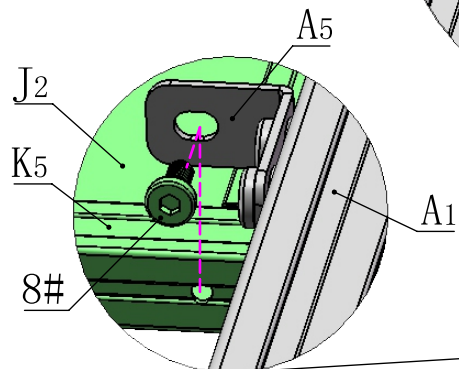
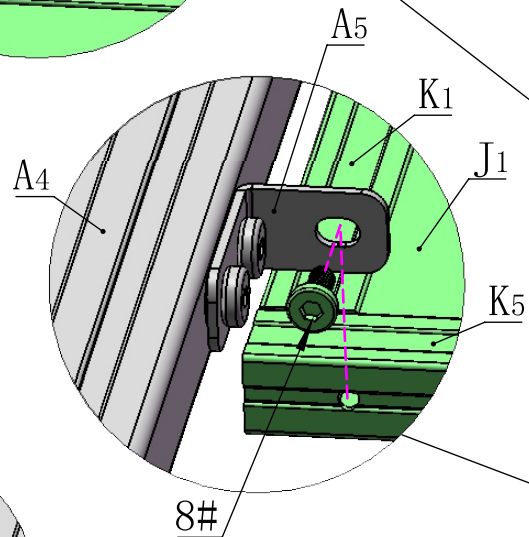
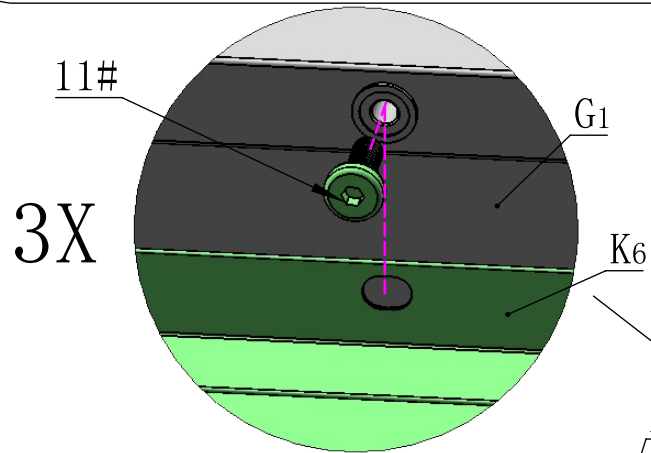
2X

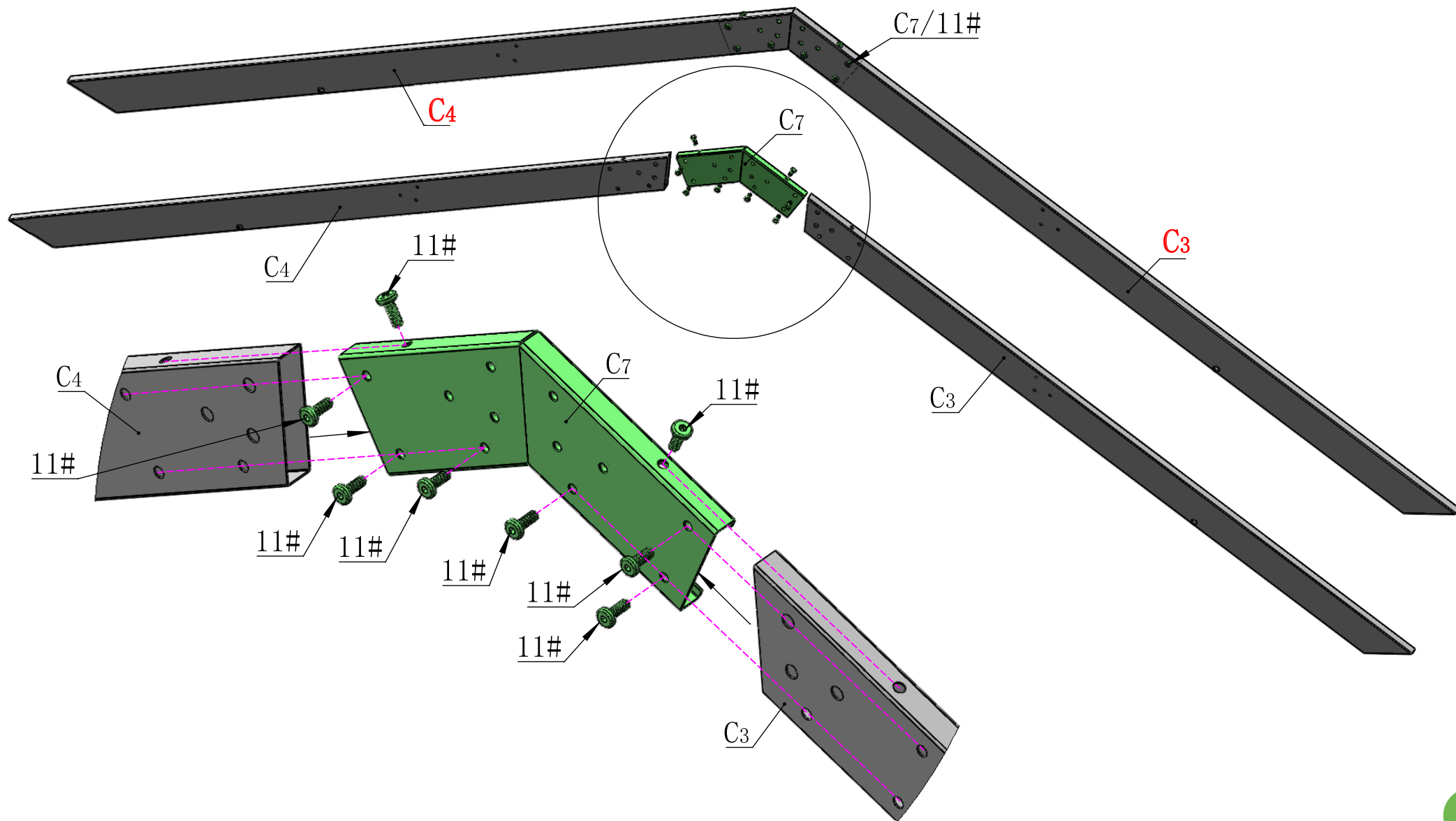
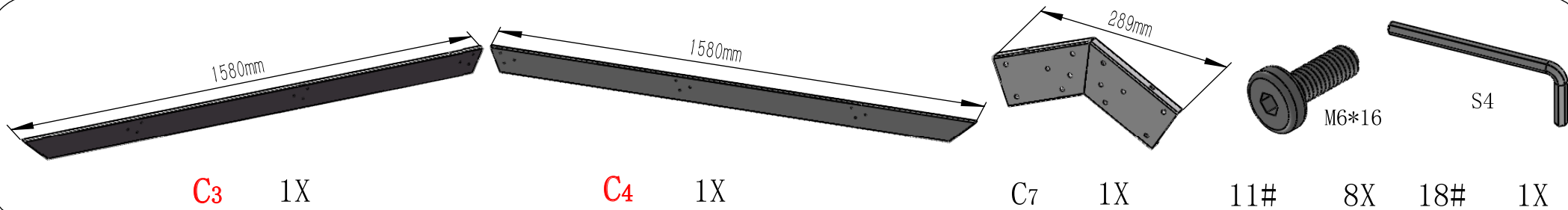
11#

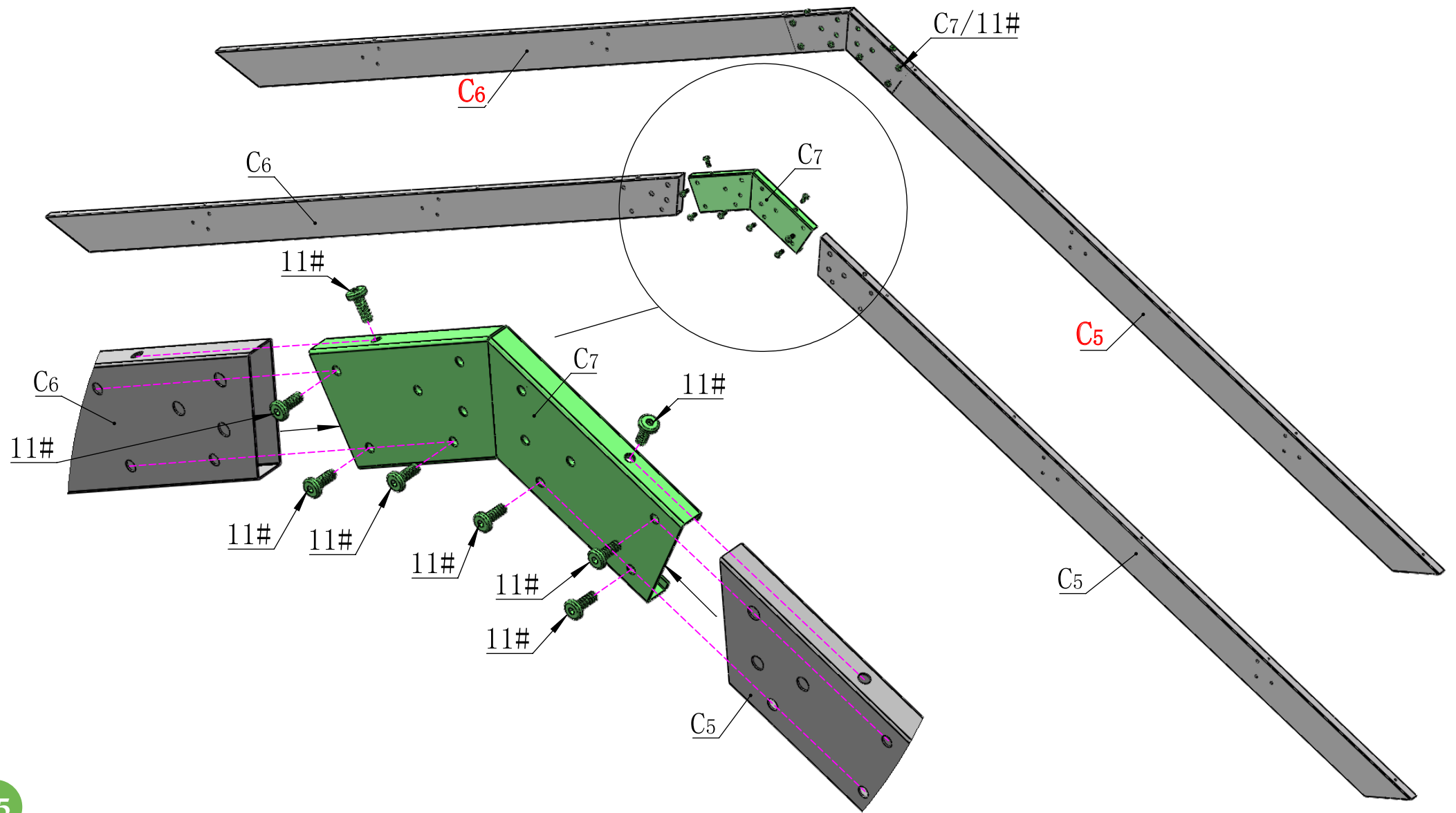
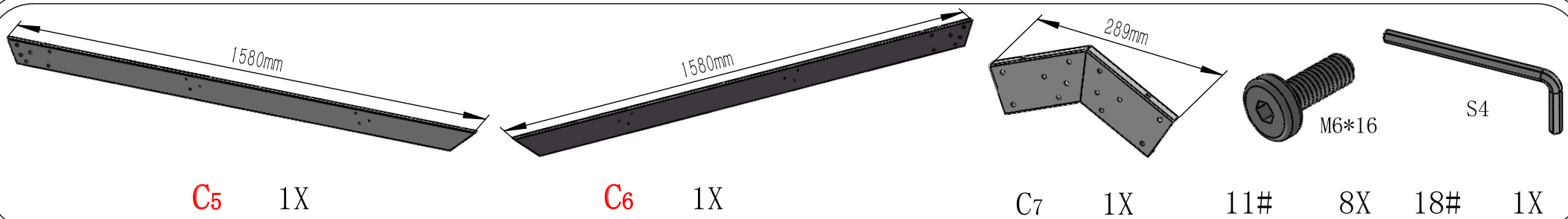
3X

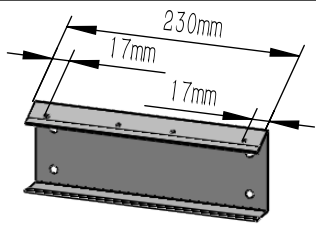
18#

1X

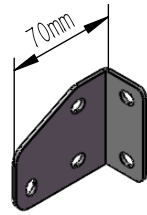




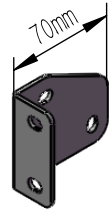




D1 2X



D3 2X



D4 2X



M6*12

10# 4X



M6

13# 4X



M6

14# 4X



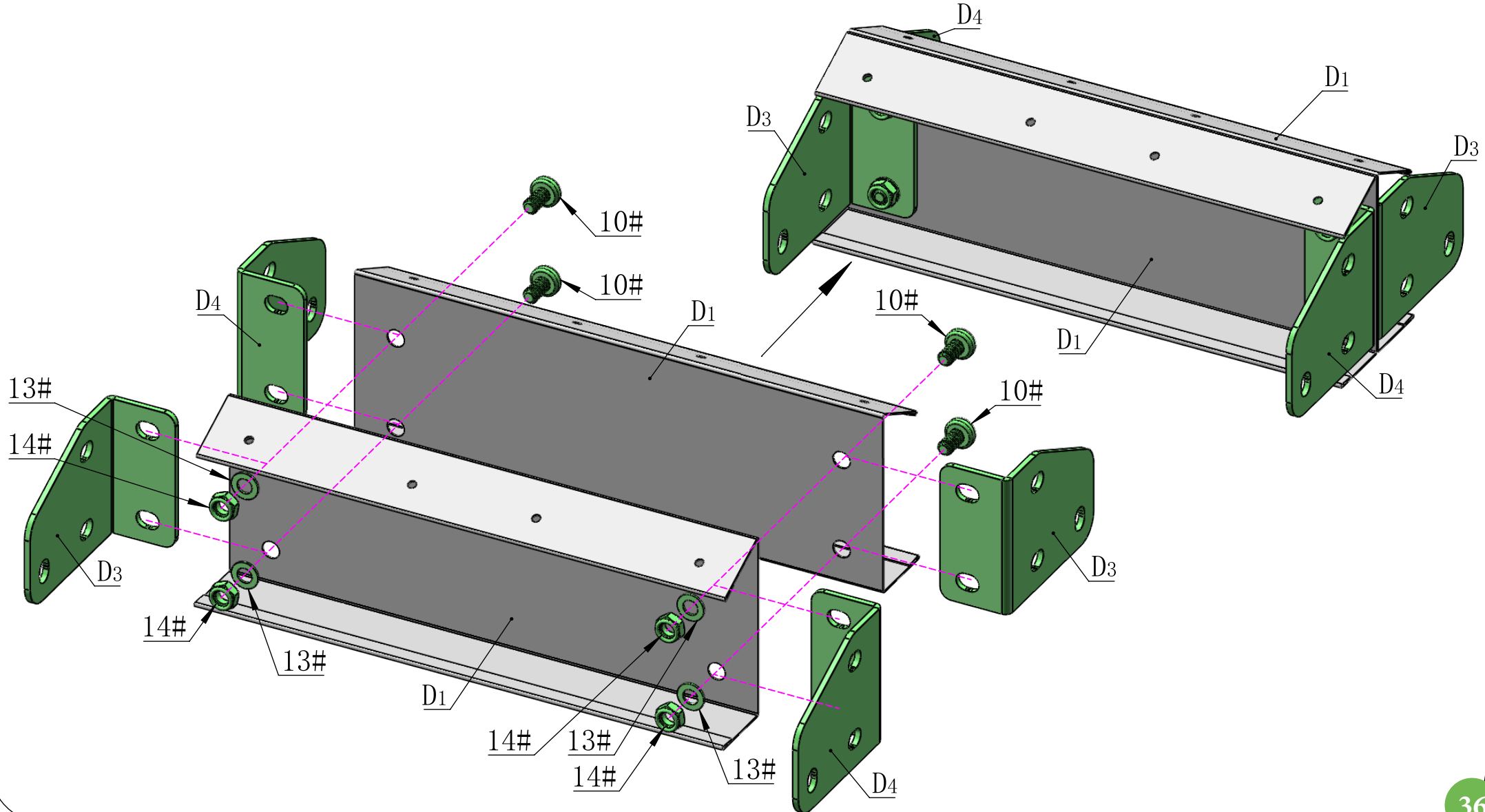
S4

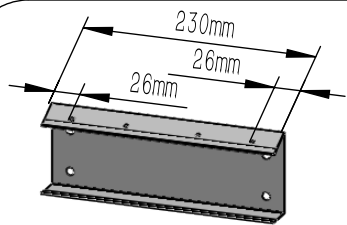
18# 1X



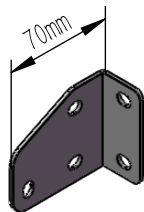
S10

19# 1X

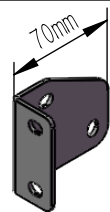




D2 4X



D3 4X



D4 4X



M6*12

10# 16X



M6

13# 16X



M6

14# 16X



S4

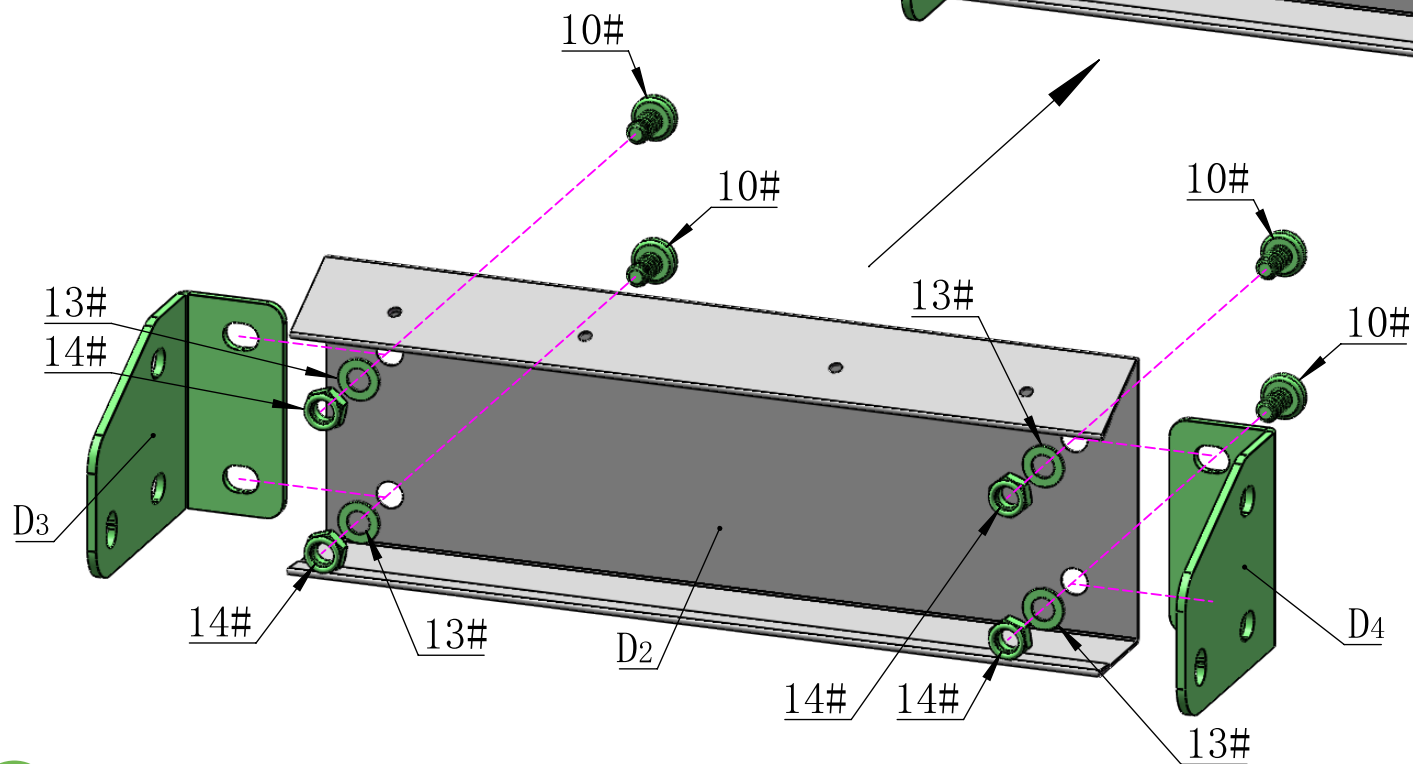
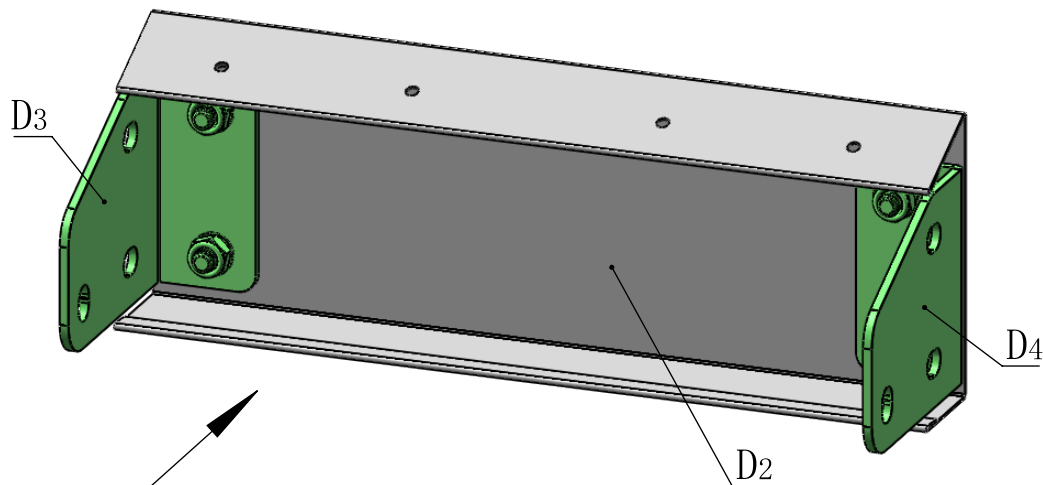
18# 1X

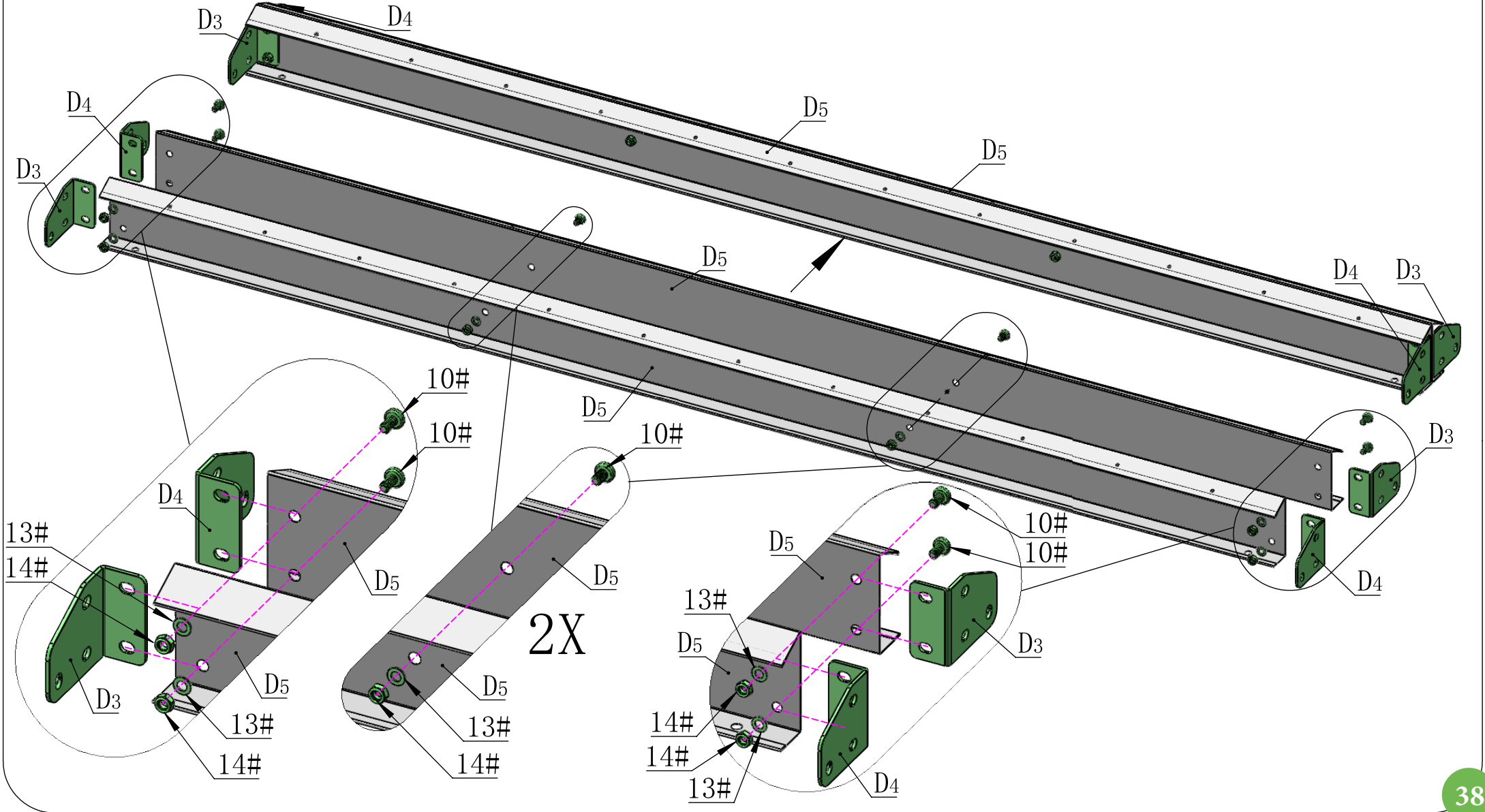
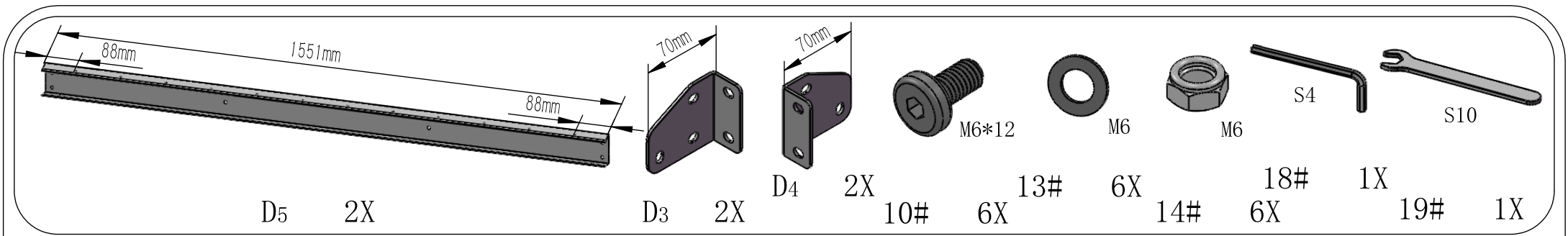


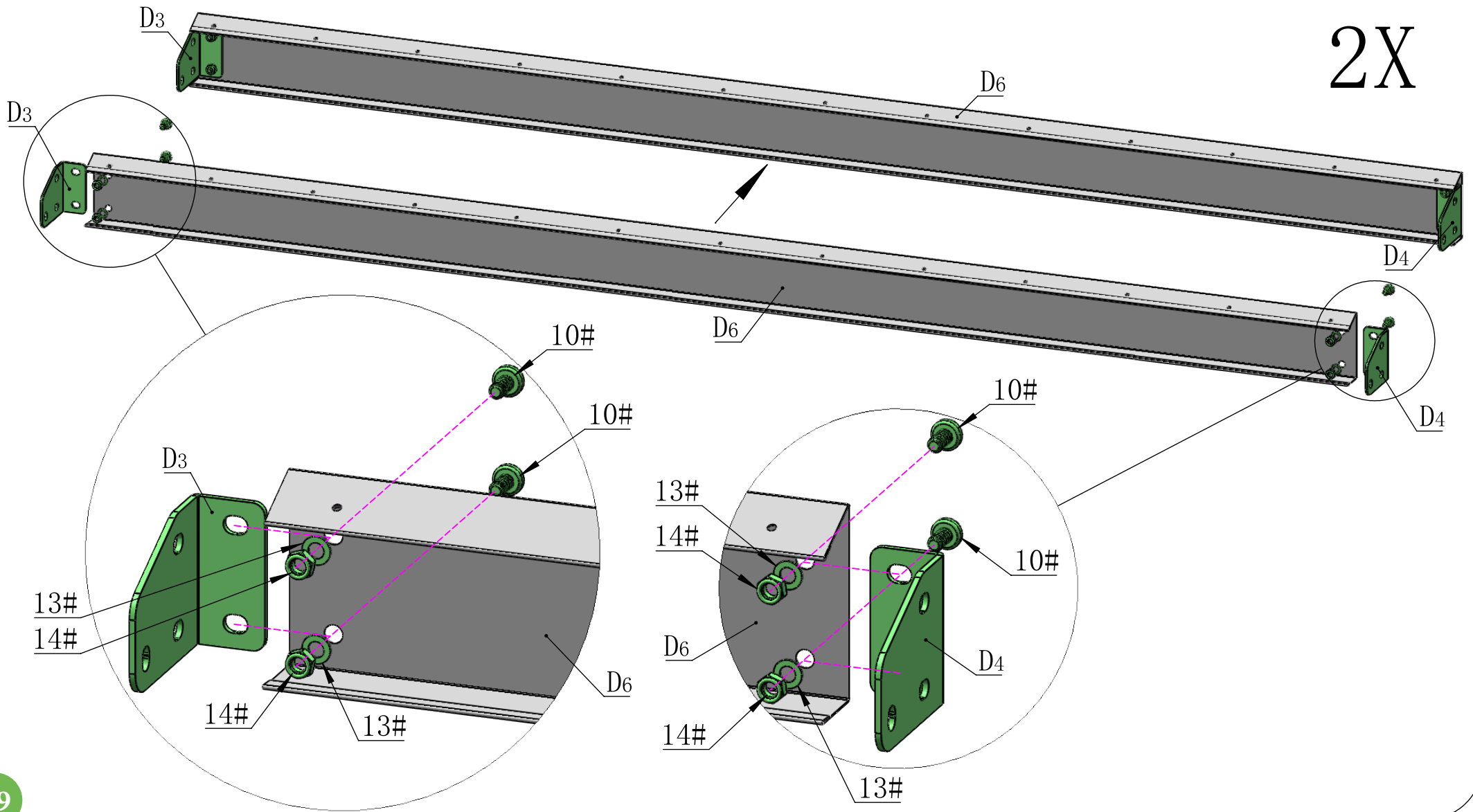
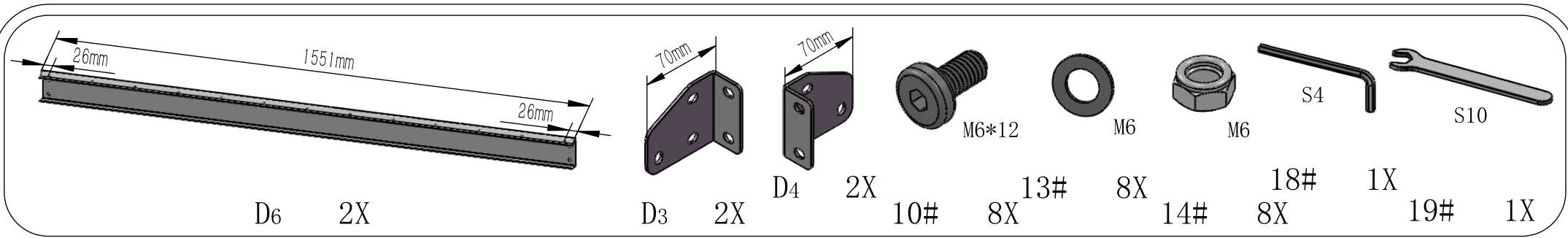
S10

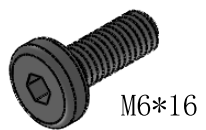
19# 1X

4X

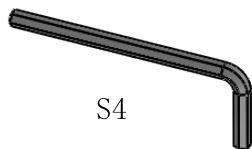








M6*16



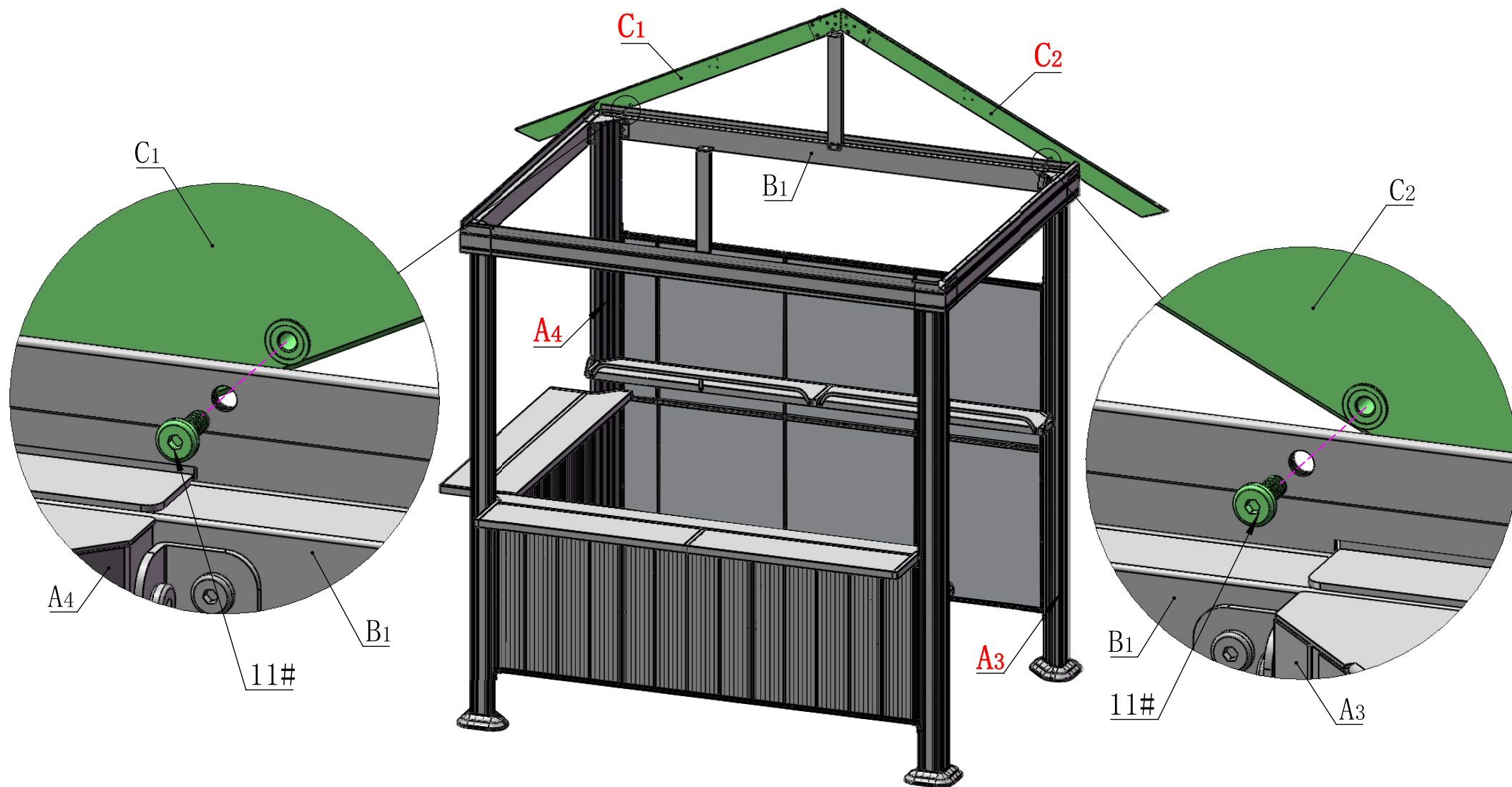
S4

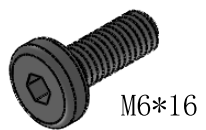
11#

2X

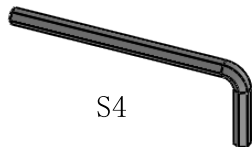
18#

1X





M6*16



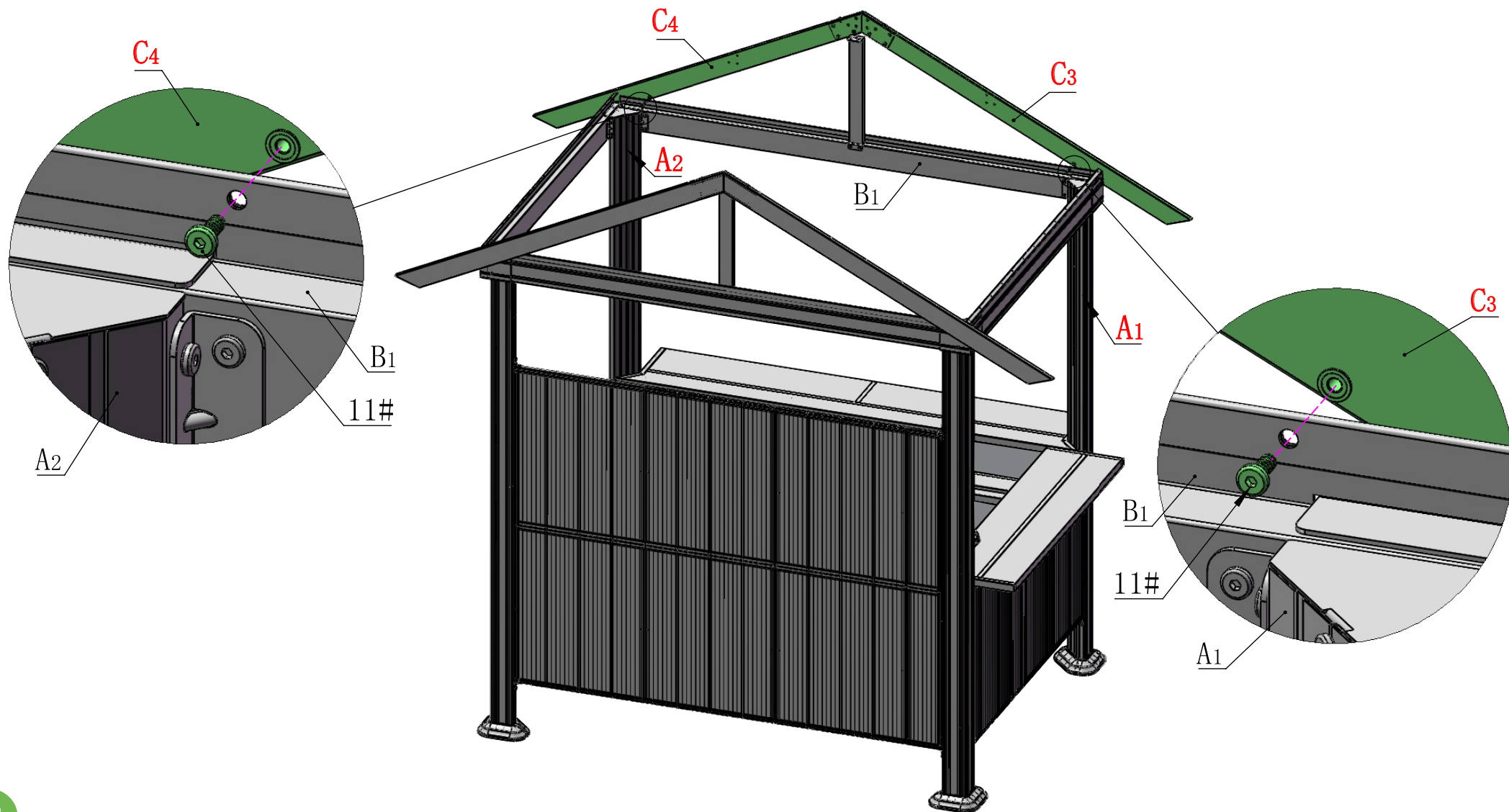
S4

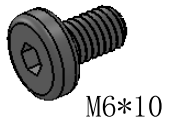
11#

2X

18#

1X





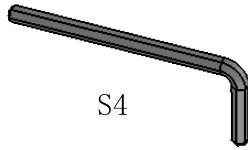
M6*10



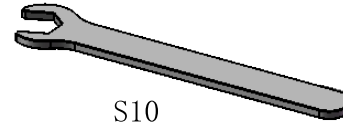
M6



M6



S4



S10

9#

16X

13#

4X

14#

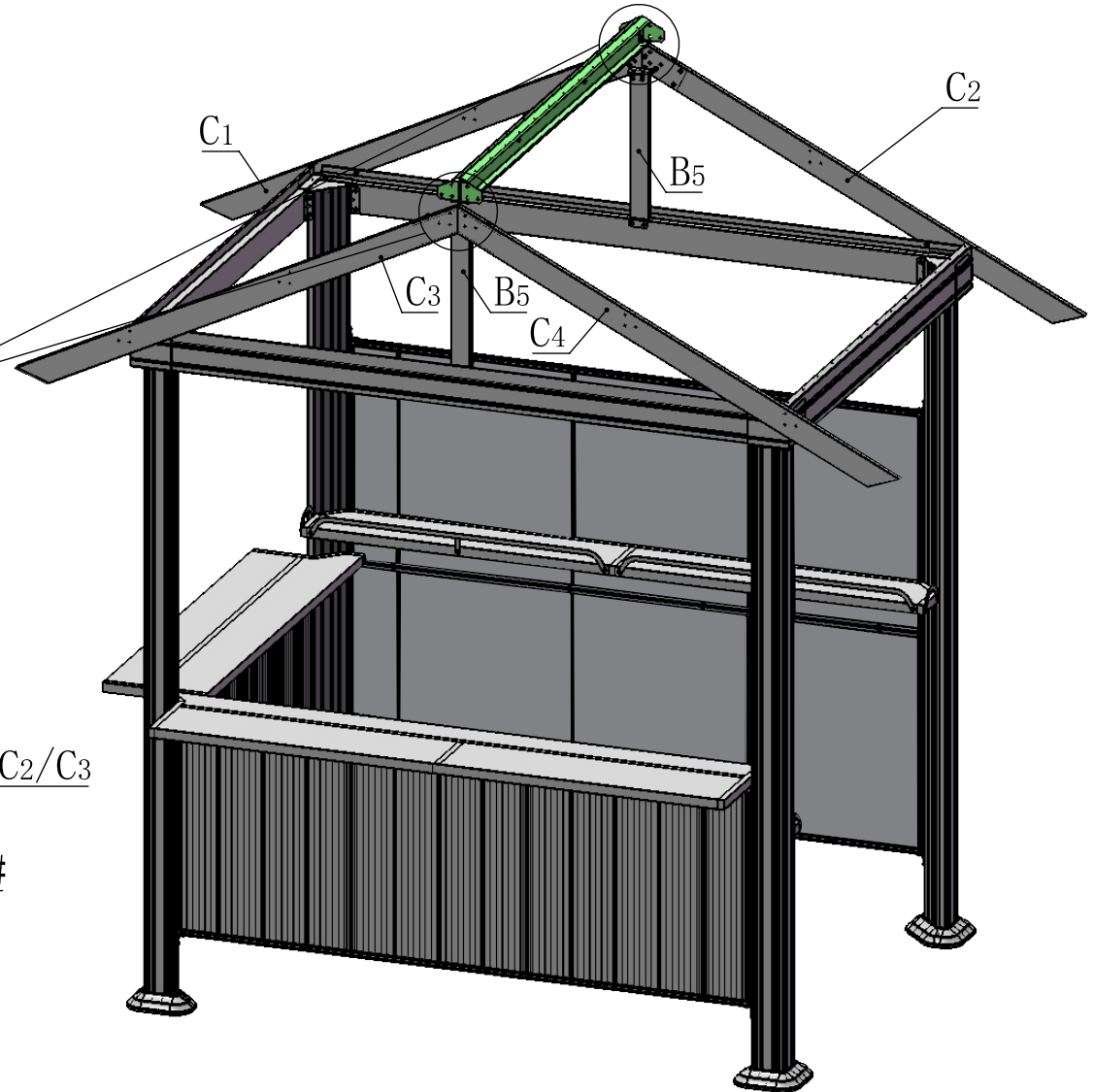
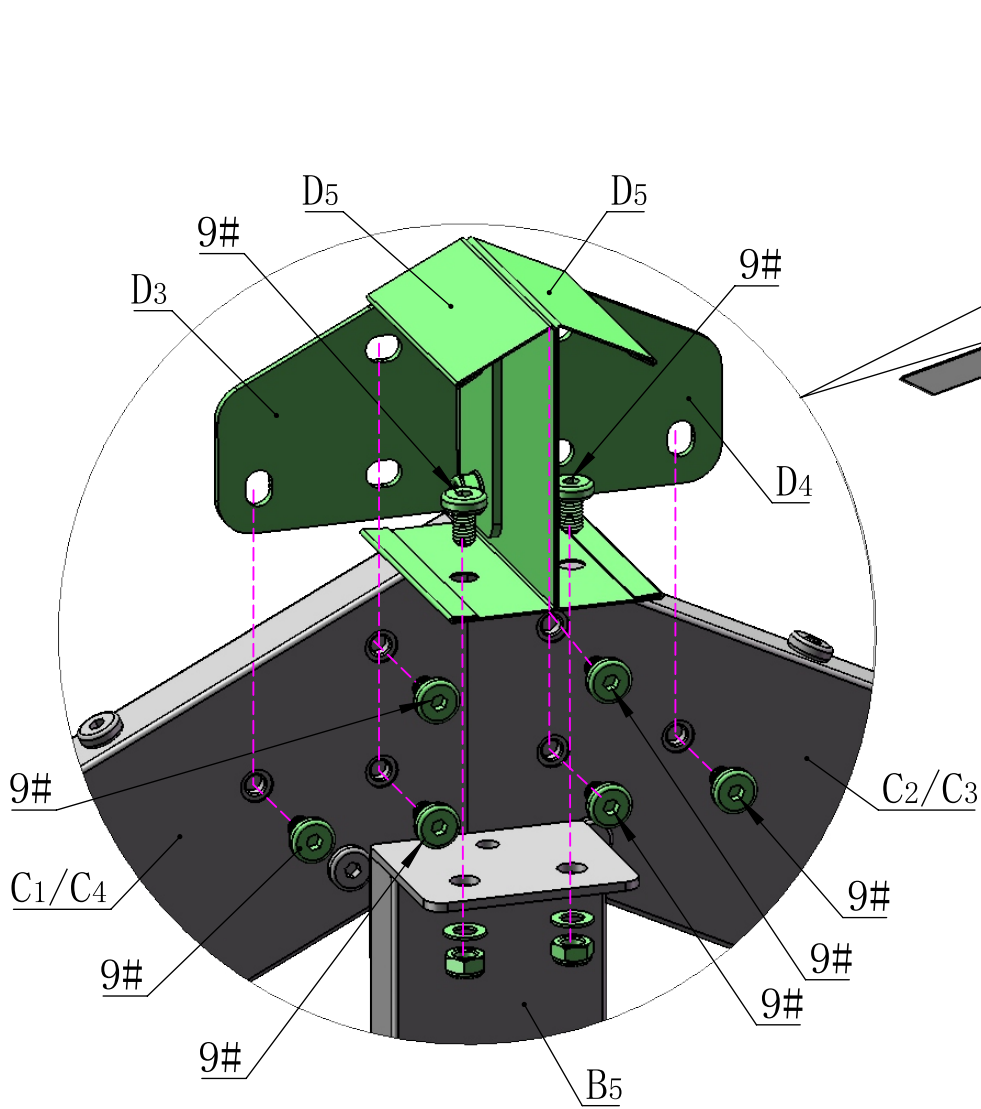
4X

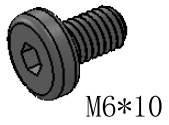
18#

1X

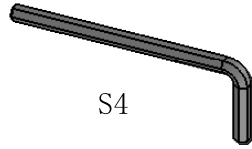
19#

1X





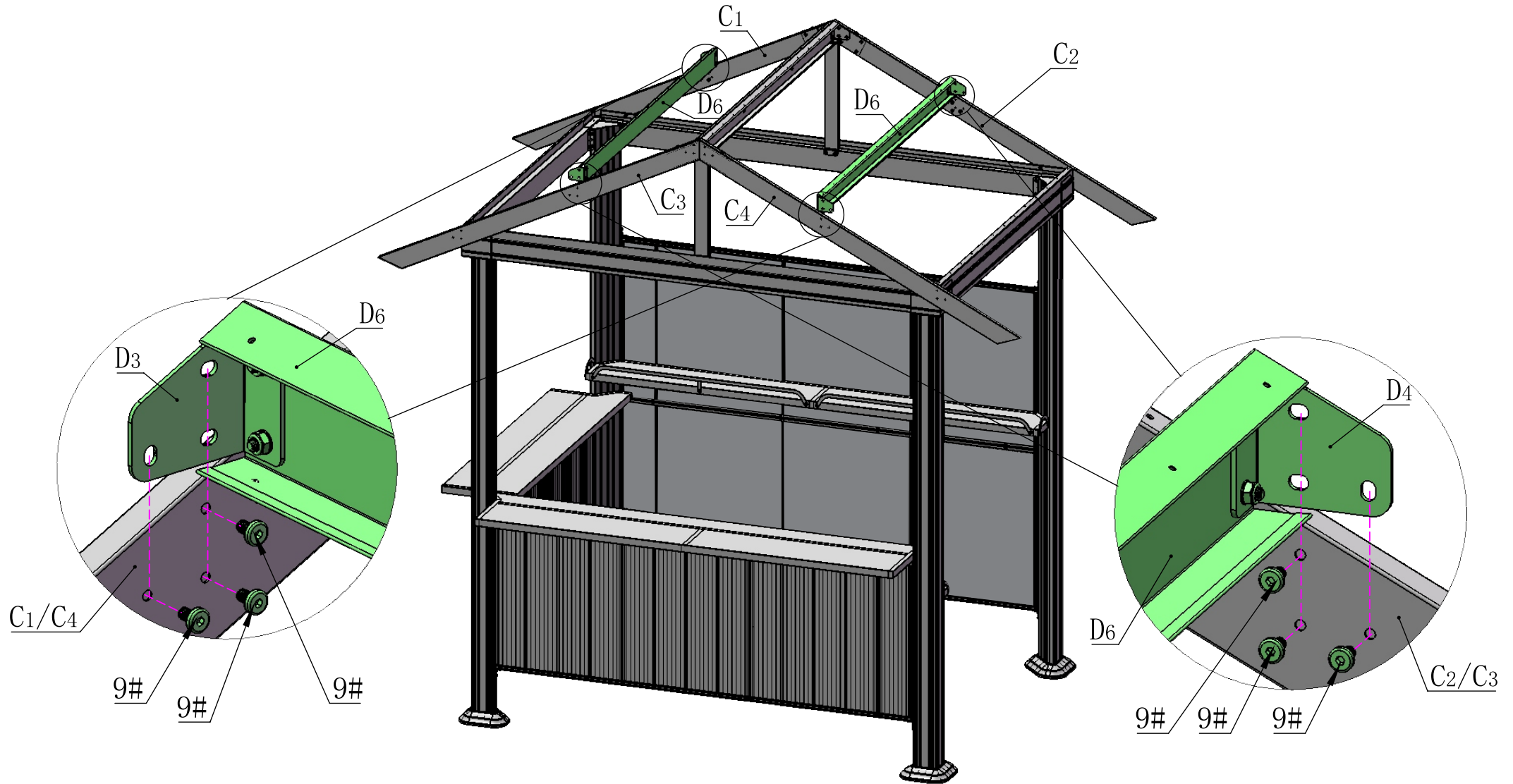
M6*10

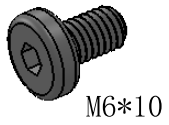


S4

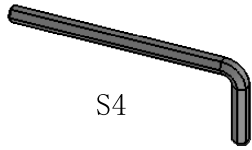
9# 12X

18# 1X





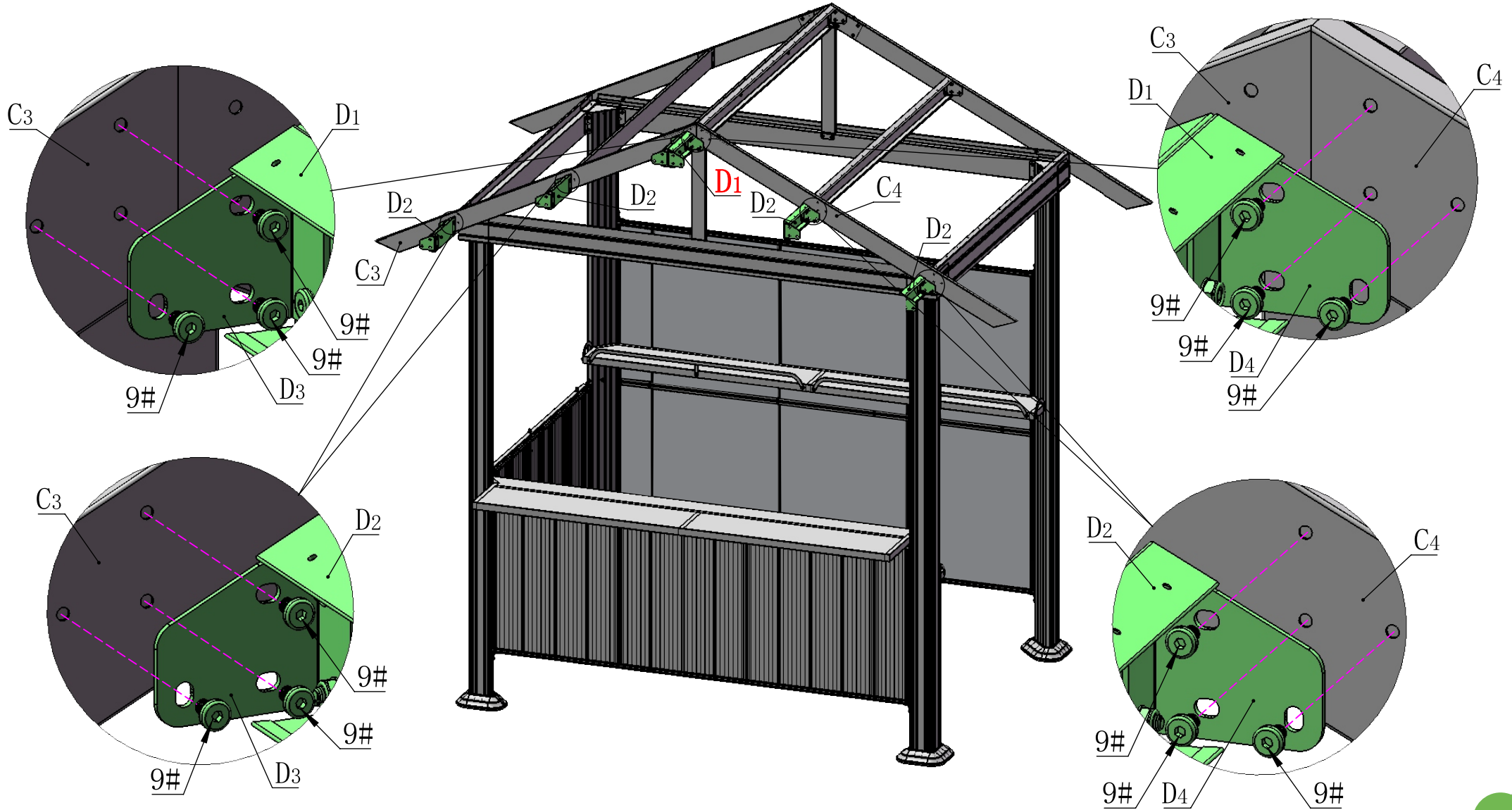
M6*10

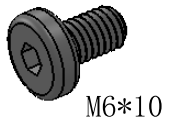


S4

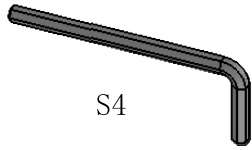
9# 18X

18# 1X





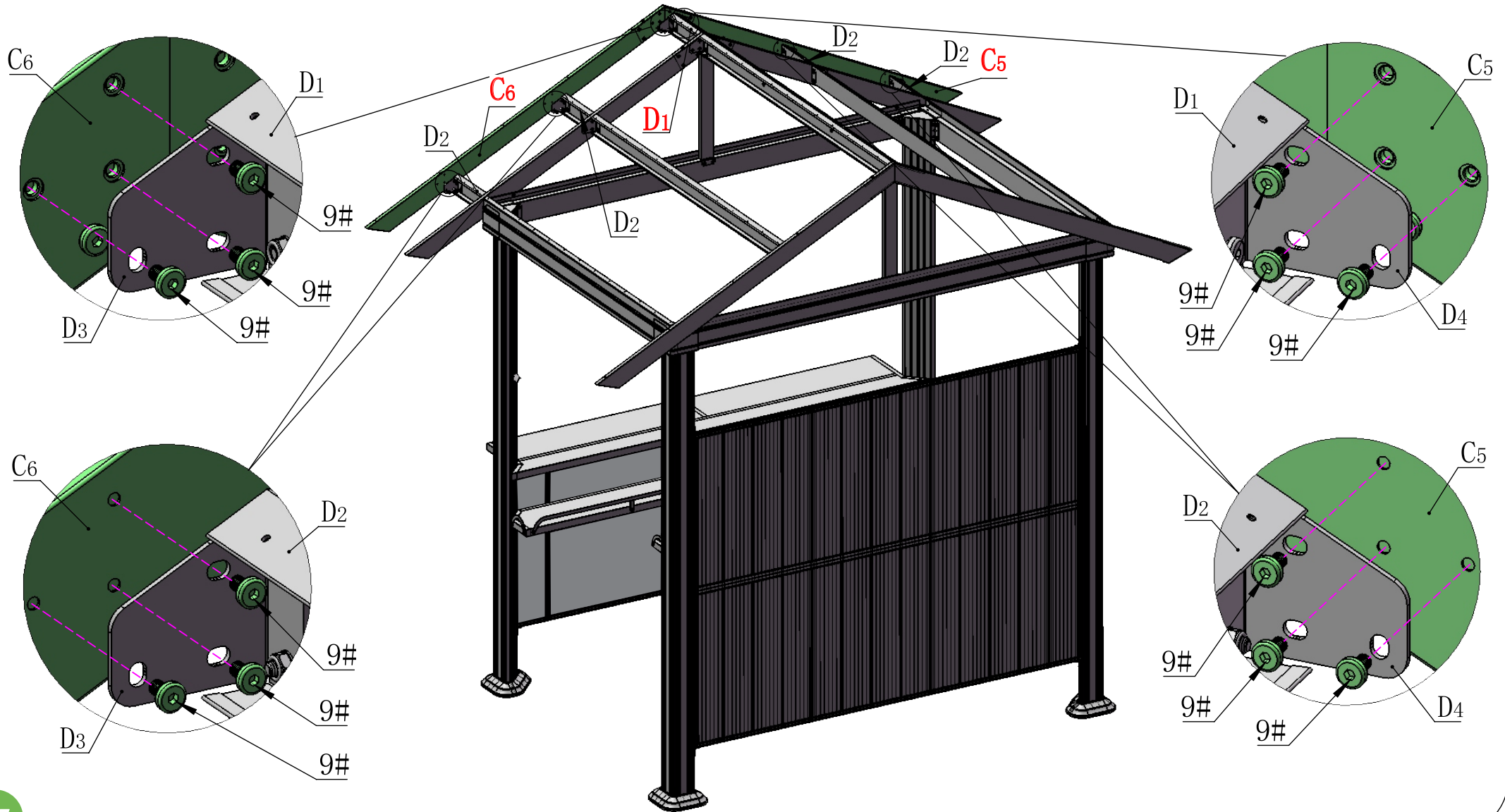
M6*10

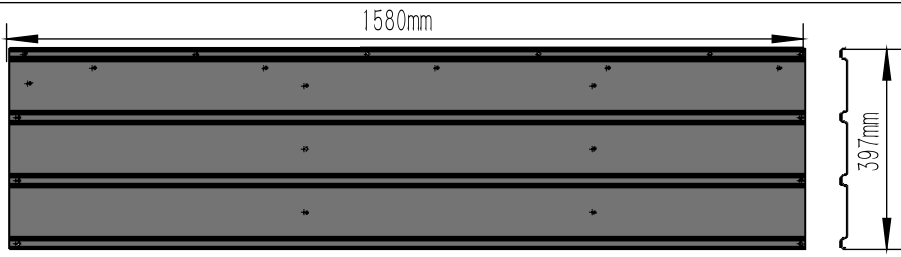


S4

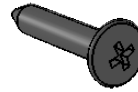
9# 18X

18# 1X



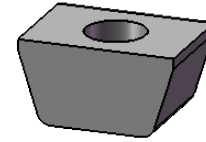


E2 1X



ST4*22

2#



15#



D5. 9*11.5

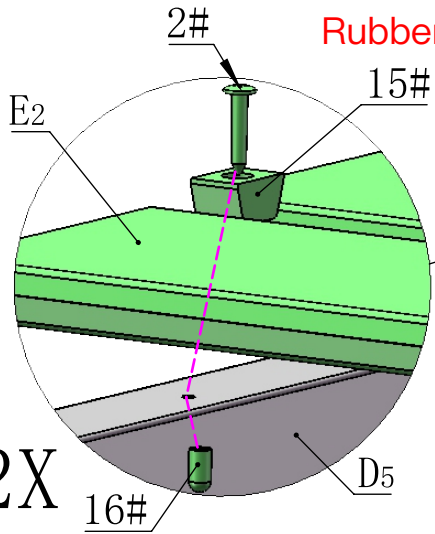
16#

8X

13X

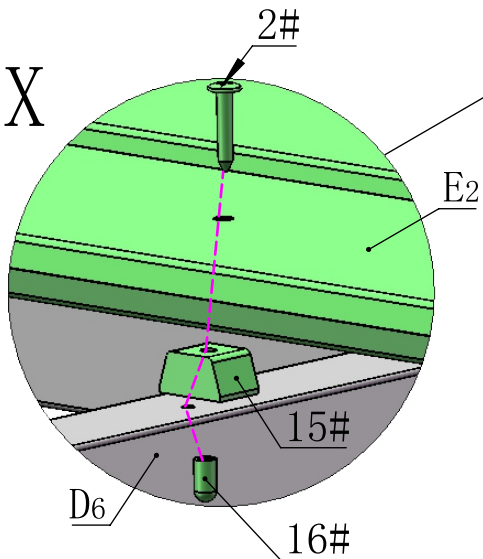
13X

Rubber Spacer ON the panel

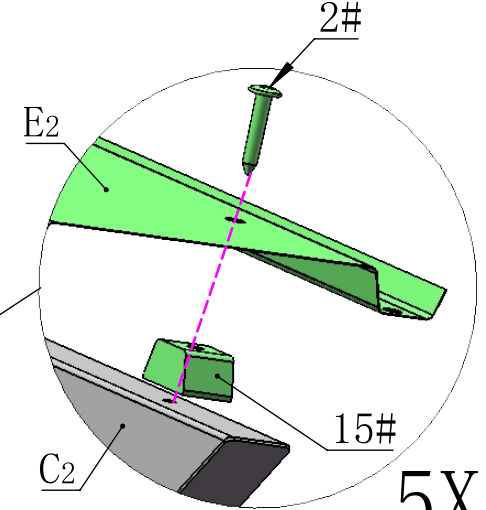
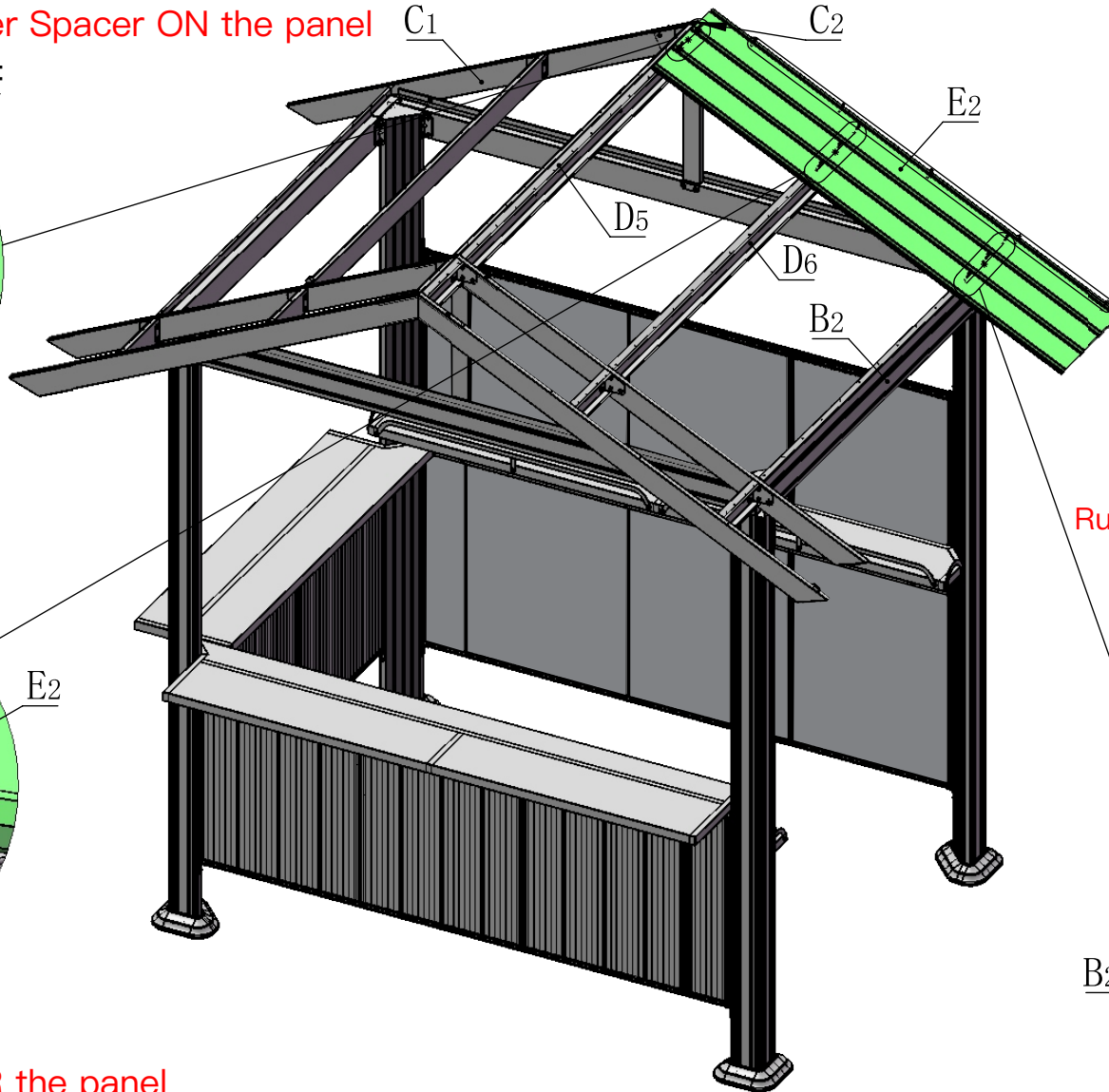


2X

3X

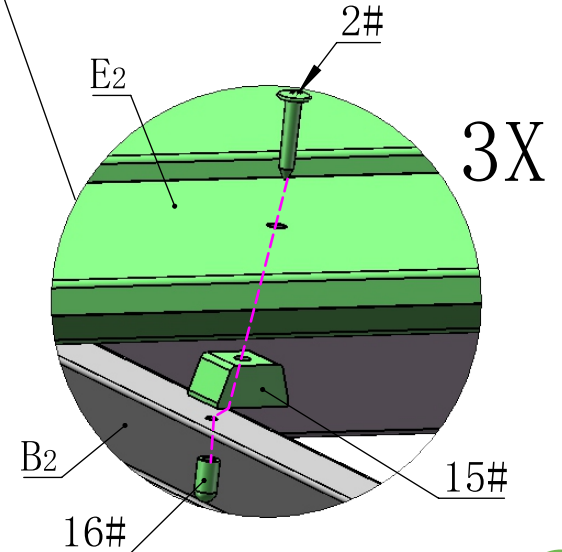


Rubber Spacer UNDER the panel

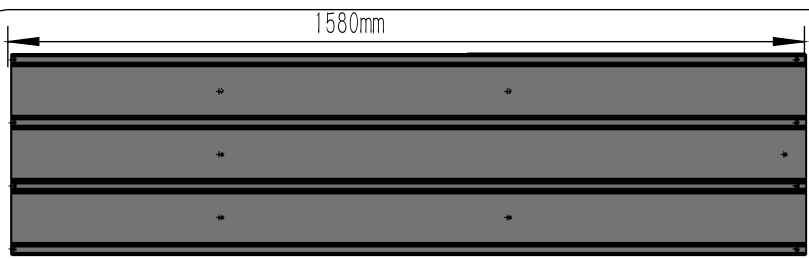


5X

Rubber Spacer UNDER the panel



3X



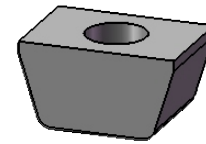
E3 3X



ST4*22

2#

24X



15#

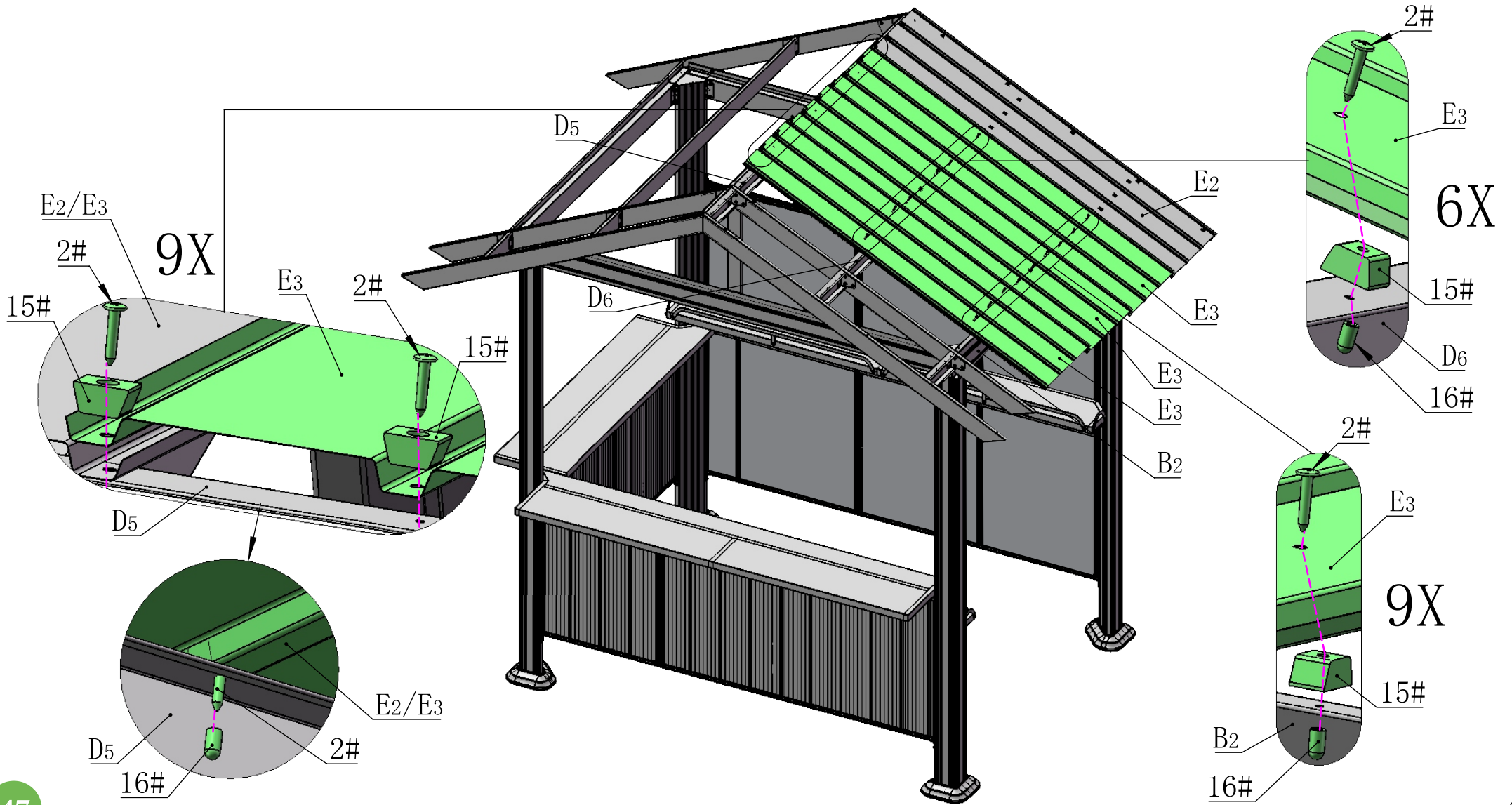
24X

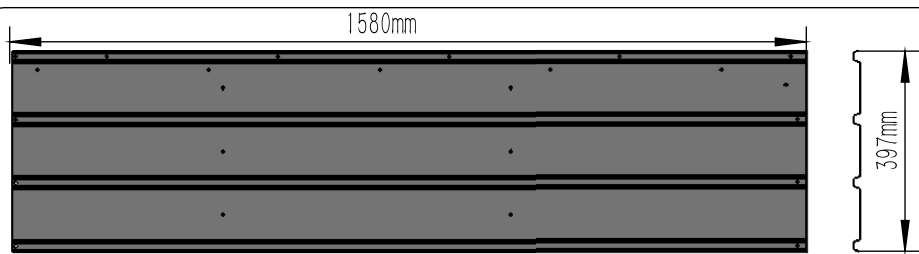


D5. 9*11.5

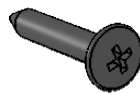
16#

24X



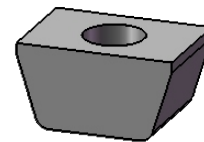


E1 1X



ST4*22

2#



15#

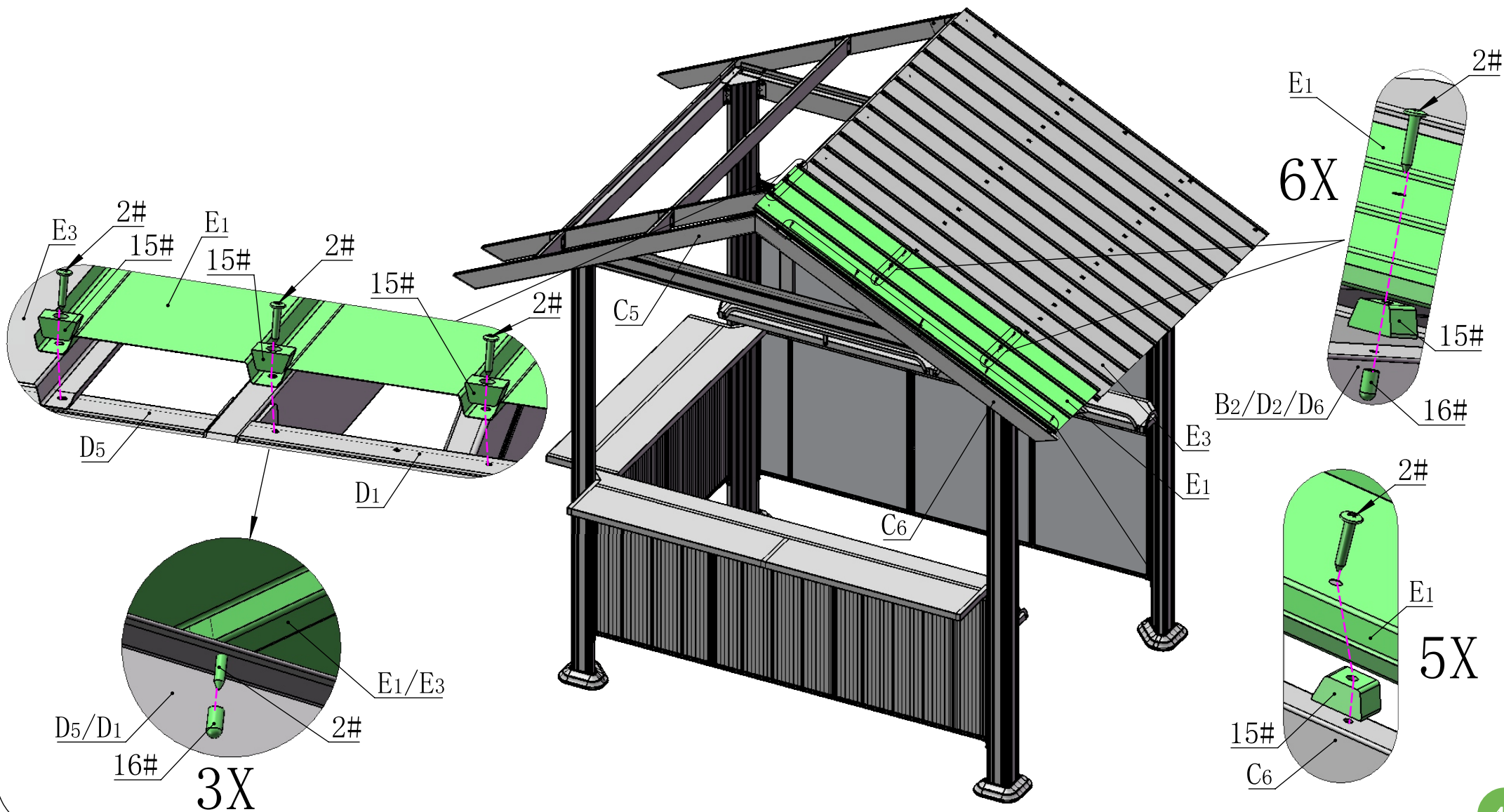
14X

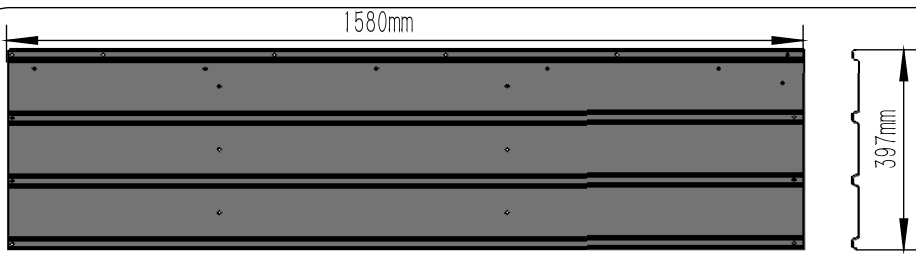


D5. 9*11.5

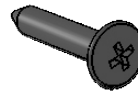
16#

9X

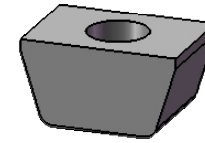




E1 1X



2#

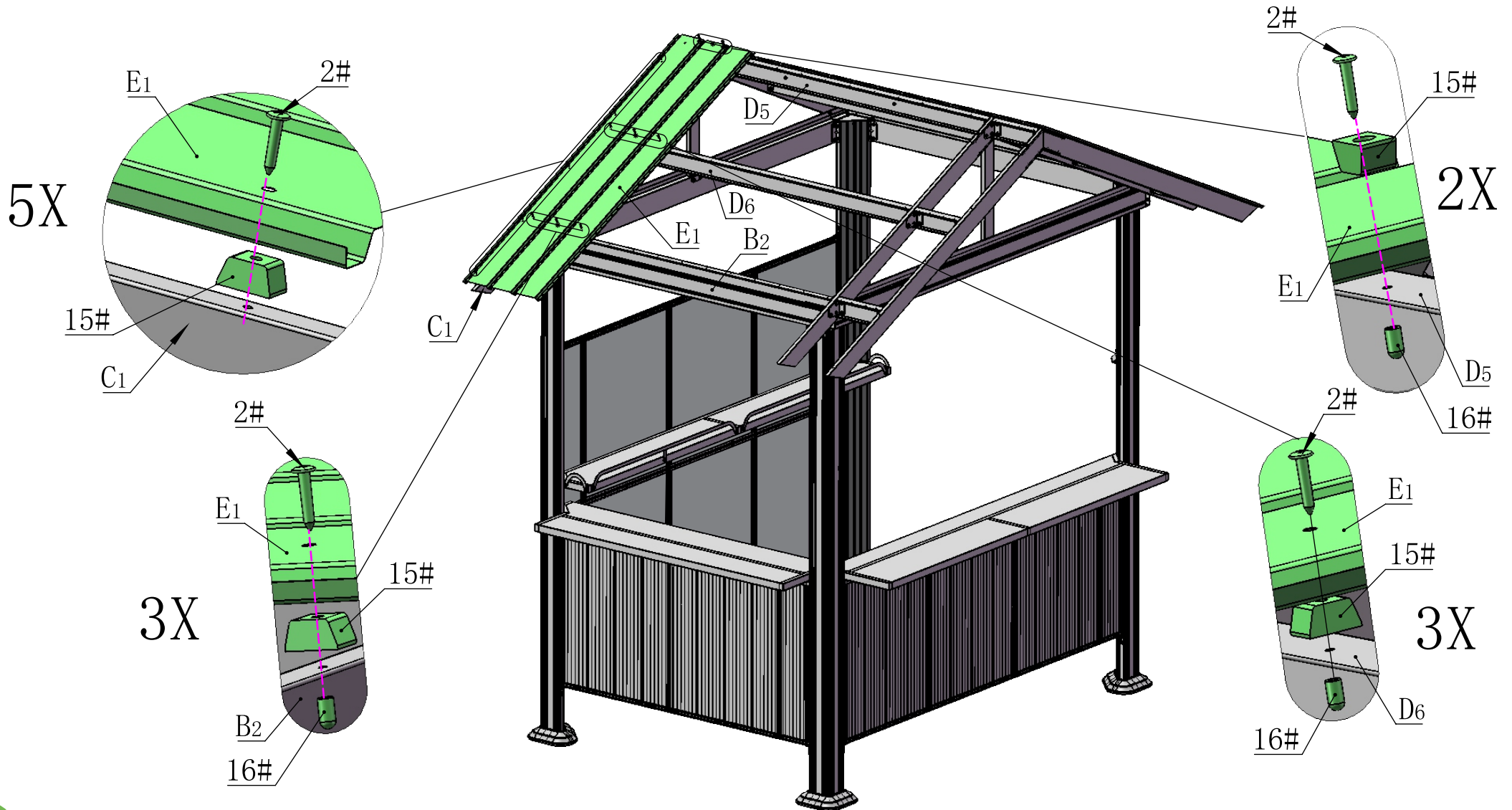


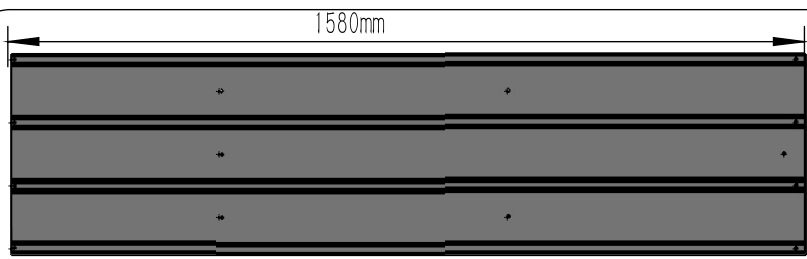
13X



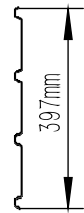
16#

8X



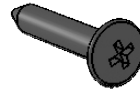


E3 3X

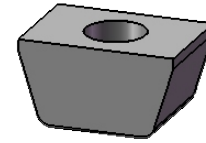


ST4*22

2#



24X



15#

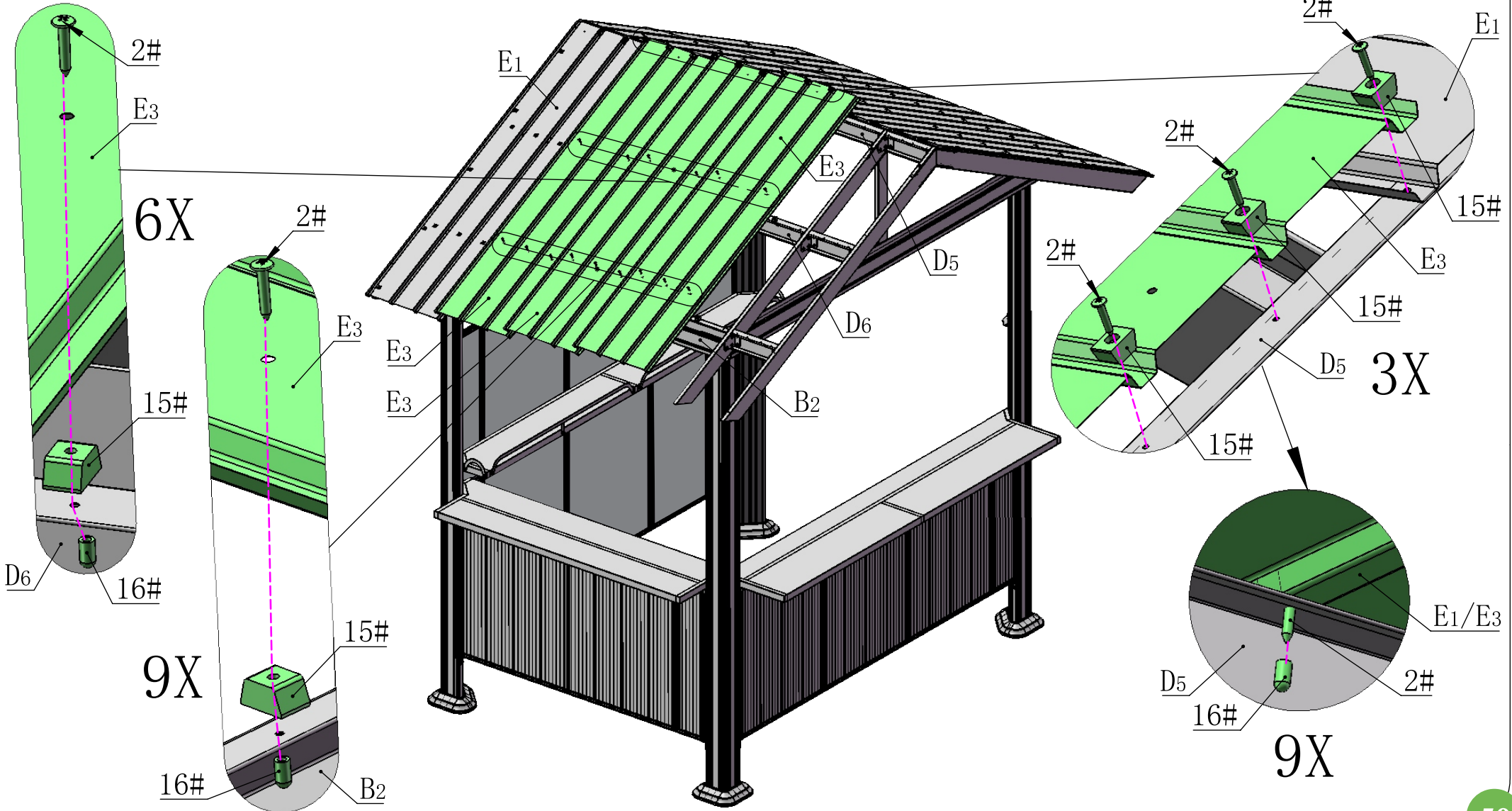
24X

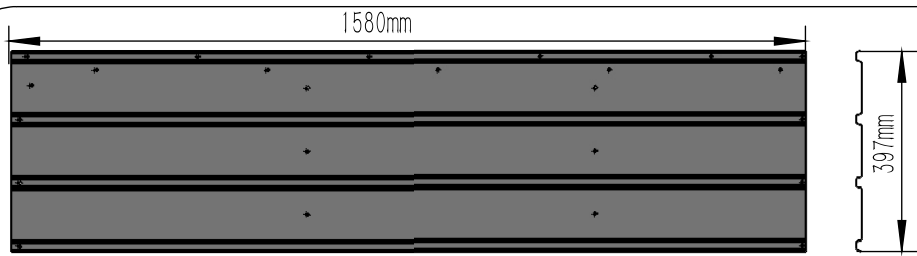


D5. 9*11.5

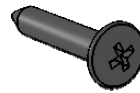
16#

24X





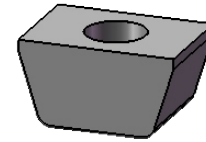
E2 1X



ST4*22

2#

14X



15#

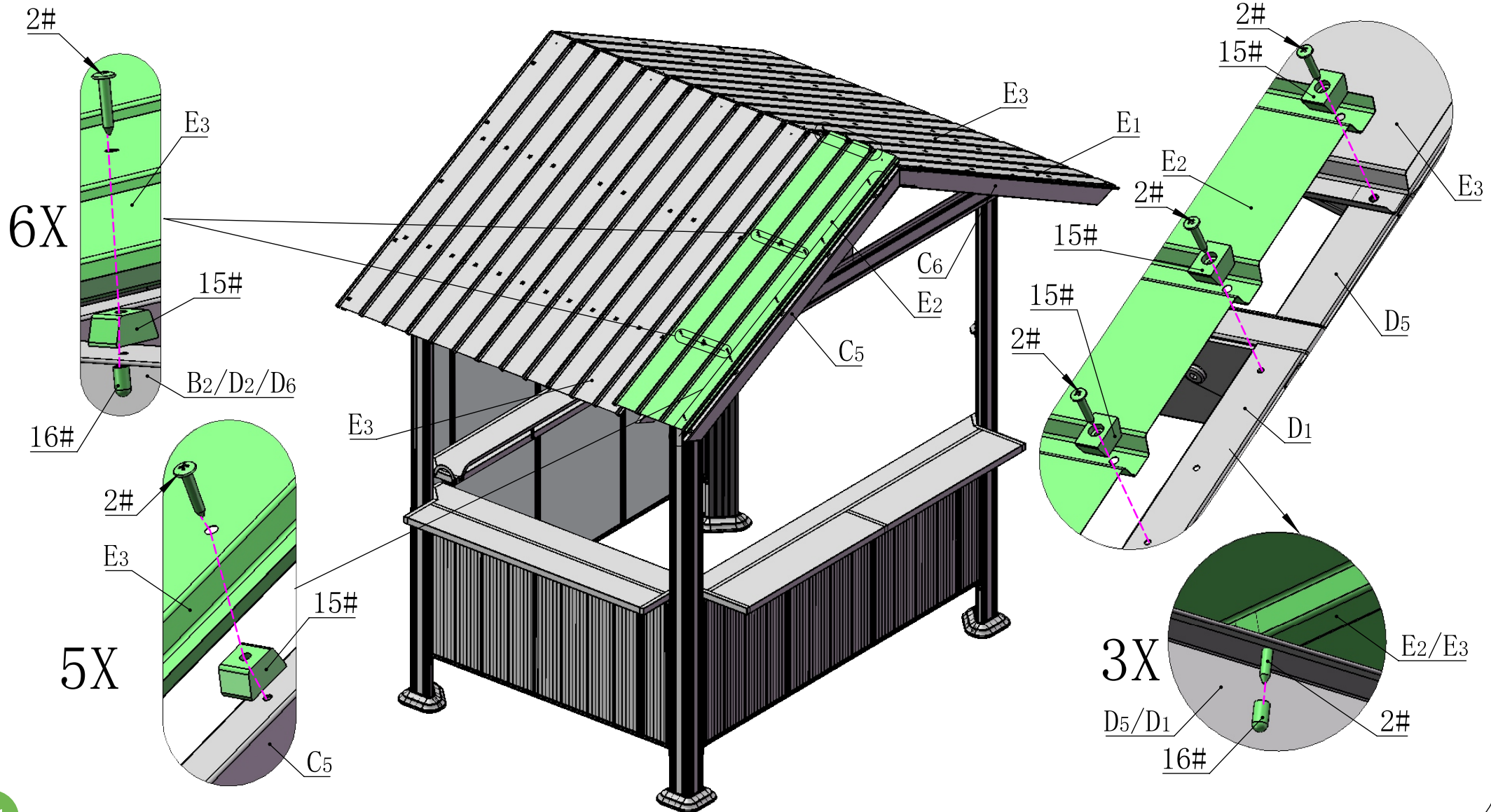
14X

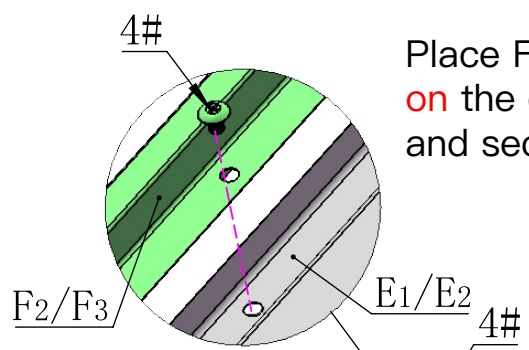
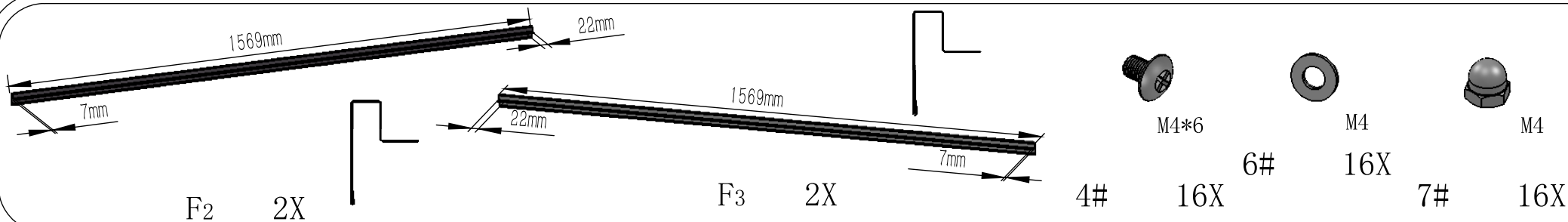


D5.9*11.5

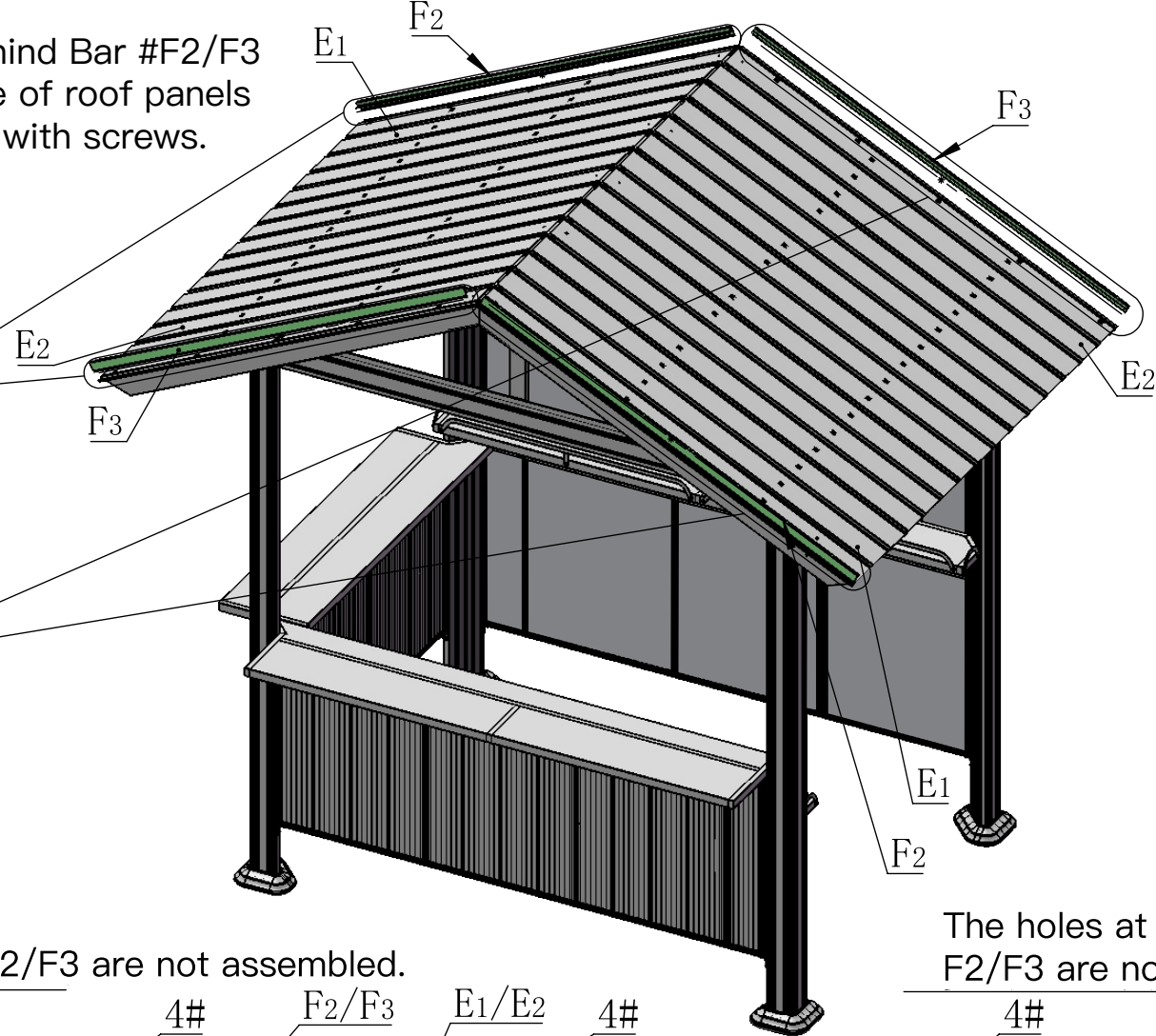
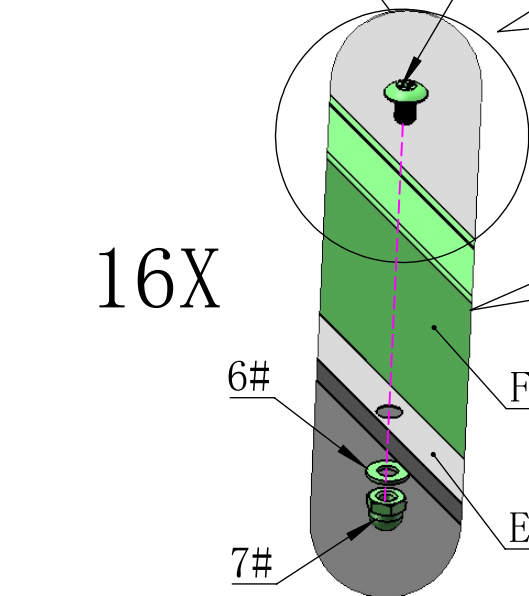
16#

9X



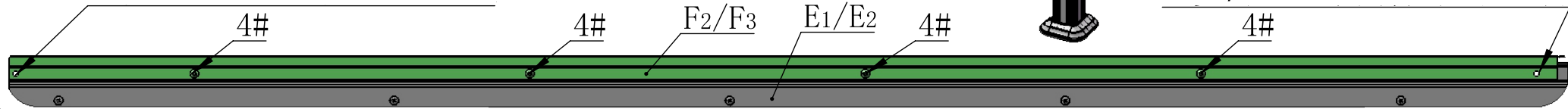


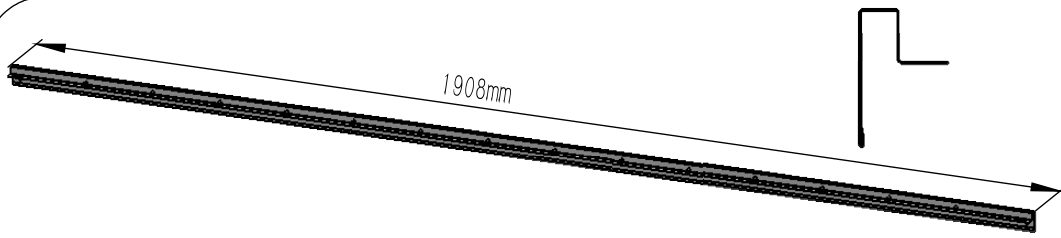
Place Finishind Bar #F2/F3 on the edge of roof panels and secure with screws.



The holes at both ends of F2/F3 are not assembled.

The holes at both ends of F2/F3 are not assembled.





F1 2X



M4*6

4# 28X



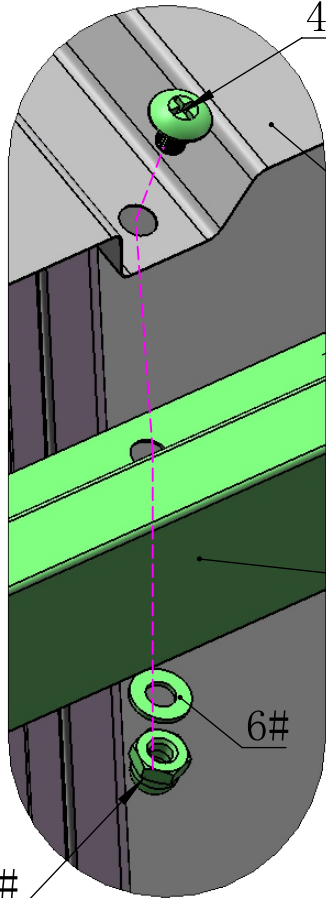
M4

6# 28X



M4

7# 28X



28X

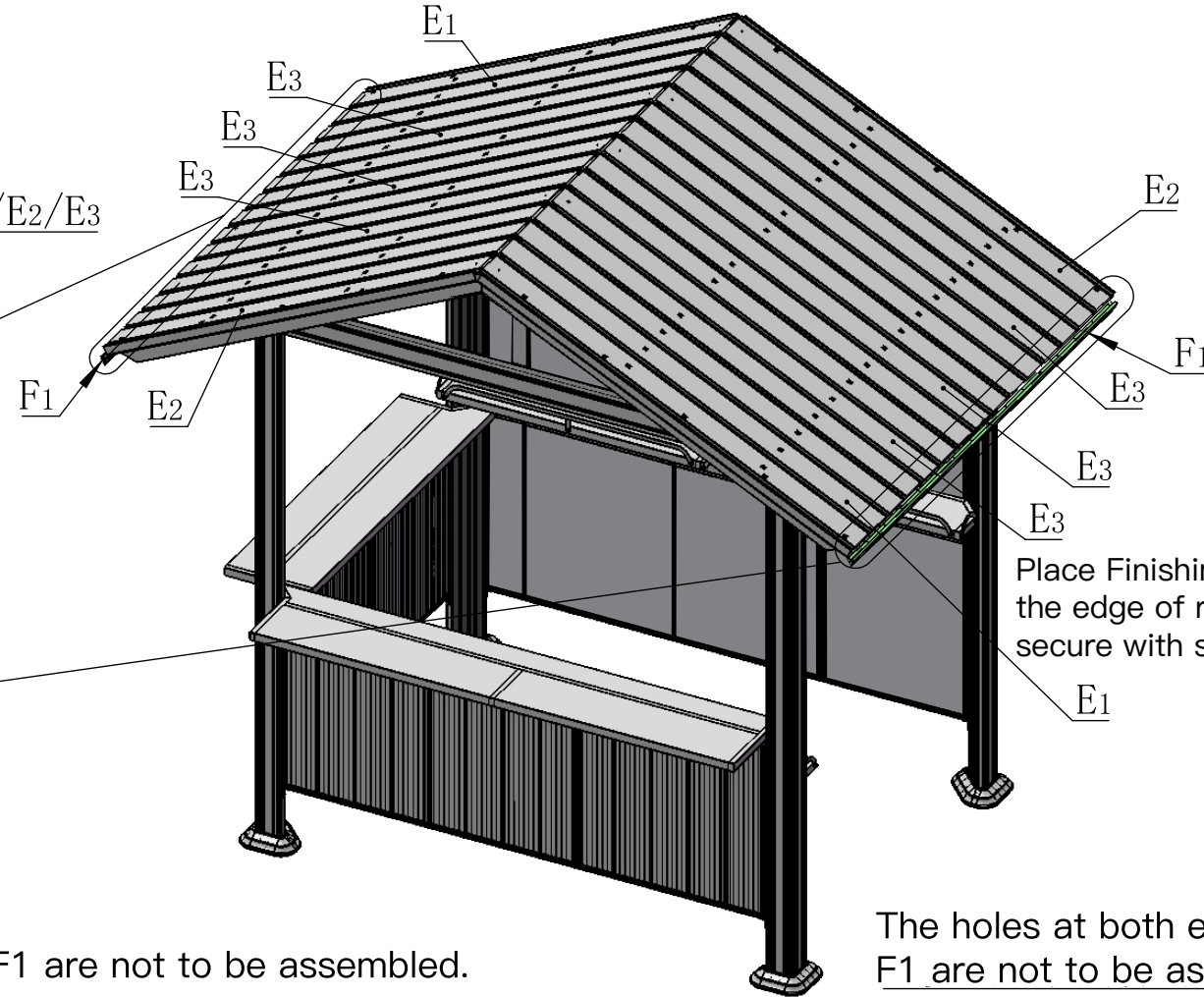
7#

4#

E1/E2/E3

F1

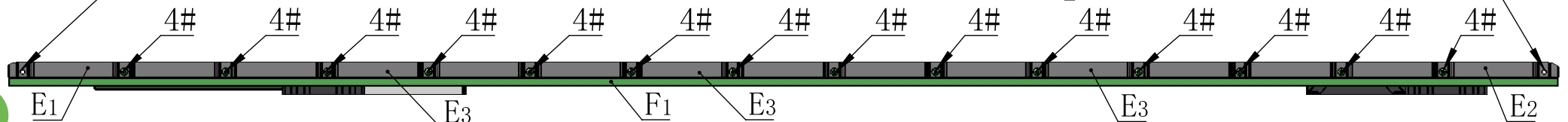
6#



Place Finishind Bar #F1 **under** the edge of roof panels and secure with screws.

The holes at both ends of F1 are not to be assembled.

The holes at both ends of F1 are not to be assembled.



4#

4#

4#

4#

4#

4#

4#

4#

4#

4#

4#

4#

4#

4#

4#

E1

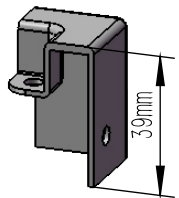
E3

F1

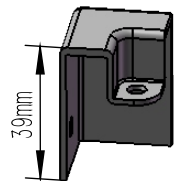
E3

E3

E2



L1 2X



L2 2X



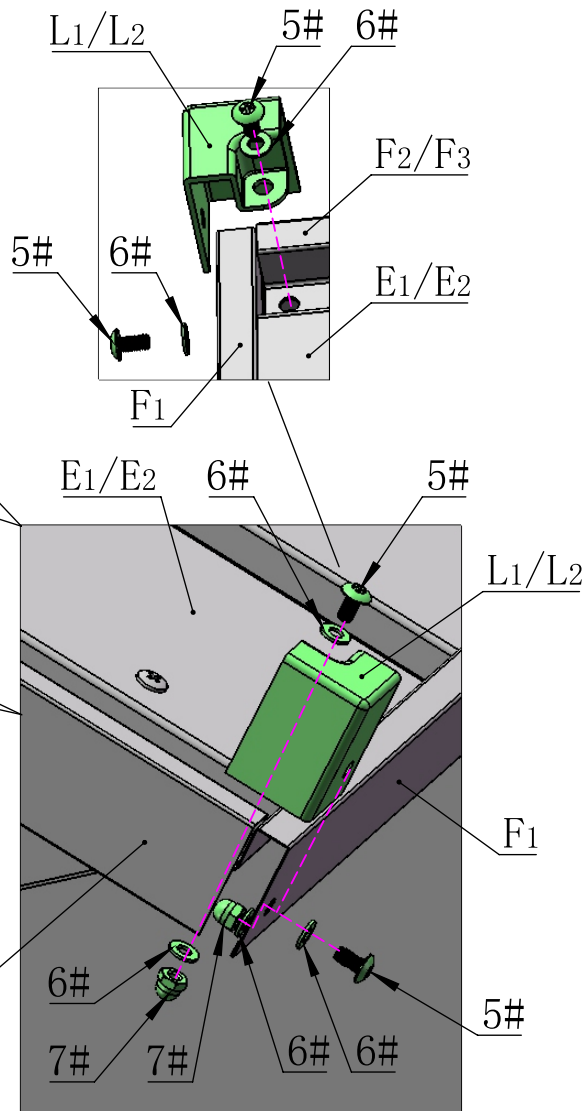
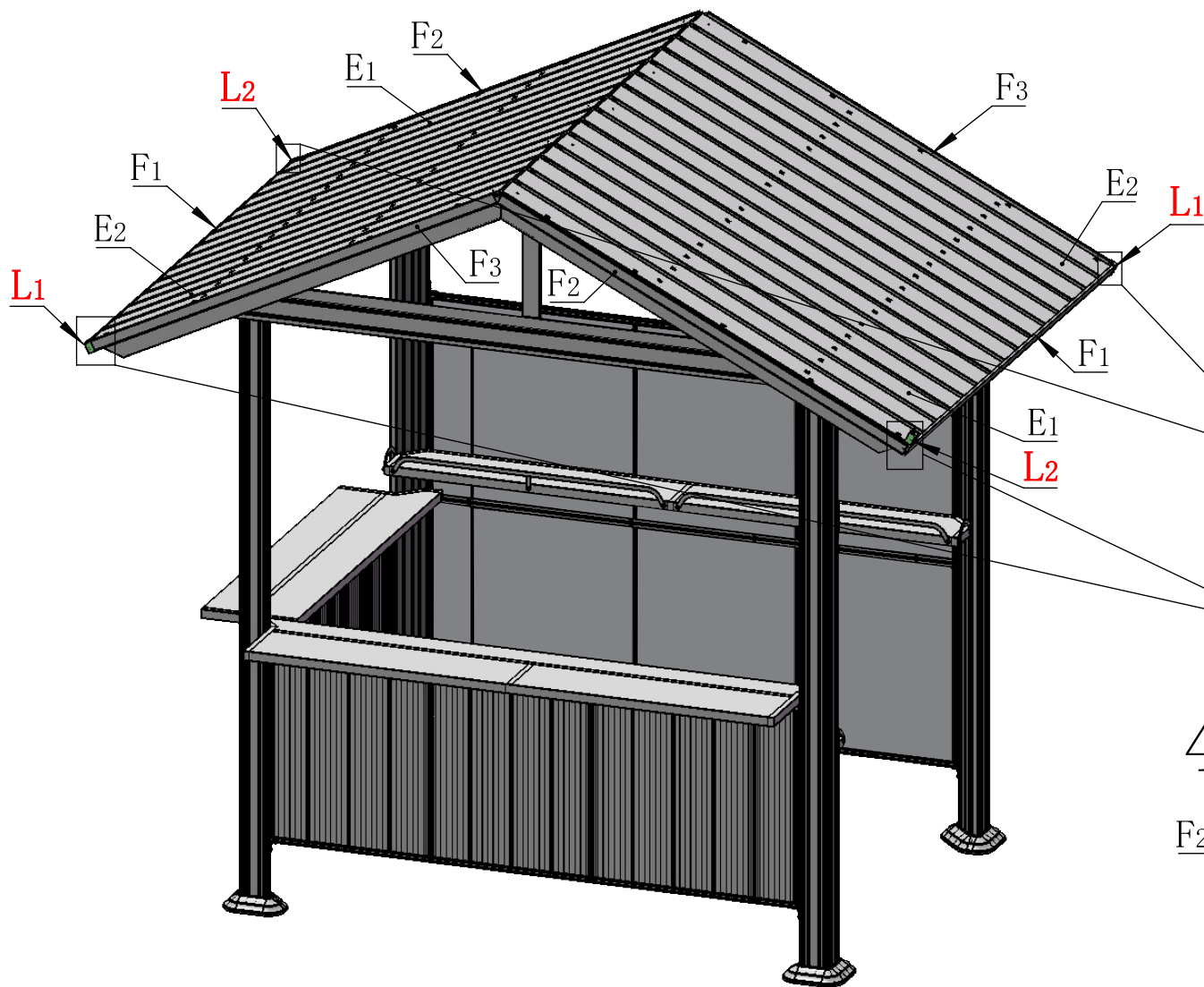
5# 8X

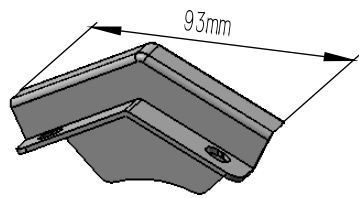


6# 16X



7# 8X





C8 2X



M4*8

5# 4X



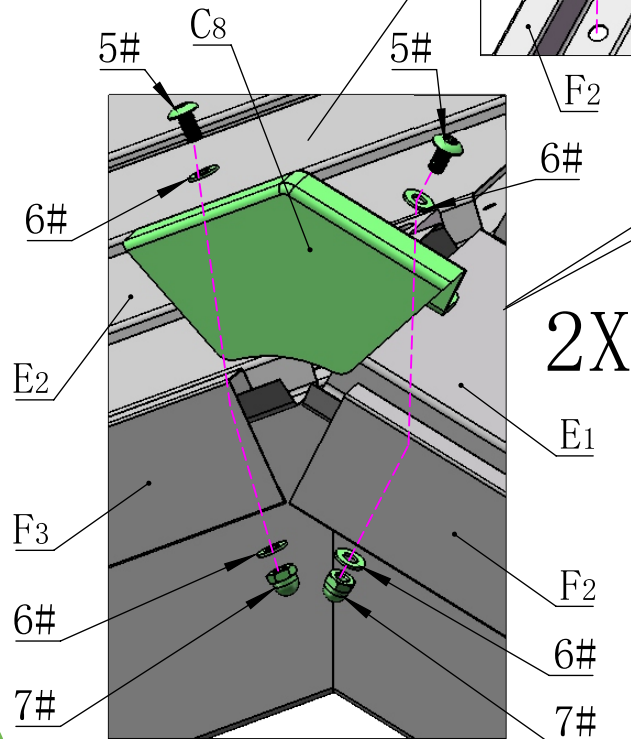
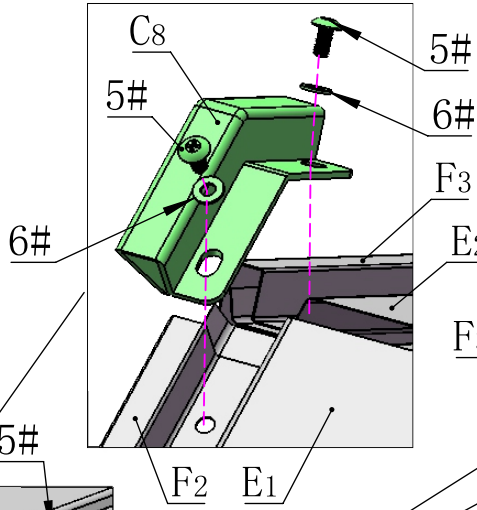
M4

6# 8X

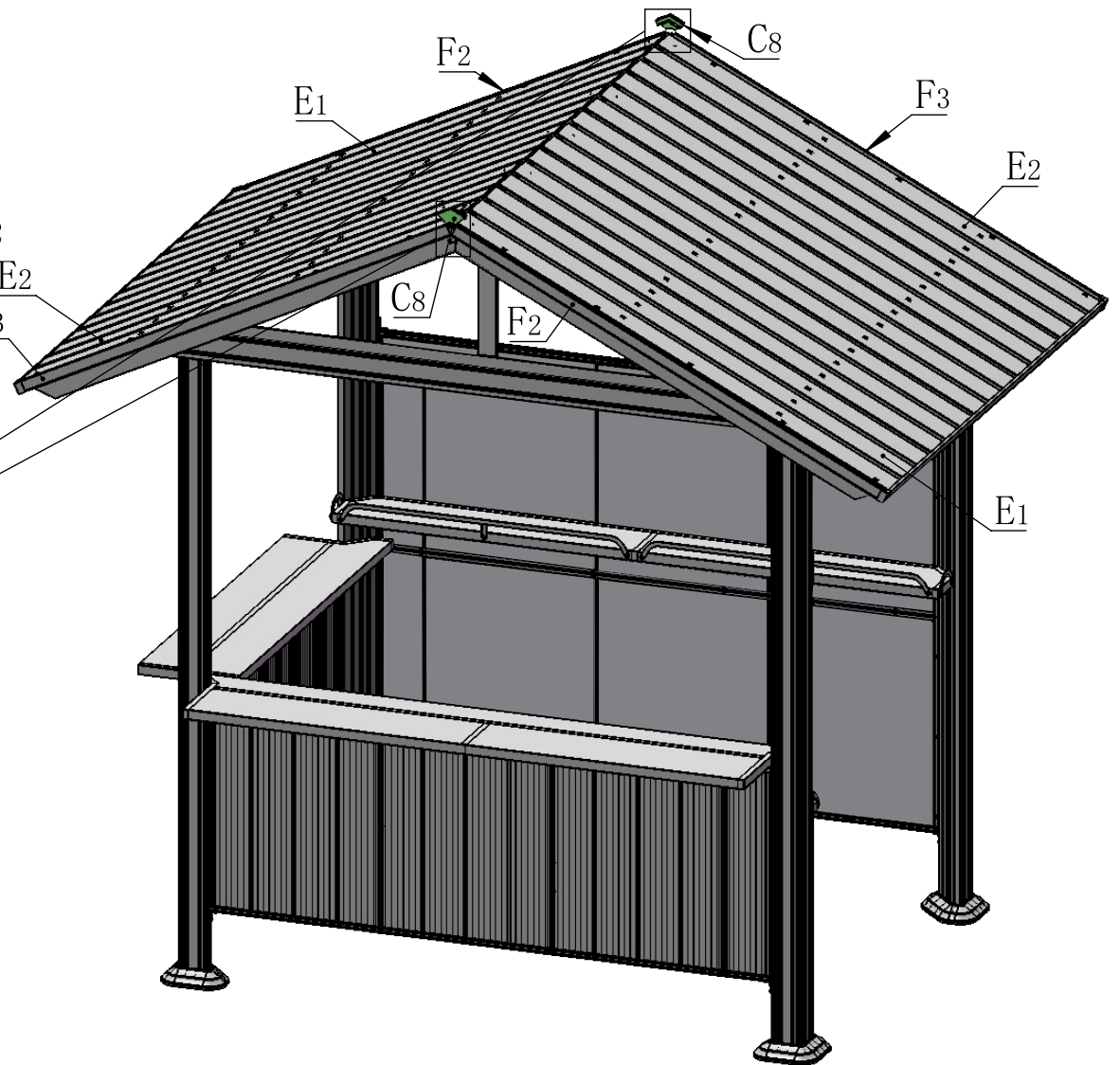


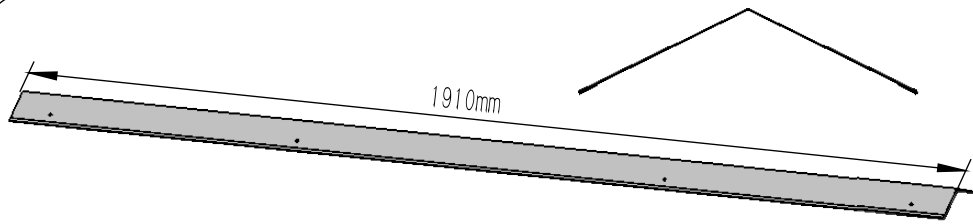
M4

7# 4X



2X





F4 1X



M4*8

5# 8X



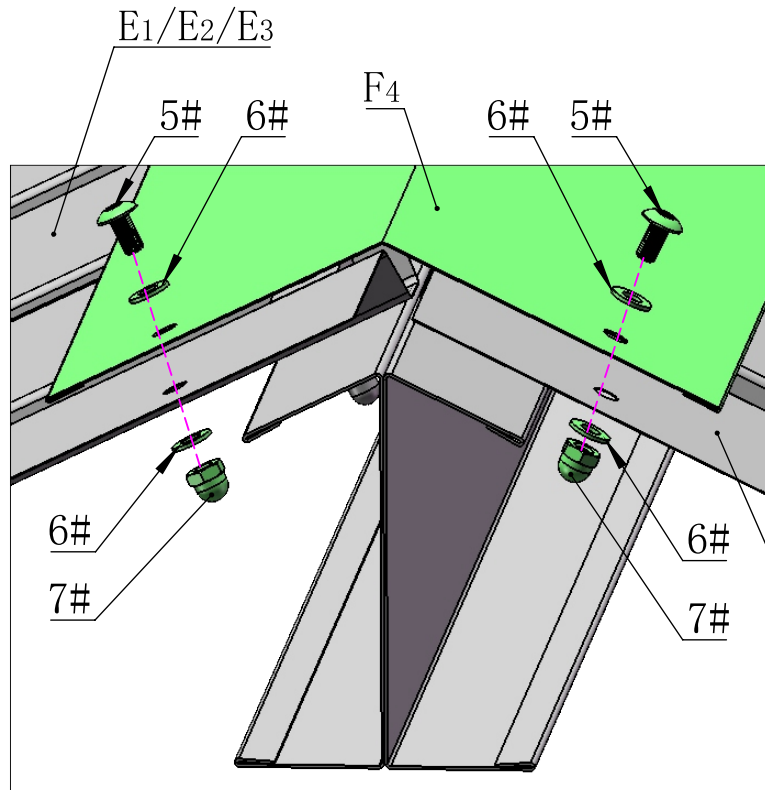
M4

6# 16X

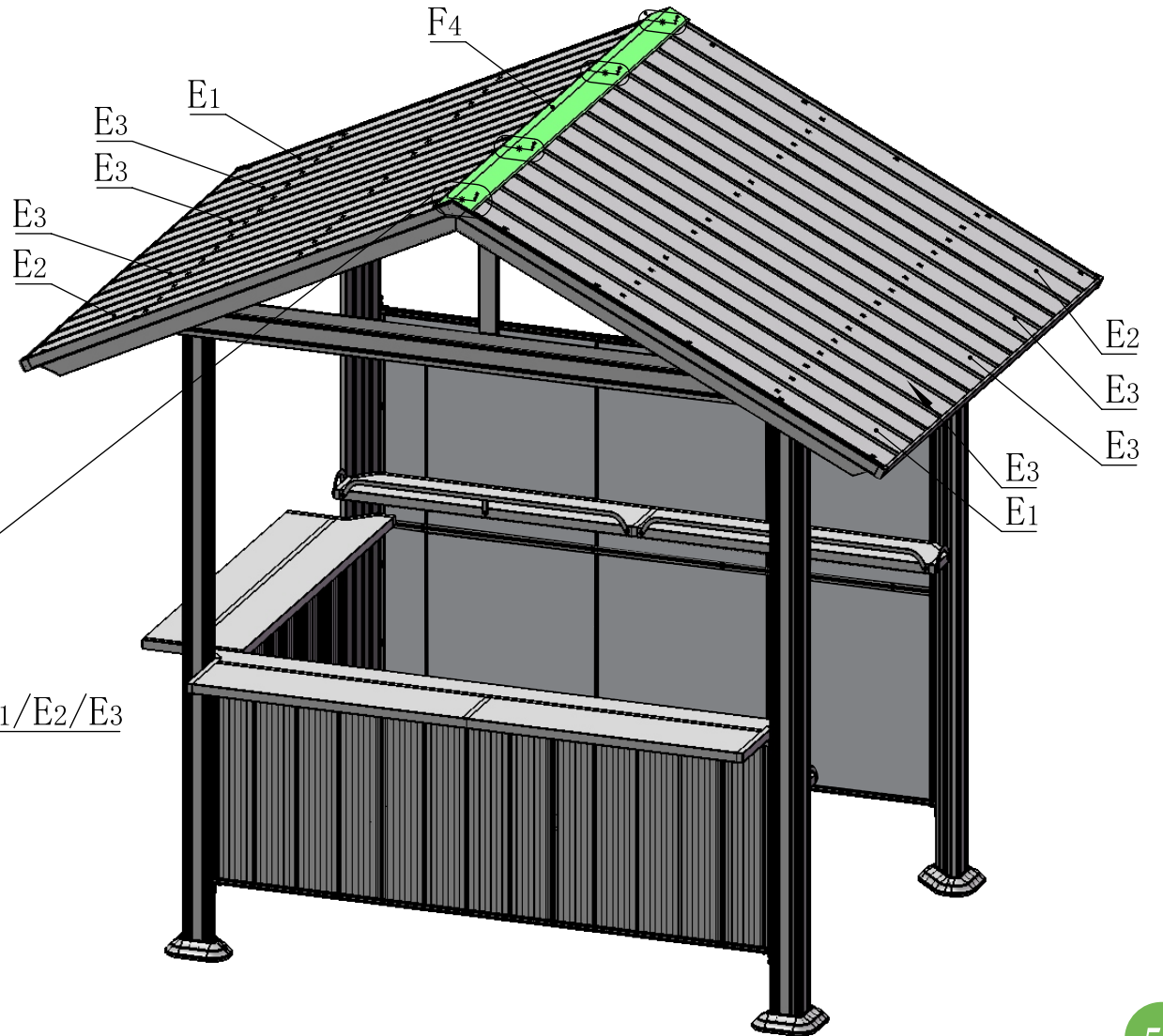


M4

7# 8X



4X



Care and Cleaning

Wash frame parts with mild soap and water, rinse thoroughly.

Do not use bleach, acid, or other solvents on the frame parts.

Please inspect and tighten all bolts or fasteners on a regular basis to ensure proper performance and safety of your gazebo.

Warranty

Frames

Frames constructions are warranted to be free from defects in material and workmanship for 1 year from item purchased. Damage to frame from negligence won't be covered by this warranty.

Bolts & nuts

Bolts and nuts are warranted to be free from defects in material and workmanship for 1 year from item purchased. Damage from exposure to chemicals (including not only oils ,spills, fluids) won't be covered by this warranty.

Warranty Limitation

This warranty is for the original purchase order only. (Order number required). This warranty is non-transferable. Domi outdoor living is responsible for the free replacement part including shipping charges for the 1 year warranty.

Warranty Exclusion

This warranty does not cover products subject to negligence, abuse usage, inappropriate installation. Domi outdoor living reserves the right to explain warranty exclusions. When the replacement item is applied, the 1 year warranty automatically expires. Please feel free to contact us for applying warranty.



RESORT COMFORT IN YONR
OWN BACKYARD

Support:



Business cooperation contact email:

marketing@domioutdoorliving.com

After-sales contact email:

service@domioutdoorliving.com

Please tell us your order ID when contact.

Attach photos of damaged part for instant reply.