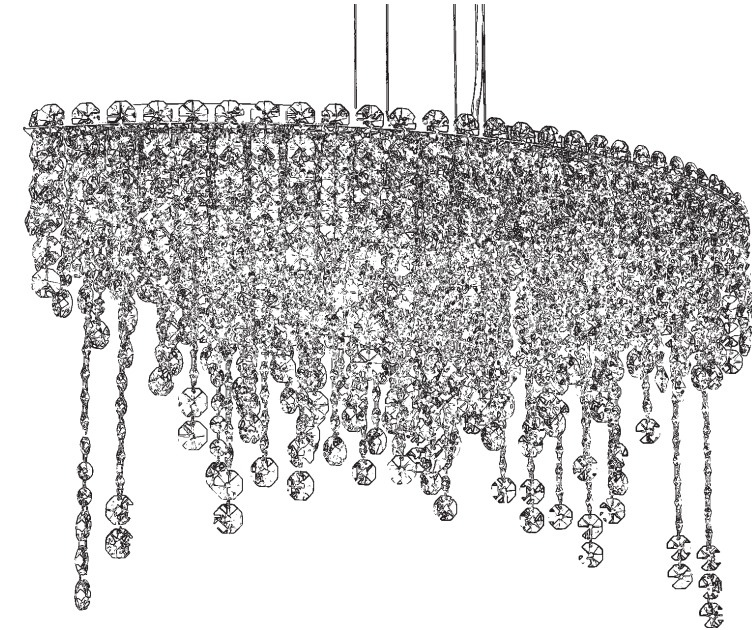


SCHONBEK

1870

CHANTANT CH3611N- __ _ H

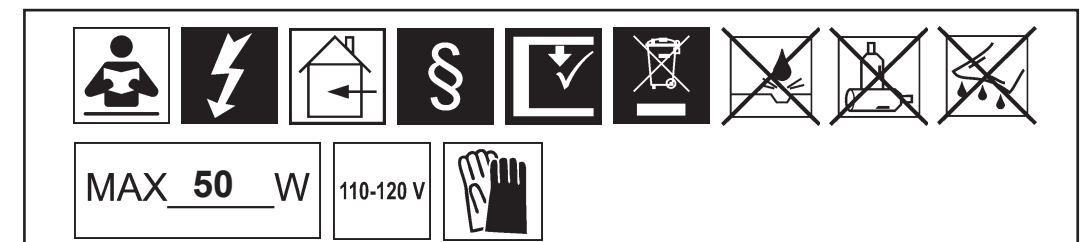


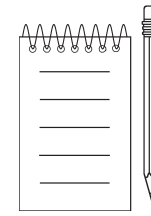
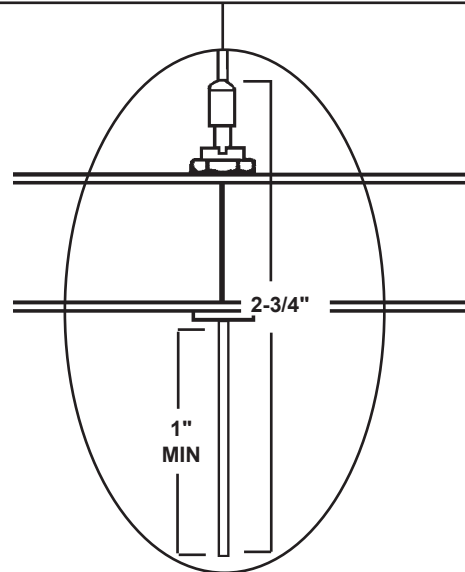
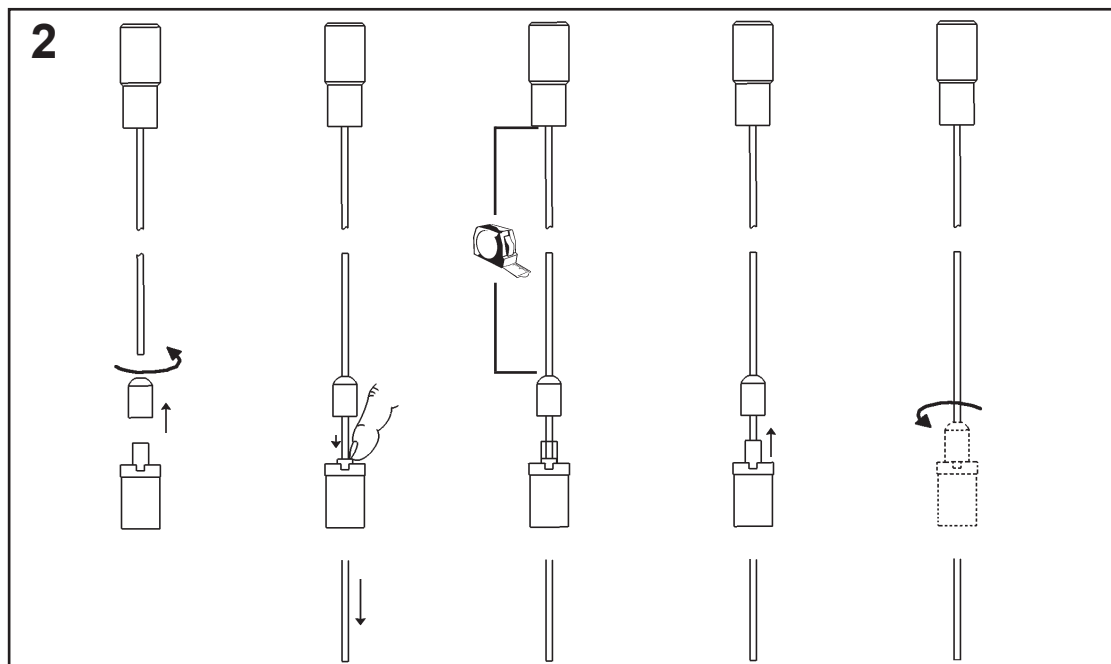
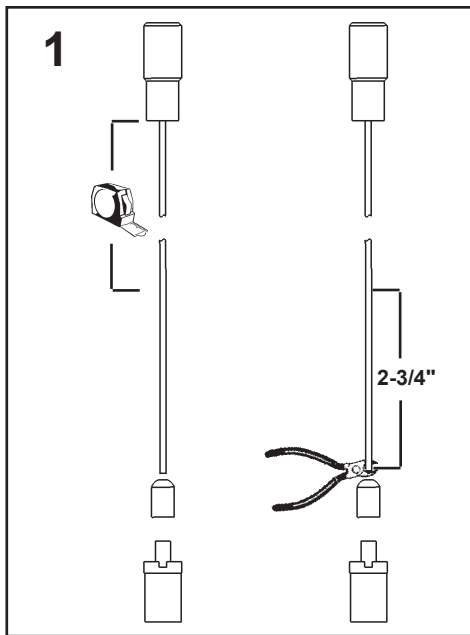
THIS DESIGN IS THE PROPRIETARY
TRADE DRESS/TRADEMARK OF
SWAROVSKI LIGHTING, LTD.

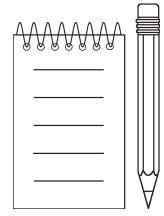
6 Lights
Length: 33"
Width: 15"
Height: 16-1/2"
Hanging Weight: 13lbs.

SCHONBEK

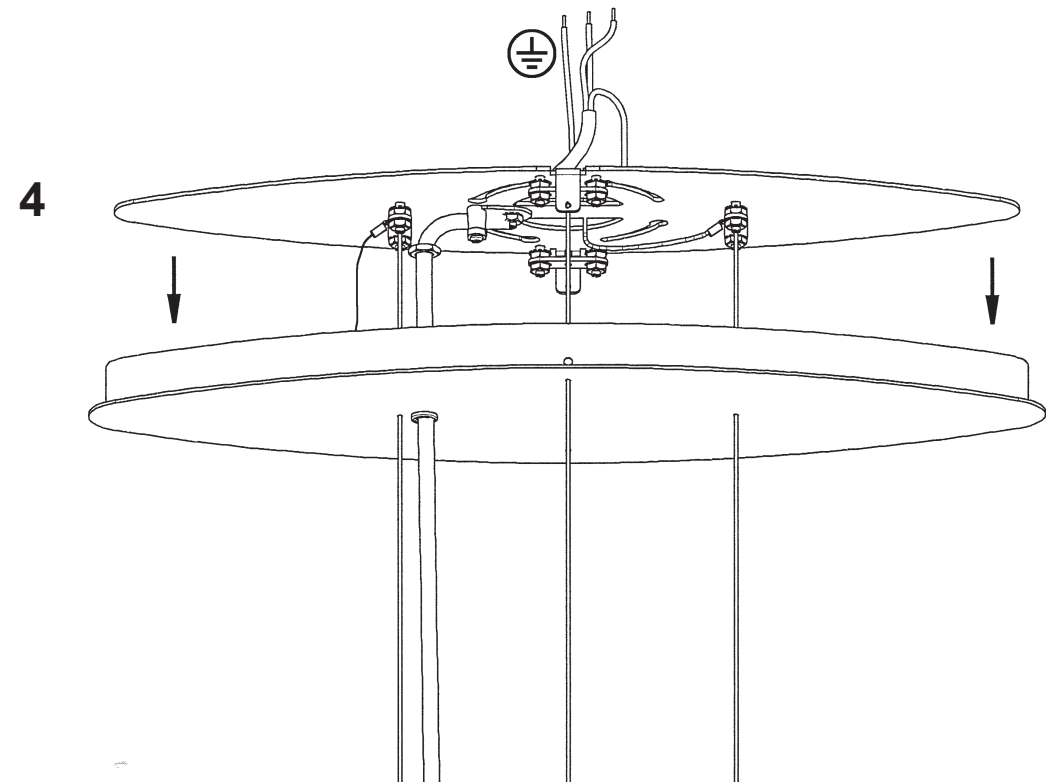
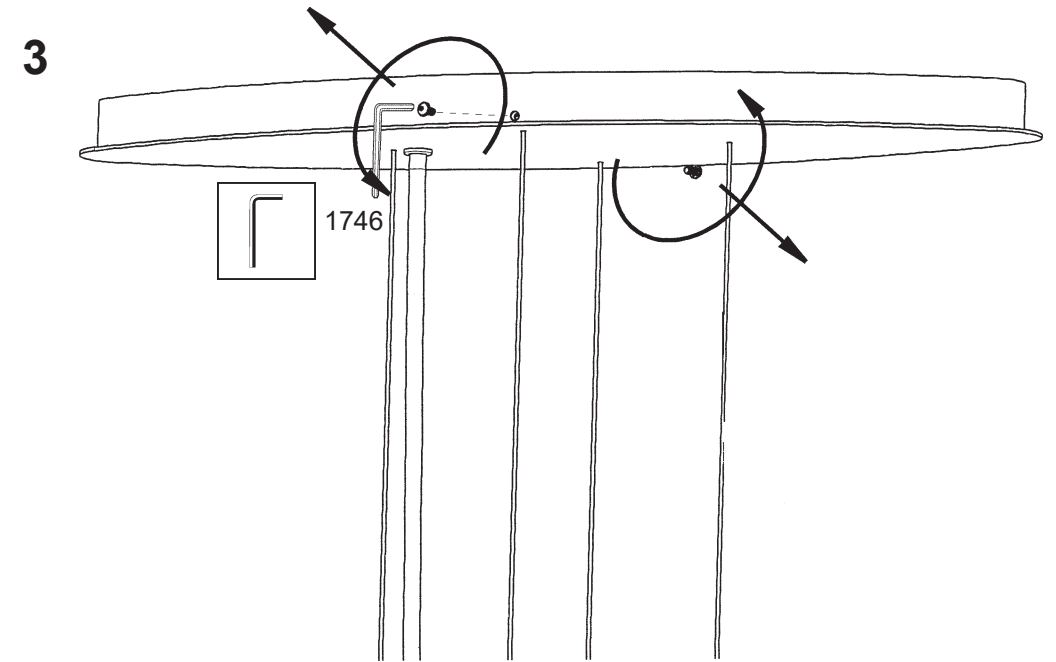
1870

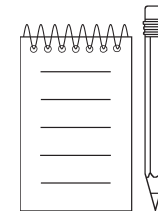
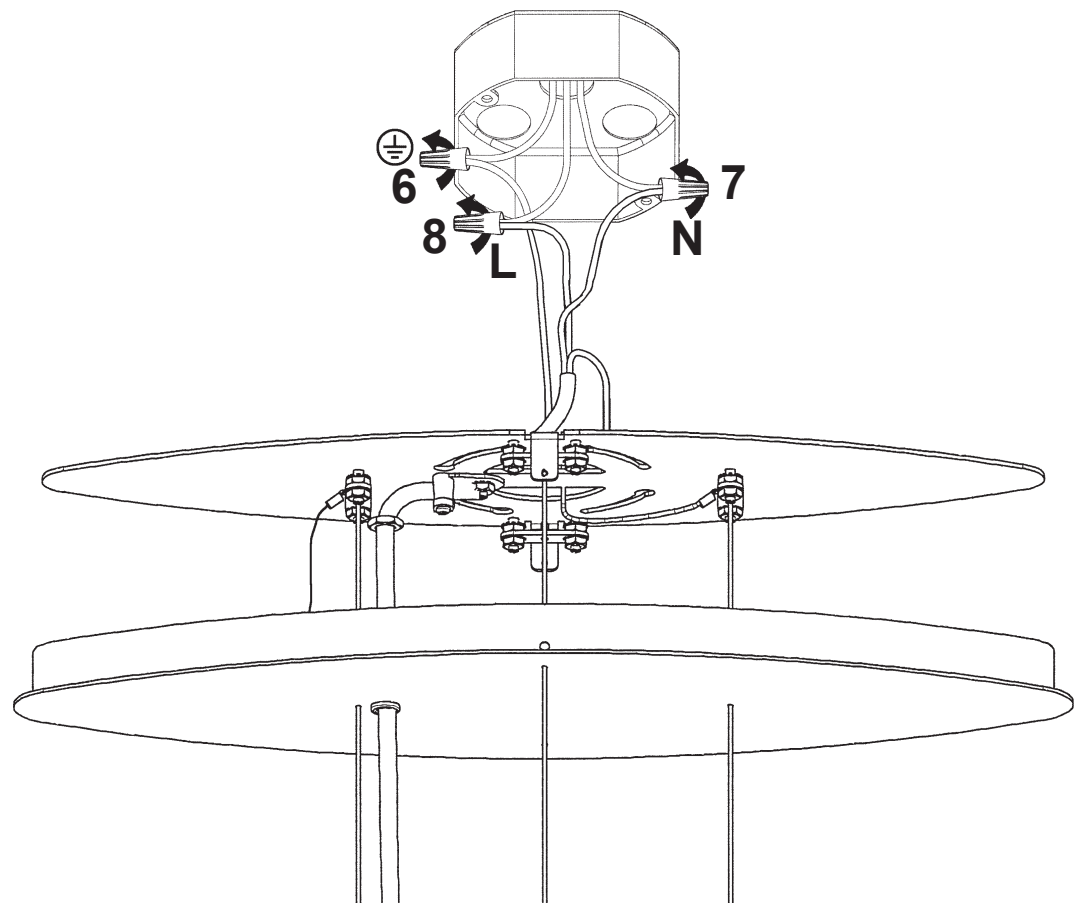
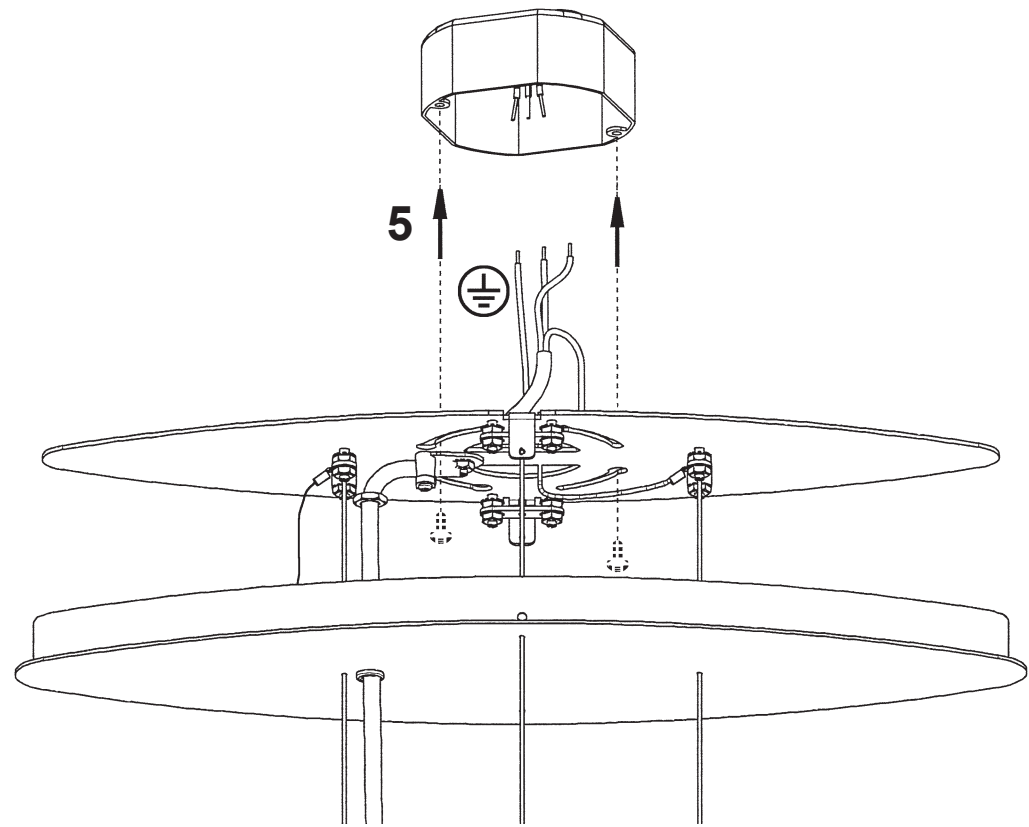


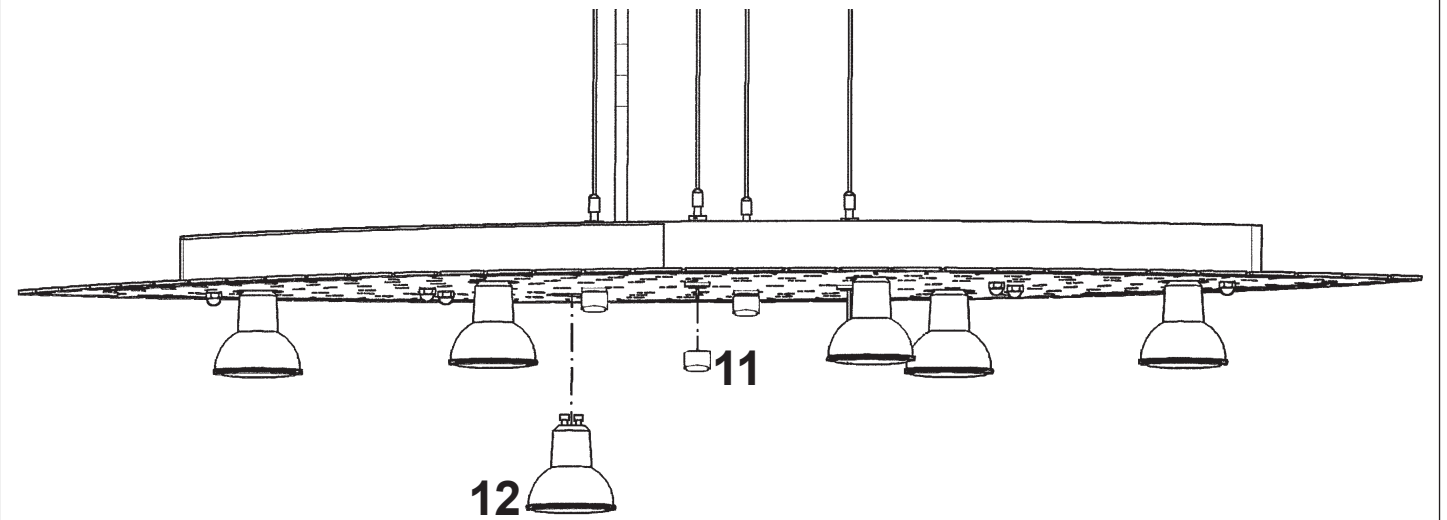
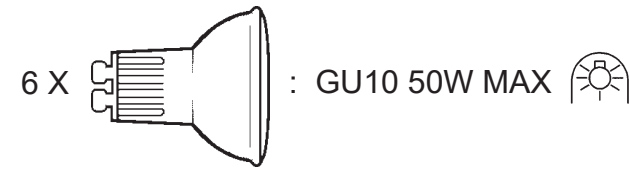
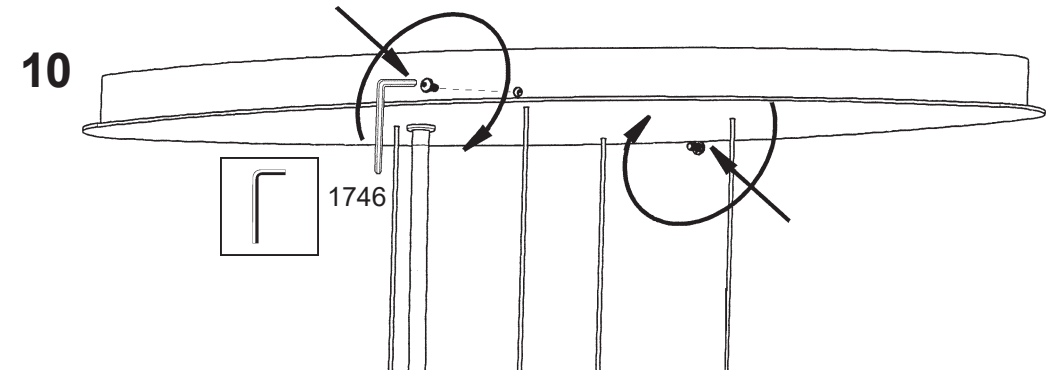
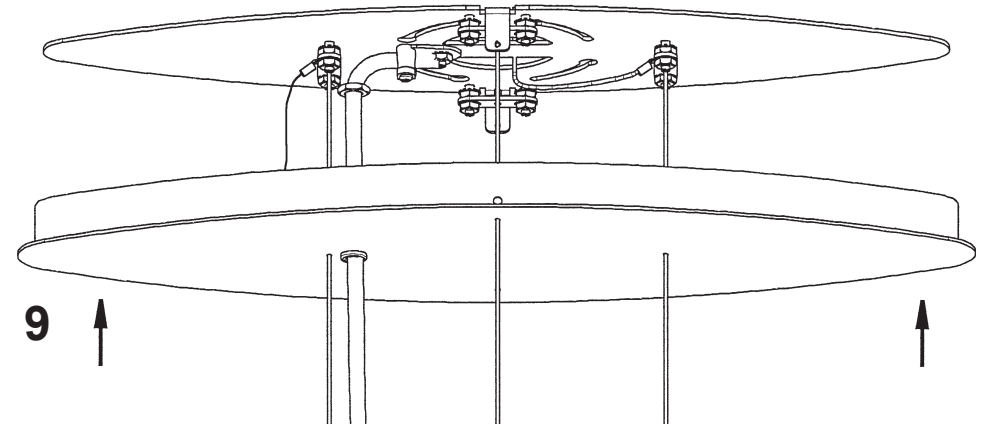
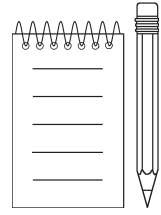


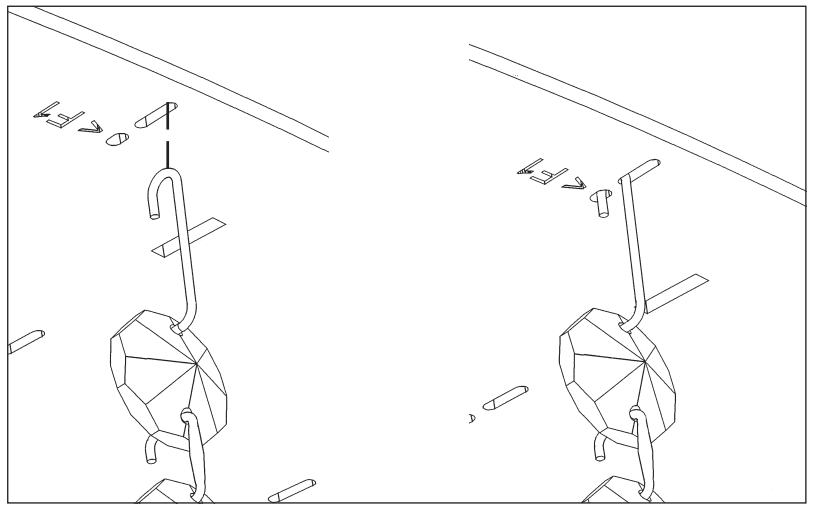
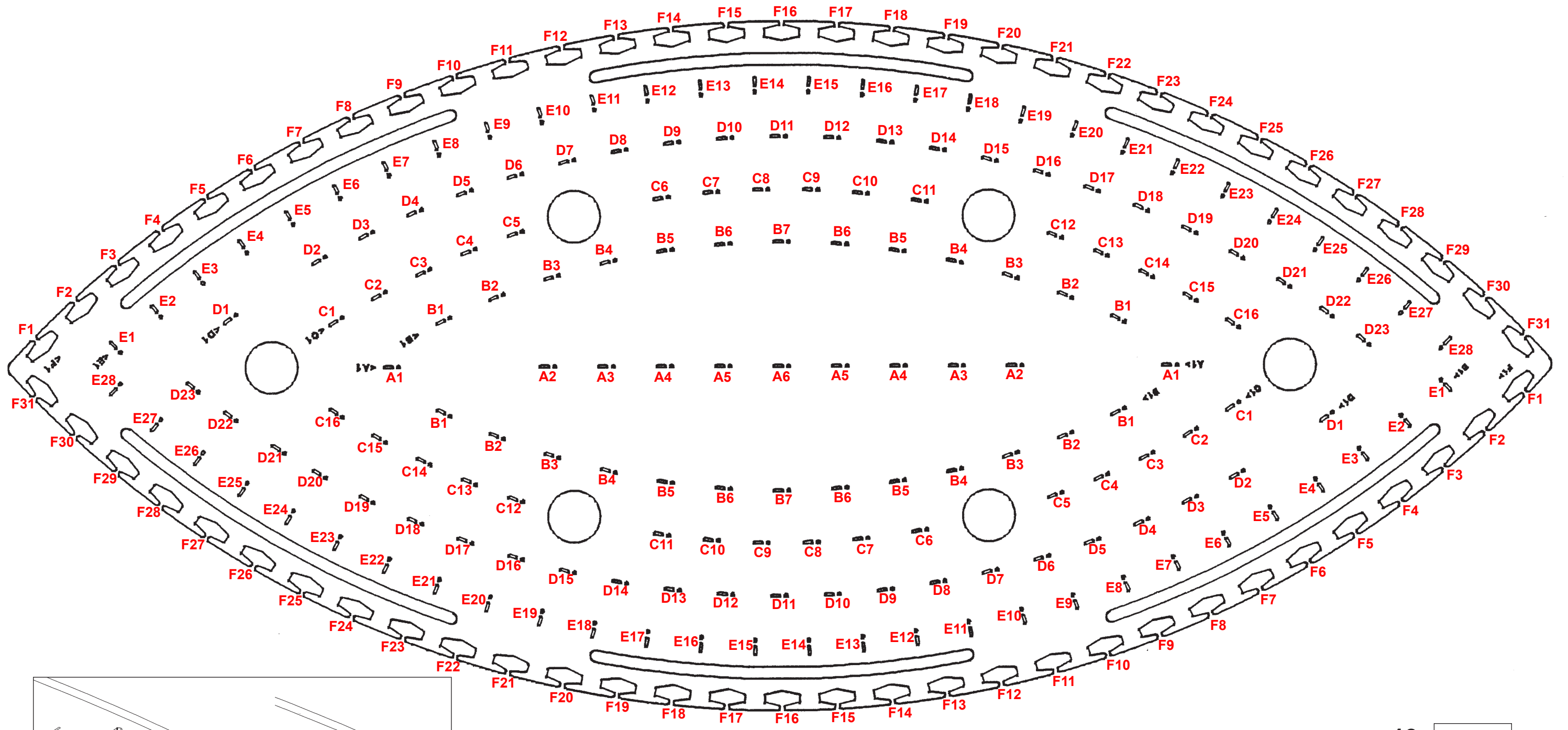


1 X  : 1746









After hanging all trim, remove labels from crystals. If residue remains, wipe off crystal with a soft, dry cloth.

- 13** A1 - A6
- 14** B1 - B7
- 15** C1 - C16
- 16** D1 - D23
- 17** E1 - E28
- 18** F1 - F31