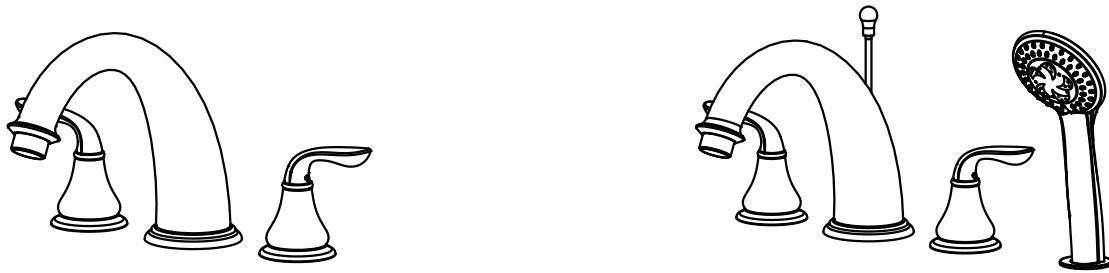


Thank you for purchasing Derengge®.

We would like to take this opportunity to thank you for your business with Derengge. It is our sincere hope that you are completely satisfied with your experience. We welcome any questions or comments you may have, and will be glad to assist you in the future. Please read below instructions carefully before installing new faucet.

Two-Handle Widespreadain Roman Tub Faucet

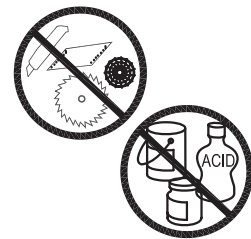
Model Number: RF-1105-CP / RF-1105-BN / RF-1105-ORB
 RF-1105-MT / RF-1105-PB / RF-1105-BG
 RF-1105-JB / RF-1105-BP / RF-1105-RV
 RF-1105-BR / RF-1105-**



Care & Maintenance:

* To keep the product clean & shining, follow the steps below:

- 1. Rinse with clean water & dry with a soft cloth.
- 2. Do not clean with soaps, acid, polish, abrasives, or harsh cleaners.
- 3. Do not use cloth with a coarse surface.
- 4. Unscrew the aerator and clean when necessary.



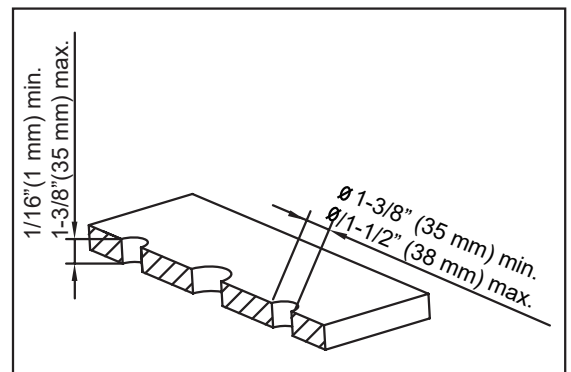
* This installation manual is subject to change without further notice.

* Please read your care and maintenance documentation to determine the limits of proper use.

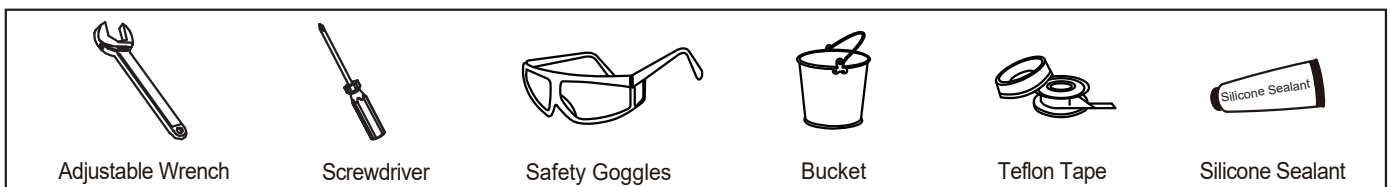
* This product has been manufactured and tested to the highest quality standards. We offer our customers thoughtfully crafted fixtures & accessories, engineered for enduring performance over years of use.

Prior to Installation:

- Turn off the hot and cold water supply at the angle stops and turn on the old faucet to release any built up pressure. Remove existing faucet. Clean sink or countertop to remove any debris, plumber's putty, or silicone.
- Place bucket under angle stops. Turn on to flush any debris prior to installing new plumbing. Shut off angle stops.
- Pre-drilled hole size requirement: 1-3/8" (min) – 1-1/2" (max)
- Max countertop thickness: 1-3/8"



Tools you will need:



Adjustable Wrench

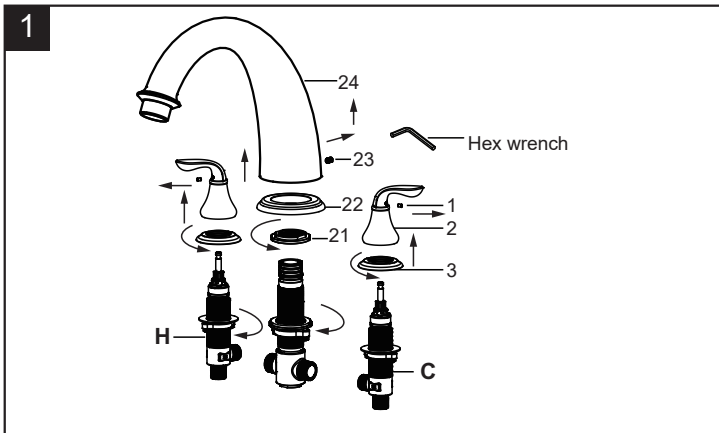
Screwdriver

Safety Goggles

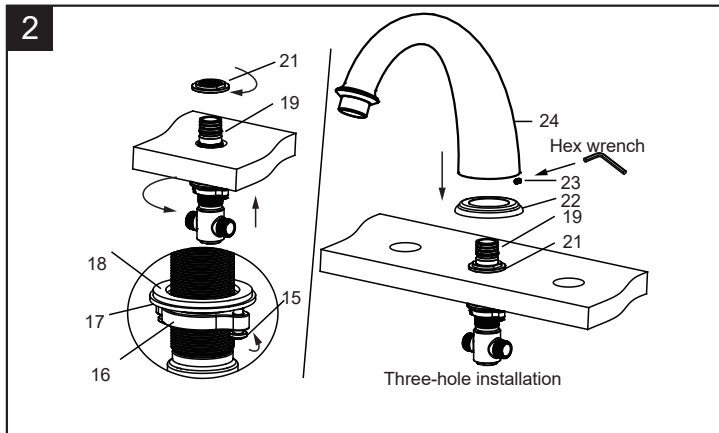
Bucket

Teflon Tape

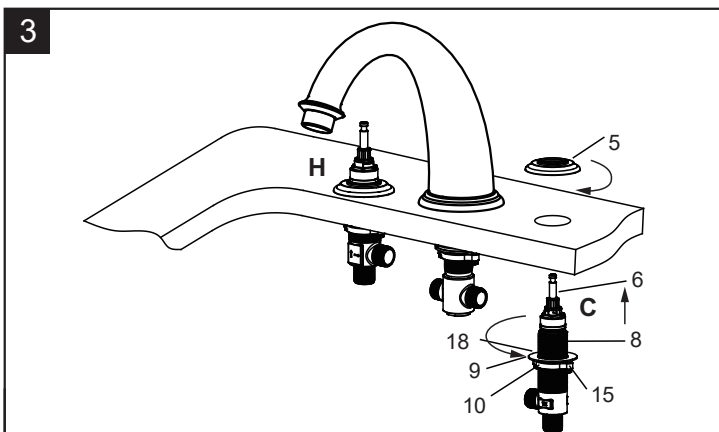
Silicone Sealant



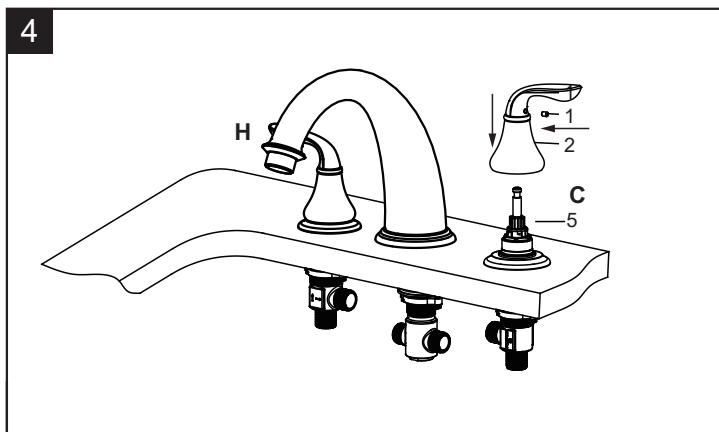
a. Using hex wrench remove spout screw(23), Remove spout(24) ,Spout flange(22) and inner flange(21).
 b. Remove screws (1) using hex wrench, removing handles, (2) and flange(3).



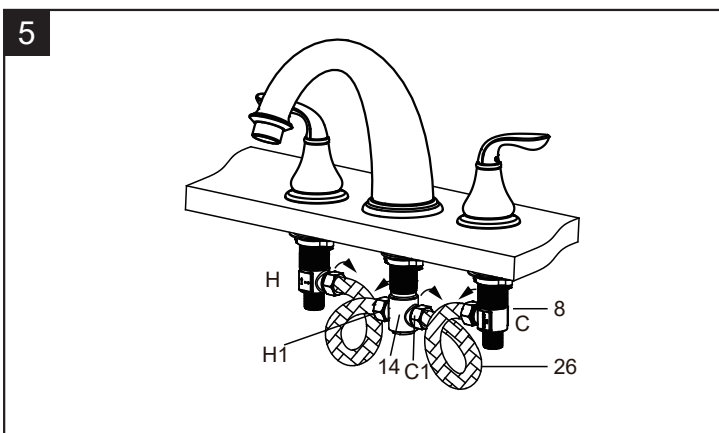
a: Place the shank(19) into center hole of the sink, Assemble Inner flange(21) into shank. Under sink secure firmly to sink with rubber washer(18),metal washer(17) and mounting nut(16) onto body underside of sink,tighten it with the locking screws(15).
 b: Place the spout(24)and spout flange into shank of the inner flange(21) ,Using hex wrench locking spout screw(23)



Place the valve body assembly(8) into center hole of the sink,Assemble flange (5) into Valve body assembly. Under sink secure firmly to sink with rubber washer(18),metal washer(9) and mounting nut(10) onto body underside of sink,tighten it with the locking screws(15).



Place the handle(2) into inverter H&C(5) of the valve body assembly(8),Using hex wrench locking handle screws(1).

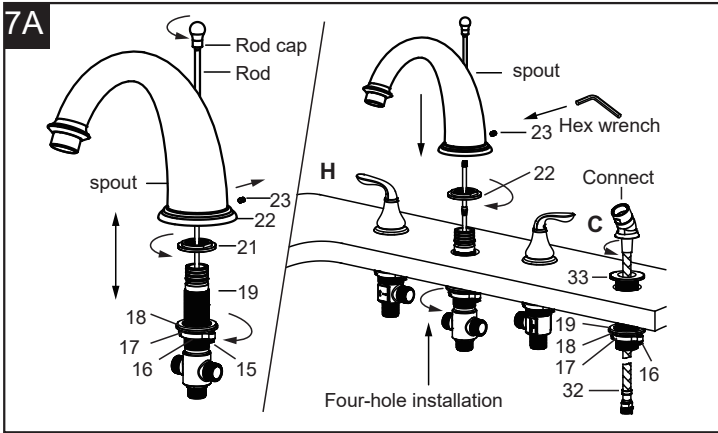


Position the bodies as in illustration to install flexible water supply hoses(26) on hot and cold inlets.wrap the male thread of the hose in clockwise into the valve body assembly (8) then tighten firmly,Screw the other end of the hose(26) onto the T-Tub coupling(13) and tighten firmly.carefully bend the hoses to fit available space.

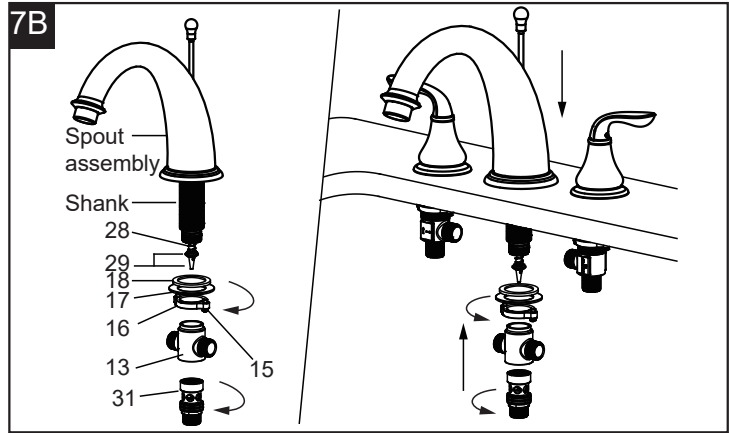
6

A:Stainless steel Braided Faucet supply Tubes:
 This the simplest of all installations.If you are using stainless steel braided faucet supply tubes, this faucet requires one end of the supply tube to have a 1/2" female IPS connection.The other end of this supply tube must match the thread on the water supply fittings or shut off valve under your sink.Once you have identified the required tube, carefully follow the manufacture's installations instructions for each tube.

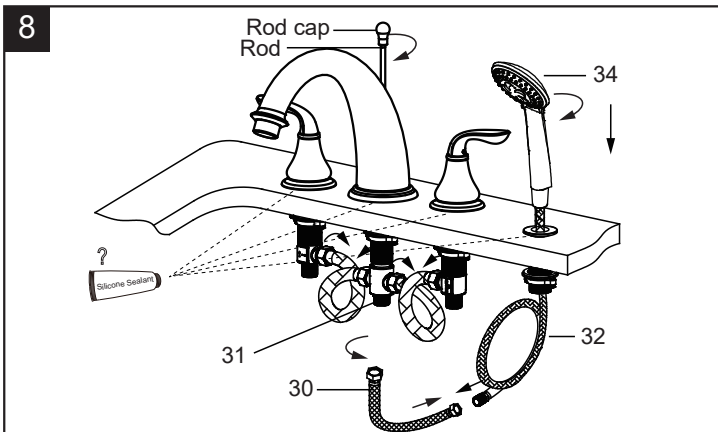
B:Ball Nose Flexible Supplies: If you are using ball-nose flexible supplies to connect the faucet to water supply lines;Slip coupling nut behind ball-nose of flexible supply tube.Ball nose coupling will go Partially into IPS shank or fitting. Tighten coupling nut (DO NOT OVER TIGHTEN). Install opposite end according to manufacture's instructions for both tubes.



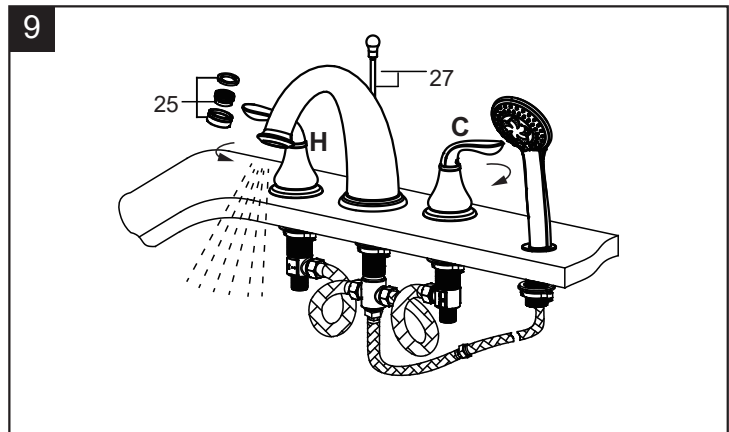
a Using hex wrench remove spout screw(23),remove rod cap,remove spout , spout flange and inner flange(21).
 b:Place the shank(19) into center hole of the sink,Assemble Inner flange(21) into shank and rod. Under sink secure firmly to sink with rubber washer(18),metal washer(17) and mounting nut(16) onto body underside of sink,tighten it with the locking screws(15).Place the spout assembly into shank of the inner flange(21) ,Using hex wrench locking spout screw(23).Place the shower seat(33) into center hole of the sink,Under sink secure firmly to sink with rubber washer(18), metal washer(17) and mounting nut(16) onto seat underside of sink,tighten it with the locking screws(15).Place the connect and Handheld shower hose into shank of the shower seat.



a:Remove connector(31),T-Tub coupling(13),mounting nut (16),metal washer(17) and rubber washer(18).
 b:Place the spout assembly into center hole of the sink, Under sink secure firmly to sink with rubber washer(18), metal washer(17) and mounting nut(16) onto body underside of sink,tighten it with the locking screws(15).Place the T-Tub coupling(13)into center hole of the shank.Place the Connector(31) into T-Tub coupling(13) of the shank ,Using Adjustable Wrench locking Connector(31).



a:Place the rod cap into rod of the spout assembly,Assemble Handheld shower(34) into connect.
 b:install the back hose(26) as described in steps #5.
 c:Wrap the male thread of the Stainless steel hose(30) in clockwise into the Connector(31) then tighten firmly,Screw the other end of the hose(30) onto the Handheld shower hose(32) and tighten firmly.carefully bend the hoses to fit available space.



Make sure the lift rod (27) is in the down position. Loosen aerator assembly, Remove aerator(25)Turn faucet handle allthe way on. Turn on hot and cold water supplies and flush water lines for one minute. Important: This flushes away any debris that could cause damage to internal parts. Reassemble aerator assembly ,while water is running, check for leaks.

Trouble-Shooting:

If you have followed the instructions carefully and your faucet still does not work properly,take the following corrective steps:

PROBLEM	CAUSE	ACTION
Aerator drips or has inconsistent water flow pattern	Aerator may be dirty or not seated properly	Unscrew aerator with aerator key and clean out debris

This installation manual is subject to change without further notice.

Exploded Drawing

RP(Replacement Parts)

NO.	DESCRIPTION
1	Screws
2	Handles
3	Flange
4	Bolt
5	Inverter H & C
6	Bonnet
7	Ceramic cartridge
8	Valve body assembly
9	Metal washer A
10	Mounting nut A
11	O-Ring A
12	Connector A
13	T-Tub coupling
14	O-Ring B
15	Screws
16	Mounting nut B
17	Metal washer B
18	Rubber washer
19	Shank
20	O-Ring C
21	Inner flange
22	Spout flange
23	Spout screw
24	Spout
25	Aerator assembly
26	Hoses
27	Diverter lift rod
28	Spring
29	Seal seat and Washer
30	Stainless steel hose
31	Connector B
32	Handheld shower hose
33	Shower seat
34	Handheld shower

