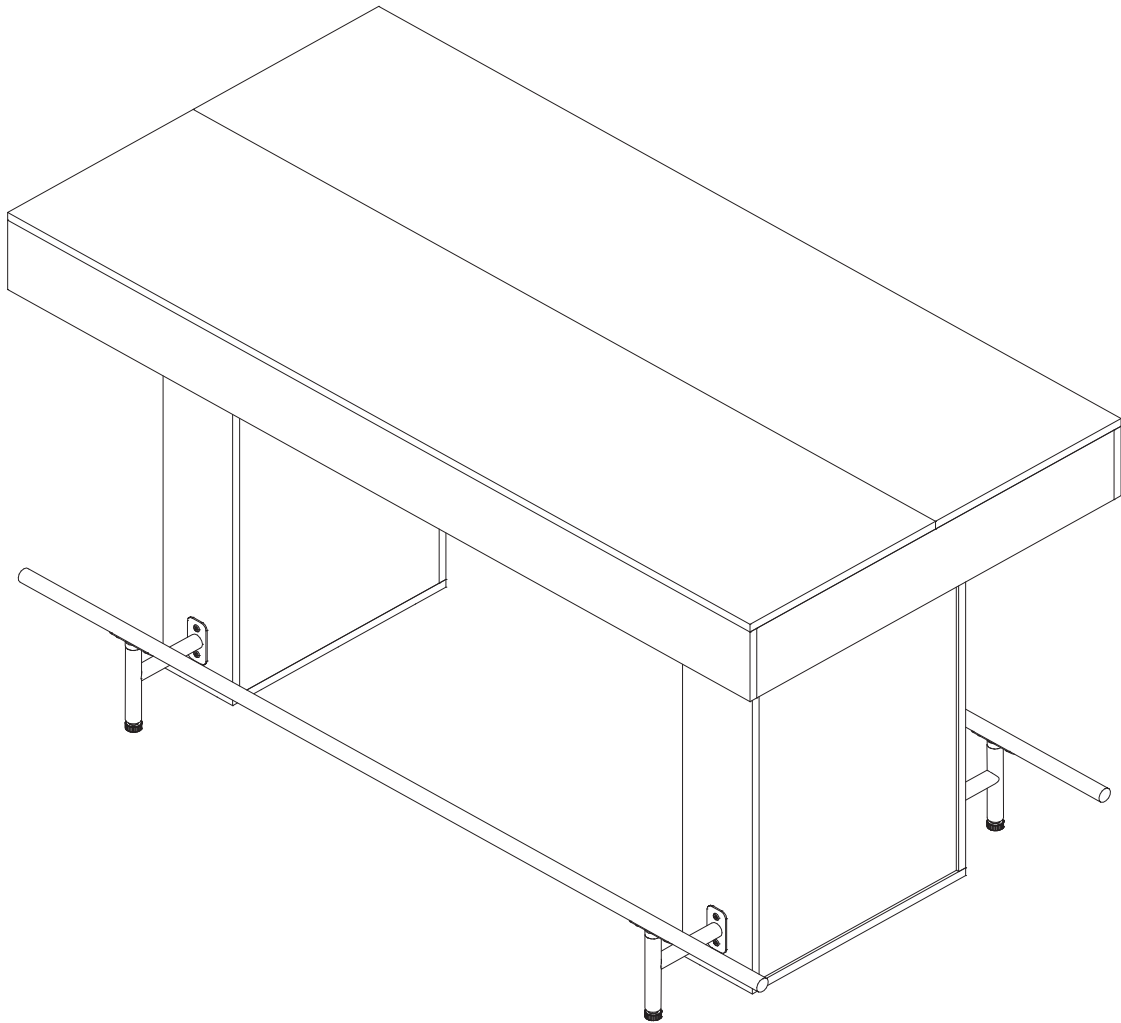

Assembly Instructions

Model No. YDS-Y0012



Notes: Don't tighten screws completely at first, just in case parts were assembled wrong and need be disassembled. Tighten screws at last when all parts are put together.

Contact us!

We're here to help!

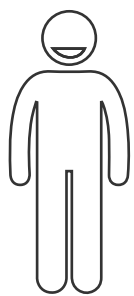
If you have any issues with this product, please contact our customer service team **before returning** it.



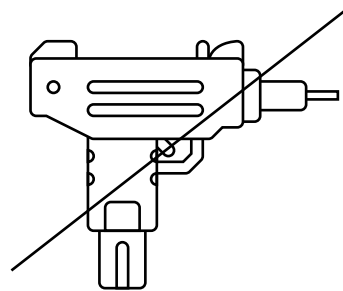
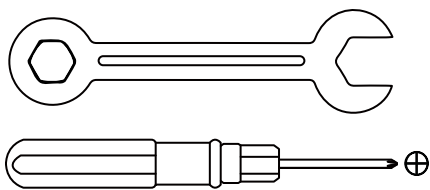
We want you to be completely satisfied with your purchase! If anything is missing, damaged, incorrect, or not what you expected, don't worry. Please keep the outer packaging and take photos of both the packaging and products, and then reach out to us at **YDS13538281408@163.com** We'll take care of everything and send you a free replacement, so you can enjoy your purchase as soon as possible without any hassle.

Assembly Instructions:

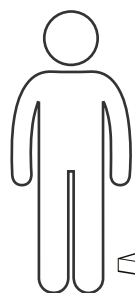
1. Carefully read these instructions and keep them for future reference.
2. Refer to the parts list for guidance and ensure that you have all the pieces before starting the assembly process, if anything is missing, damaged, incorrect, contact us **FIRSTLY BEFORE** assembling.
3. When assembling, place all parts on a soft, clean, and flat surface, such as a carpet, to prevent any scratches.
4. To avoid misalignment of the holes, Please don't full tighten the screws until you ensure all parts in place.



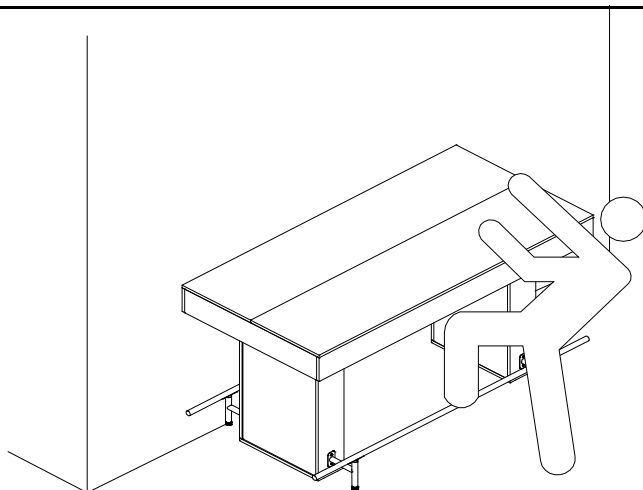
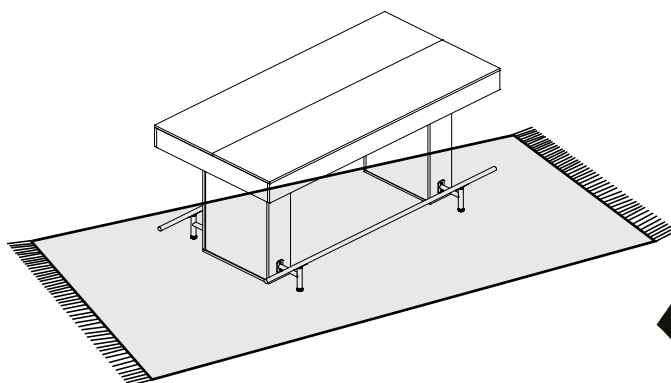
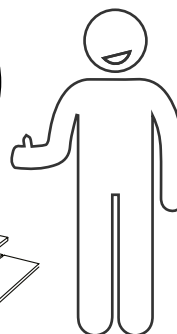
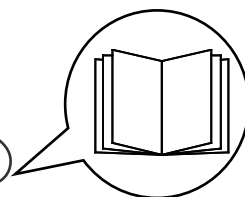
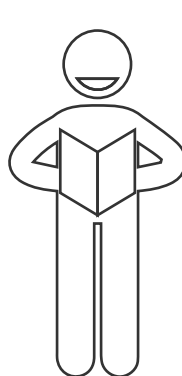
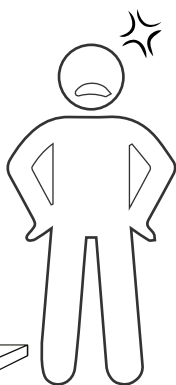
X2

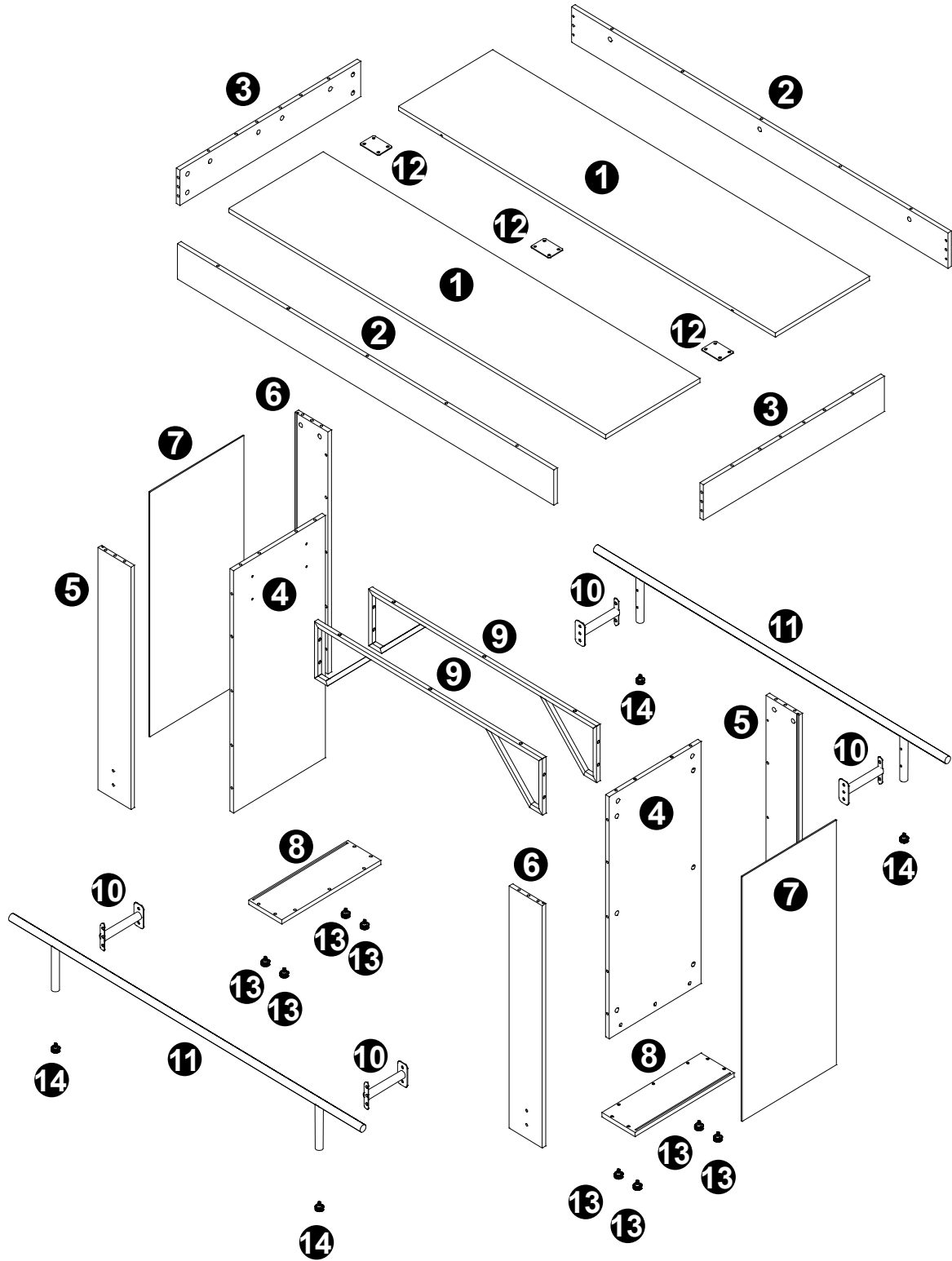


When using the electric screwdriver ,
Reduce the power and torque to avoid damaging the furniture



?



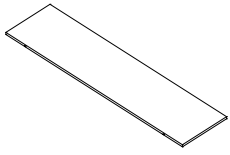


⚠ Caution

Make sure all parts are included. Most board parts are labeled or stamped on the raw edge. Contact us for free replacement if having damaged or missing parts

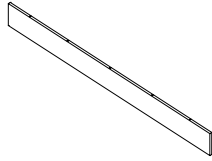
Parts & Hardware List

1600X400X15



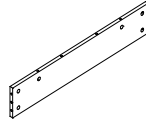
① 2pc

1597X125X15



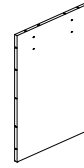
② 2pc

768X125X15



③ 2pc

855X391X15



④ 2pc

855X140X15



⑤ 2pc

855X140X15



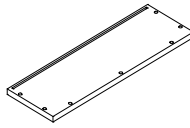
⑥ 2pc

864X400X4

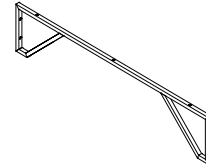


⑦ 2pc

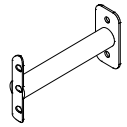
421X140X15



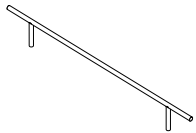
⑧ 2pc



⑨ 2pc

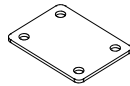


⑩ 4pc



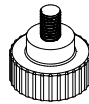
⑪ 2pc

80X60



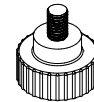
⑫ 3pc

M6



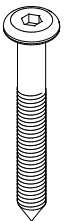
⑬ 8pc

M8



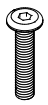
⑭ 4pc

Hardware List



M5X50MM

Ⓐ 14pcs



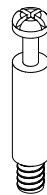
M6X25MM

Ⓑ 22pcs



M6X12MM

Ⓒ 20pcs



Ⓓ 46pcs

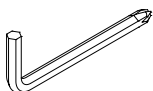


Ⓔ 46pcs



Ⓕ 28pcs

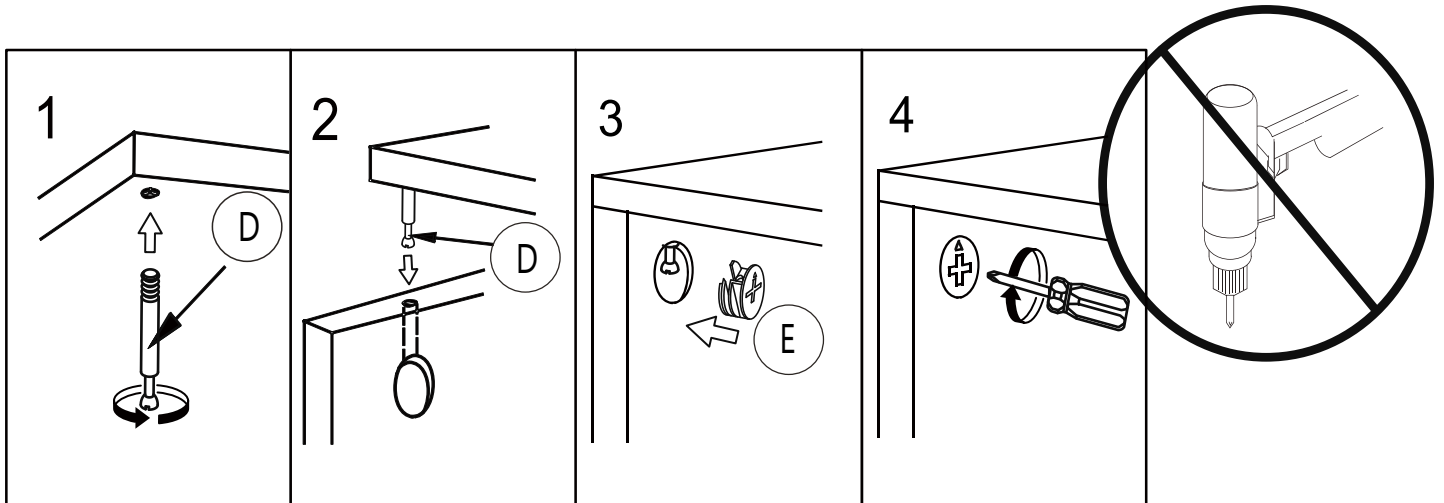
M4



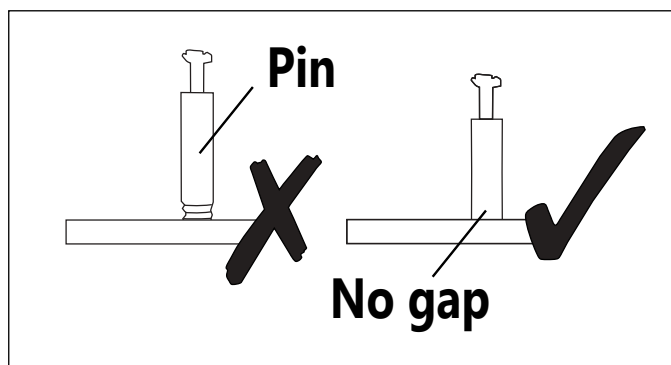
Ⓖ 1 pcs

Installation of Cams and Pins

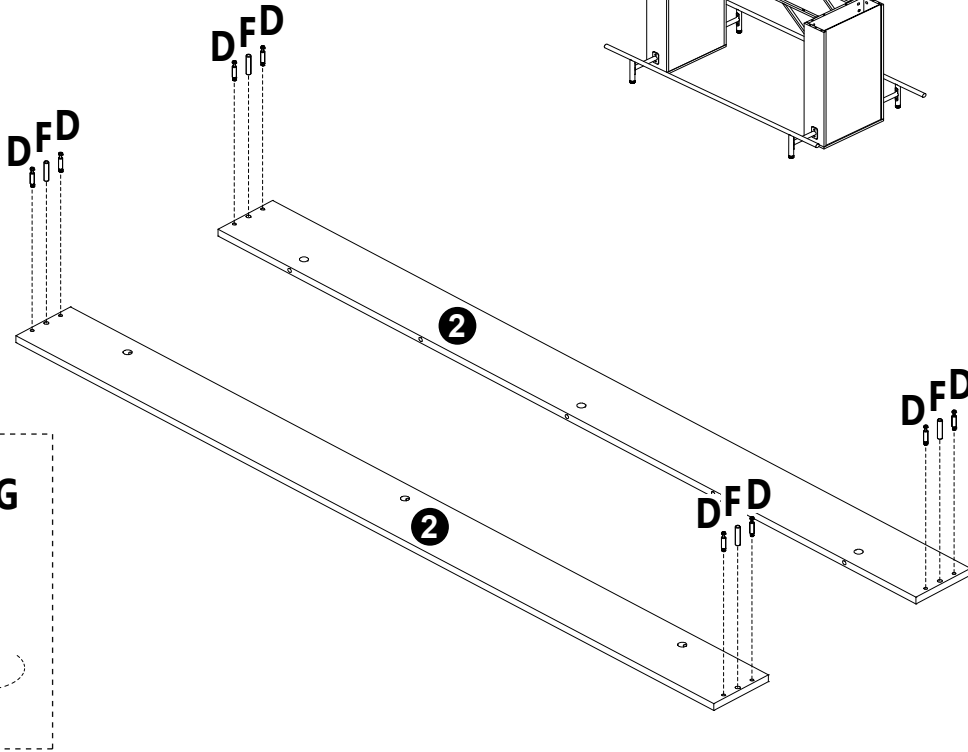
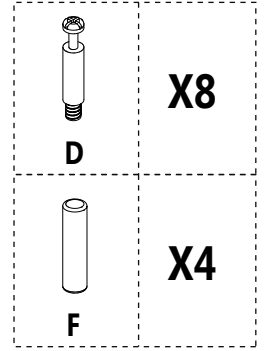
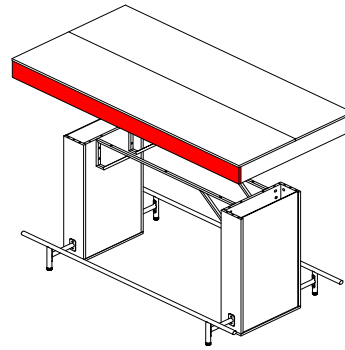
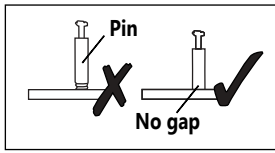
Screw the pin into the hole. To set the cams correctly, ensure that the arrow on the cam is opening to the hole of the pin it is locking. Lock the cam by turning the cam head with a screwdriver until it is tightened. Please do not use an electric screwdriver to assemble the unit.



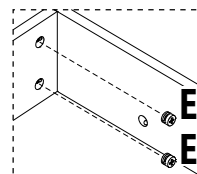
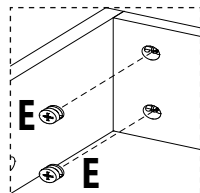
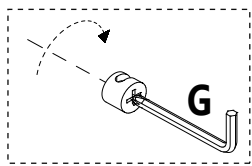
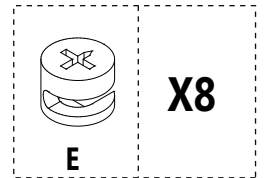
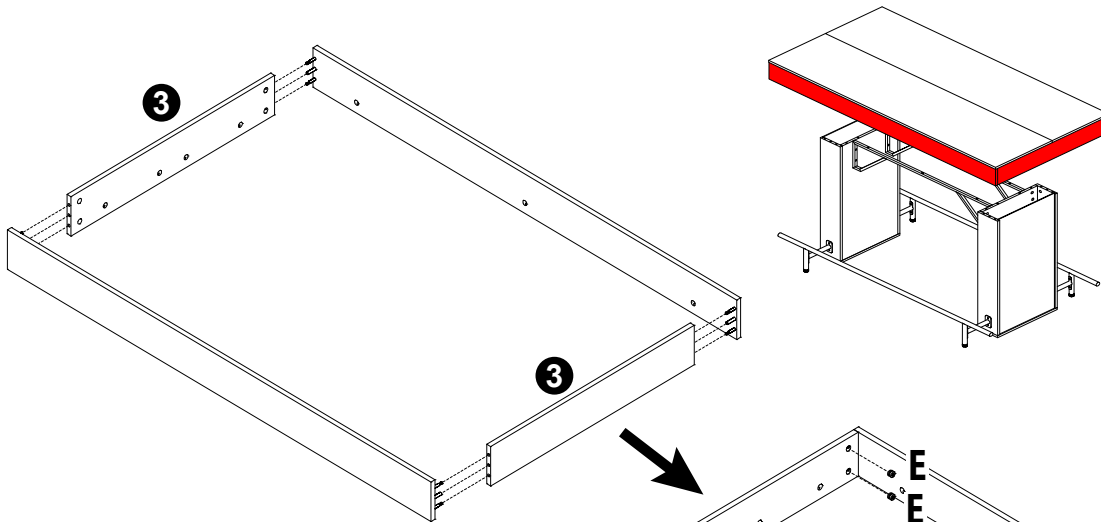
Read each step carefully before starting. It is very important that each step of instruction is performed in the correct order. If these steps are not followed in sequence, assembly difficulties will occur.



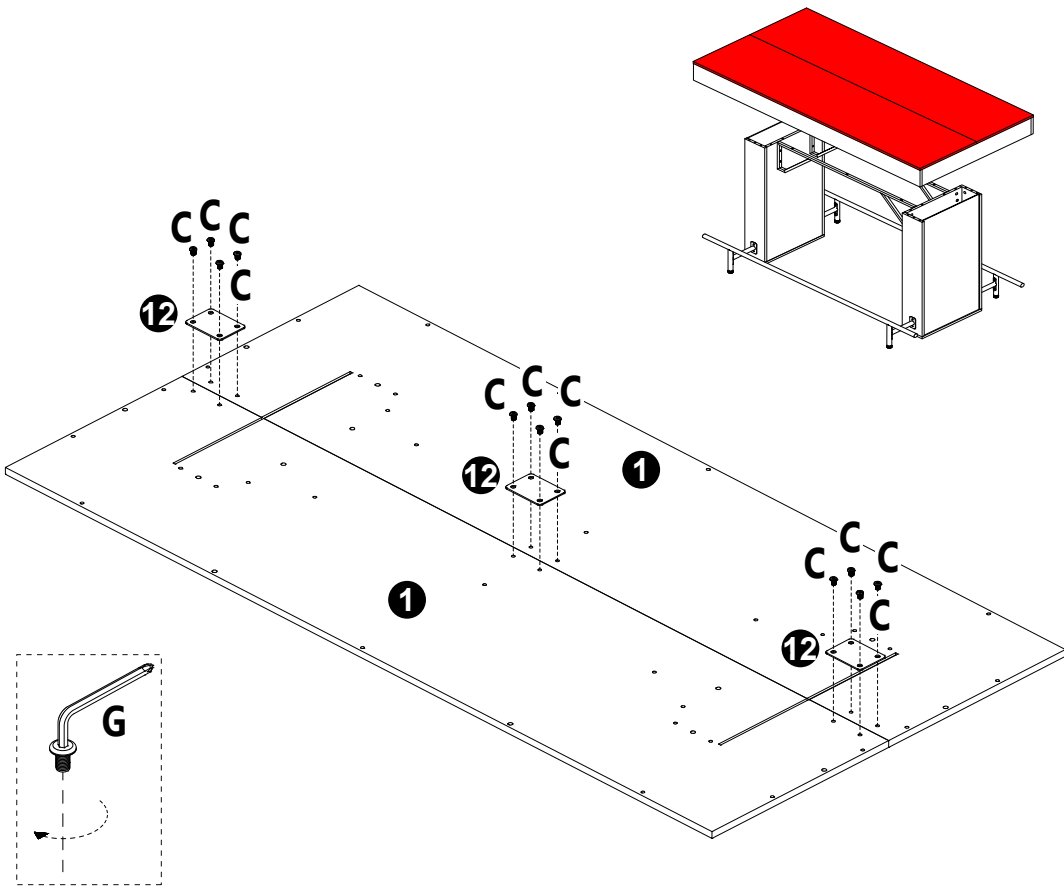
1


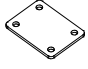


2

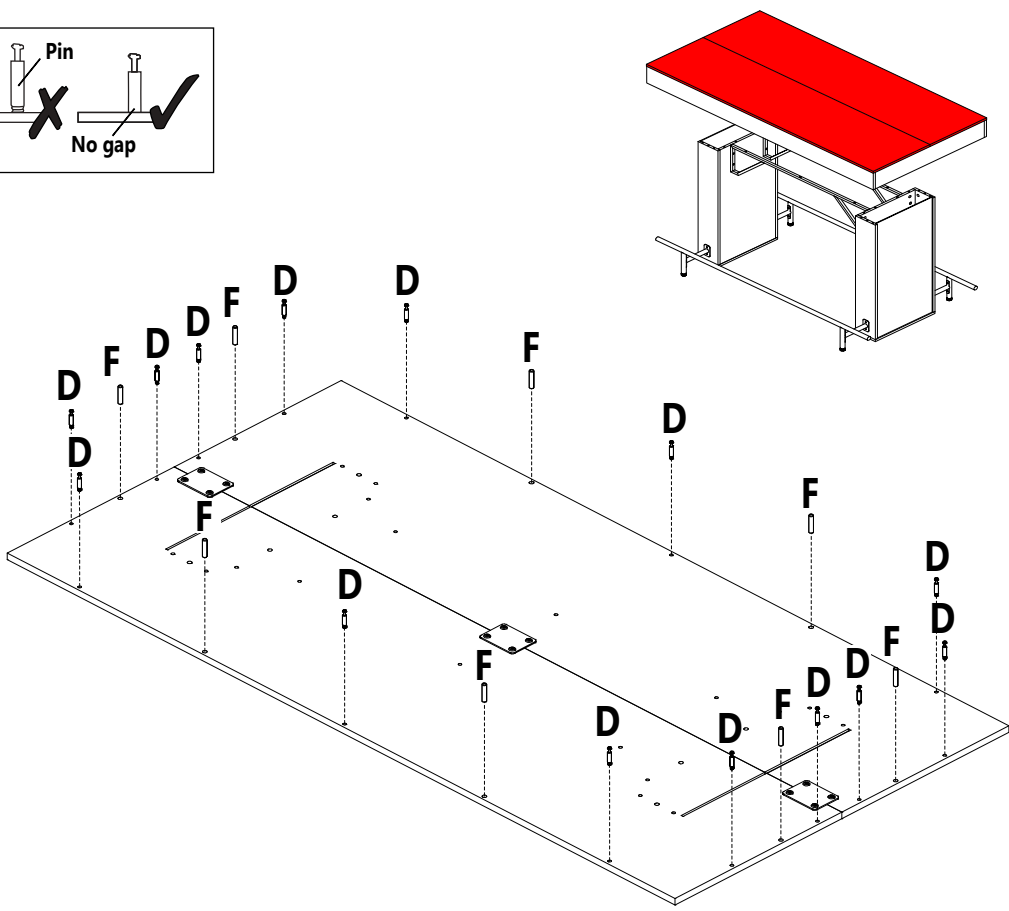
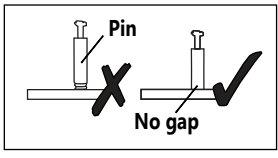




3

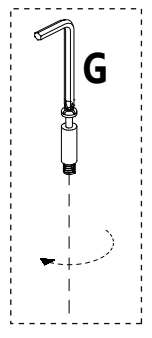


 M6X12MM C	X12
 12	X3

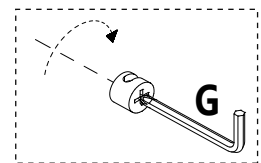
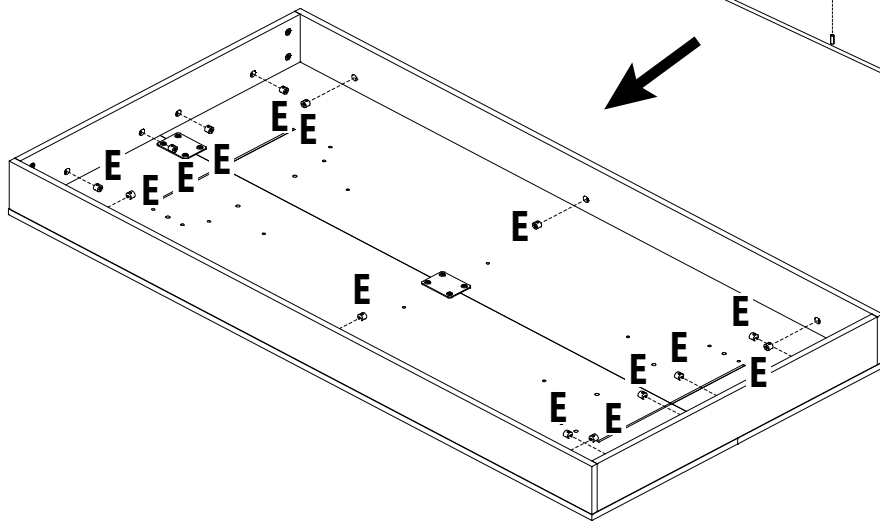
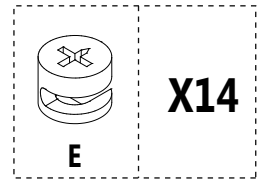
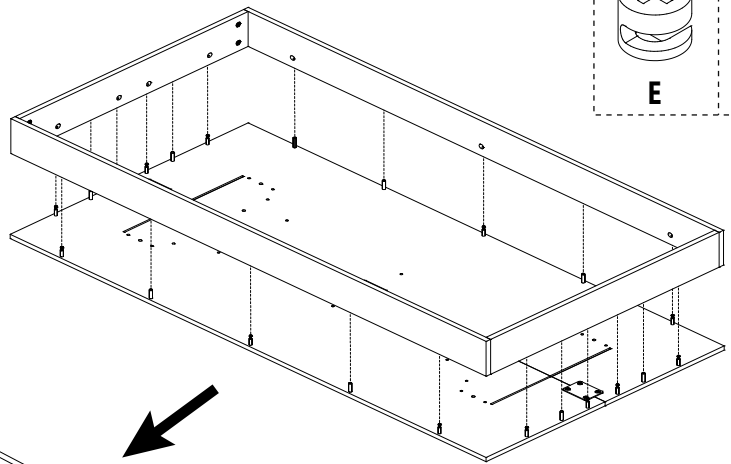
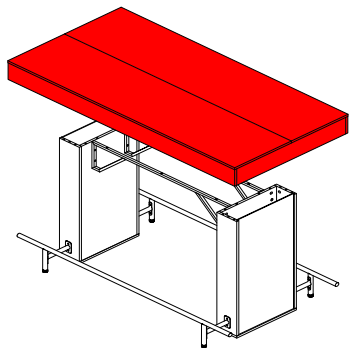
4



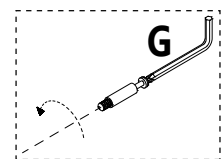
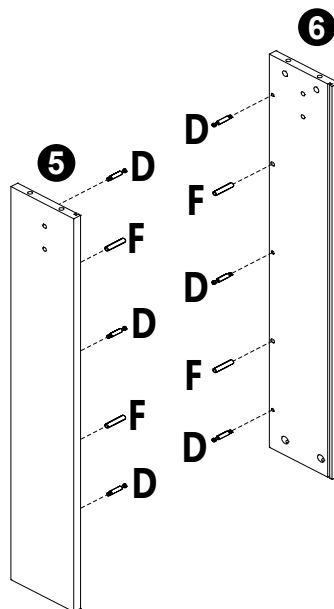
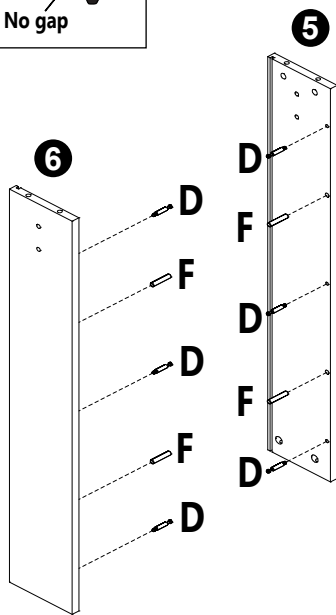
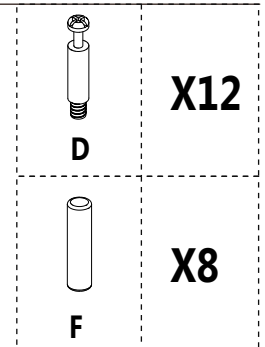
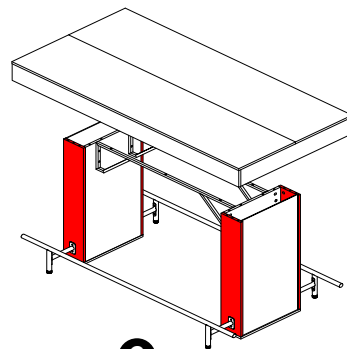
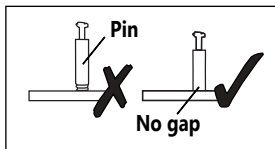
 D	X14
 F	X8



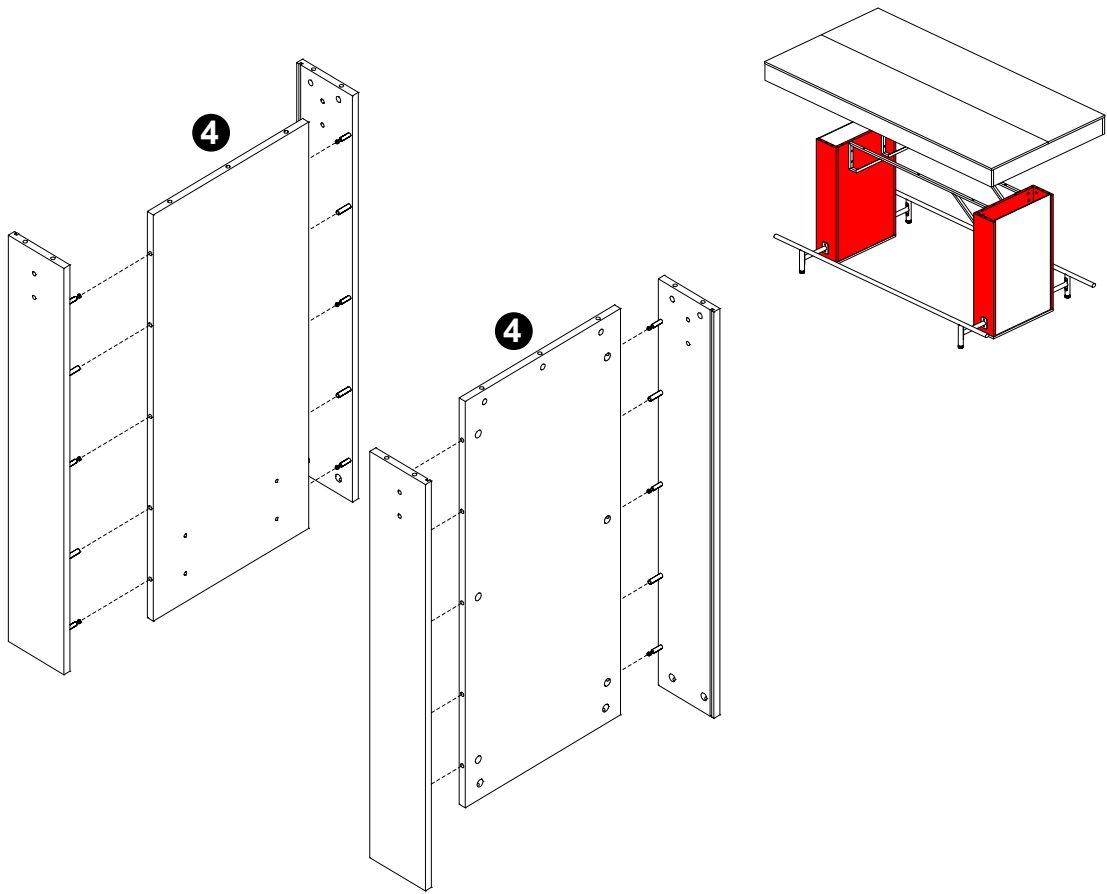
5



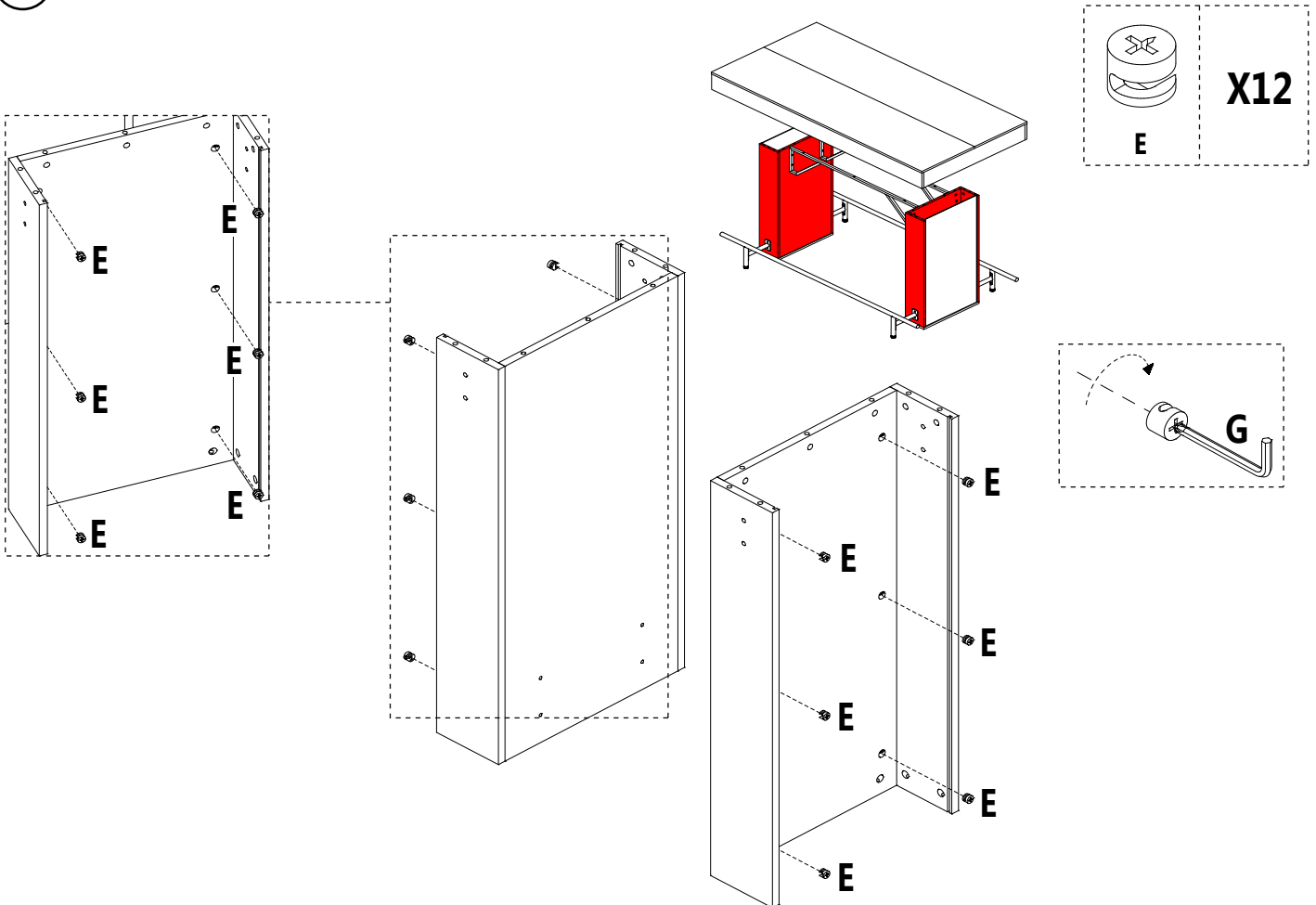
6



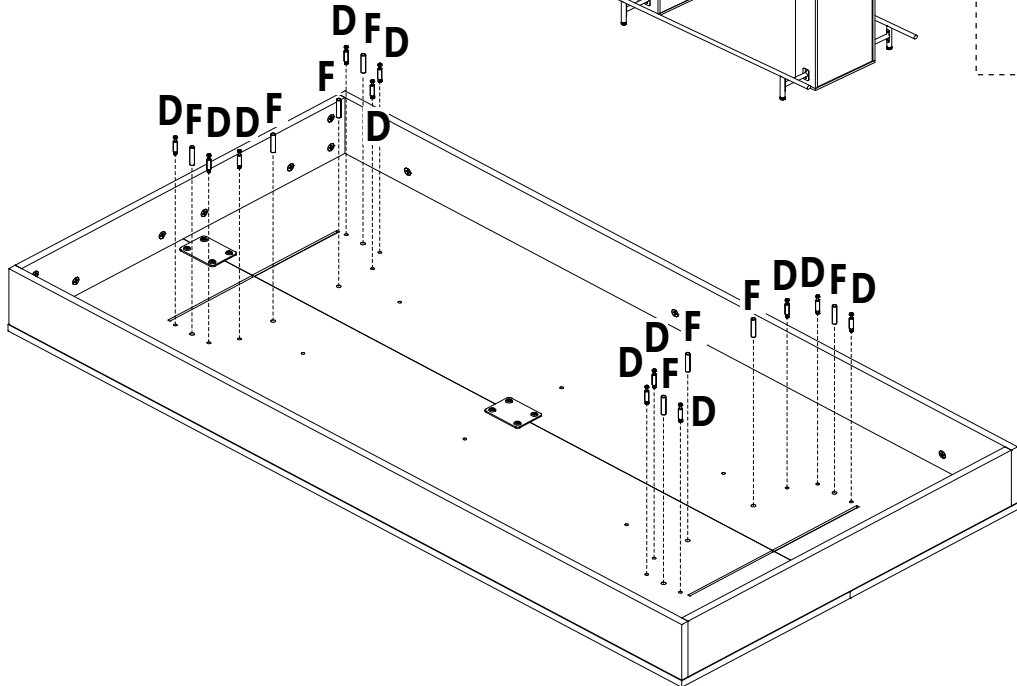
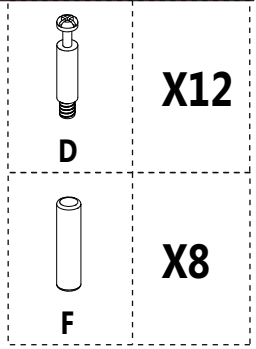
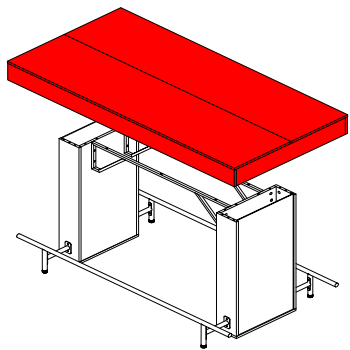
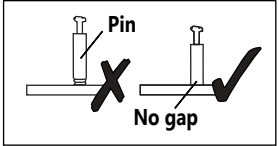
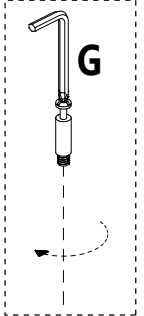
7



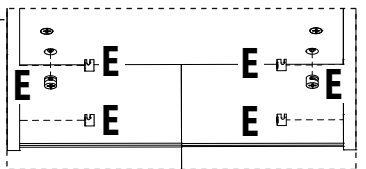
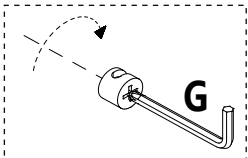
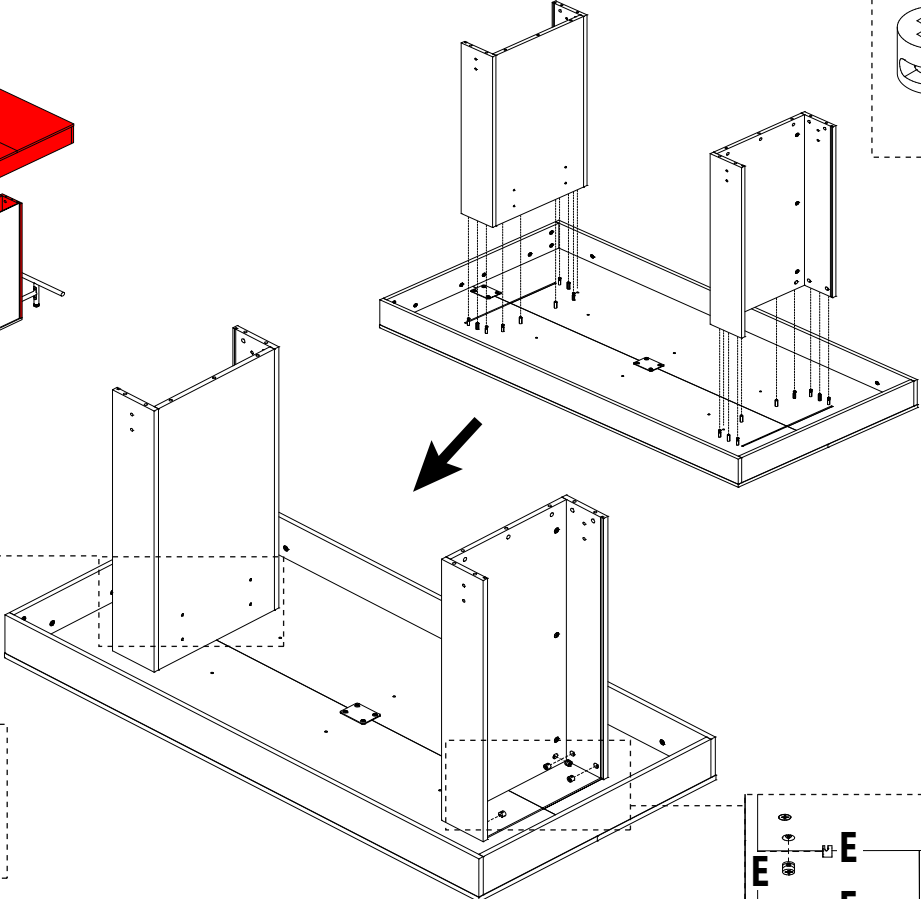
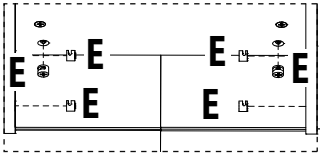
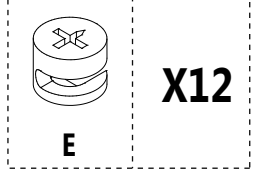
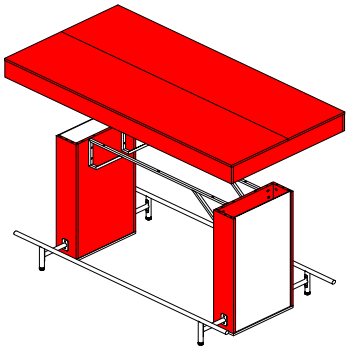
8



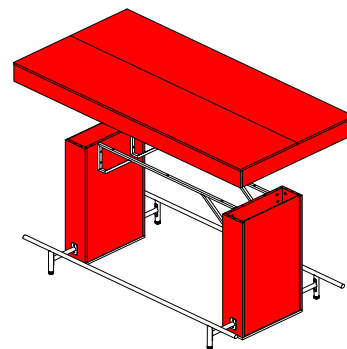
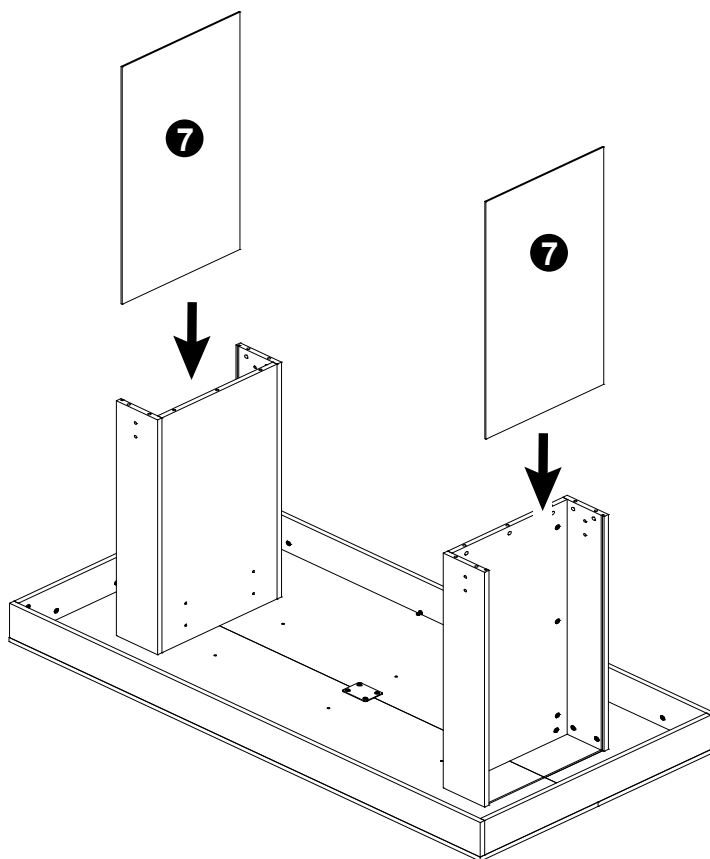
9



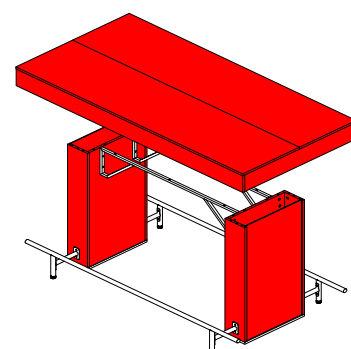
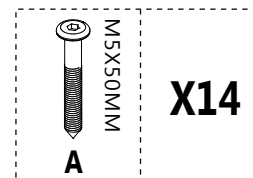
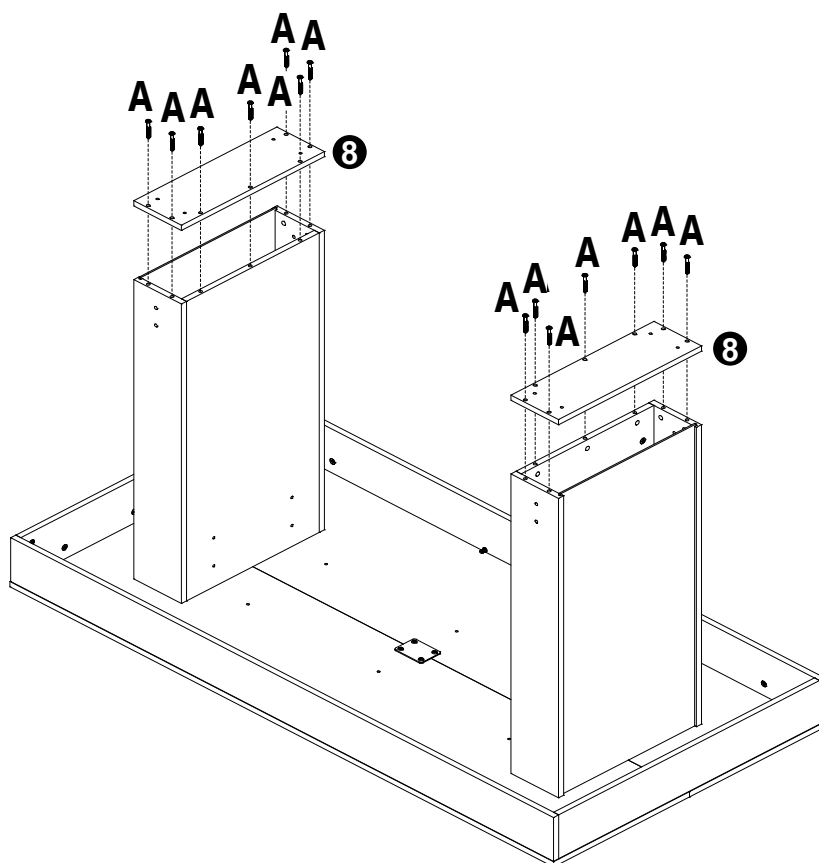
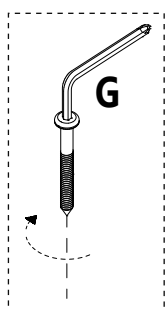
10



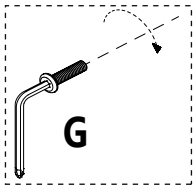
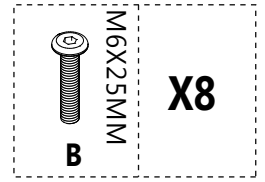
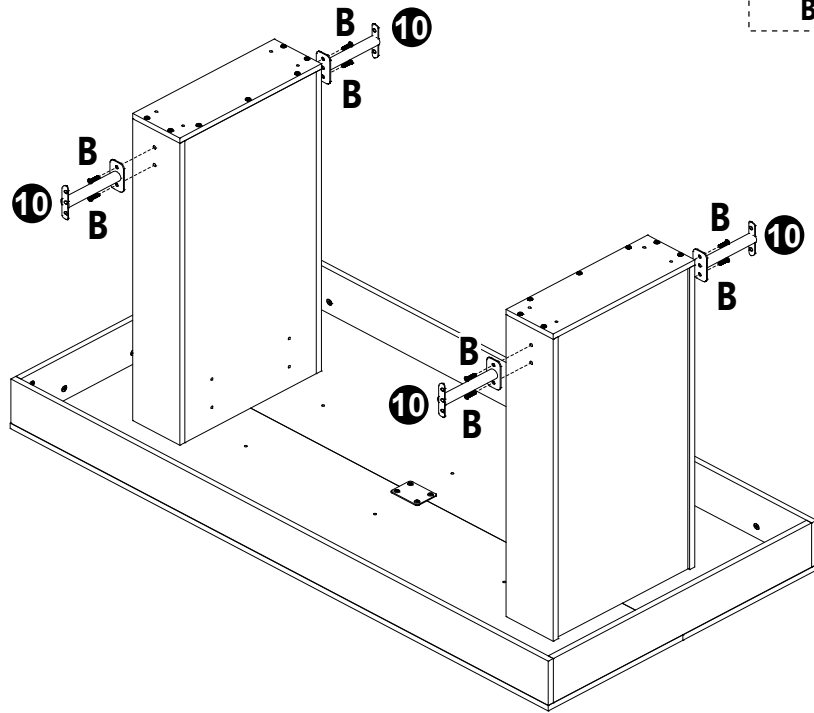
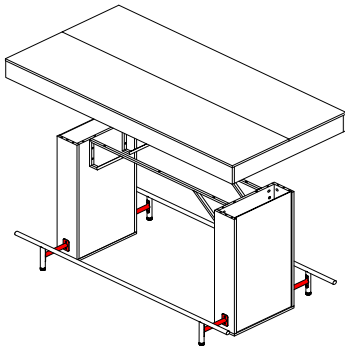
11



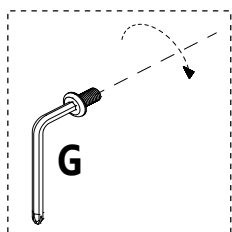
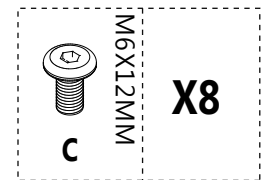
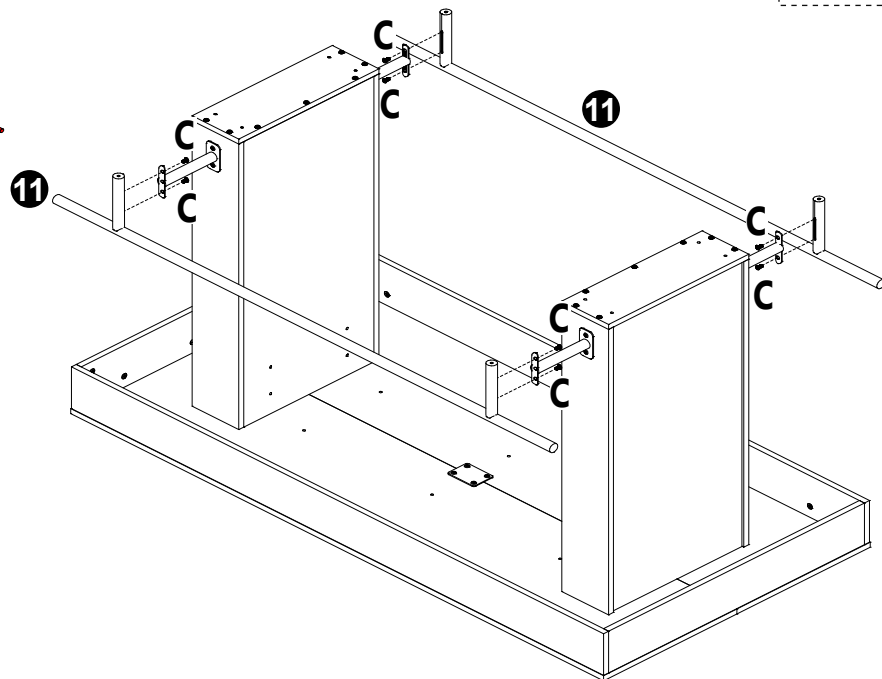
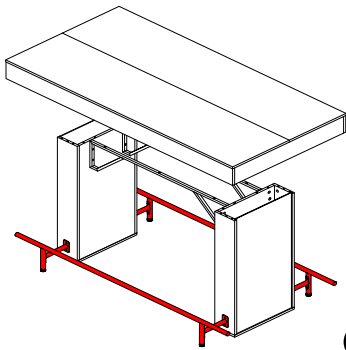
12



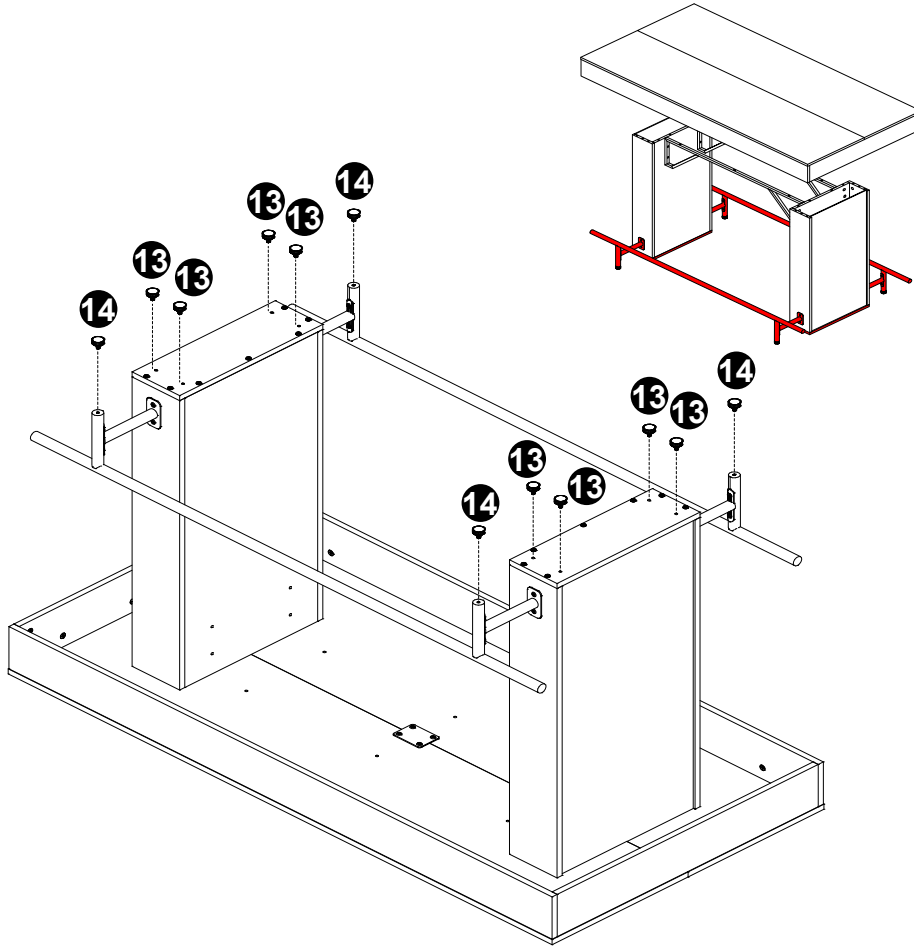
13

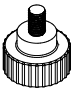
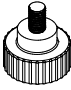


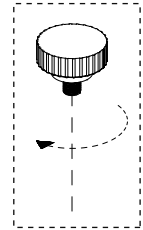
14



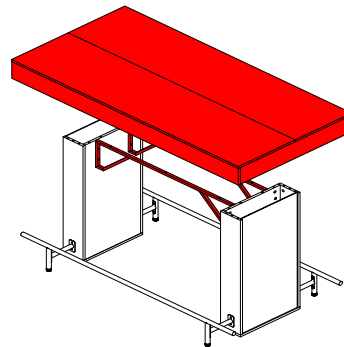
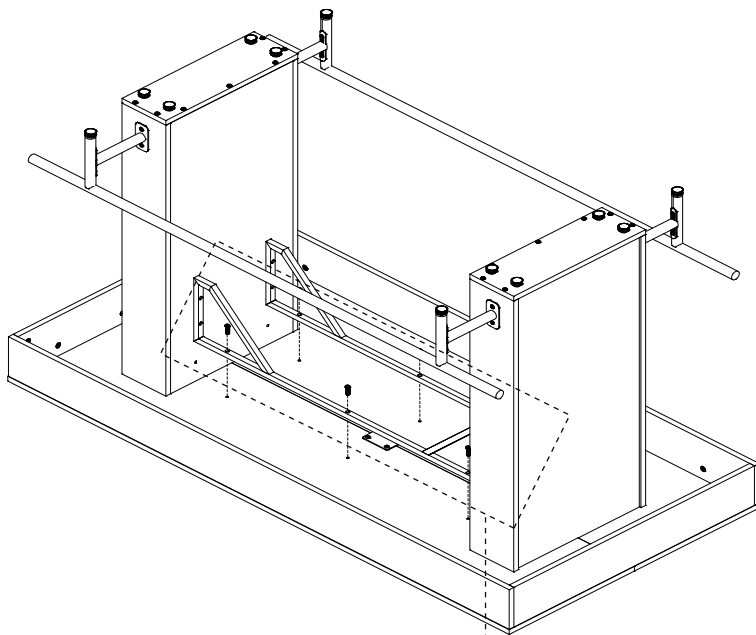
15

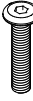


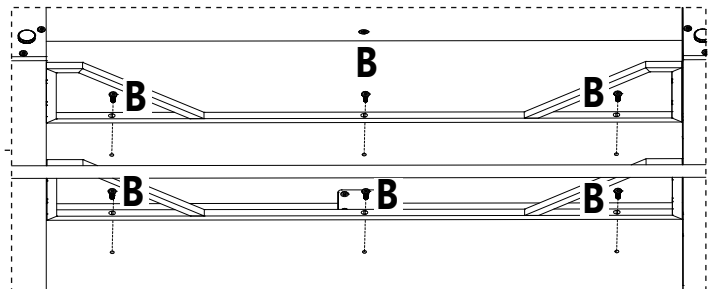
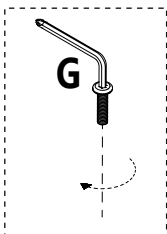
M6		X8
13		
M8		X4
14		



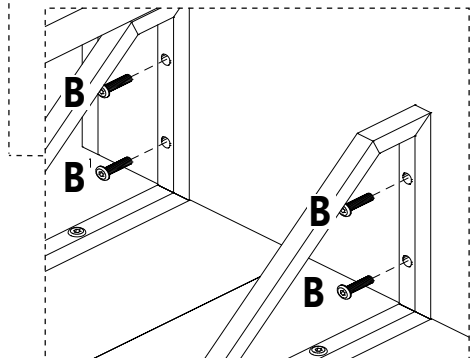
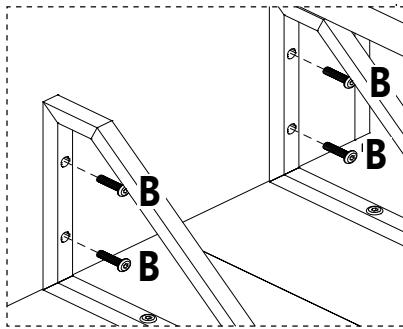
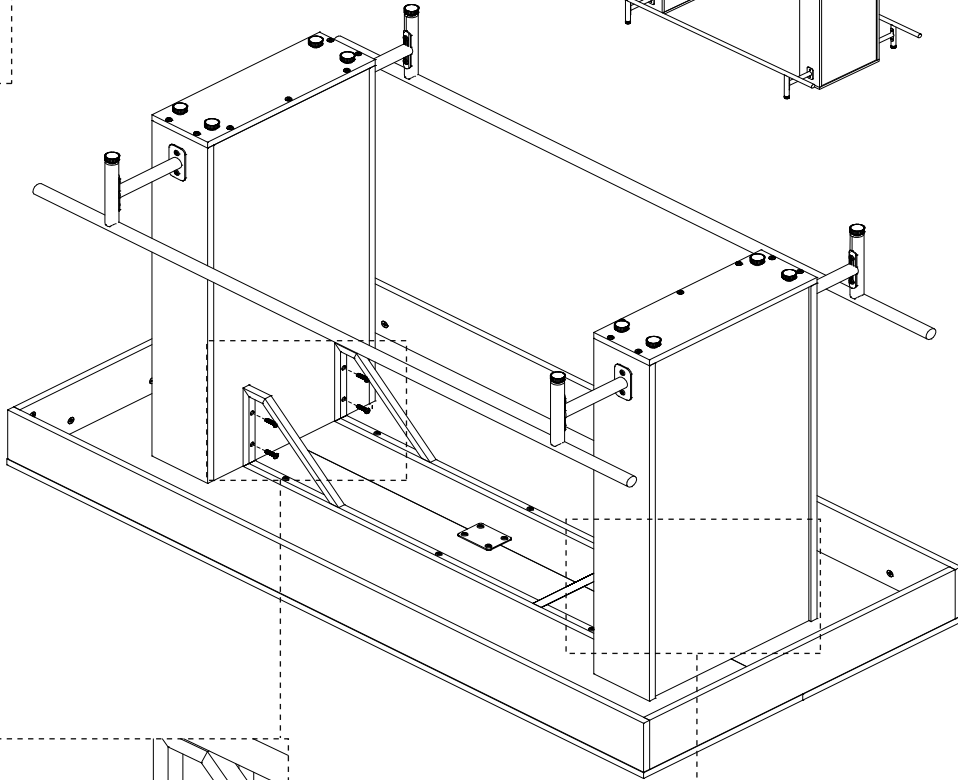
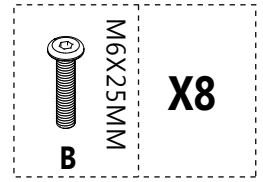
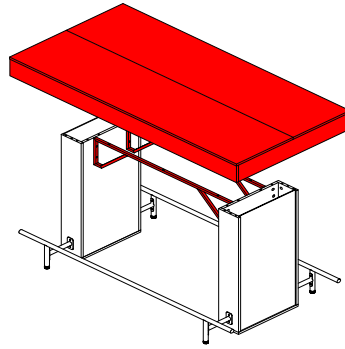
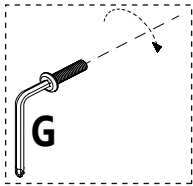
16

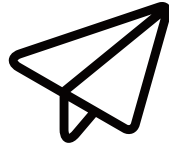


	M6X25MM	X6
B		



17





No heartburn,when we handle the return

Our way



YDS13538281408@163.com



Replacement/Refund



You

Their way



Re-package item



Schedule pick-up



Track package



Replacement



You

Contact our customer service team



YDS13538281408@163.com