

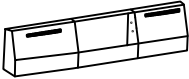
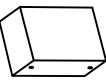


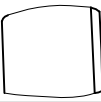
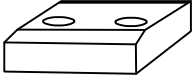




Best Quality Furniture™
The Best Choice for your Home

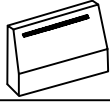










ASSEMBLY INSTRUCTIONS

ITEM NO: S01 S02 S03 S04 SECTIONAL




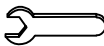


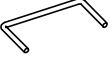
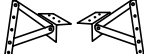
PARTS LIST SOFA

NO	DESCRIPTION	DRAWING	QTY
A1	Backrest		1 Pc
A2	Armrest		1 Pc
A3	Frame		1 Pc
A4	Seat cushion		3 Pcs
A5	Back cushion		2 Pcs
A6	Back cushion w / cupholder		1 Pc
C	Pillow		1 Pc
E	Leg		4 Pcs

PARTS LIST CHAISE

NO	DESCRIPTION	DRAWING	QTY
B1	Backrest		1 Pc
B2	Backrest		1 Pc
B3	Backrest		1 Pc
B4	Frame		1 Pc
B5	Seat cushion		1 Pc
B6	Seat cushion		1 Pc
B7	Back cushion		1 Pc
B8	Back cushion		1 Pc
C	Pillow		1 Pc
A5	Back cushion		1 Pc
E	Leg		4 Pcs

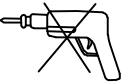
HARDWARE

NO	DESCRIPTION	SKETCH	SIZE	QTY
1	THREAD BOLT		1/4 x 80	11 Pcs
2	FLAT WASHER		1/4x22mm	11 Pcs
3	HEXNUT		1/4x10mm	11 Pcs
4	WRENCH		10x90mm	1 Pc
5	BOLT		1/4 x 20	8 Pcs
6	ALLEN KEY		1/4x20x60mm	1 Pc
7	Link Hook		Ø4x75x40	2 Pcs
8	DDT Mechanism		200 x 185 mm	1 Pair (L / R)

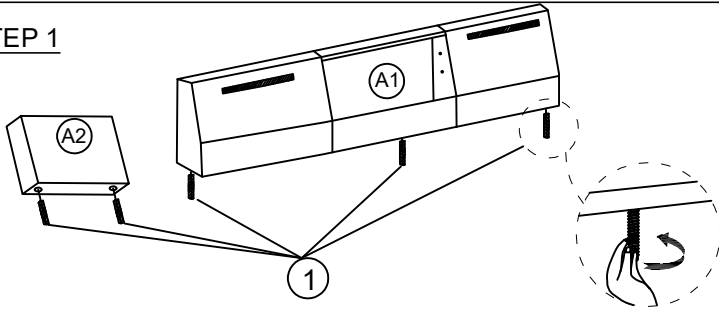
- Caution:** Please read the instructions thoroughly before unpacking assembly parts. Sharp, exposed staple tips can cause injury, therefore, for your protection, please remove any exposed staple used in packing.
1. We recommend that you should assemble this product with the assistance of another person; this will make assembly easier, and will help to eliminate damage to the product or injury to persons during assembly.
 2. Be sure to check all packing materials carefully for small parts that may have come loose inside the carton during shipment.
 3. Please do not over-tighten screws or bolts until the assembly is complete.
 4. Please put all parts on a non-abrasive floor before assembly, and follow the assembly steps to assemble your newly purchased product correctly and efficiently.

ASSEMBLY INSTRUCTIONS

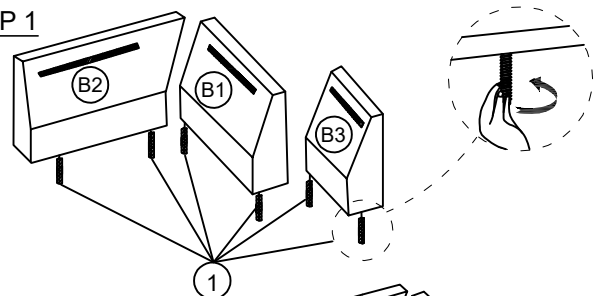
Assembly Tips: Do not use a power tool to assemble this product as it could damage the thread of the hardware and affect the solidity durability of the product.



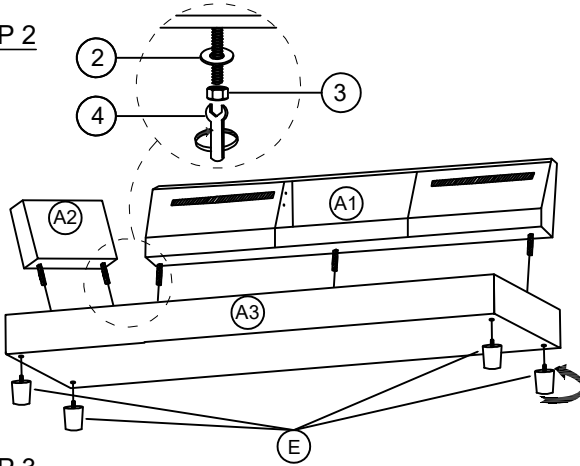
STEP 1



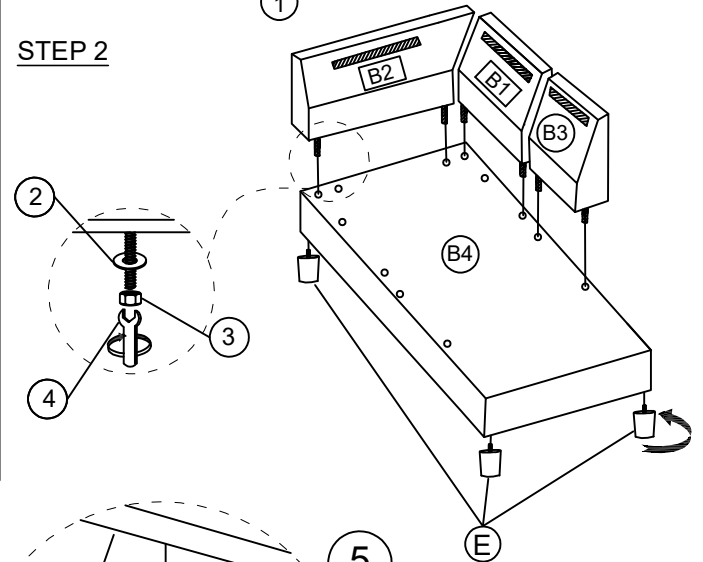
STEP 1



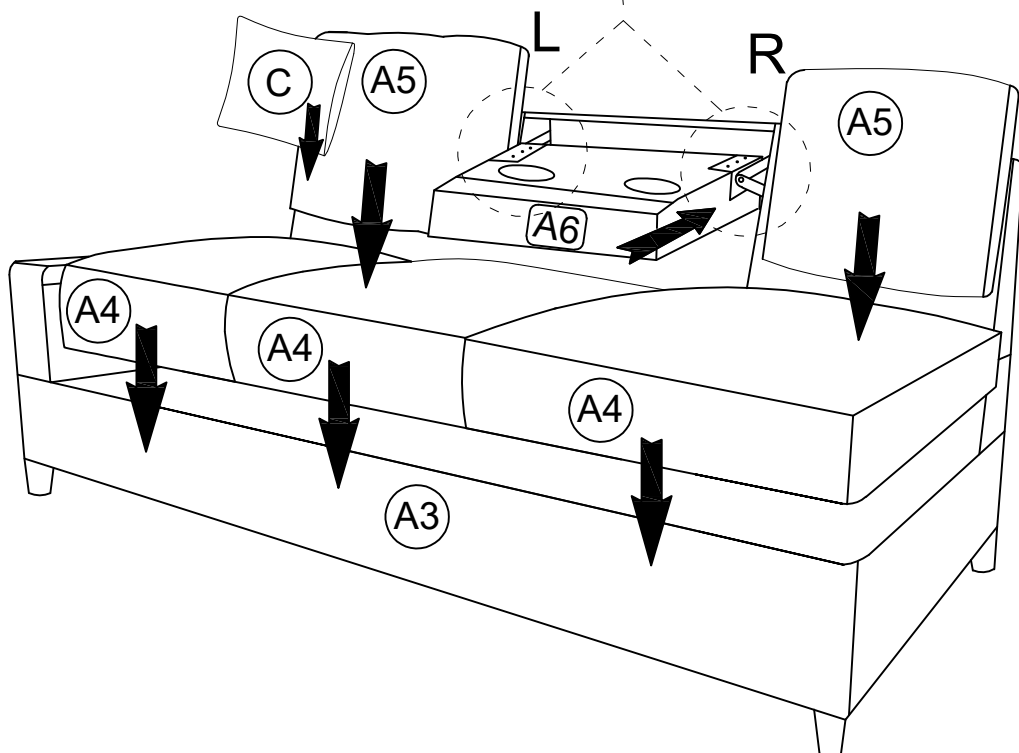
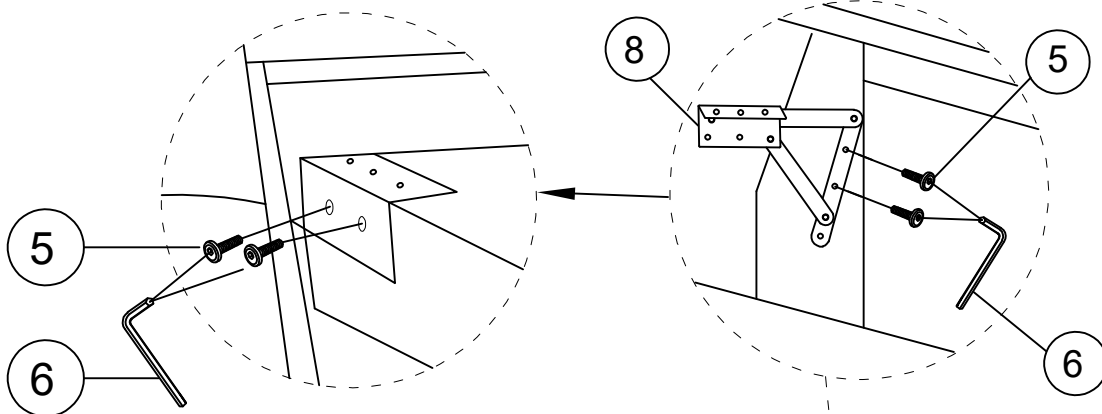
STEP 2



STEP 2



STEP 3

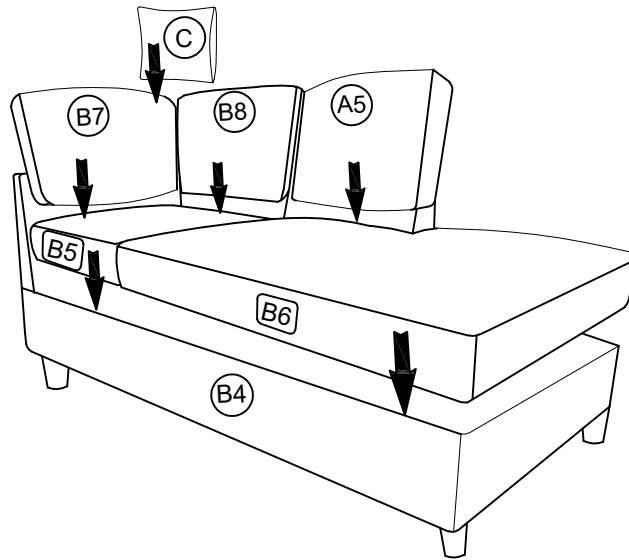


ASSEMBLY INSTRUCTIONS

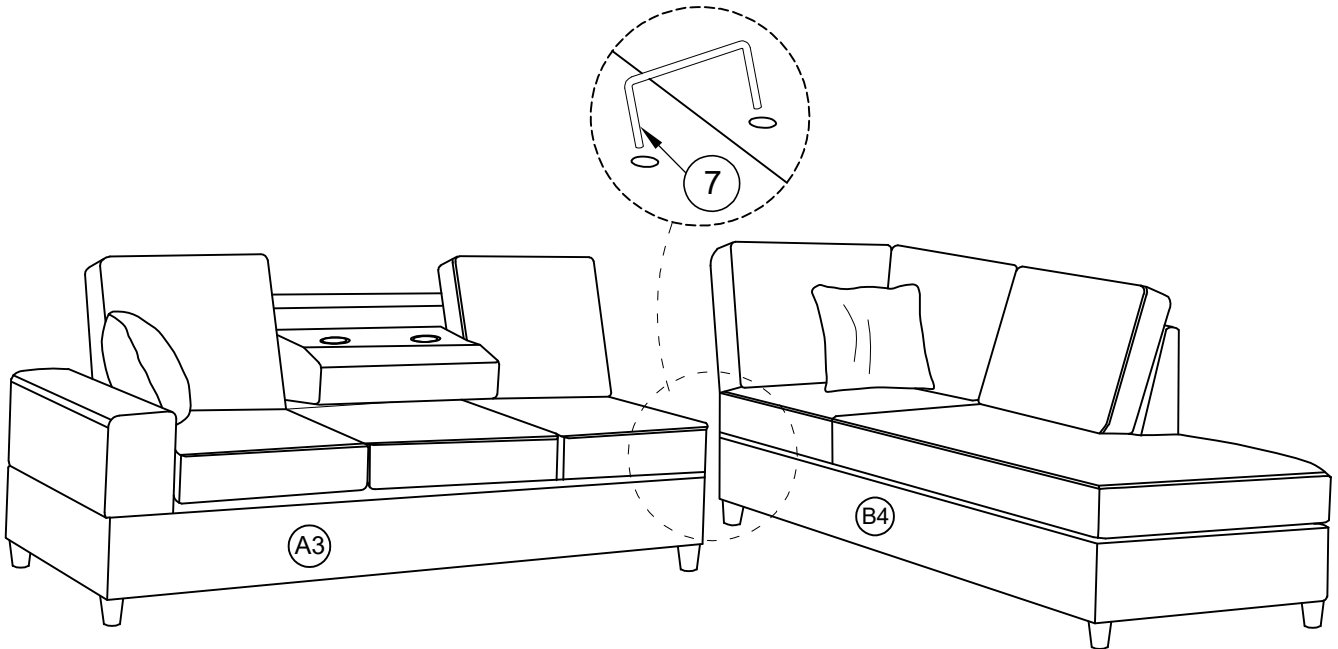
Assembly Tips: Do not use a power tool to assemble this product as it could damage the thread of the hardware and affect the solidity durability of the product.



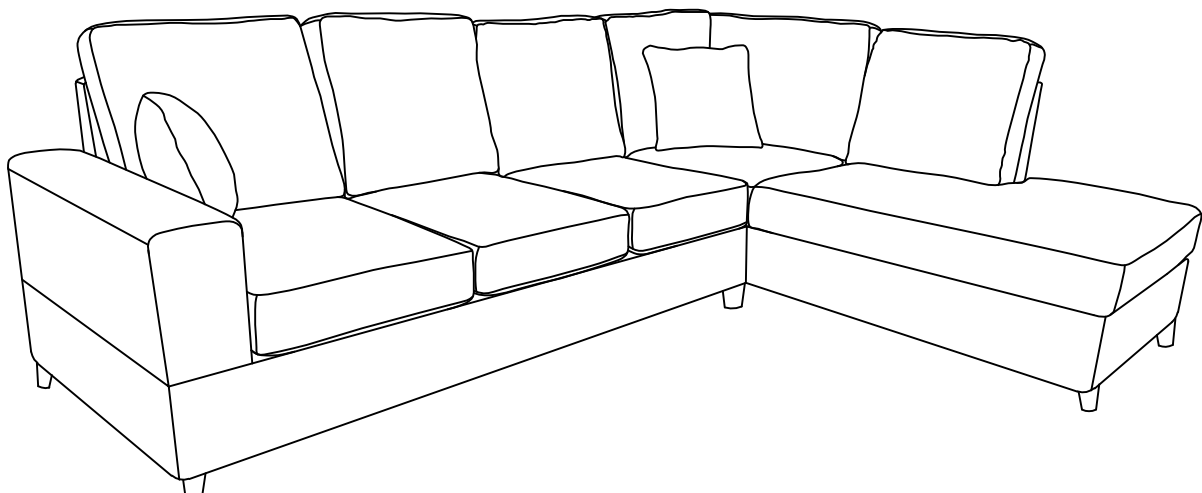
STEP 4



STEP 5

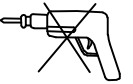


COMPLETE

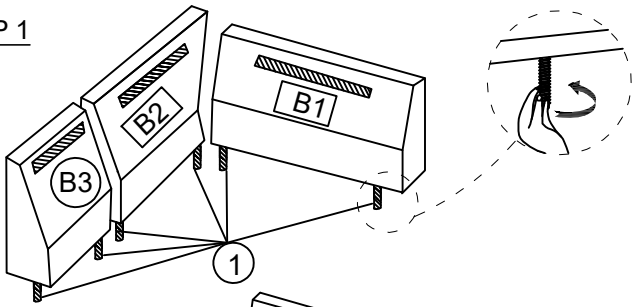


ASSEMBLY INSTRUCTIONS

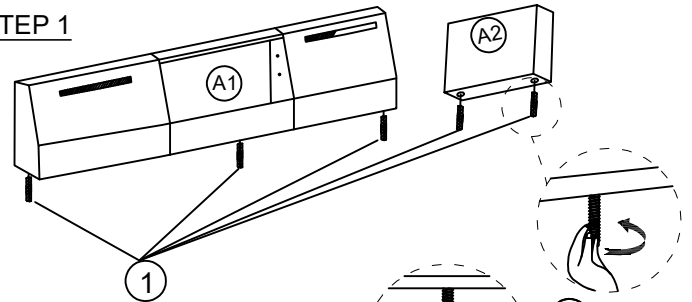
Assembly Tips: Do not use a power tool to assemble this product as it could damage the thread of the hardware and affect the solidity durability of the product.



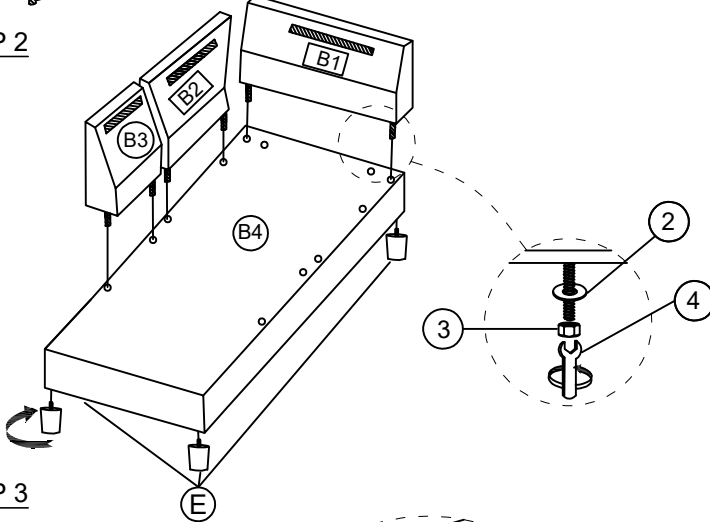
STEP 1



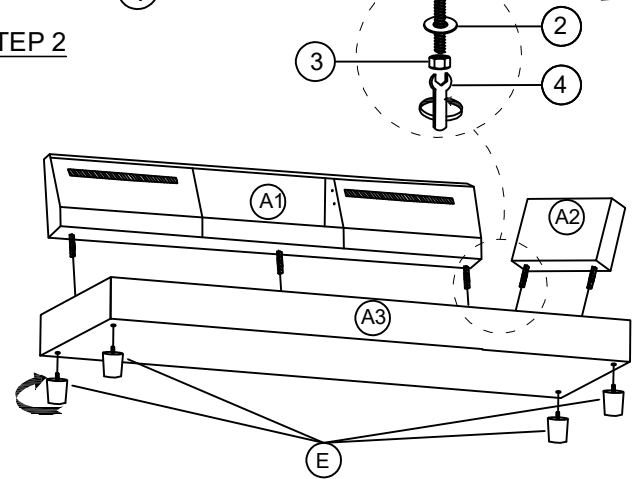
STEP 1



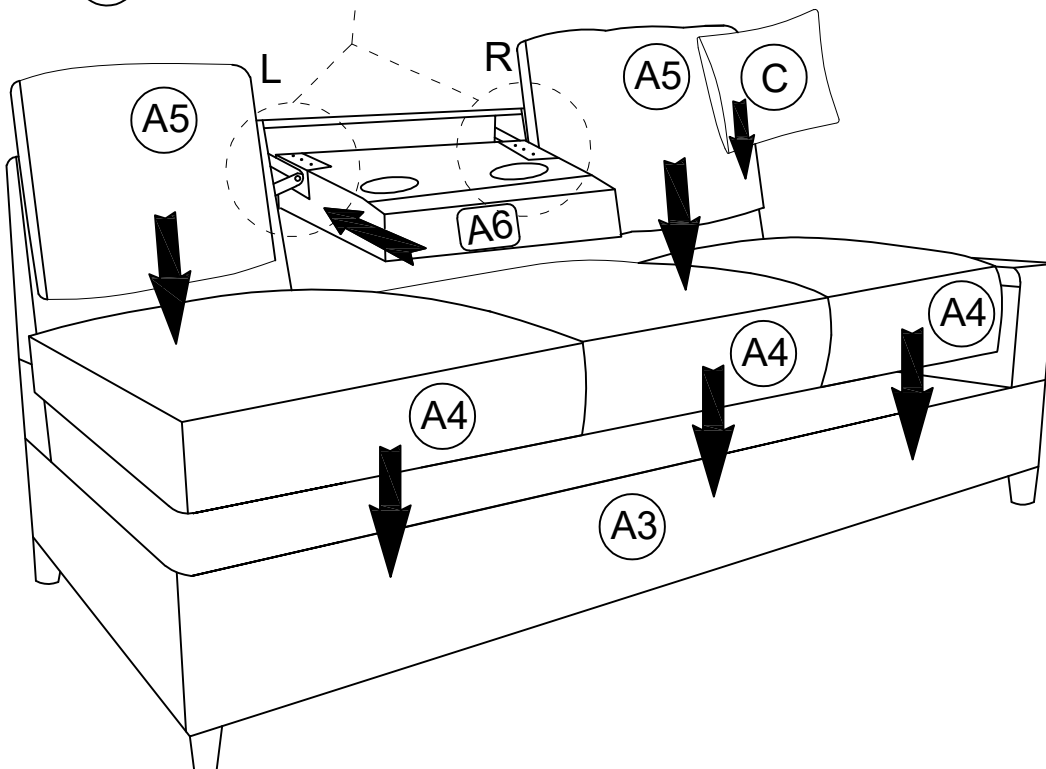
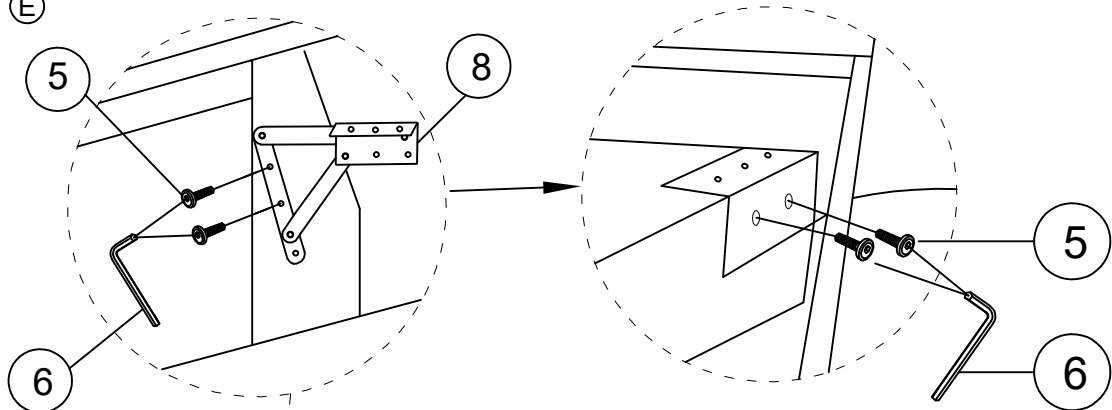
STEP 2



STEP 2



STEP 3

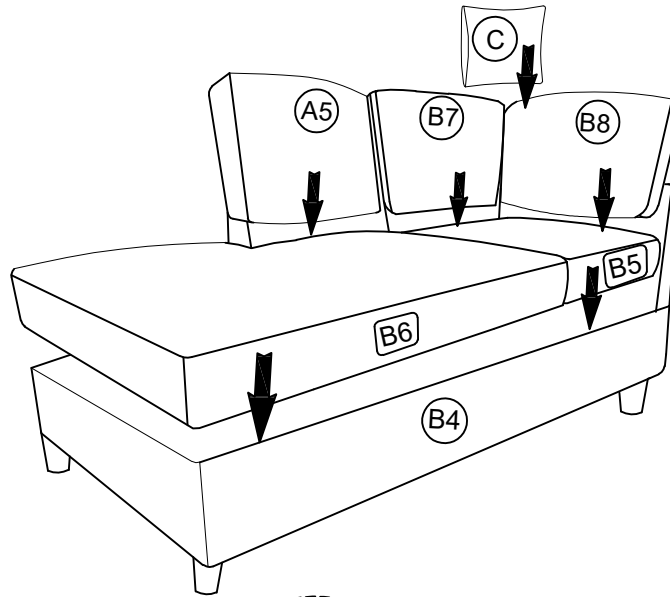


ASSEMBLY INSTRUCTIONS

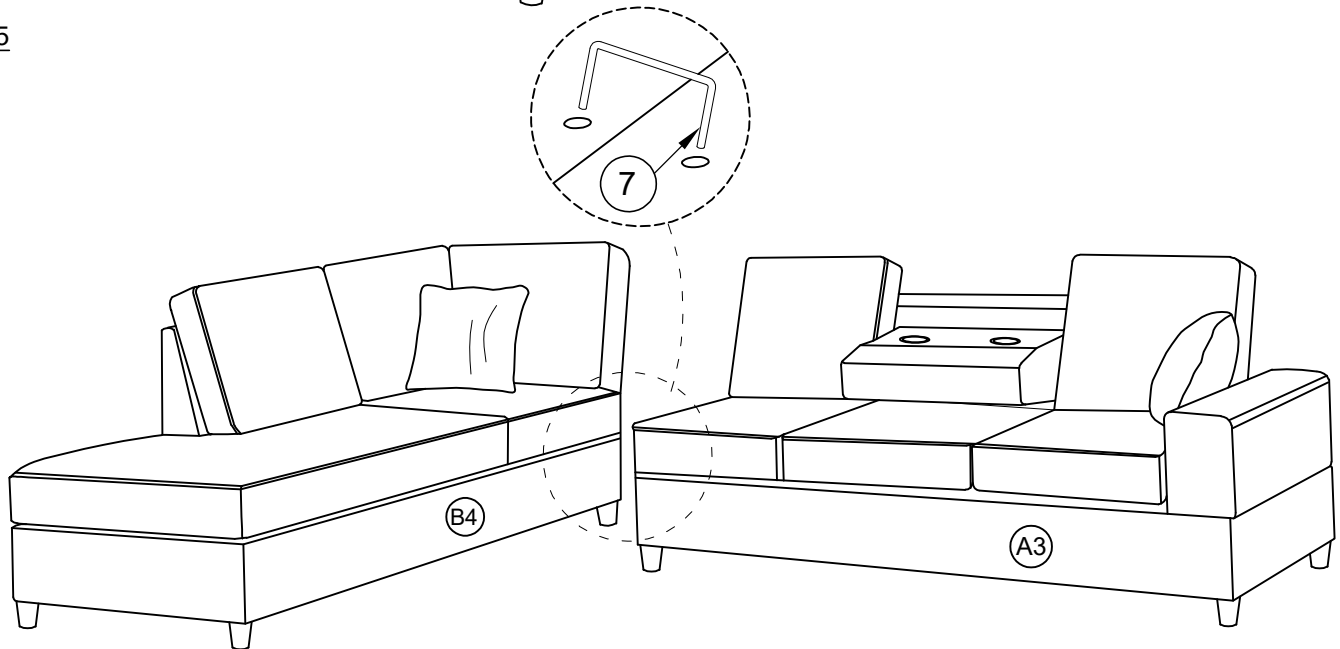
Assembly Tips: Do not use a power tool to assemble this product as it could damage the thread of the hardware and affect the solidity durability of the product.



STEP 4



STEP 5



COMPLETE

