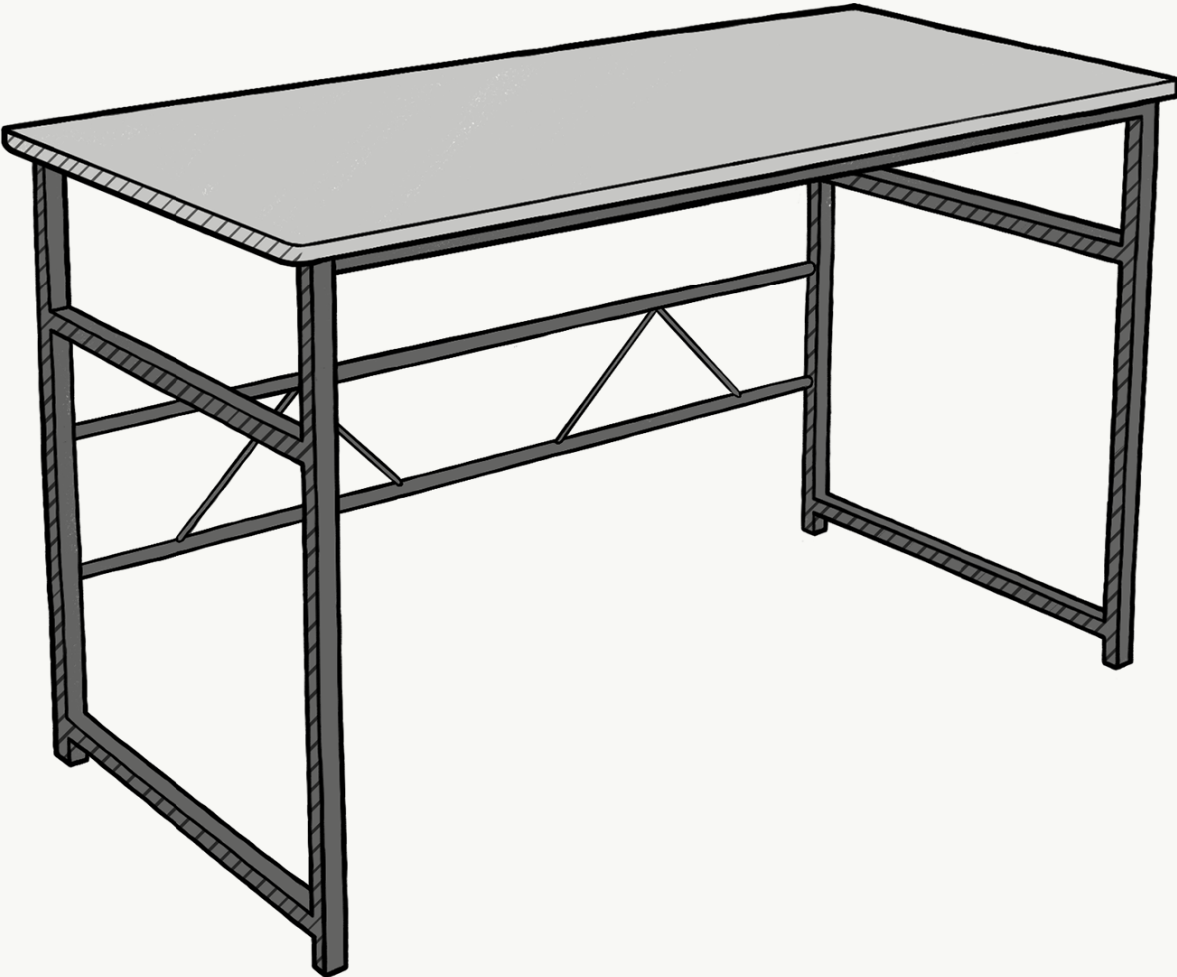
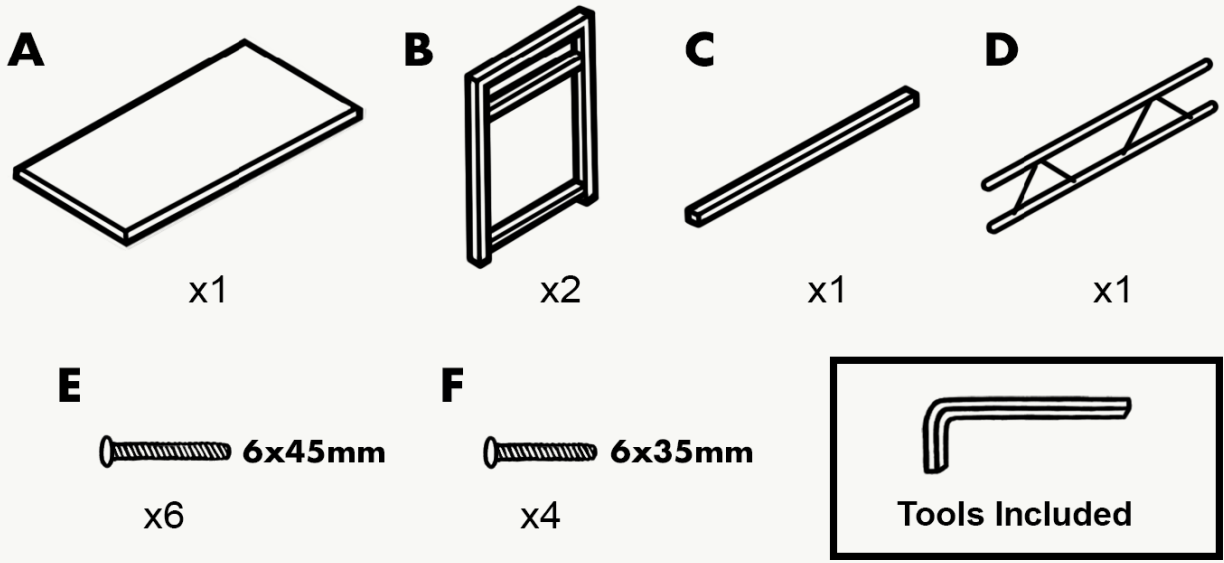


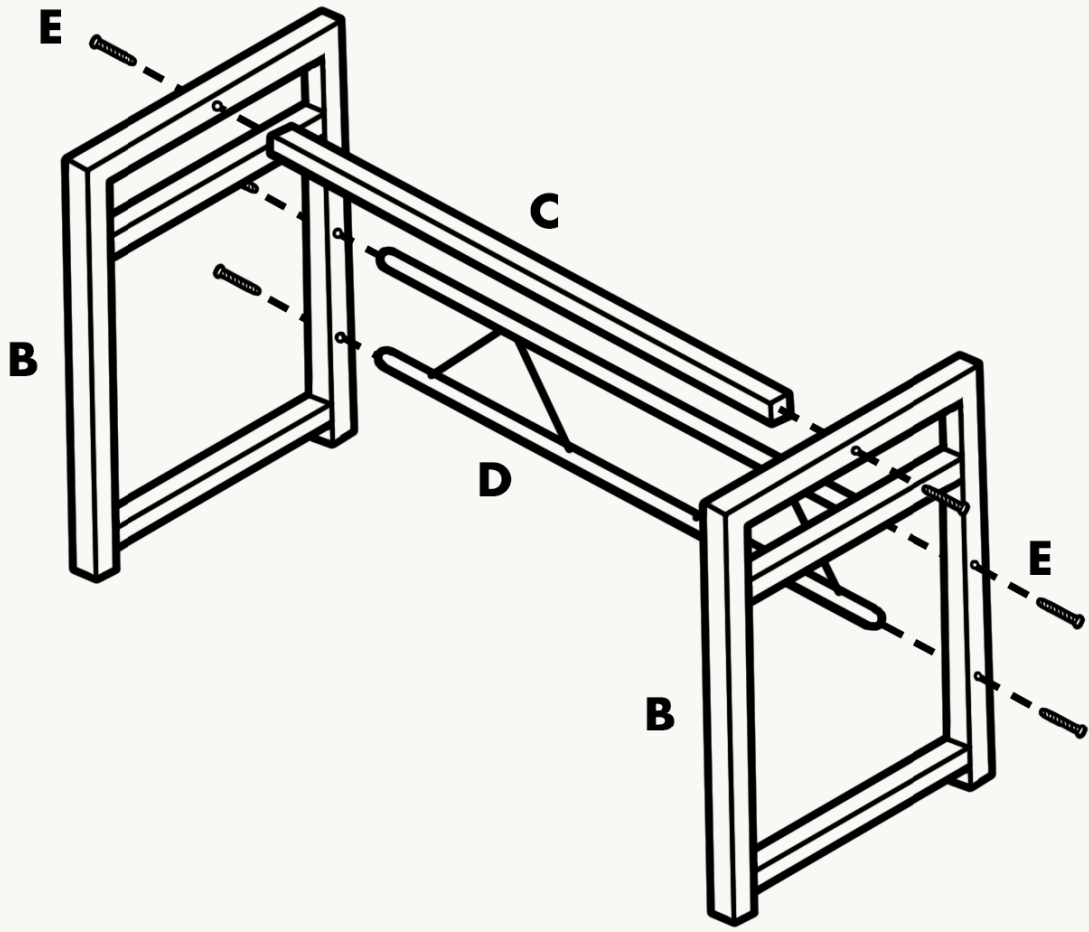
INSTRUCTION MANUAL



Instructions

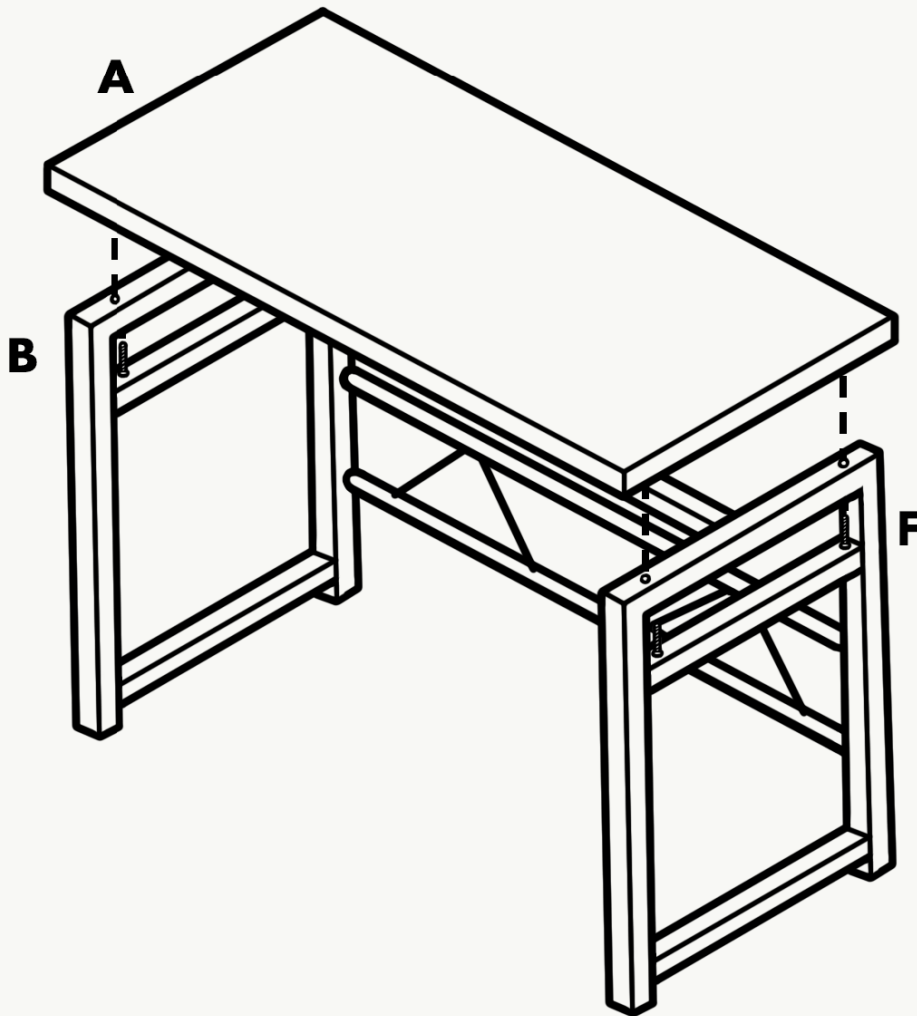


1 Screw the table legs (B) into back support (D) and tabletop support (C)



2

Screw tabletop (A) onto the top of table legs (B) from underneath



Dimensions ($\pm 3\text{cm}$)

Desktop width: 100cm

Desktop depth: 50cm

Table height: 72cm

Leg depth: 49cm

Under-leg height: 4cm