

**INSTRUCTION MANUAL ENCLOSED**

**ATTENTION**

**IF YOU HAVE ANY PROBLEMS OR QUESTIONS, PLEASE EMAIL OR CALL THE CUSTOMER SERVICE BEFORE YOU RETURN THIS PRODUCT TO THE STORE WHERE YOU PURCHASED FROM.**

For Customer Service:

USA: Email: [sirio@sirio-usa.com](mailto:sirio@sirio-usa.com) /Call: 1-877-897-1222

CANADA: Email: [support@sirio.ca](mailto:support@sirio.ca) /Call: 1-866-666-0421

**INSTRUCTION MANUAL ENCLOSED**


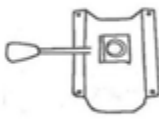



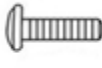

# OFFICE CHAIR

## OF002 OF006

### OFFICE CHAIR ASSEMBLY INSTRUCTION



Part	DESCRIPTION	Quantity
<b>PARTS LIST</b>		
<i>PARTS</i>		
A	Seat	1
B	Controller	1
C	Base	1
D	Caster	5
E	Gas Lift	1
<i>HARDWARE</i>		
F	Bolt M6 ×20mm	4
G	Allen Key	1

A	B	C	D	E	F	G
					 M6×20	
Seat 1PC	Controller 1PC	Base 1PC	Caster 5PCS	Gas Lift 1PC	Bolt 4PCS	Allen Key 1PC

#### For Customer Service:

Email: [sirio@sirio-usa.com](mailto:sirio@sirio-usa.com)

[support@sirio.ca](mailto:support@sirio.ca)

Call: 1-877-897-1222 / 1-866-666-0421

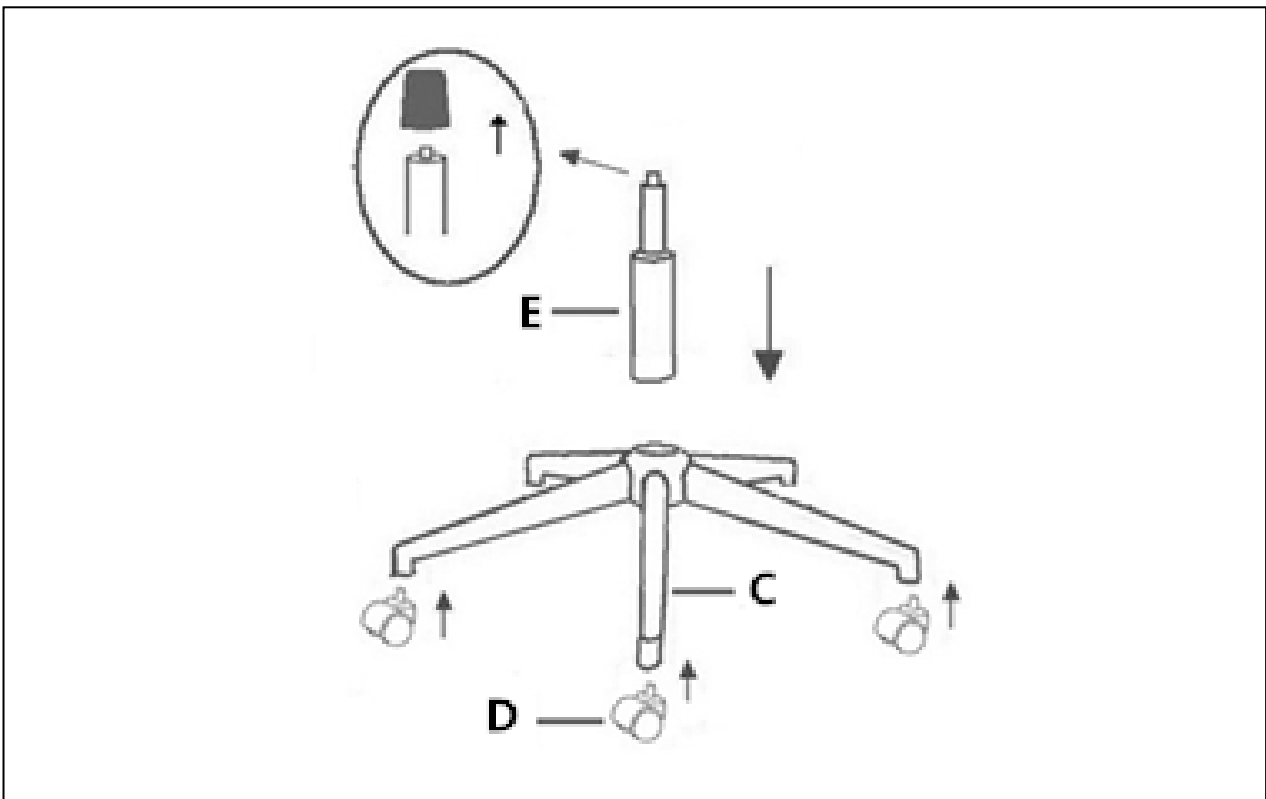
## PLEASE READ AND FOLLOW ALL SAFETY TIPS

### GETTING STARTED

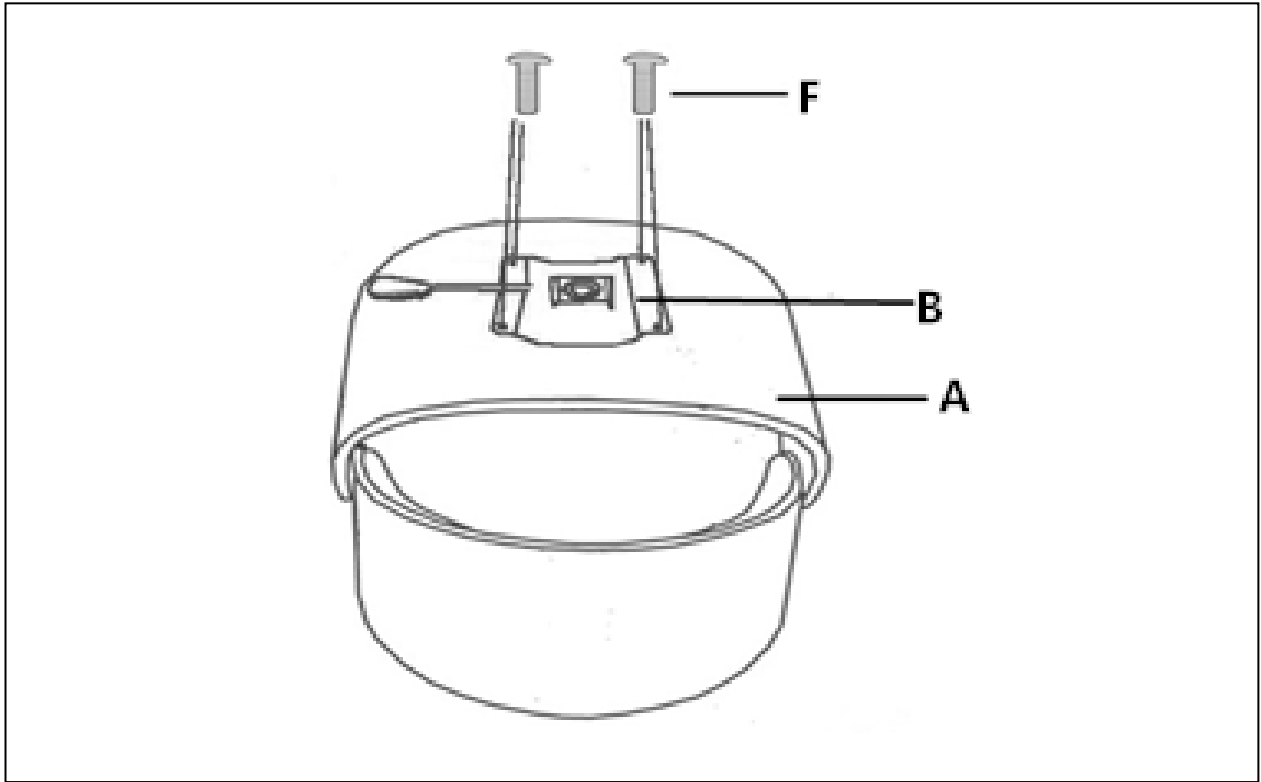
1. Before assembly, CAREFULLY use scissors or utility knife to cut and unwrap all parts. Make sure you do not discard the hardware.
2. Make sure that you have all the parts listed. If you are missing any parts, please email Customer Service: USA: [sirio@sirio-usa.com](mailto:sirio@sirio-usa.com) or call 1-877-897-1222. Canada: [support@sirio.ca](mailto:support@sirio.ca) or call 1-866-666-0421. Please write down the parts you need, model number, and your name and address as well.

\*\*\*Do not fasten the bolts before finishing all steps.

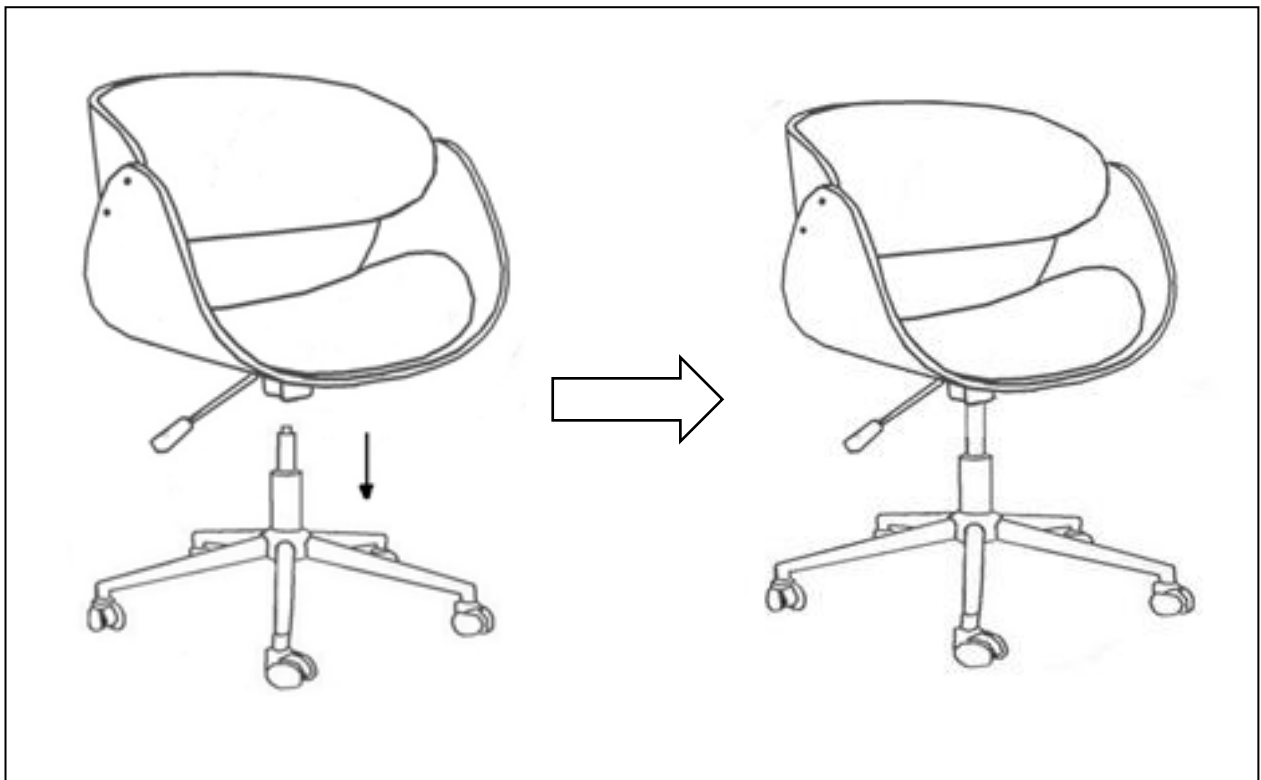
1. Place the Base (C) and the Gas Lift (E) in the position shown in Photo 1. Vertically press the Gas Lift (E) into the Base (C). Insert the Casters (D) into the Base (C). Please remember to remove the black cap on the top of the Gas Lift (E) before you take the next step. (Photo 1)



2. Install the Controller (B). Four Bolts (F) are needed in this step. Fasten all the Bolts (F) the Allen Key (G). (Photo 2)



3. Vertically press the upper half in the bottom half.



Till now you have finished the whole assembly.