

BECAUSE *JUST ADD WATER* IS PRETTY MUCH THE INSTRUCTIONS FOR A WONDERFUL LIFE.

Thank you for buying an American Standard faucet.

We're so grateful you did, and you will be too. Because faucets don't just bring us water—they're called upon to clean up brownie pans, luxuriated under by sleepy not-morning-people, and spit on by teeth-brushing kids. How do we know? Just like you, we've lived with that same beautiful chaos called life for almost 150 years. We believe that while every home should appreciate in value, we never forget the sentimental value that grows from enjoying life in the heart of home—your kitchen and bath. That's why we love your stories and ideas; they help us innovate with products that make your life easier.

Or, visit **americanstandard-us.com/kitchens/commercial-kitchen-faucets-category**

to watch video, view/download installation manuals
or learn more about your product.

Have a question or need help on install?

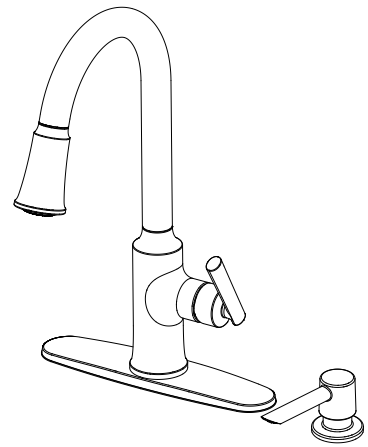
For questions or help on installation call us at **855-815-0004**.

M985123 SKU# 742130X EN (1/21)

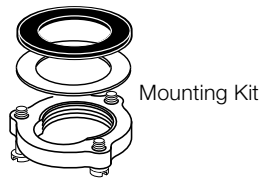
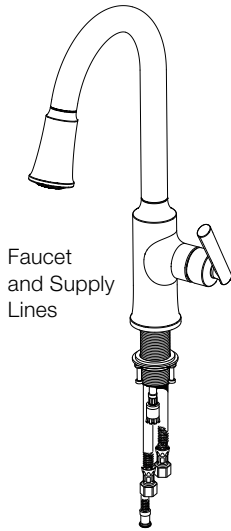
American Standard

OWNERS MANUAL

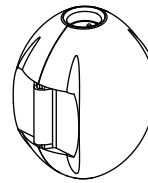
Raviv™ Pulldown Kitchen Faucet 7421300/7421301



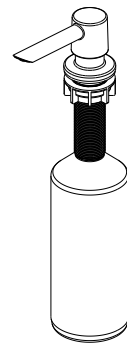
INSIDE THE BOX



Deck Plate
(only available for
SKU #7421300)



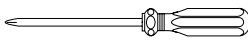
Weight



Soap Dispenser

RECOMMENDED TOOLS

Installation steps will indicate which tools should be used with associated letter



Phillips
Screwdriver

A



Channel
Locks

B



Adjustable
Wrench

C



BEFORE INSTALLING YOUR FAUCET

Turn off hot and cold water supplies before beginning.

Image shown may vary from product purchased.

American Standard

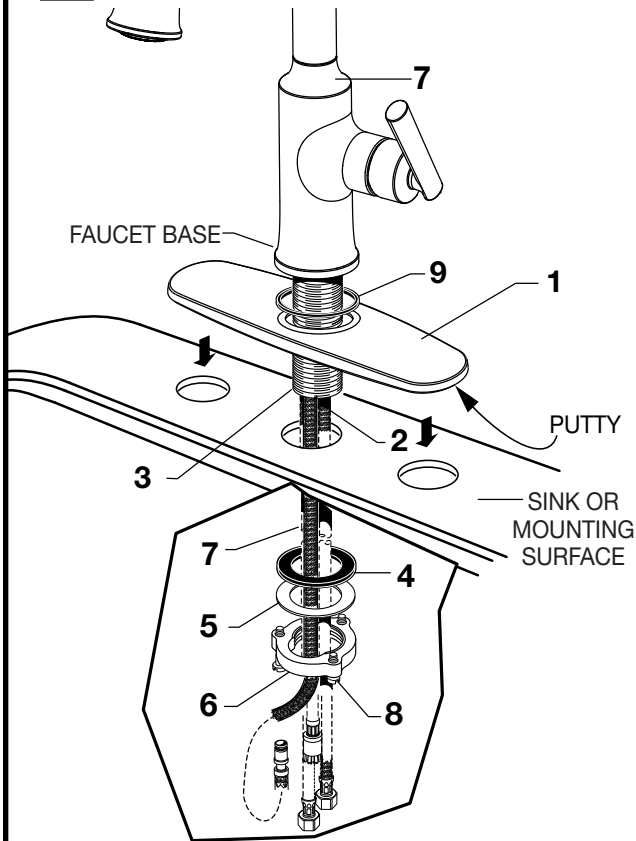
INSTALLATION INSTRUCTIONS

1

INSTALL WITH ESCUTCHEON



Turn off hot and cold water supplies before beginning.

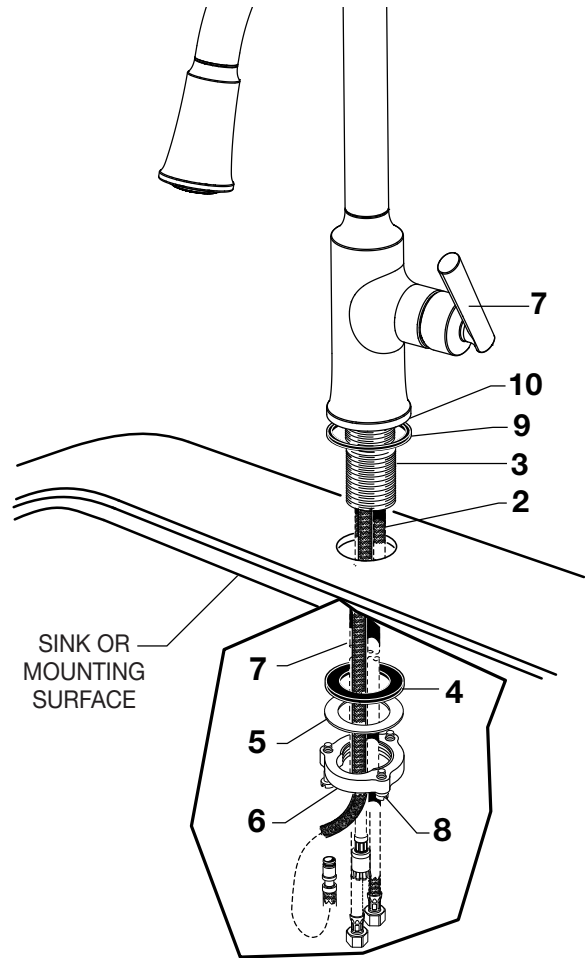


- Apply a bead of putty to bottom edge of ESCUTCHEON with PUTTY PLATE (1). Make certain the SEAL (9) is properly seated in recess of faucet body. Insert SUPPLY HOSES (2), SPRAY HOSE (7) and SHANK (3) through hole of ESCUTCHEON with PUTTY PLATE (1) and mounting surface. Follow mounting instructions below to secure faucet to mounting surface.
- Insert HOSES (2) through RUBBER WASHER (4), BRASS WASHER (5), and threaded LOCKNUT (6).
- Assemble RUBBER WASHER (4), BRASS WASHER (5), and threaded LOCKNUT (6) onto SHANK (3) from underside of sink or mounting surface. Hand tighten LOCKNUT (6).
- Use a screwdriver to tighten SCREWS (8) on LOCKNUT (6). Work your way around LOCKNUT (6), tightening the screws slightly each time until all are snug to ensure even pressure.

A

1A

INSTALL WITHOUT ESCUTCHEON



- Discard ESCUTCHEON with PUTTY PLATE (1). Make certain the SEAL (9) is properly seated in recess of RING BASE (10). Insert supply HOSES (2), SPRAY HOSE (7) and SHANK (3) through mounting hole and seat RING BASE (10) onto sink or mounting surface. Do not use putty.
- Insert HOSES (2) through RUBBER WASHER (4), BRASS WASHER (5), and threaded LOCKNUT (6).
- Assemble RUBBER WASHER (4), BRASS WASHER (5), and threaded LOCKNUT (6) onto SHANK (3) from underside of sink or mounting surface. Hand tighten LOCKNUT (6).
- Use a screwdriver to tighten SCREWS (8) on LOCKNUT (6). Work your way around LOCKNUT (6), tightening the screws slightly each time until all are snug to ensure even pressure.

A

American Standard

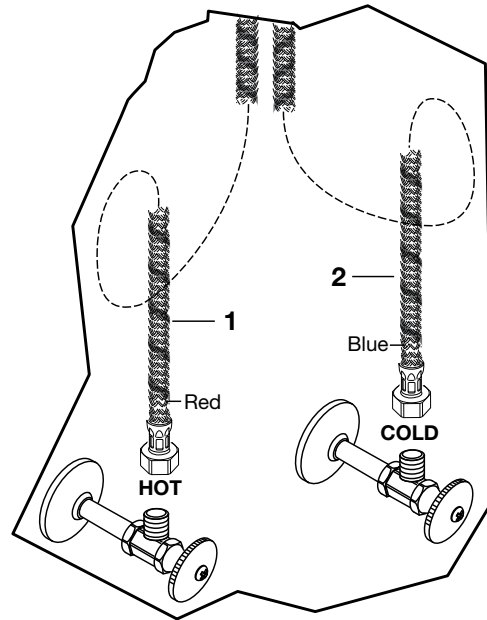
2

MAKE WATER SUPPLY CONNECTIONS



Turn off hot and cold water supplies before beginning.

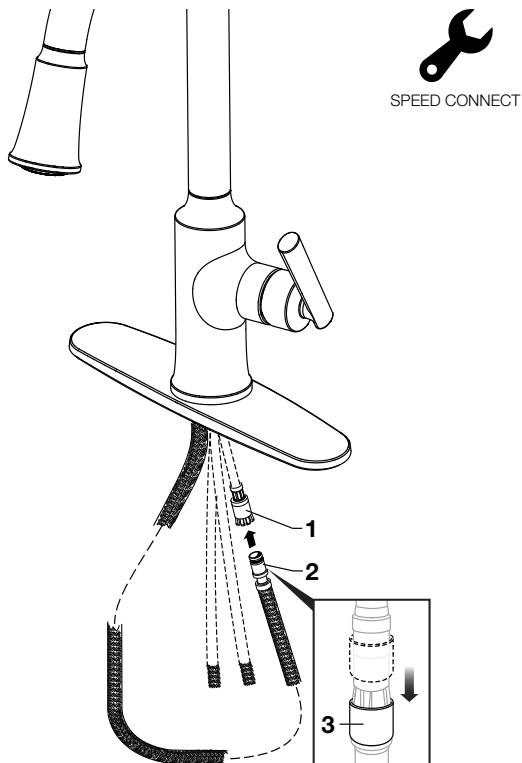
- Connect FLEXIBLE SUPPLY HOSES (1, 2) directly to wall supplies. Connection on fitting supplies are 3/8" compression. Connect the supply hose with the red label to the Hot wall supply. Connect the supply hose with the blue label to the Cold wall supply. Use an adjustable wrench to tighten connections. Do not over tighten.
- * Faucet supplies are 38" long from faucet base.
- **Note: If additional supply length is required, installer must purchase additional parts separately.**
- **Important: If SUPPLY HOSES (1, 2) are too long, loop as illustrated to avoid kinking.**



C

3

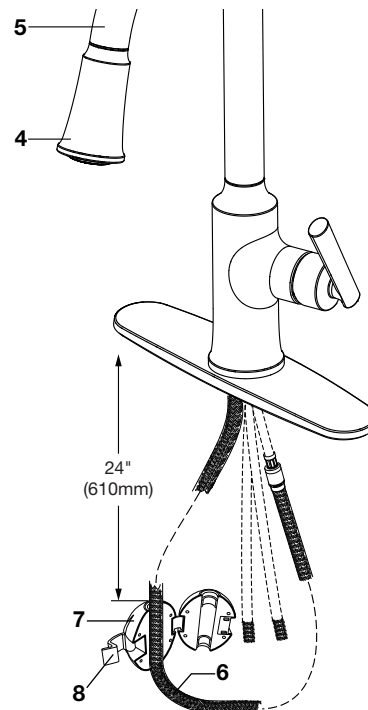
CONNECT SPRAY HOSE



- Push the SPRAY HOSE END (2) into the HOSE CONNECTOR (1) slide down LOCKING COLLAR (3) until it snaps into place to secure connection.

4

INSTALL WEIGHT



- With SPRAY HEAD (4) seated in SPOUT (5), install WEIGHT (7) onto HOSE (6) 24 inches from the underside of the sink deck and secure with LATCH (8).

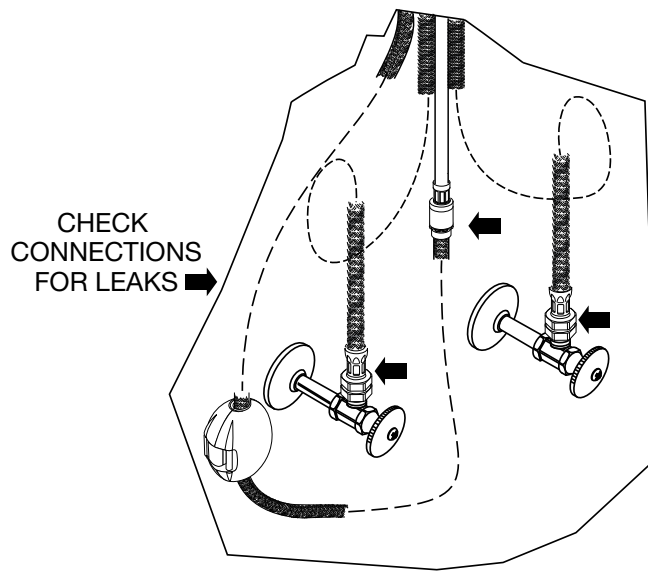
NOTE: there is a label on the hose indicating weight placement.

American Standard

5

CHECK CONNECTIONS FOR LEAKS

- Move HANDLE into “off” position.
- Turn on water supplies and check connections for leaks.
- Operate HANDLE up and down, left and right to flush lines thoroughly.
- Operate SPRAY HEAD and check connections for leaks.



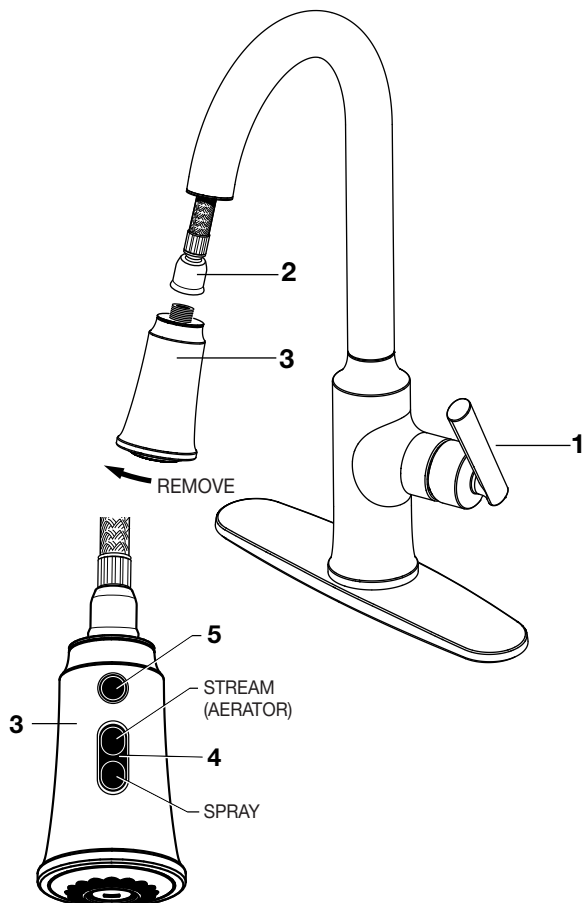
6

TEST INSTALLED FAUCET

- Move HANDLE (1) into “off” position.
- Turn on water supplies.
- With HANDLE (1) in “off” position, unthread SPRAY (3) from HOSE (2).
- Operate handle back to front, in COLD and HOT positions, to flush water lines thoroughly.
- Thread SPRAY HEAD (3) onto HOSE (2).

SPRAY OPERATION

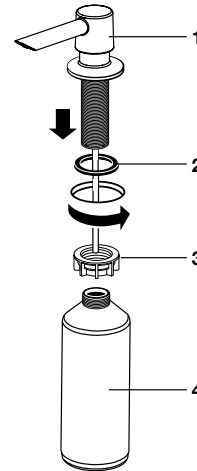
- With faucet on press TOGGLE BUTTON (4) on SPRAY (3) to switch from stream to spray.
- Press and hold PAUSE BUTTON (5) to temporarily stop flow from SPRAY (3). Release PAUSE BUTTON (5) to resume flow from SPRAY (3).



7

INSTALL SOAP DISPENSER

- Insert SOAP DISPENSER SHANK (1) through O-RING (2) and the deck.
- Thread MOUNTING NUT (3) on to SOAP DISPENSER SHANK (1) to secure it to the deck.
- Fill SOAP BOTTLE (4) and thread it on to SOAP DISPENSER SHANK (1).



8

SERVICE



Turn off hot and cold water supplies before beginning.

If faucet drips, operate HANDLE several times from “off” to “on.” Do not apply excessive force.

Clogged CARTRIDGE outlets or inlets may cause reduced flow.

- Remove INDEX BUTTON (1), loosen HANDLE SCREW (2) and remove HANDLE (3).
- Remove the HANDLE CAP (4). Unthread the PLASTIC NUT (5).
- Lift CARTRIDGE (6) off MANIFOLD (7).
- Clean MANIFOLD (7) and CARTRIDGE (6) ports.
- Place CARTRIDGE (6) onto MANIFOLD (7) and tighten MOUNTING SCREWS (5) alternately.
- Replace ESCUTCHEON CAP (4), HANDLE (3), tighten HANDLE SCREW (2) and install INDEX BUTTON (1).

Clogged AERATOR may cause reduced flow:

- Unthread the AERATOR (8) with a coin or flat head screwdriver and clean it of any debris.
- Allow water to run through the faucet with no aerator to flush the hoses.
- Reinstall AERATOR (8).



9

CARE INSTRUCTIONS

DO: SIMPLY RINSE THE PRODUCT CLEAN WITH CLEAR WATER. DRY WITH A SOFT COTTON FLANNEL CLOTH. **DO NOT:** DO NOT CLEAN THE PRODUCT WITH SOAPS, ACID, POLISH, ABRASIVES, HARSH CLEANERS, OR A CLOTH WITH A COARSE SURFACE.

WARRANTY

FAUCET LIMITED LIFETIME FUNCTION AND FINISH WARRANTY

FOR RESIDENTIAL INSTALLATIONS: AS America, Inc. ("American Standard®") warrants this product to be free from defects in materials or workmanship for as long as the original consumer purchaser owns this product. Proof of purchase (original sales receipt) from the original consumer purchaser must be made available to American Standard for all warranty claims. This warranty is non-transferable. It does not apply in the event of product damage due to the use of other than genuine American Standard replacement parts, installation error, abuse, misuse or improper care and maintenance (whether performed by a plumber, contractor, service provider or member of the purchaser's household). The warranty excludes damage due to aggressive air or water conditions, or harsh or abrasive cleaners and/or materials.

FOR COMMERCIAL INSTALLATIONS: For all industrial, commercial and business usage the warranty period is five years, from date of purchase and except for duration, all other aforementioned warranty terms apply. For both Residential and Commercial warranties, batteries are not included in the warranty.

FOR ELECTRONIC FAUCETS, VALVES AND CONTROLS: American Standard warrants its electronic faucets, valves and controls to be free from manufacturing defects in material and workmanship under normal use for five (5) years from the date of purchase by or for the original consumer owner. American Standard will provide free of charge, at its sole option, replacement part(s) or product (or if no longer available, a comparable product) to replace those which have proven defective in materials or workmanship.

This warranty does not cover labor charges incurred and/or damage sustained in installation, repair or replacement, nor incidental or consequential damages. This warranty is effective for all faucets sold after March 1, 2018.

THIS WARRANTY IS EXCLUSIVELY IN LIEU OF ALL OTHER WARRANTIES, INCLUDING ANY IMPLIED WARRANTIES OF MERCHANTABILITY OR FITNESS FOR A PARTICULAR PURPOSE.

This warranty gives the original consumer purchaser of an American Standard faucet specific legal rights which may vary from state to state or from province to province. In some states or provinces the exclusion or limitation of incidental or consequential damages is not allowed, so those exclusions may not apply to you.

UNITED STATES

American Standard Brands
1 Centennial Ave
Piscataway, New Jersey 08854
Attention: Director of Customer Care
For residents of the United States,
warrantyinformation may also be obtained
by calling the following toll free number:
(800) 442-1902
www.americanstandard.com

CANADA

LIXIL Canada, Inc.
5900 Avebury Rd.
Mississauga, Ontario
Canada L5R 3M3
Toll Free: (800) 387-0369
www.americanstandard.ca

MEXICO

American Standard B&K Mexico
S. de R.L. de C.V.
Via Morelos #330
Col. Santa Clara
Ecatepec 55540 Edo. Mexico
Toll Free: 01-800-839-1200
www.americanstandard.com.mx

PLEASE COMPLETE AMERICAN STANDARD WARRANTY REGISTRATION PROCESS AND SAVE THIS WARRANTY INFORMATION

IMPORTANT: Registration of the faucet must be completed for this warranty to become effective. Your registration will make it easier to contact you in the event of a product recall.*

INSTRUCTIONS: Register your faucet at www.americanstandard.com. Please save your proof of purchase (sale receipt).

If you need assistance or do not have access to our website, please contact American Standard Customer Care at: (800) 442-1902. An American Standard representative will assist in completing the warranty registration.

*In California, your warranty rights remain intact even if you do not complete the registration process.

THIS WARRANTY IS NOT TRANSFERABLE FROM ORIGINAL CONSUMER PURCHASER.

American Standard

TELL US WHAT YOU THINK!

★ Please leave us a product review or story at **americanstandard.com/reviews**



Happy I purchased this faucet

08/22/2019 00:04:41 CDT American Standard [Kitchen Faucets](#) [Xavier SelectFlo Pull-Down Kitchen Faucet](#)

I enjoy the SelectFlo pull-down kitchen faucet with three spray patterns. It's a great fit, finish and overall quality has been excellent.

Register your warranty and sign up for an idea-filled newsletter at **americanstandard.com/warranty**.

Find installation videos at **youtube.com/americanstandard**.



SHARE YOUR NEW PRODUCT!

Tag us **@american_standard** on Instagram and show us how your new product looks.

≡ WANT MORE INFO?

For questions or help call us at **855-815-0004**, or visit **americanstandard.com**