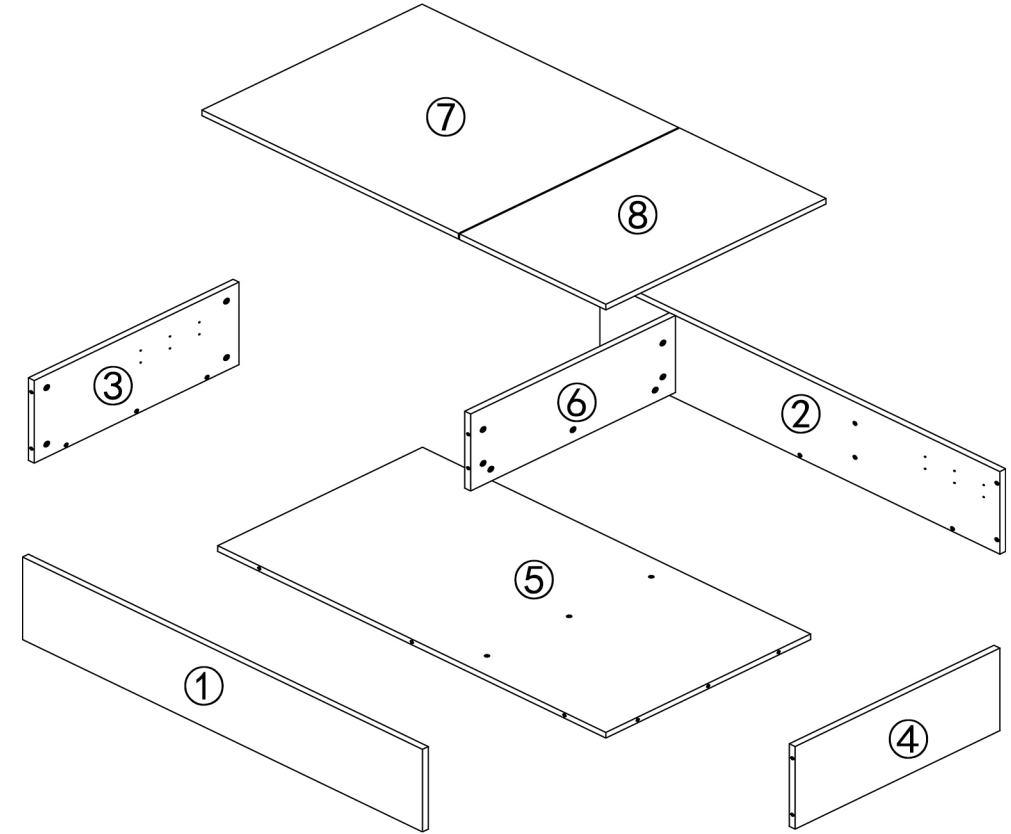
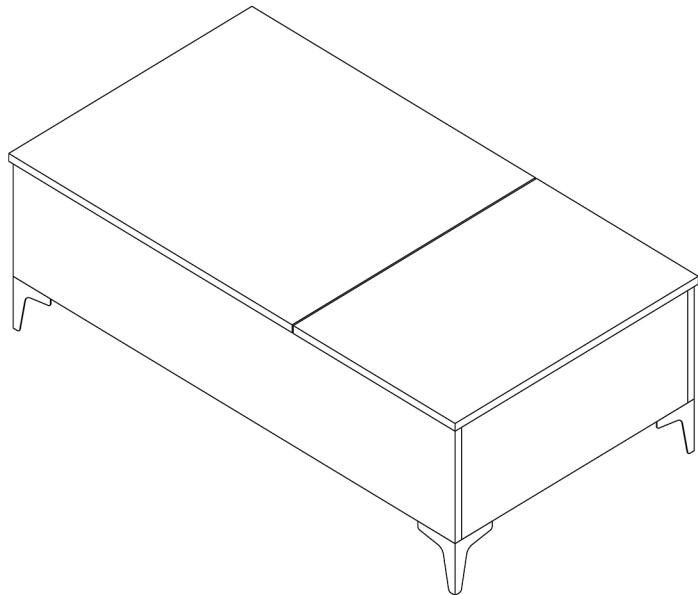







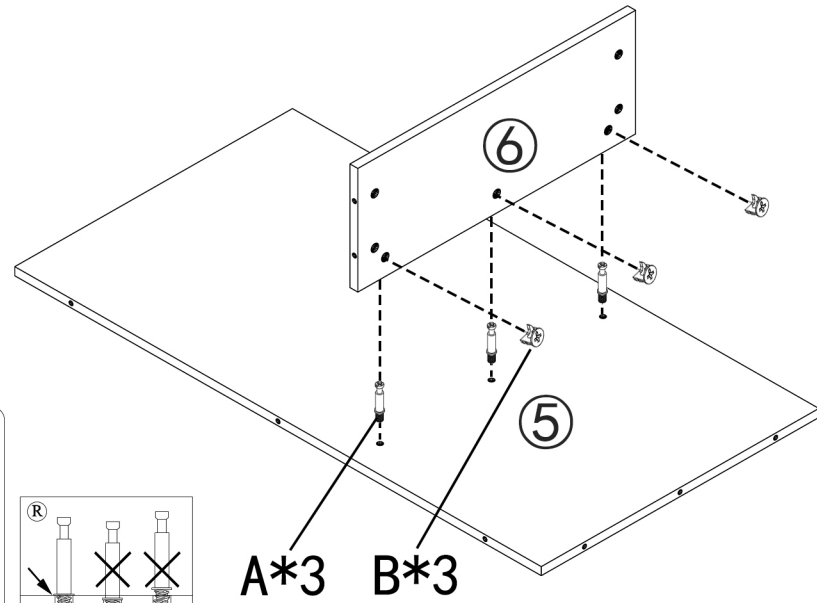
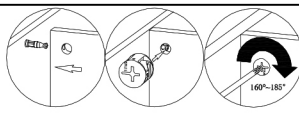
ASSEMBLY INSTRUCTION

- Please follow the instructions to assemble the items correctly.
- Please ensure the safety of the glass when assembling.
- Do not make the screws too loose or too tight.
- As shown in the figure, Insert the screw into the hole.
The arrow in the picture, Then rotate 90° or 180° clockwise.
- The accessory bag contains some small accessories, which should be kept away from children.
- The remaining parts are spare parts.



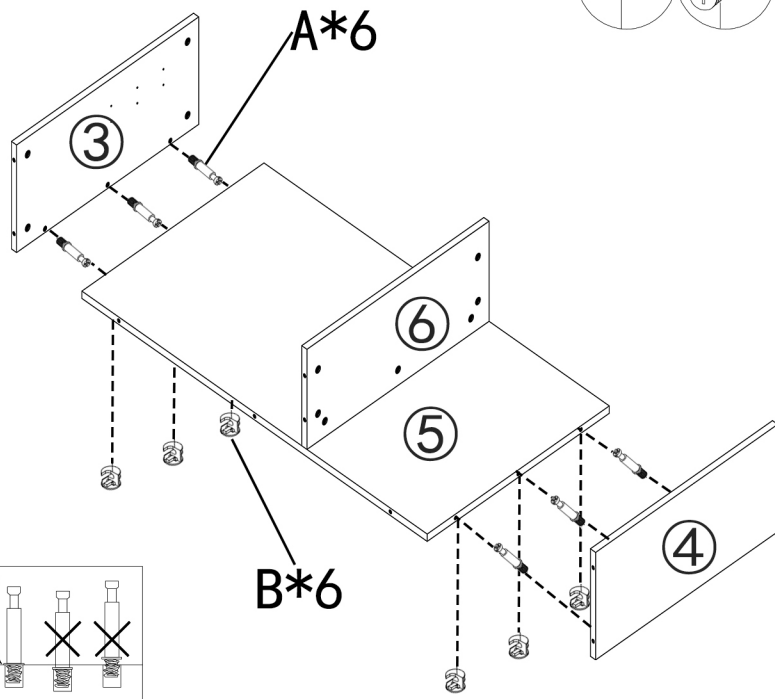
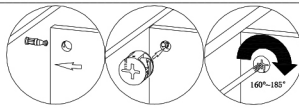
						
A*27	B*27	C*52	D*2	E*4		

STEP 1



A*3 B*3

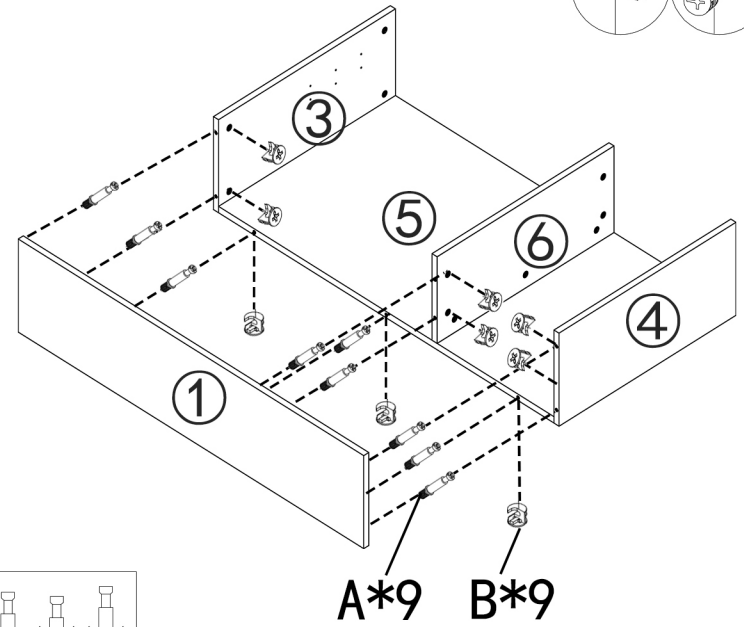
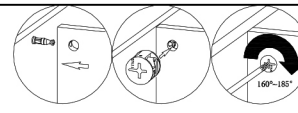
STEP 2



A*6

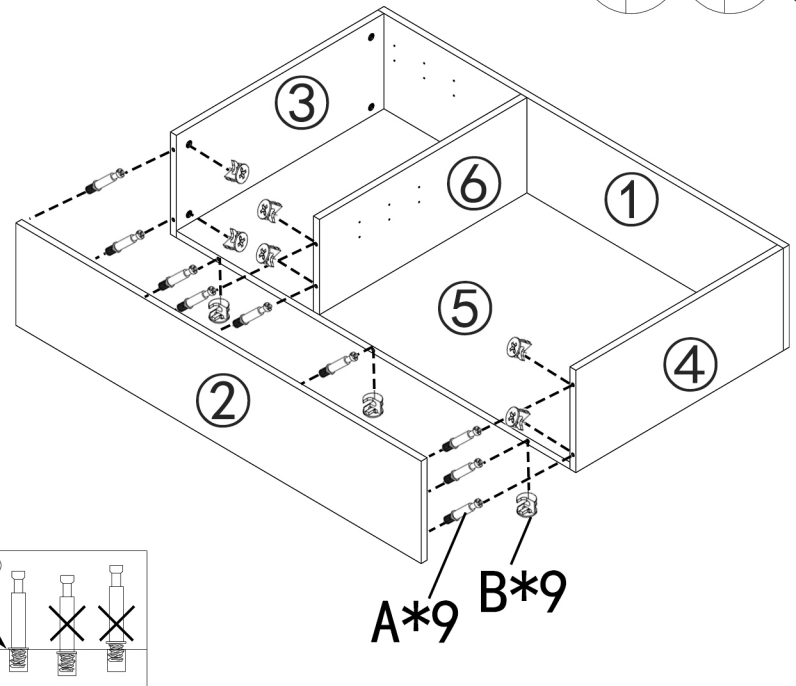
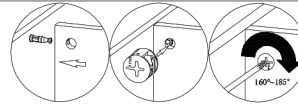
B*6

STEP 3



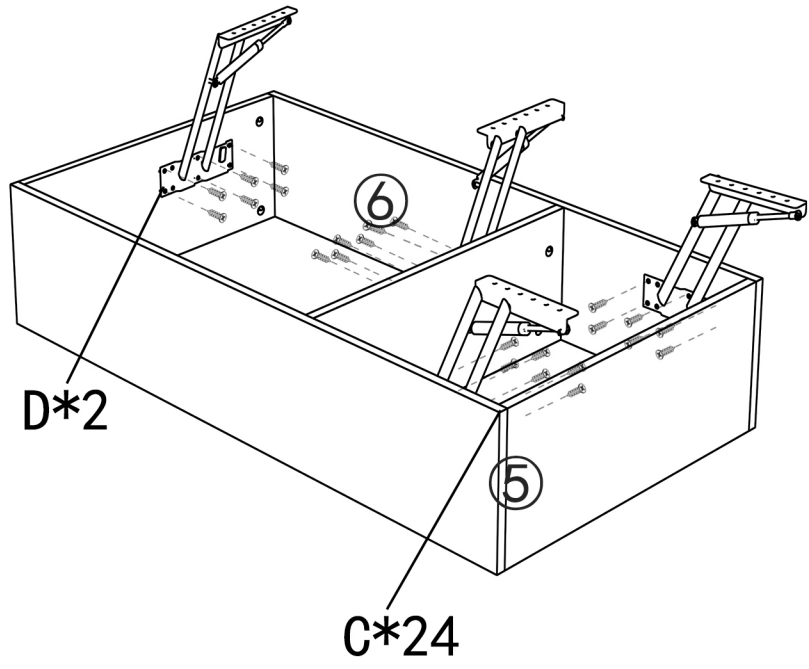
A*9 B*9

STEP 4

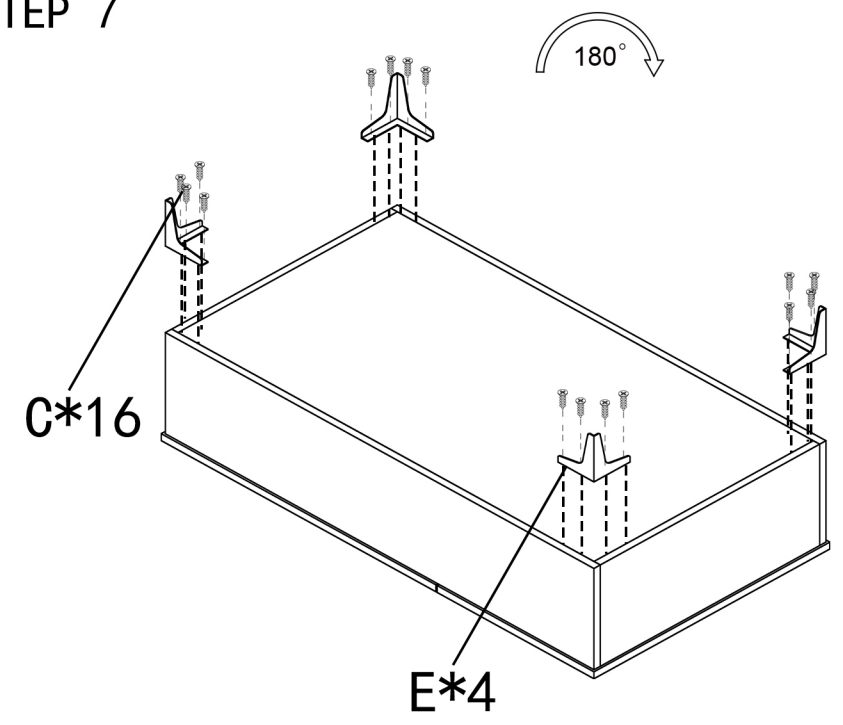


A*9 B*9

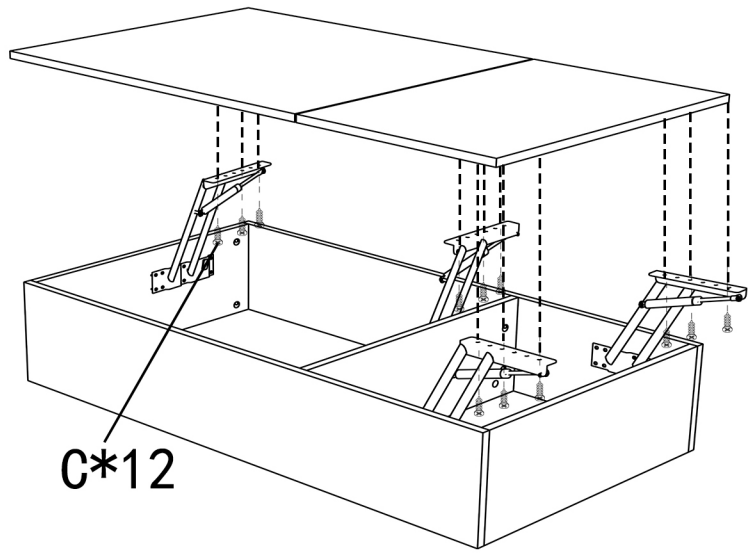
STEP 5



STEP 7



STEP 6



STEP 8

