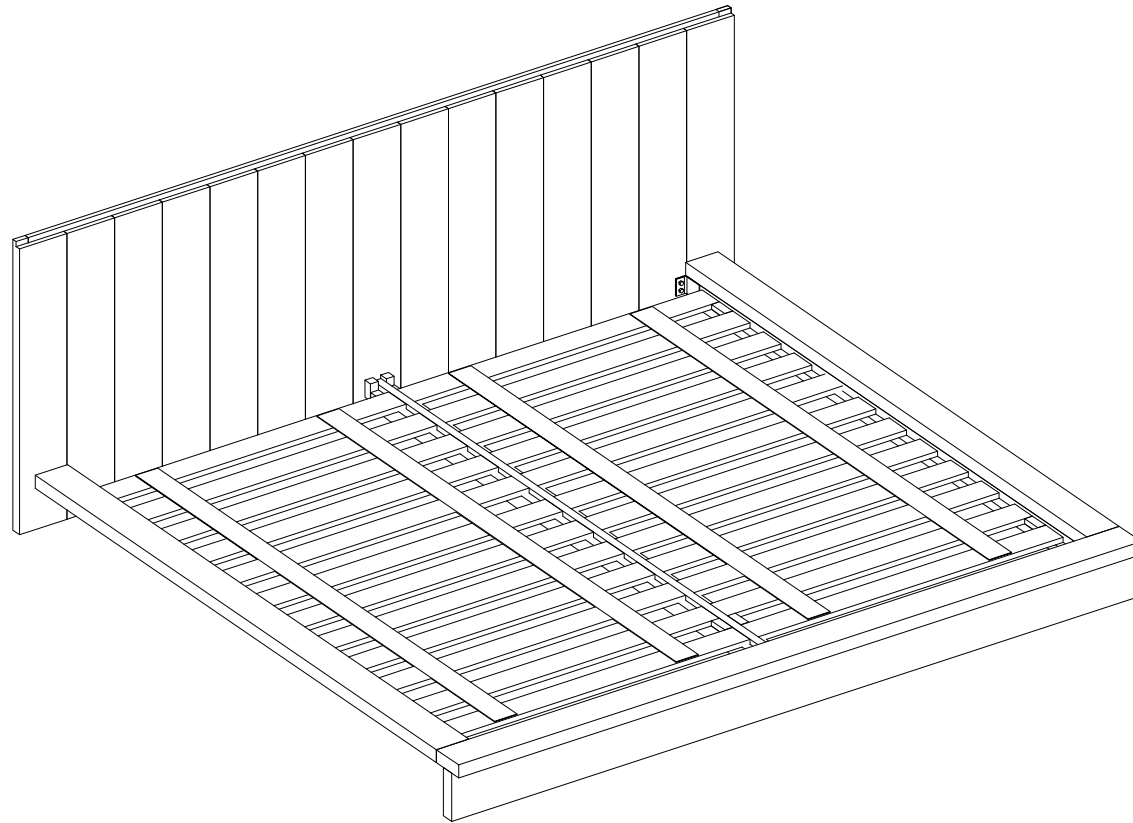


ASSEMBLY INSTRUCTIONS.

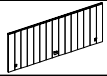




PLANK KING BED






THANK YOU FOR YOUR PURCHASE!

PARTS AND HARDWARE.

PART LIST

NO.	DESCRIPTION	IMAGE	QTY
P1.	Headboard		1
P2.	Footboard		1
P3.	Side Rail		2
P4.	Center Support		1
P5.	Slates Pannel		2

HARDWARE LIST

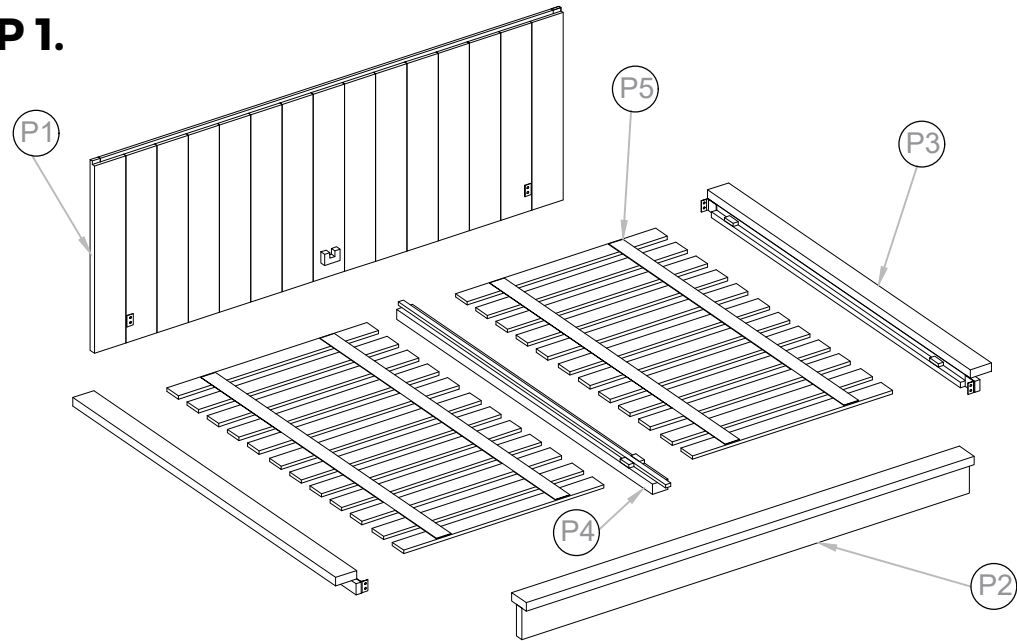
NO.	DESCRIPTION	IMAGE	QTY
H1.	Bolt -M10-25MM		4
H2.	Bolt -M12-18MM		2
H3.	Spanner		2

NOTES.

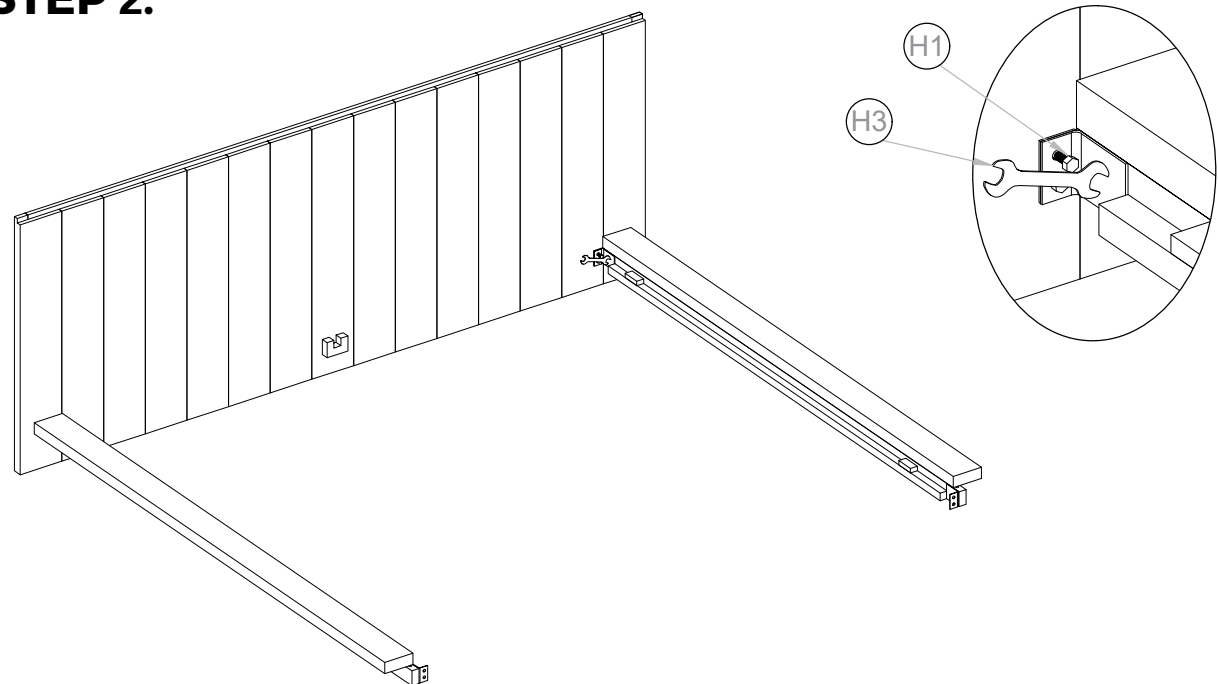
Thank you for purchasing this quality Product! Be sruе to check all packing material carefully for small part that may have come loose inside the carton during shipping.

CAUTION: The item is heavy, assembly should be performed by four people.

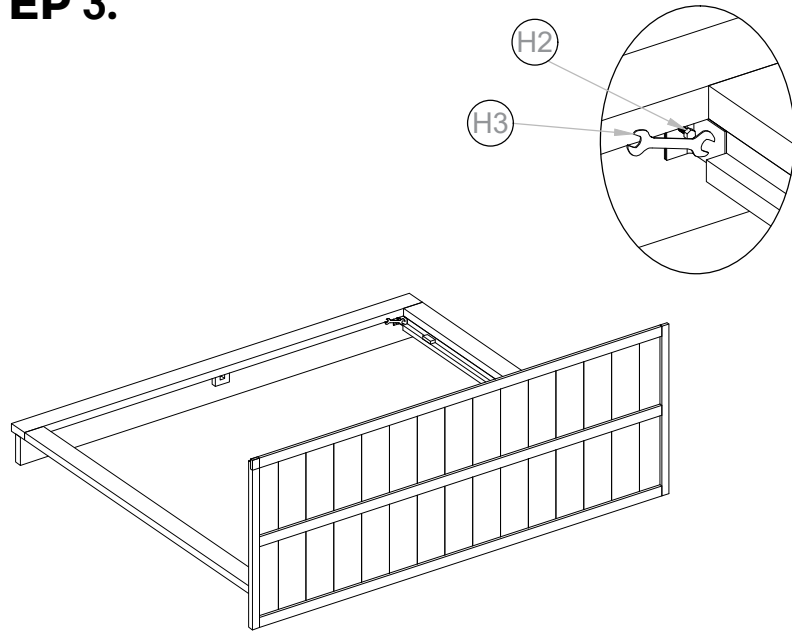
STEP 1.



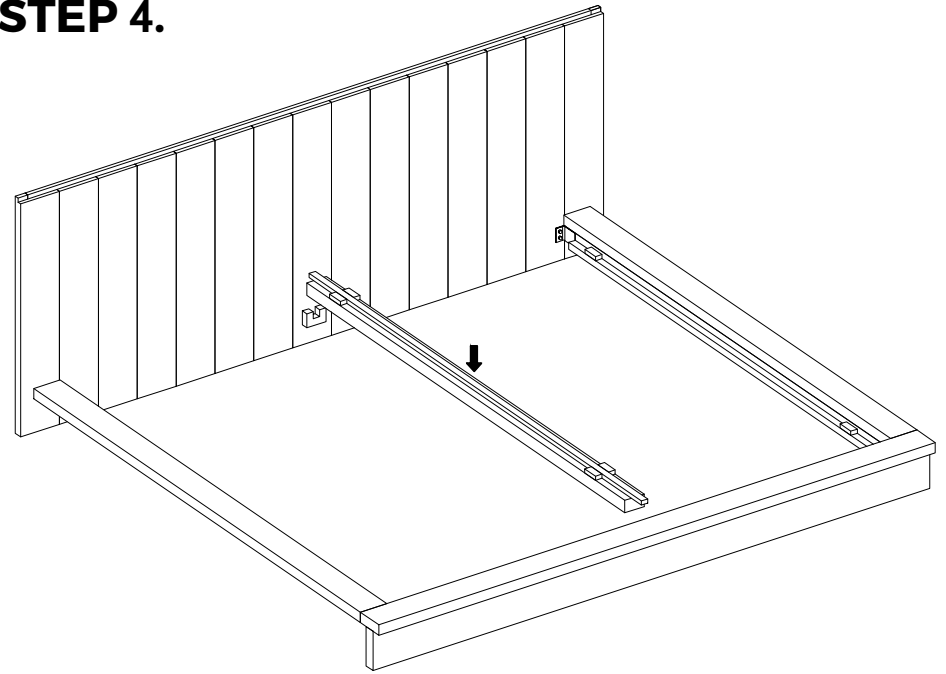
STEP 2.



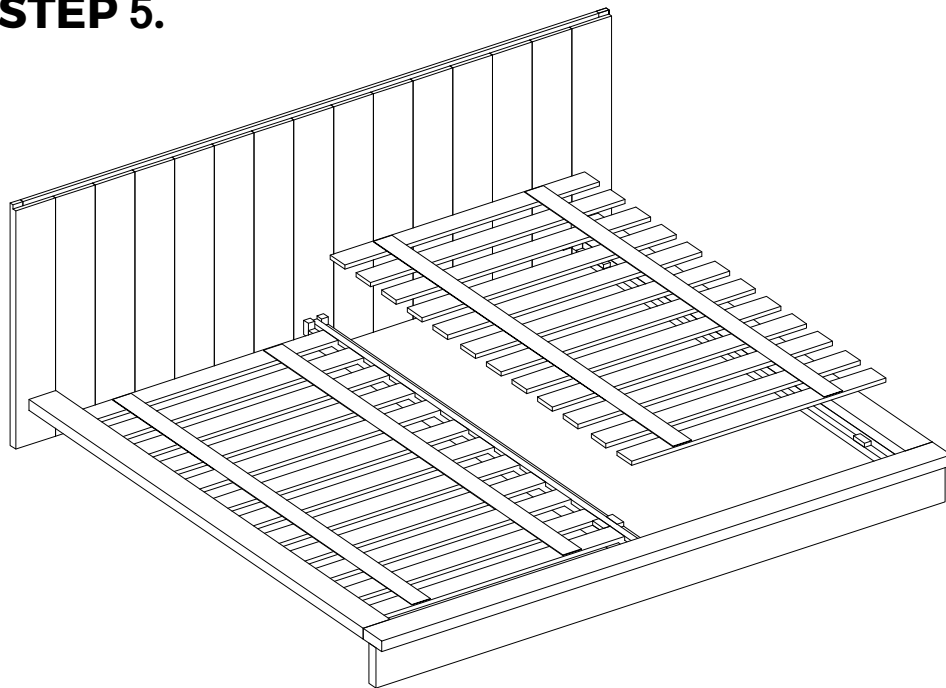
STEP 3.



STEP 4.



STEP 5.



STEP 6.

