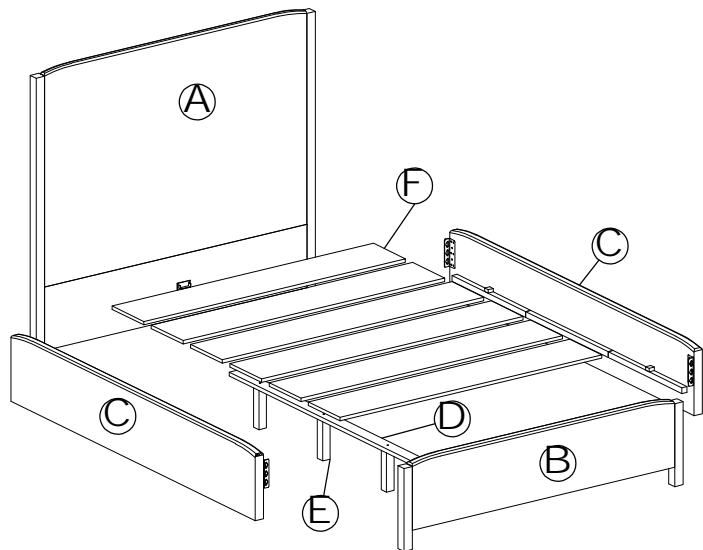


ASSEMBLY INSTRUCTIONS UPHOLSTERED BED



- PLEASE DO NOT DISCARD ANY OF THE PACKAGING UNTIL YOU HAVE CHECKED ALL THE PARTS AND THE PACKS OF HARDWARE.
- BEFORE YOU BEGIN TO ASSEMBLE YOUR NEW PIECE OF FURNITURE, PLEASE CHECK TO ENSURE THAT ALL PARTS HAVE BEEN SUPPLIED.
- FOLLOW INSTRUCTIONS CLOSELY AS DEVIATION FROM THEM MAY VOID YOUR WARRANTY AND PRESENT A POSSIBLE SAFETY RISK.
- IT IS RECOMMENDED THAT ASSEMBLY IS DONE ON A SOFT SURFACE LIKE CARPET TO AVOID ANY DAMAGE.
- PERIODICALLY CHECK AND RE-TIGHTEN ANY FASTENERS. WIPE DOWN ALL SURFACES WEEKLY WITH A CLEAN CLOTH. DO NOT CLEAN ANY SURFACES WITH HARSH ABRASIVES OR CHEMICALS.

Parts Check List

Code	Components	Qty
(A)	HEADBOARD	x01
(B)	FOOT BOARD	x01
(C)	SIDE RAIL	x02
(D)	CENTER SUPPORT	x01
(E)	CENTER LEG	x03
(F)	SLAT	x01

Hardware Check List

Code	Description	Image	qty
01	Bol t		x12
02	Spring washer		x12
03	Flat washer		x12
04	Screw		x24
05	All en key		x01

Phil I p s head screwdriver tool needed
(Not included)

