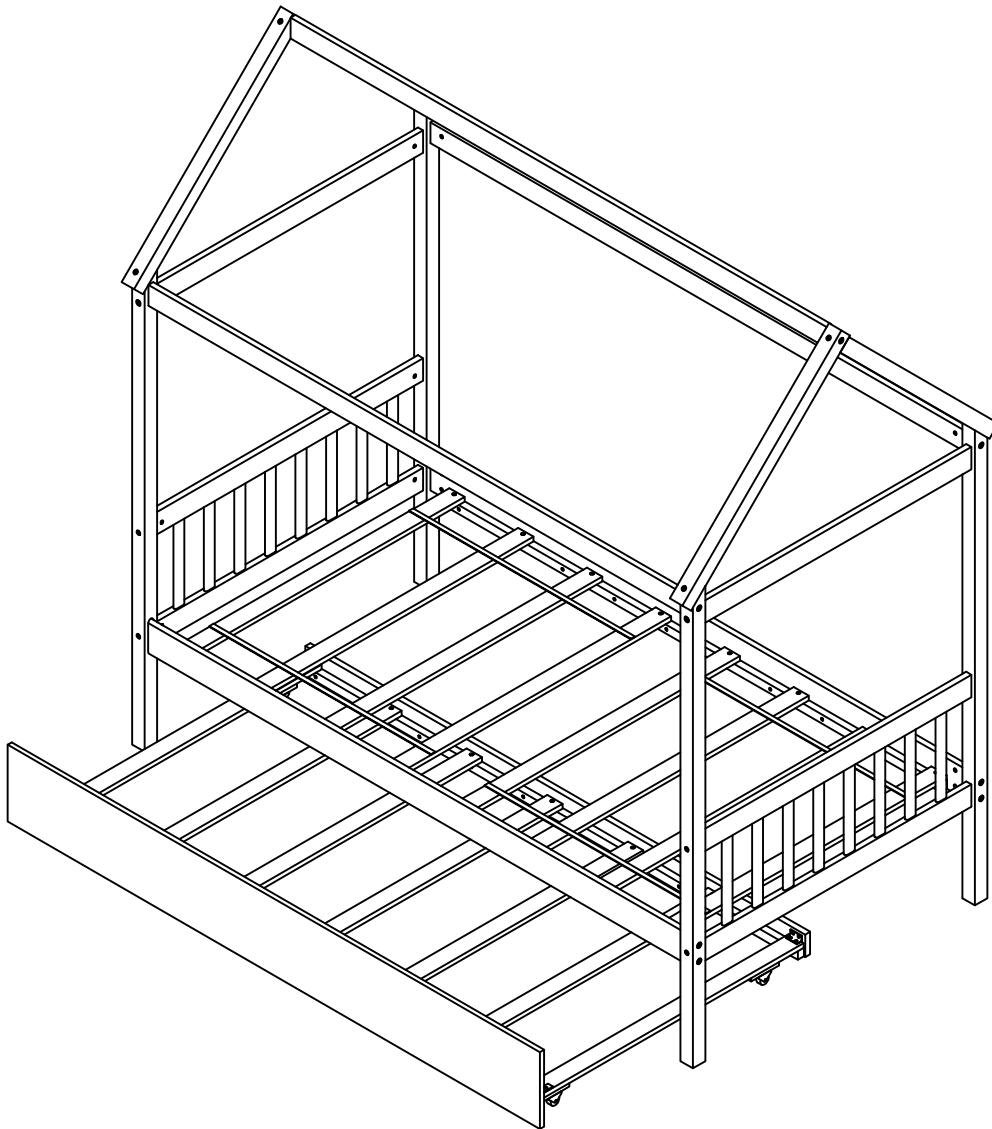


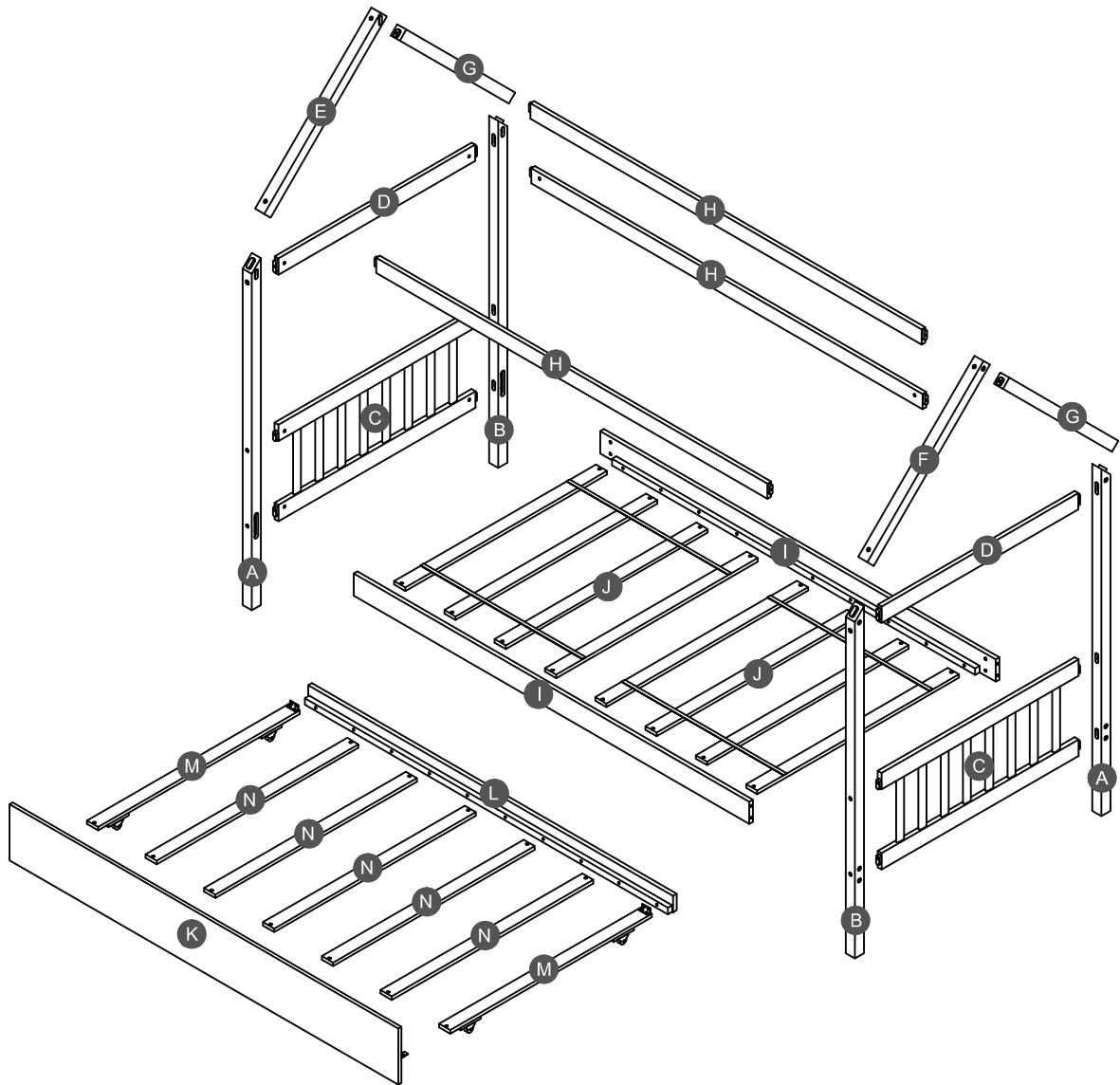
ASSEMBLY INSTRUCTIONS

HOUSE TWIN BED WITH TRUNDLE



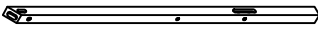
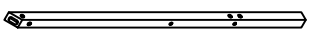
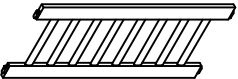
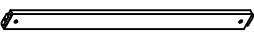
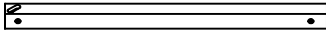
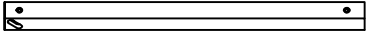
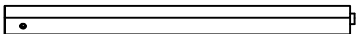


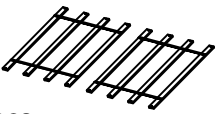
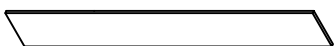

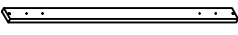
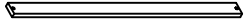
YX5513
(W69740991-W69740992)

Detail View

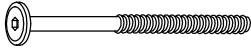
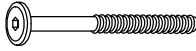




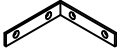
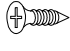
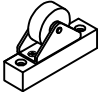
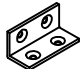


Part List

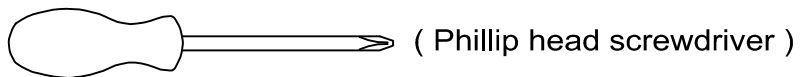
Hardware List YX5513

A  Leg Left Front / Right Back-2pcs	B  Leg Left Back / Right Front-2pcs	C  HB & FB-2pcs
D  Horizontal bar - 2pcs	E  Upper (Left Front) - 1pc	F  Upper (Right Front) - 1pc
G  Upper (Back) - 2pcs	H  Upper horizontal - 3pcs	I  Side rail - 2pcs
J  Slats - 8pcs	K  Trundle front panel - 1pc	L  Trundle back panel - 1pc
M  Trundle slats - 2pcs	N  Slats - 5pcs	

Hardware List

1  (Ø15)1/4"*100mm Hex-Head bolts (14pcs)	2  (Ø15)1/4"*80mm Hex-Head bolts (12pcs)	3  1/4"*15 (9.5mm) Horizontal-Hole bolts(26pcs)
4  (Ø12)1/4"*65mm Hex-Head bolts (6pcs)	5  (1/4")4.5*58mm Allen key (1pc)	6  Ø4*30mm Wood screws (38pcs)
7  95*95*18*3mm Metal bracket (2pcs)	8  Ø3.5*15mm Wood screws (16pcs)	9  100*63*20mm Wheels (4pcs)
10  40*18*18*2mm Metal bracket (2pcs)		

ASSEMBLY TOOLS REQUIRED (NOT INCLUDED)



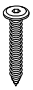


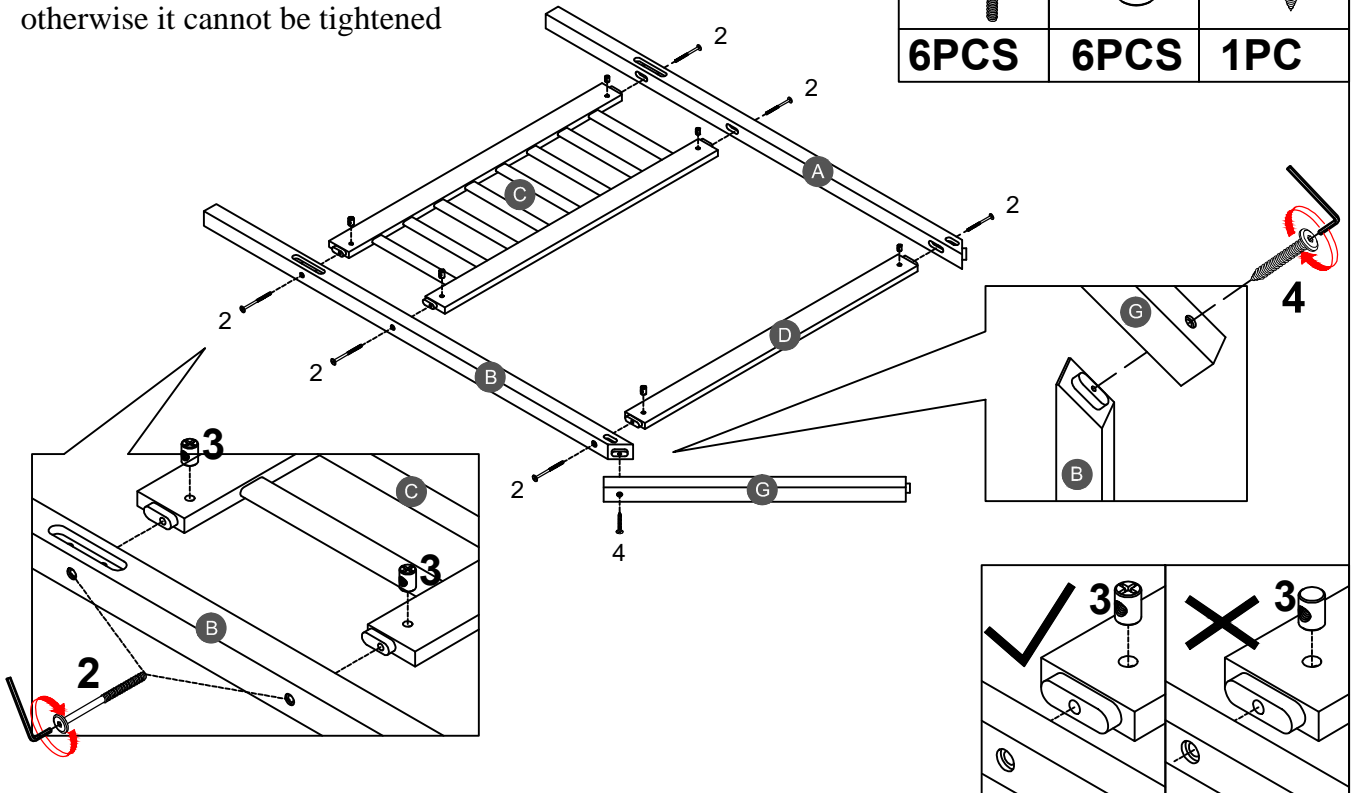
DO NOT USE POWER TOOLS TO ASSEMBLE THIS PRODUCT !

Remark: We recommend you assemble your bed in the flat ground.

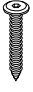
STEP 1:

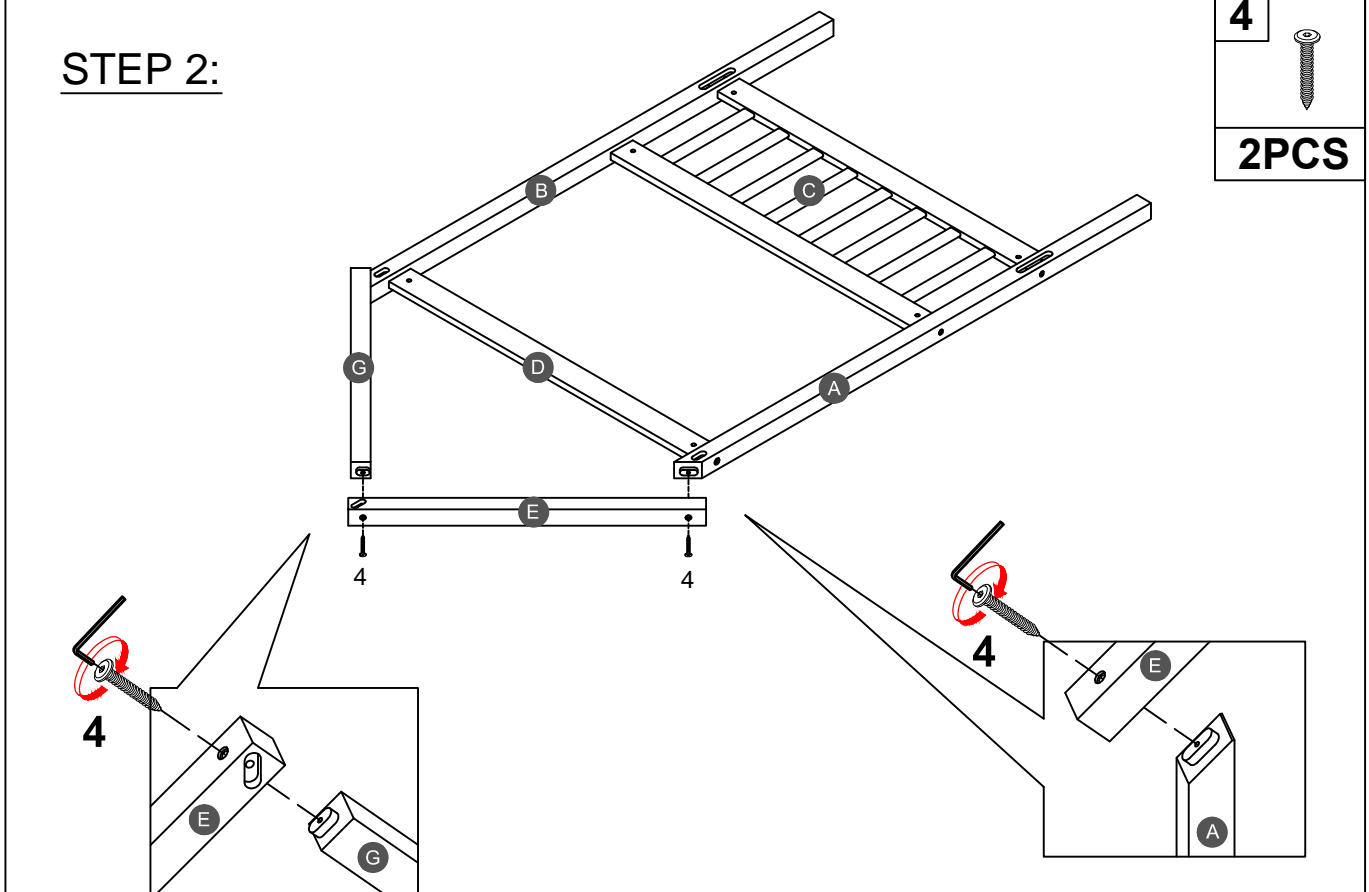
Note: Part 3 will face up with the "x" mark on it, otherwise it cannot be tightened

2		3		4	
6PCS		6PCS		1PC	






STEP 2:

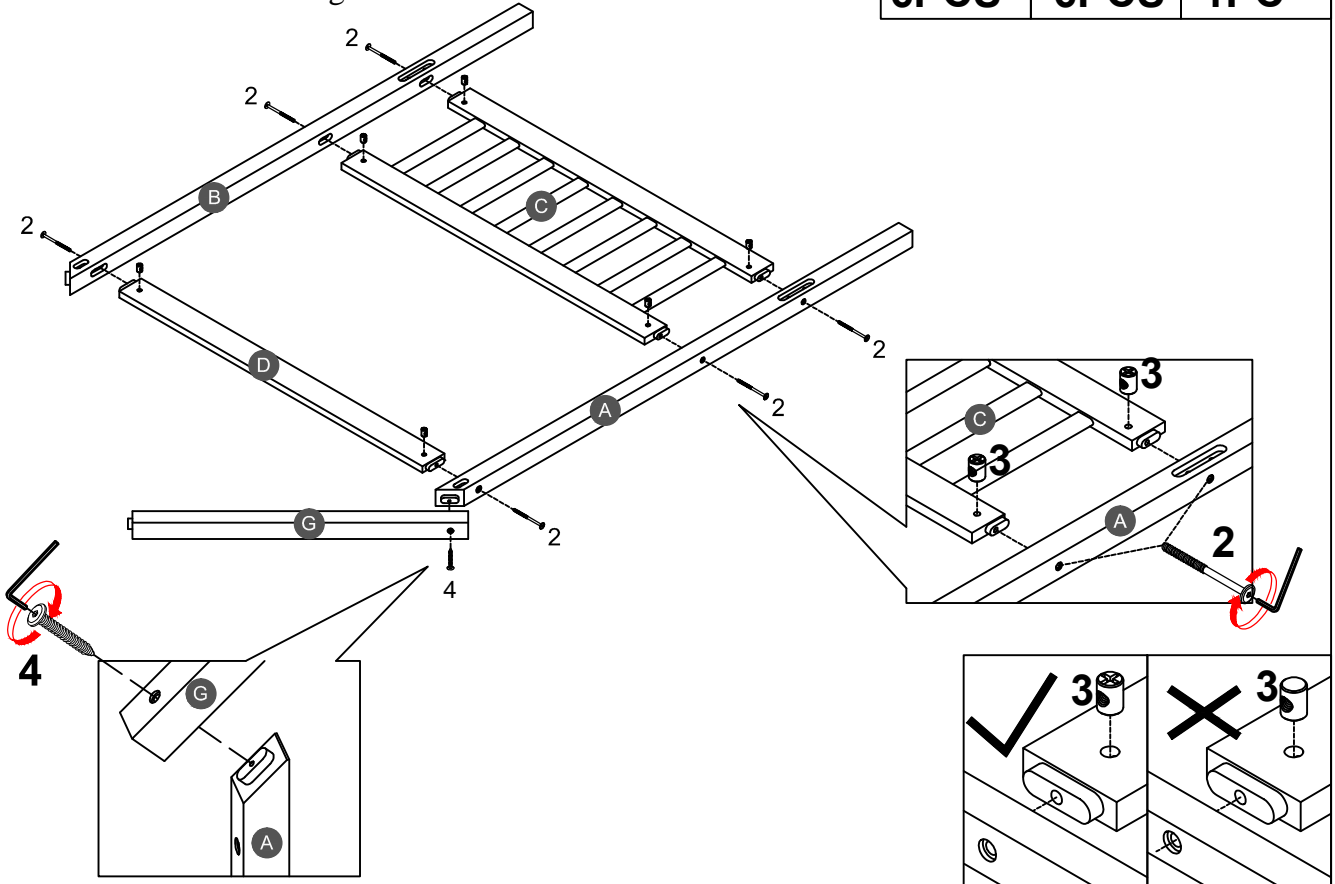
4	
2PCS	




STEP 3:

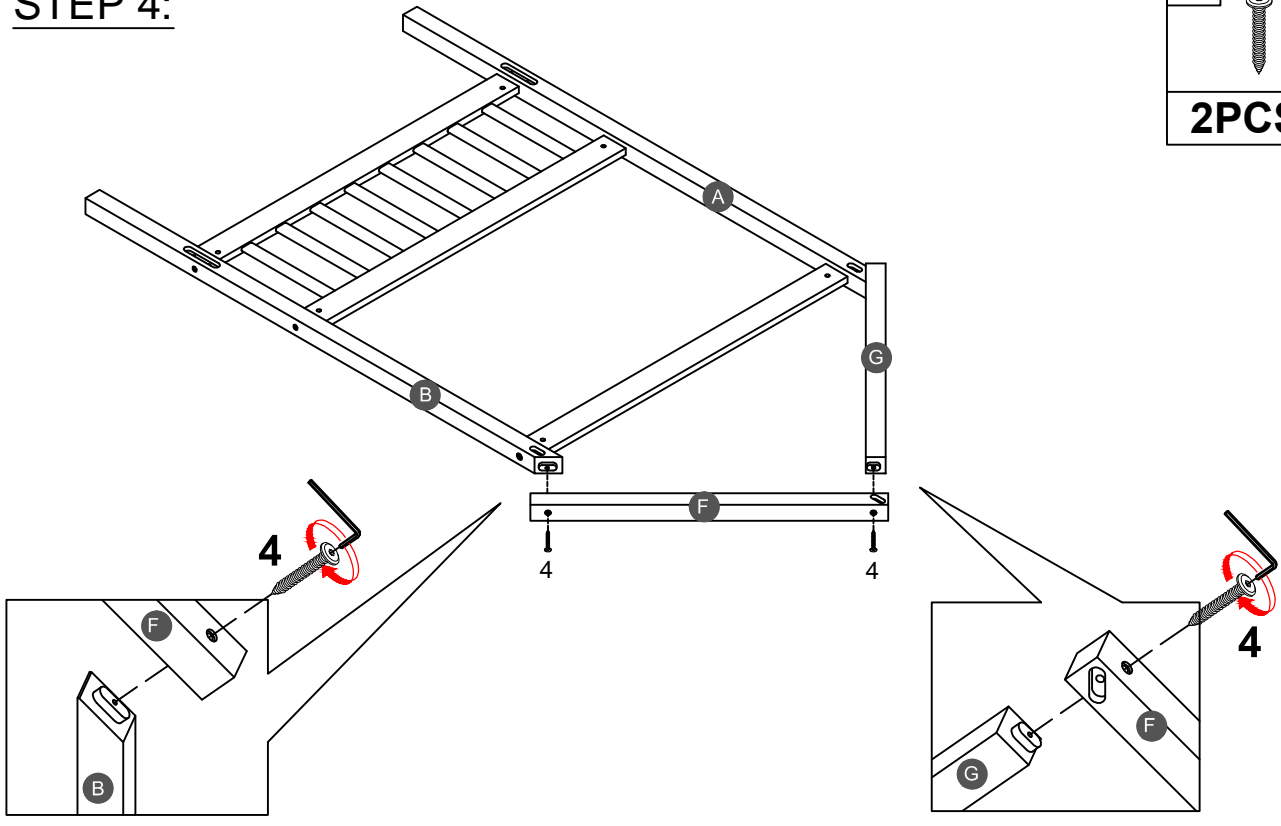
Note: Part 3 will face up with the "x" mark on it, otherwise it cannot be tightened

2		3		4	
6PCS		6PCS		1PC	



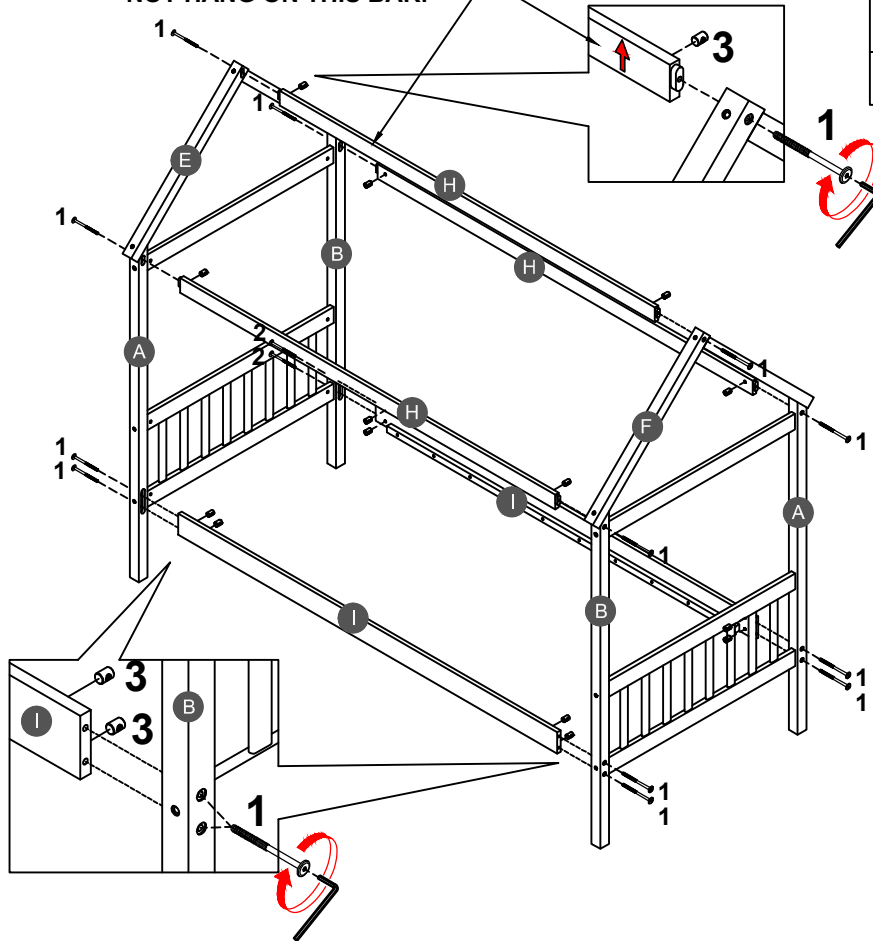
STEP 4:



4	
2PCS	



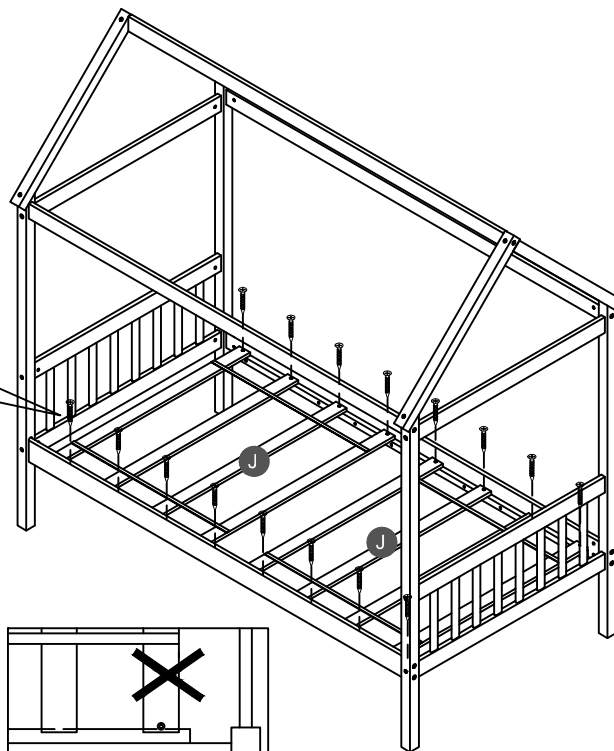
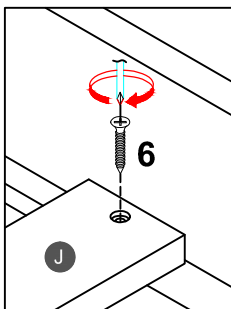
STEP 5:


Remark: Upper horizontal
paste stickers **WARNING: DO
NOT HANG ON THIS BAR!**

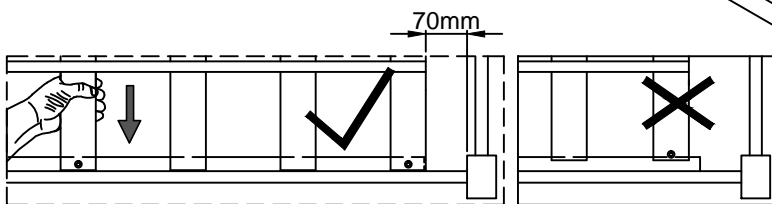


1		3	
14PCS		14PCS	

STEP 6:

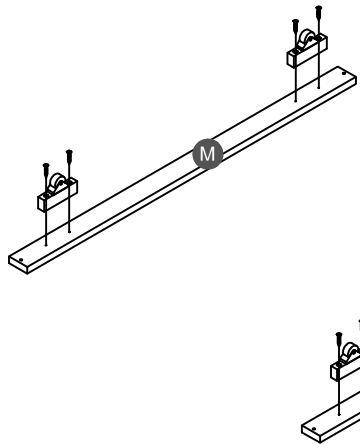


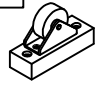

6	
16PCS	

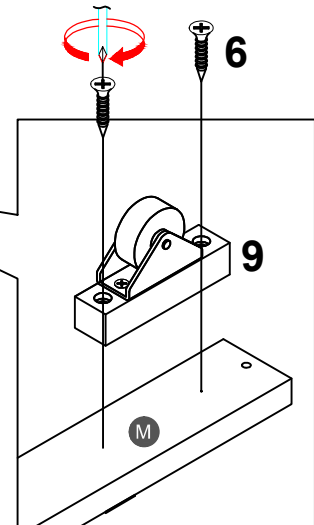


Note: Do not lock the screws of the bed slats to the outermost edge of the bed slats, you need to leave a certain space at the edges, otherwise it will cause the board to break

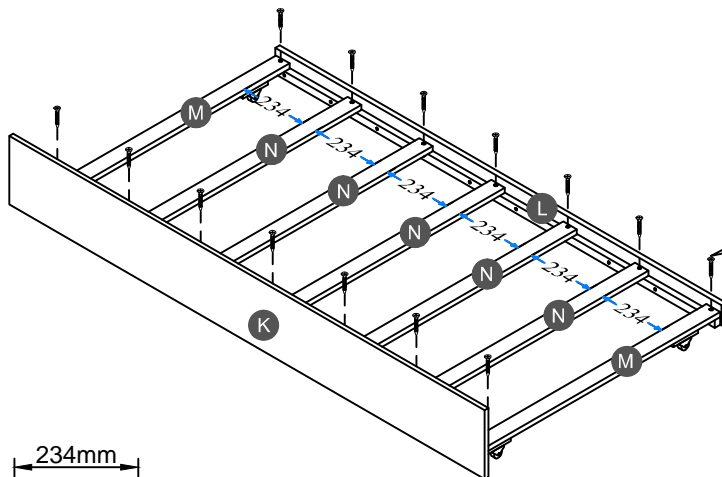
STEP 7:




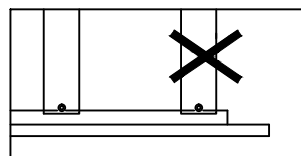
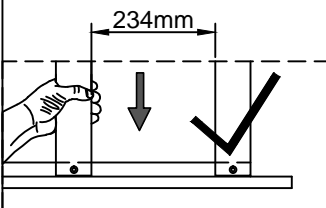
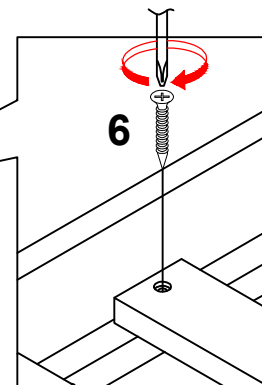
9	6
	
4PCS	8PCS



STEP 8:





6

14PCS

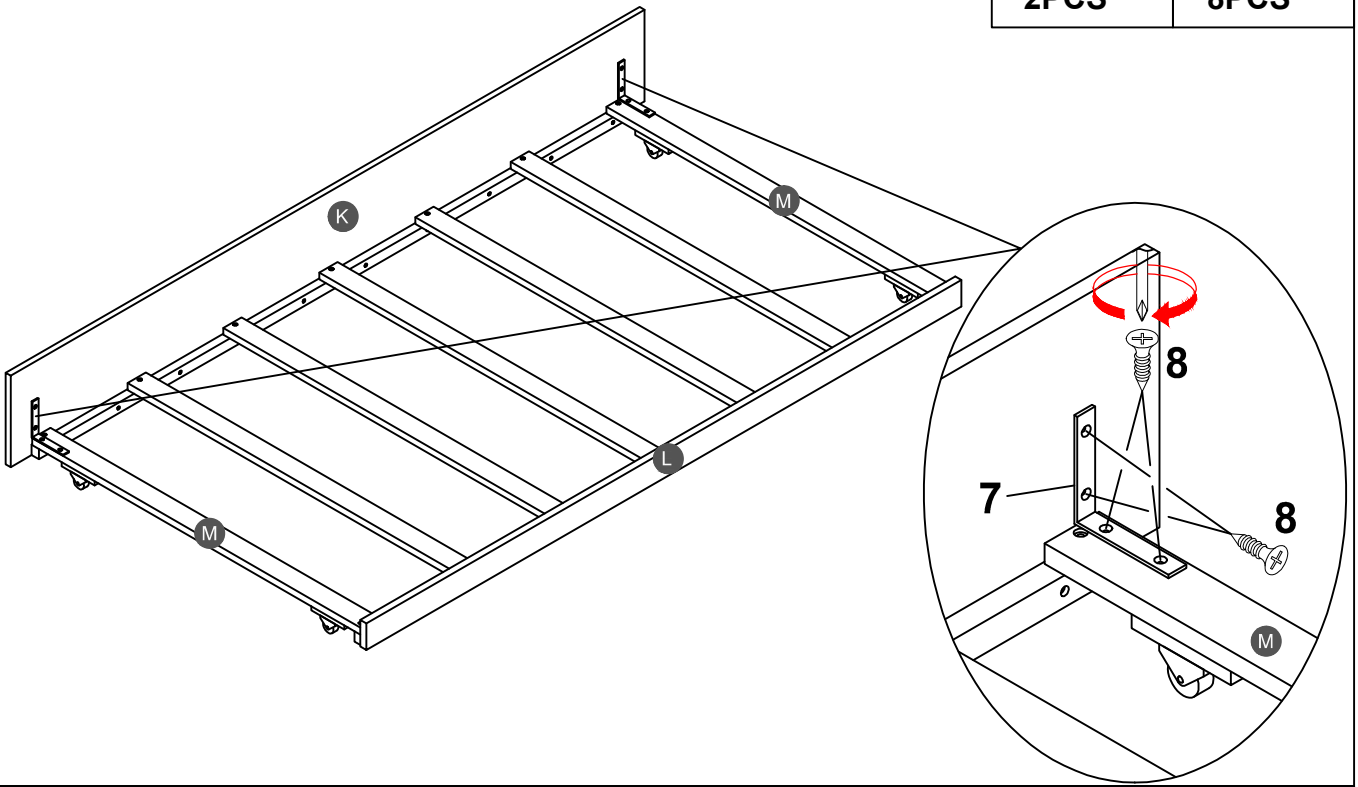


Note: Do not lock the screws of the bed slats to the outermost edge of the bed slats, you need to leave a certain space at the edges, otherwise it will cause the board to break.

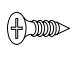
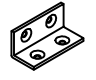
Do not lock the bed slats on the edge of the wood, please hold firmly before screwing, hold it in place with one hand, then lock the screw.

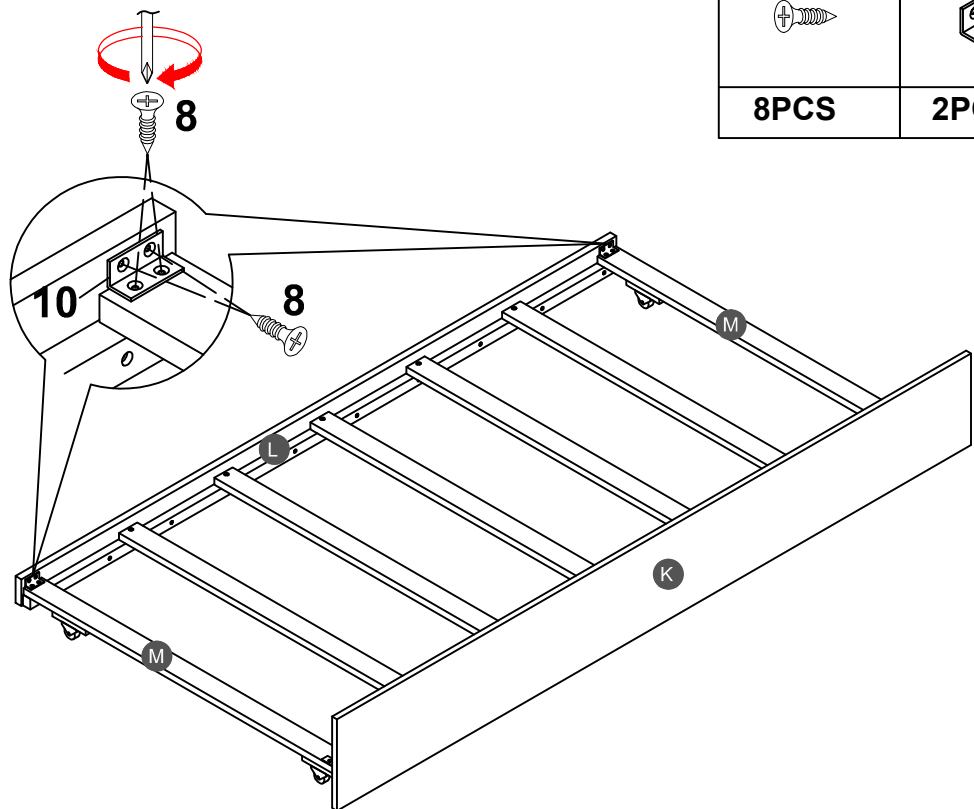
STEP 9:

7	8
	
2PCS	8PCS

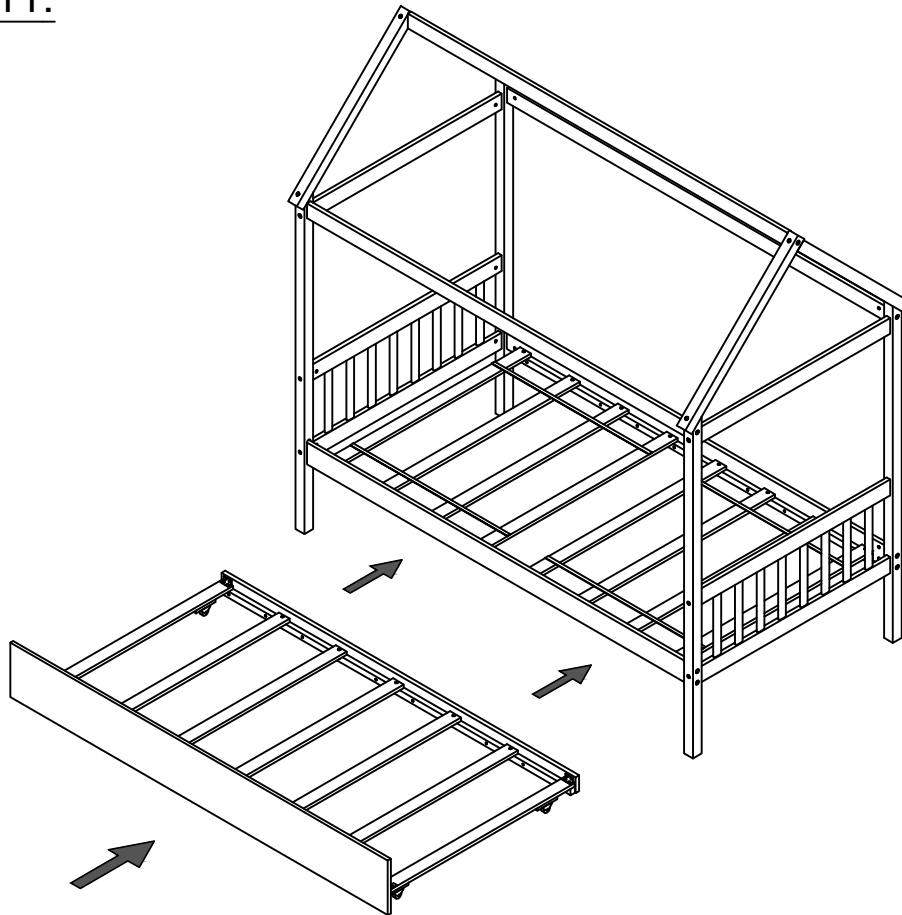


STEP 10:

8	10
	
8PCS	2PCS



STEP 11:



Push Trundle under the bottom of Bunkbed.

