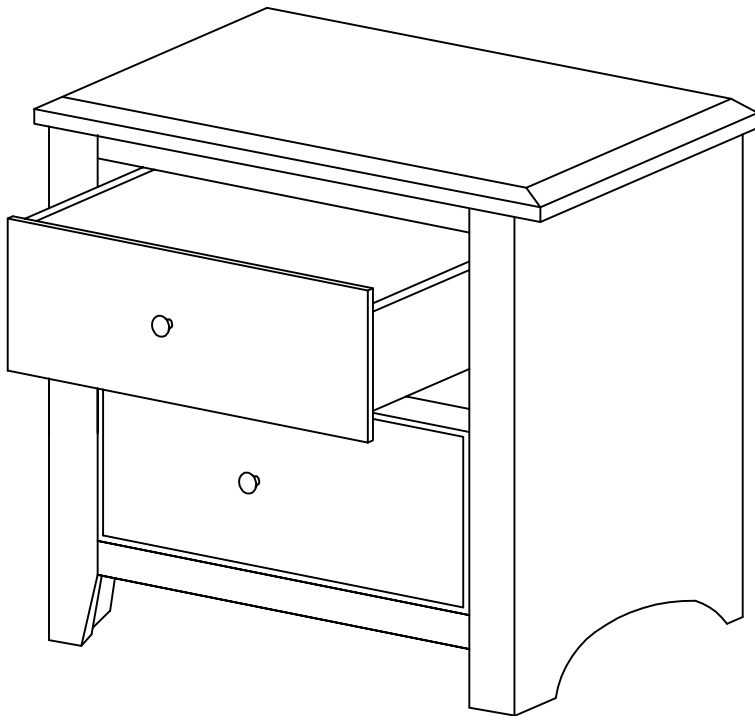
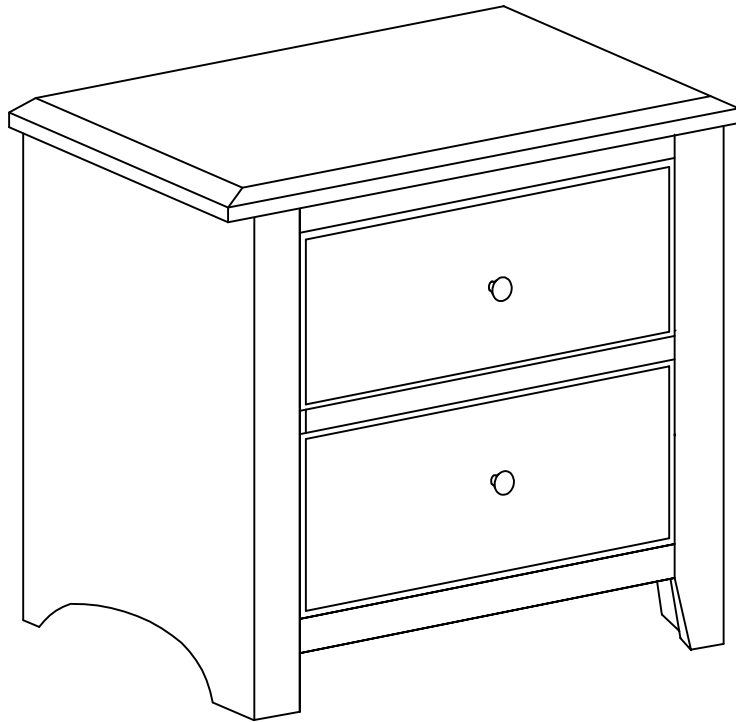
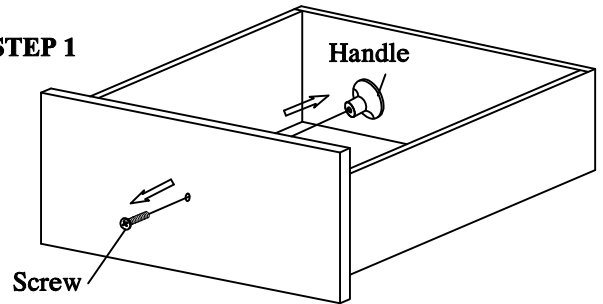


ASSEMBLY INSTRUCTION
MODEL : F4251/F4254/F4277



STEP 1



STEP 2

