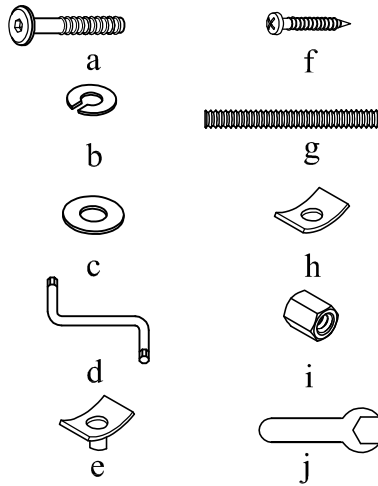


QUEEN/CAL.KG/EAST.KING/FULL HB  
 QUEEN/CAL.KG/EAST.KING/FULL FB  
 QUEEN/CAL.KG/EAST.KING/FULL RAILS

## Assembly Instruction

### A . Components :

1. Headboard Panel	1 x
2. Footboard Panel	1 x
3. Bed Rail	2 x
4. Roll Slat	12 x
5. Center Slat	1 x
6. Slat Support	4 x



### B . Hardware :

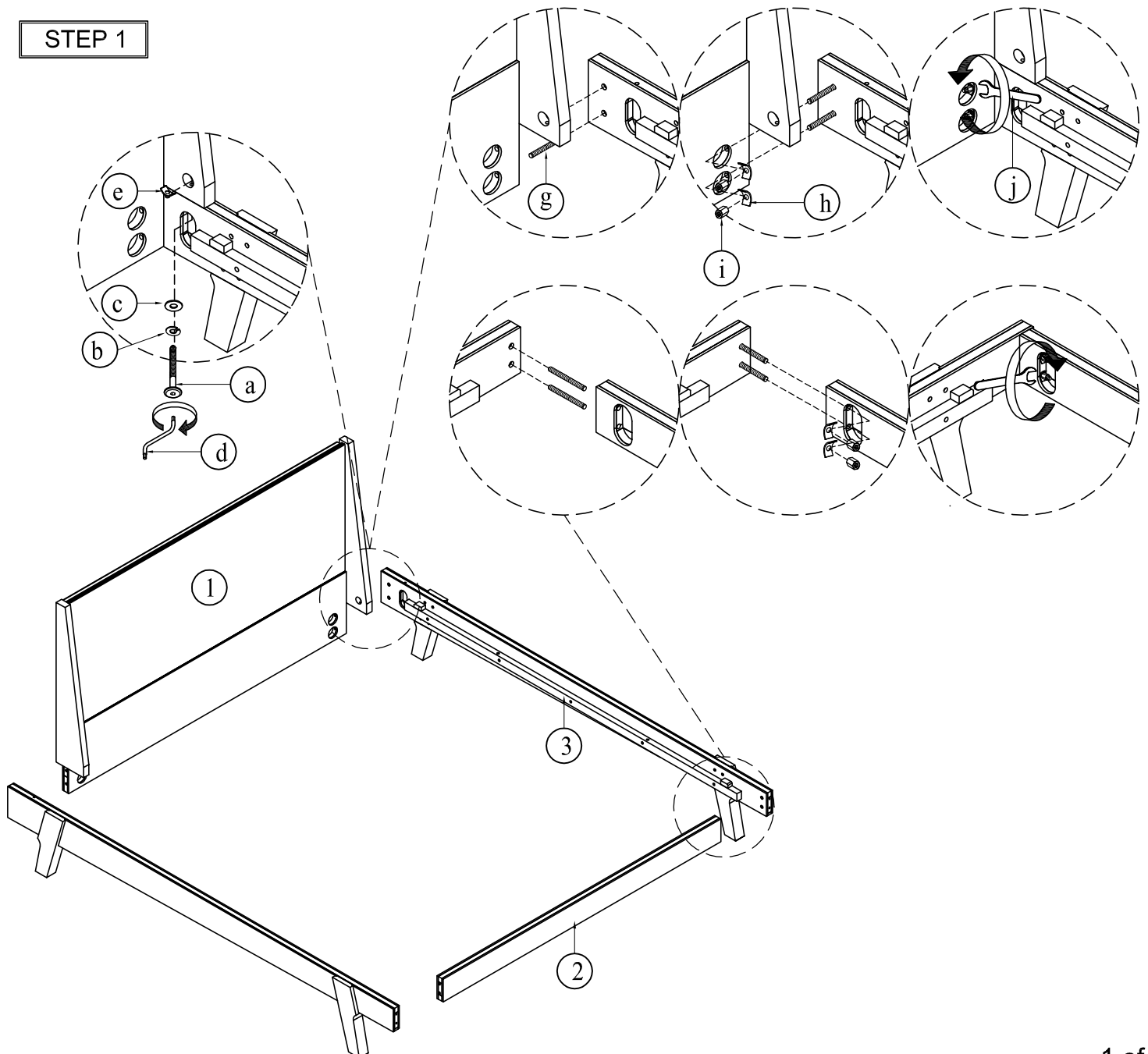
a. Allen Bolt	2 x
b. Lock Washer	2 x
c. Flat Washer	2 x
d. Allen Key	1 x
e. T-Nut	2 x
f. Screw	8 x
g. Stud Bolt	8 x
h. Square Washer	8 x
i. Hex Nut	8 x
j. Wrench	1 x

### C . Tool Required :

- Screw Driver = (not included)



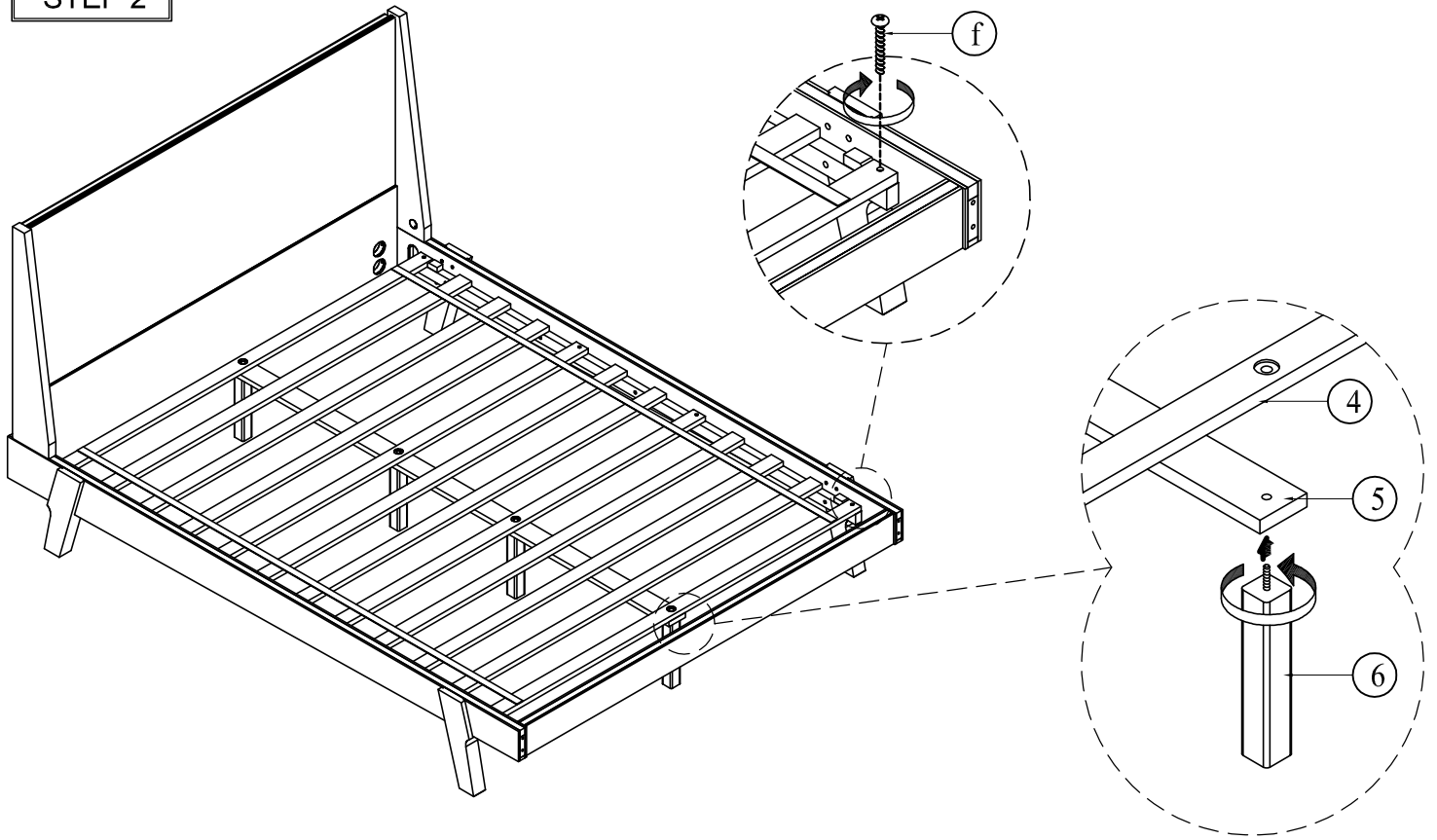
### STEP 1



QUEEN/CAL.KG/EAST.KING/FULL HB  
QUEEN/CAL.KG/EAST.KING/FULL FB  
QUEEN/CAL.KG/EAST.KING/FULL RAILS

## Assembly Instruction

STEP 2



FINISH

