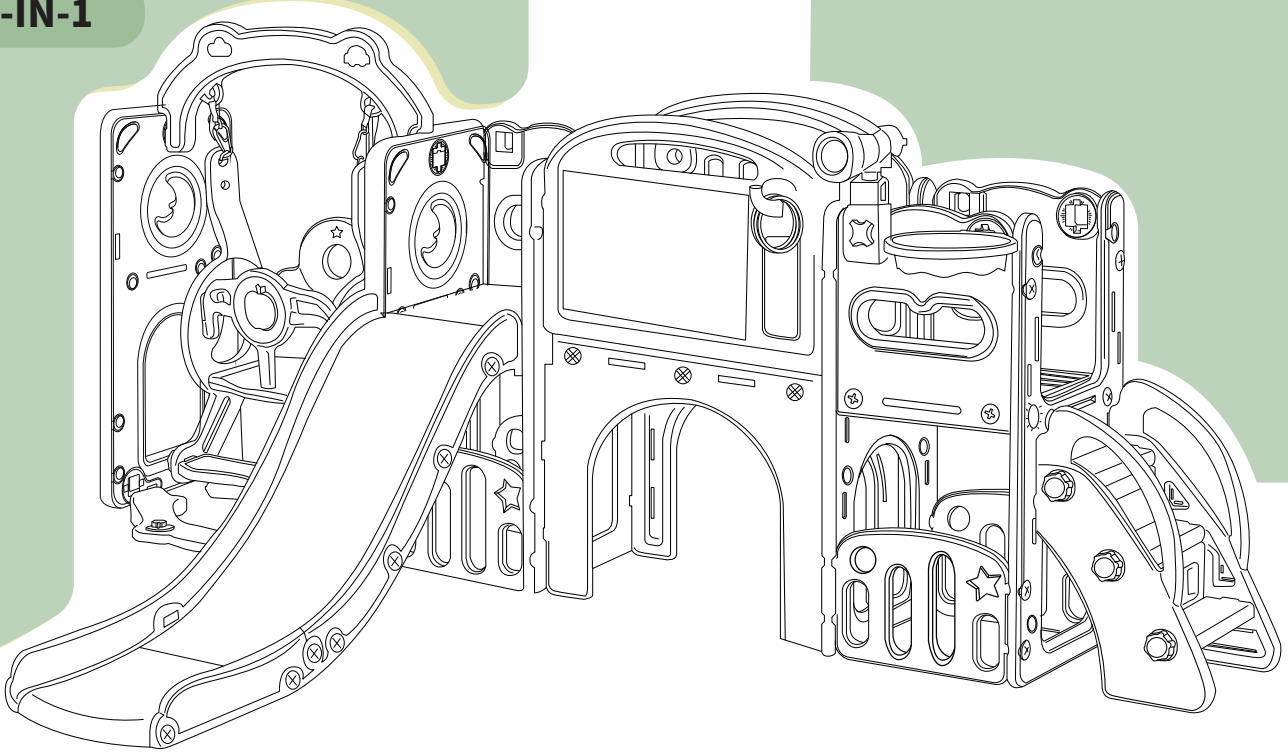


User Manual for Multifunctional Slide for Kids

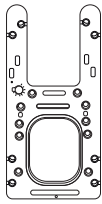
3-IN-1



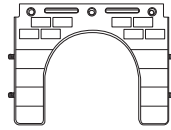
Part description display



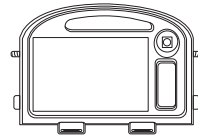
A*2



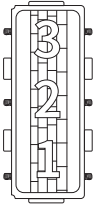
B*3



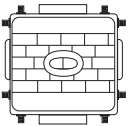
C*2



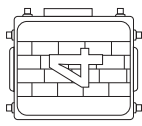
D*2



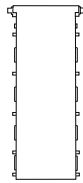
E*1



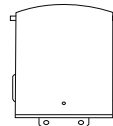
F*1



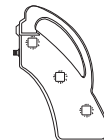
G*1



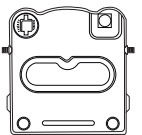
H*1



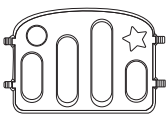
I*1



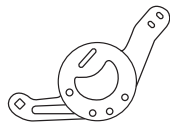
J*2/a*1 b*1



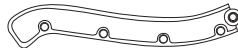
K*3



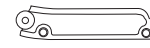
L*4



M*2



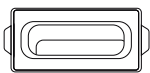
N*2/a*1 b*1



O*2/a*1 b*1



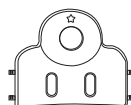
P*3



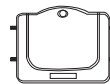
Q*2



R*1



S*1



T*1



U*1



V*1



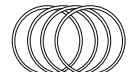
W*1



X*2



Y*1



Z*4



a*1



b*1



c*2



d*4



e*2



f*15



j*53



h*15



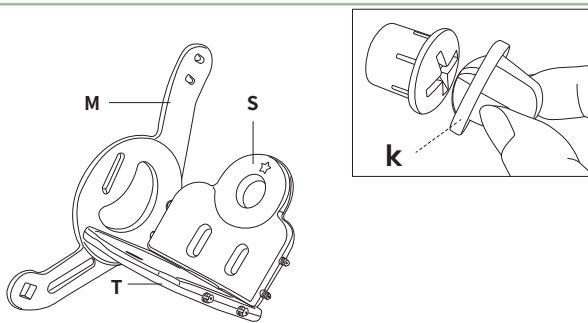
i*9



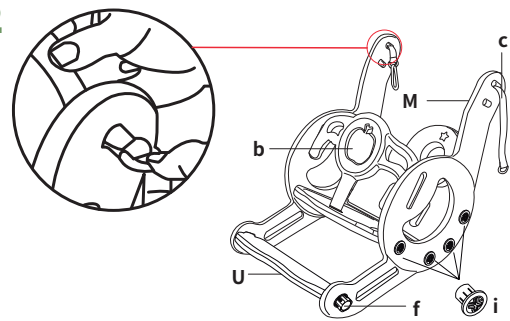
j*2



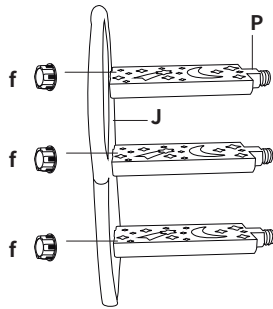
k*1

1

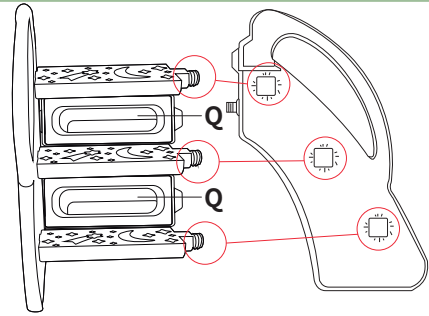
1. Take out boards M, S, and T. Use nut tool K and nuts i to connect the three boards as shown in the diagram.

2

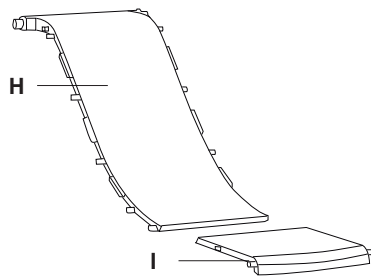
2. Use nuts f and i to connect the other swing side board M and baseboard U. Install the story machine b and attach the swing buckle c as shown in the small diagram.

3

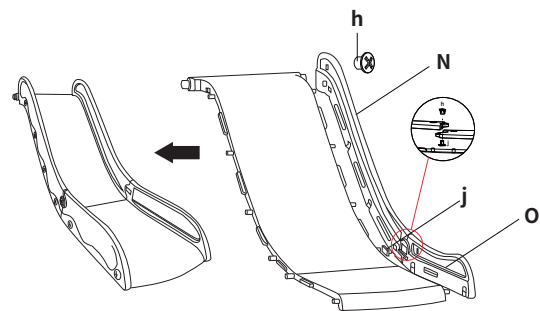
3. Take the stair side board J and stair support board P. Connect them using nuts f as illustrated.

4

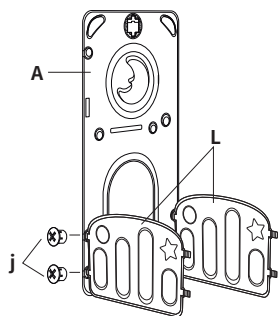
4. Insert stair guard Q between the three P boards. Repeat the process for the other side board J.

5

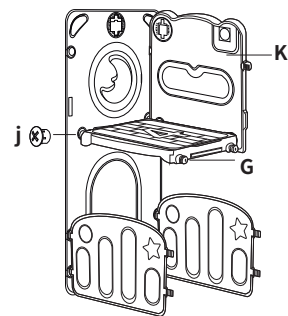
5. Connect the slide baseboards H and I.

6

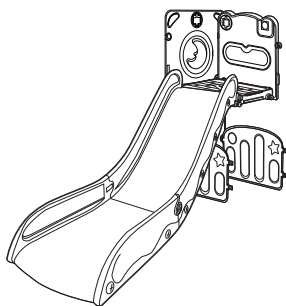
6. Use nuts j and h to attach the slide side boards (repeat for the other side). Finally, secure the slide track to the side boards with nuts h.

7

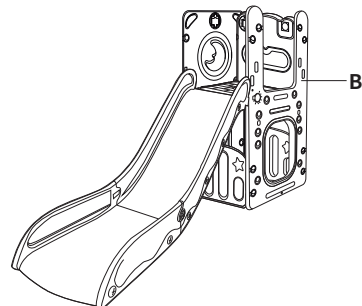
7. Take board A and two boards L. Connect them using nuts J.

8

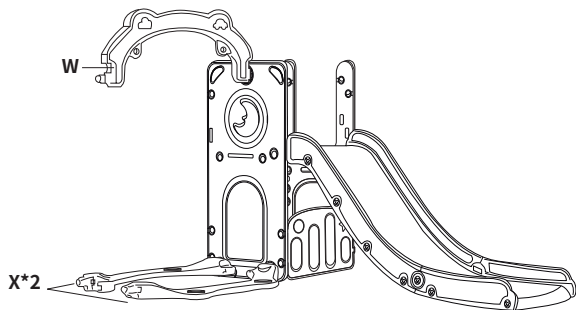
8. Place boards K and G as shown and secure with nuts J.

9

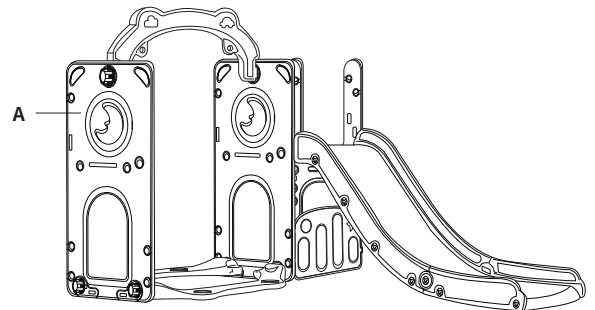
9. Connect the assembled slide and platform using nuts e.

10

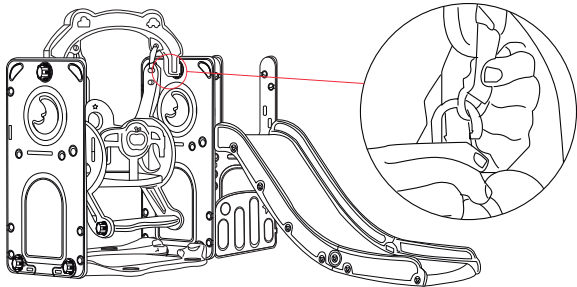
10. Use nuts h to attach the slide track to the platform.

11

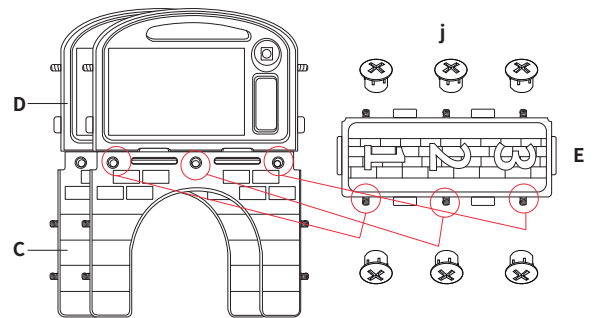
11. Use nuts f to connect two swing fixing boards X and one swing hanging board W (as shown).

12

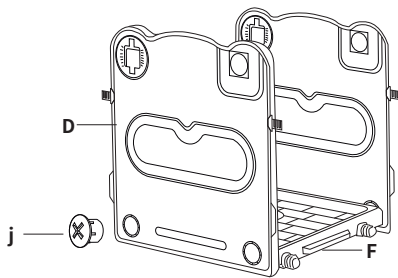
12. Repeat step 11 for the other side board A.

13

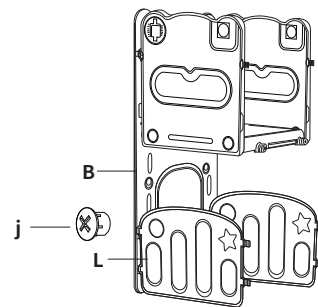
13. As shown in the figure, hang the installed swing part on the swing board.

14

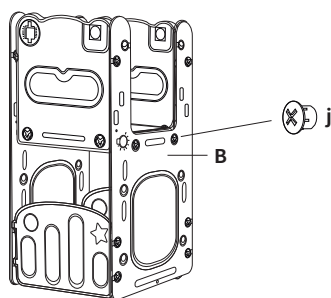
14. Take walkway panels D, C, and E. First, connect C and D together (repeat twice), then attach walkway panel E using nut j as shown.

15

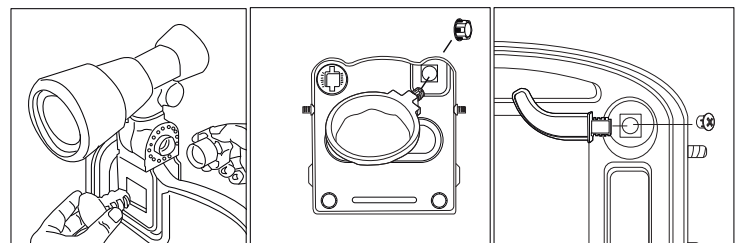
15. Take two broads D and broad F, and use the nut j to connect them.

16

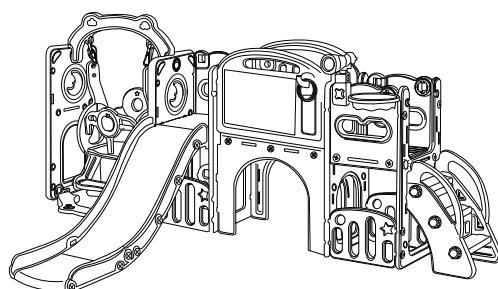
16. Use the nut j in the same way to connect B and two Ls as shown in the figure.

17

17. Use the nut on the basis of the previous step, and connect the other board B with it.

18

18. Place the telescope Y into the side board, and use the nut f to connect the basket V to the side board. Finally, use the nut j to place the sleeve directly into the board D, and finally hang the sleeve.

19

19. Finally, use nuts j to connect the walkway, platform, stairs, and previously assembled parts. Installation is now complete.

Warnings: Please read carefully.

1. This product contains small parts. Adults must assemble it. Keep away from children to prevent choking hazards.
2. Read the manual carefully before installation and use.
3. Children must use the product under adult supervision.
4. Dispose of or store packaging materials properly to avoid suffocation risks.
5. Do not place the product in water or on wet surfaces.
6. Keep away from fire or extreme heat sources.
7. Before use, inspect the surroundings for hazards and keep dangerous items out of children's reach.
8. Ensure all parts are securely fastened before use.

Maintenance

Clean regularly with non-corrosive materials (e.g., sponge and soapy water).

Inspect periodically for damage to ensure a safe play environment.

Avoid prolonged exposure to direct sunlight.
Enjoy safe and fun playtime!

If you have any problems or missing parts? Please let us know. We are here to help you 24/7

Email us: info@buywayus.com