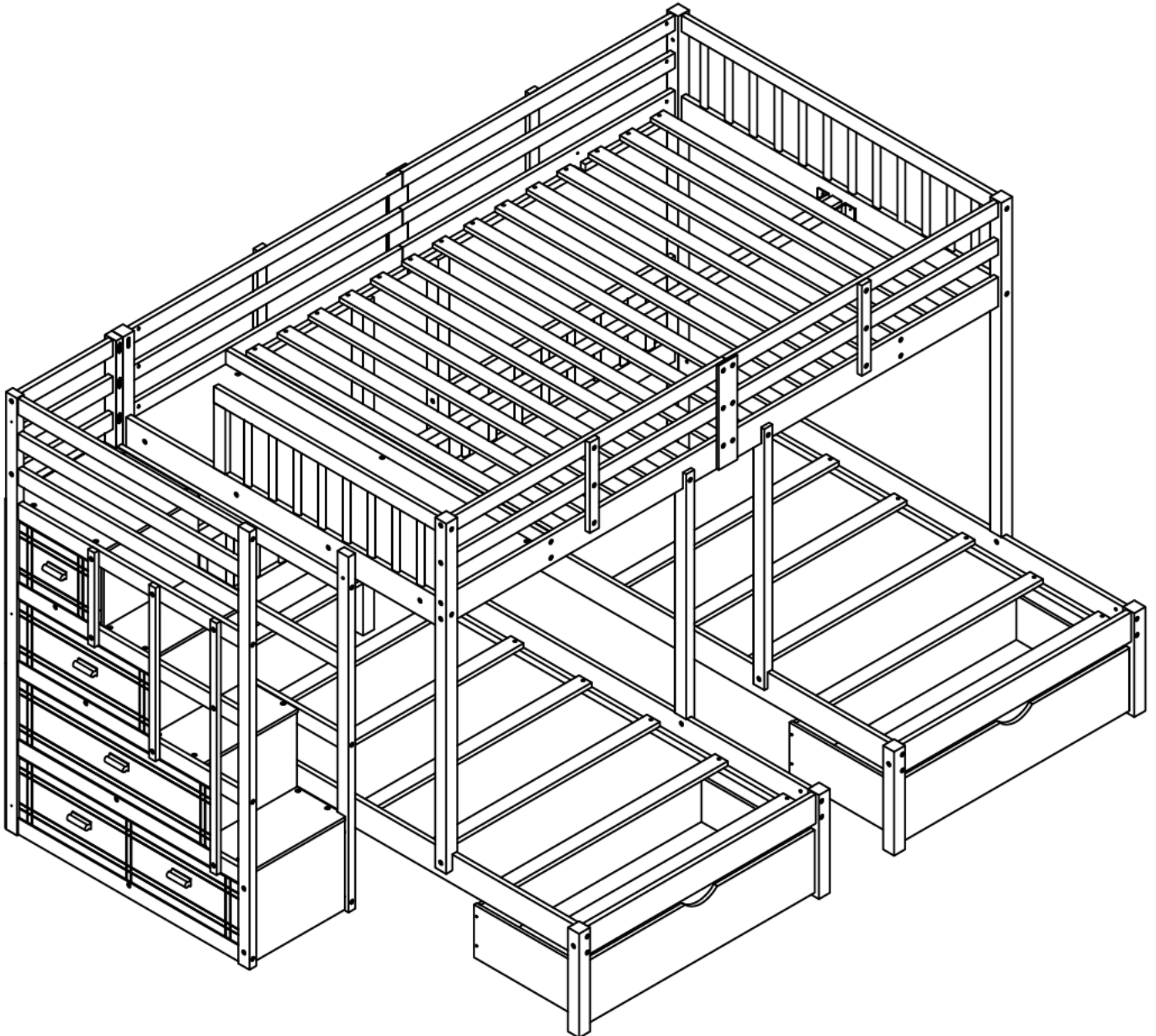


ASSEMBLY INSTRUCTION

This set is included 3 boxes if don't receive full 3 boxes please contact our customer service team



! SAFETY WARNINGS !

1. This bed is designed for use only mattress (es) meeting the following specifications on the upper bunk, and lower bunk

Upper bed

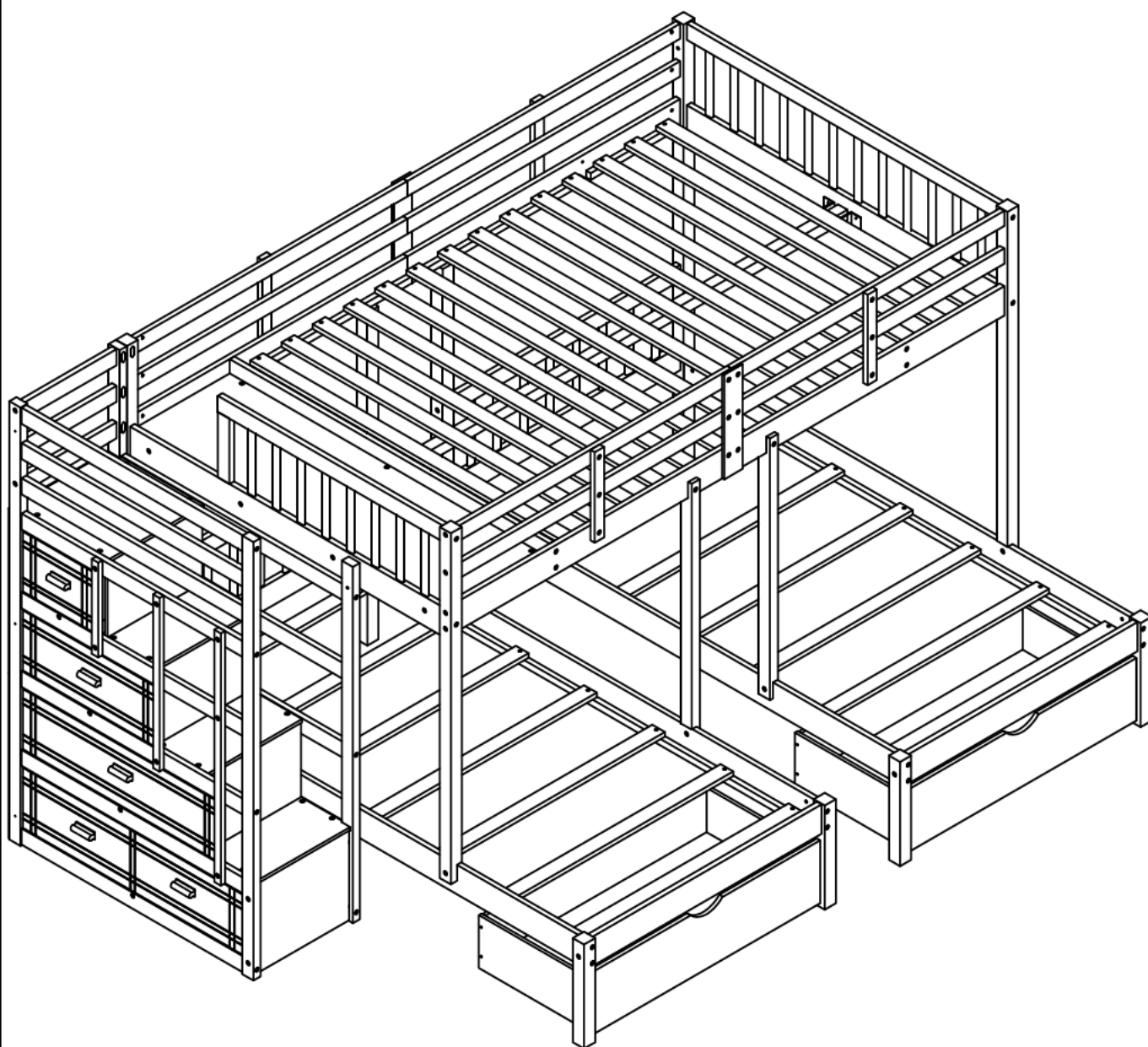
Bed Type	Length	Width	Thickness
<i>Full Standard</i>	<i>74" - 75"</i>	<i>53 1/2"</i>	<i>6" max</i>

Lower bed

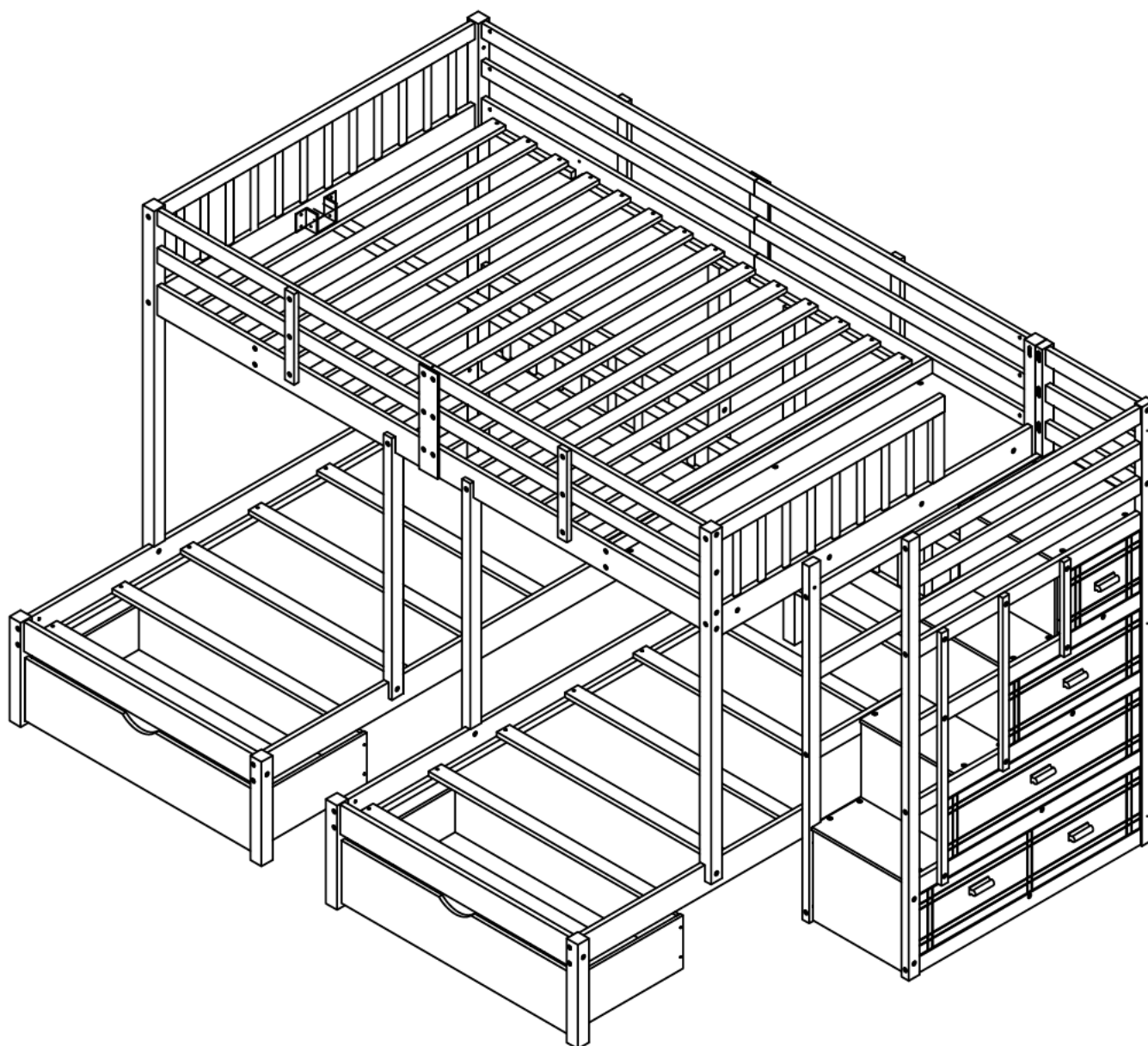
Bed Type	Length	Width	Thickness
<i>Twin Standard</i>	<i>74" - 75"</i>	<i>38 1/2"</i>	<i>8" max</i>

2. Replacement parts, including additional guardrails, maybe obtained from any of our (GIGACLOUD TECHNOLOGY (USA) INC. 18961 ARENTH AVENUE CITY OF INDUSTRY, CA, 91748) dealers
3. Follow the information on the warnings appearing on the upper bunk bed end structure and on the carton. Do not remove warning label from bed
4. Always use the recommended size mattresses or mattress supports, or both, to help prevent the likelihood of entrapment or falls.
5. Surface of mattress must be at least 5" (127mm) below the upper edge of guardrails
6. Do not allow children under 6 years of age to use the upper bunk.
7. Periodically check and ensure that the guardrail, ladder, and other components are in their proper position, free from damage, and that all connectors are tight.
8. Do not allow horseplay on or under the bed and prohibit jumping on the bed.
9. Always use the ladder for entering and leaving the upper bunkAlways use the ladder for entering and leaving the upper bunk.
10. Do not use substitute part. Contact the manufacture or dealer for replacement part
11. Use of a night light may provide added safety precaution for a child using the upper bunk..
12. Always use guardrails on both long sides of the upper bunk. If the bunk bed will be placed next to the wall, the guardrail that runs the full length of the bed should be placed against the wall to prevent entrapment between the bed and wall.
13. The use of water or sleep flotation mattresses is prohibited
14. **STRANGULATION HAZARD** - Never attach or hang items to any part of the bunk bed that are not designed for use with the bed; for example, but not limited to, hook, belts and jump ropes
15. Keep these instruction for future reference
16. Prohibit more than one person on upper bunk
17. We recommend assembling your bunk bed on the shipping carton to protect your floor or carpet
18. Be certain all staples are out of the box before beginning assembly on the shipping carton.

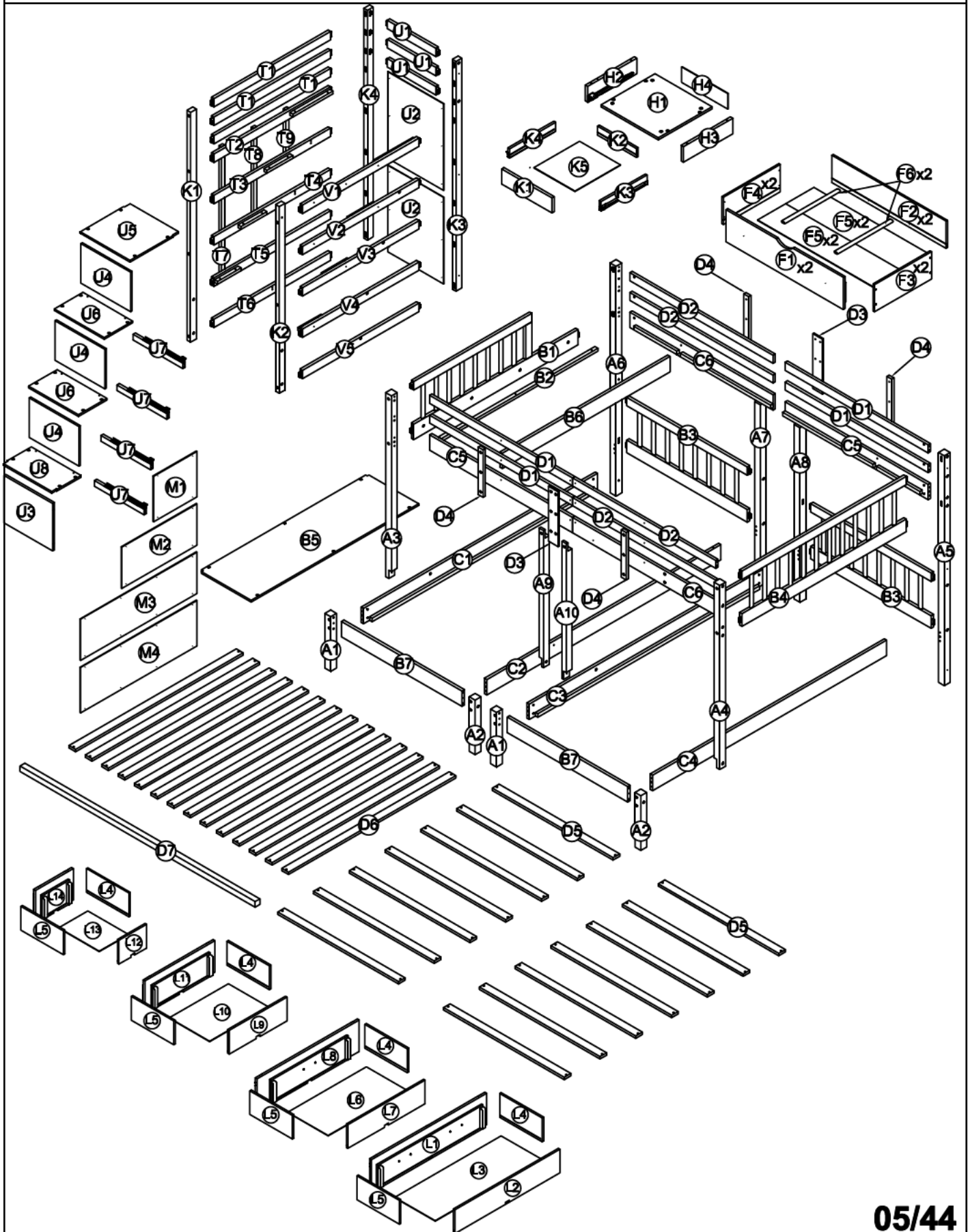
OPTION 1: STAIR IN LEFT



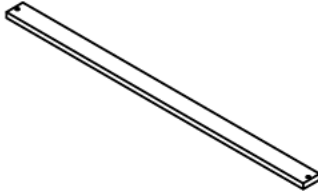
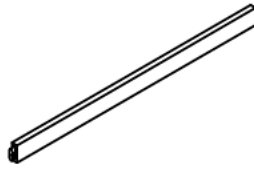
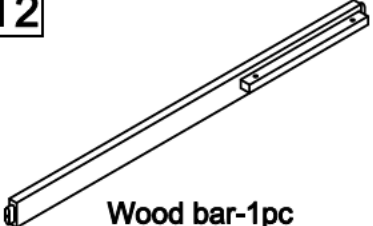


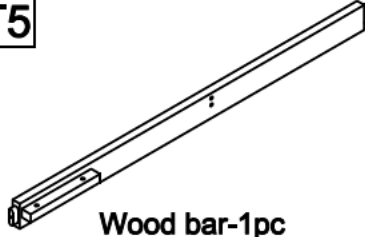
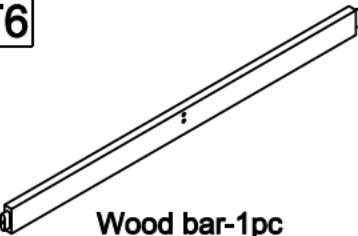
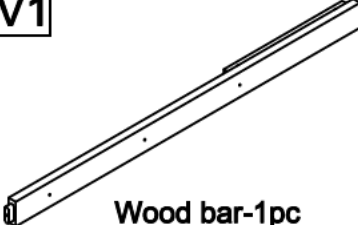
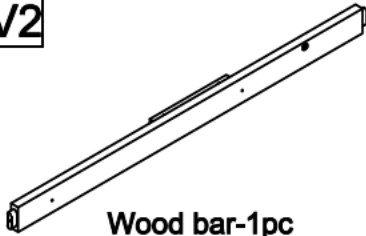
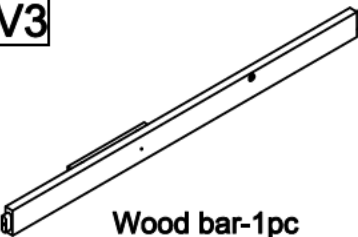
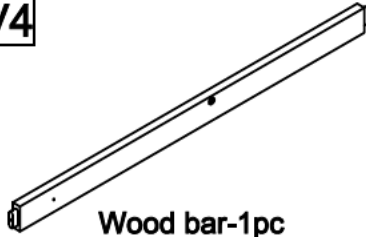
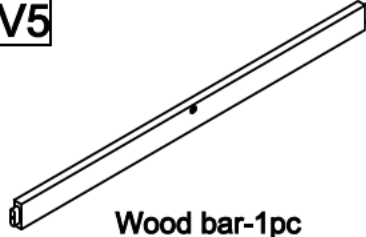
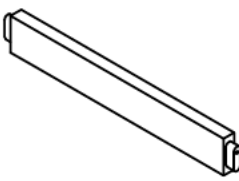
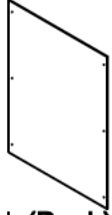
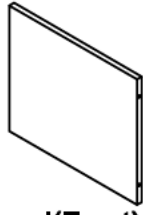
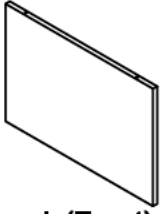
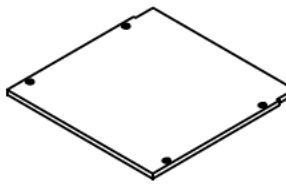
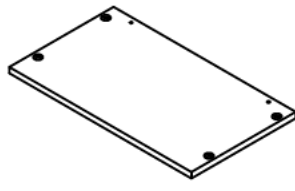
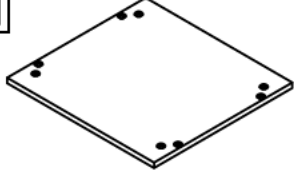
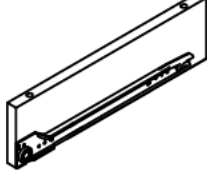
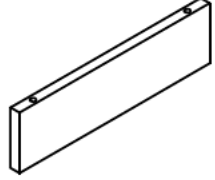
OPTION 2: STAIR IN RIGHT



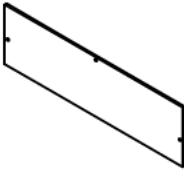


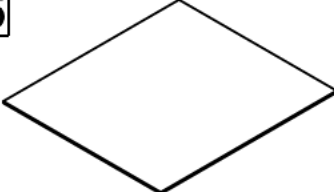
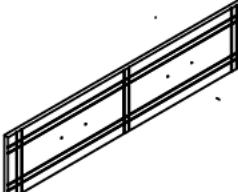

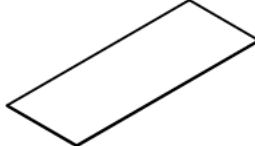
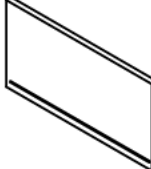
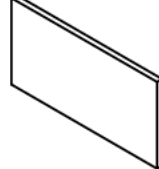
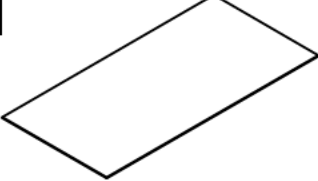

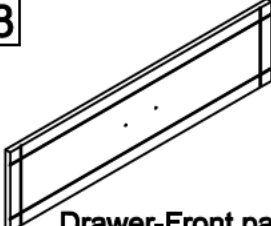
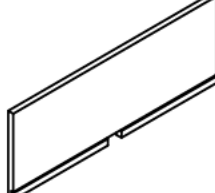
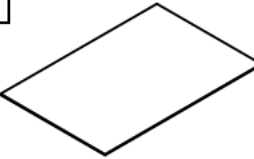
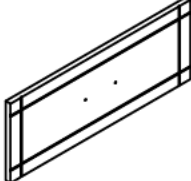
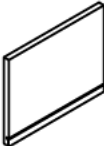
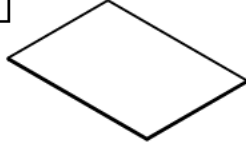
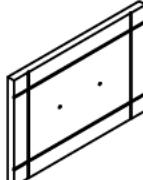
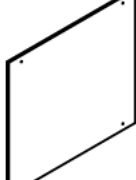
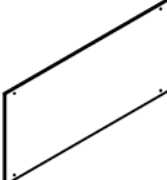
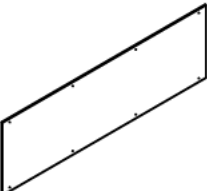
ASSEMBLY INSTRUCTION



Part List(Box 1-WF293769)

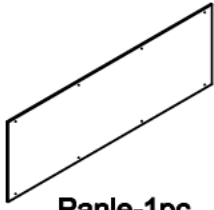
<p>D5</p>  <p>Short Slant-14pcs</p>	<p>T1</p>  <p>Wood bars-3pcs</p>	<p>T2</p>  <p>Wood bar-1pc</p>
<p>T3</p>  <p>Wood bar-1pc</p>	<p>T4</p>  <p>Wood bar-1pc</p>	<p>T5</p>  <p>Wood bar-1pc</p>
<p>T6</p>  <p>Wood bar-1pc</p>	<p>V1</p>  <p>Wood bar-1pc</p>	<p>V2</p>  <p>Wood bar-1pc</p>
<p>V3</p>  <p>Wood bar-1pc</p>	<p>V4</p>  <p>Wood bar-1pc</p>	<p>V5</p>  <p>Wood bar-1pc</p>
<p>U1</p>  <p>Wood bars(Back)-3pcs</p>	<p>U2</p>  <p>Panels(Back)-2pcs</p>	<p>U3</p>  <p>Panel(Front)-1pc</p>
<p>U4</p>  <p>Panels(Front)-3pcs</p>	<p>U5</p>  <p>Panel(Top)-1pc</p>	<p>U6</p>  <p>Panels-2pcs</p>
<p>H1</p>  <p>Panle-1pc</p>	<p>H2</p>  <p>Side Panle-1pc</p>	<p>H3</p>  <p>Side Panle-1pc</p>

Part List(Box 1-WF293769)

<p>H4</p>  <p>Back Panle-1pc</p>	<p>K1</p>  <p>Drawer-Front Panle-1pc</p>	<p>K2</p>  <p>Drawer-Back Panle-1pc</p>
<p>K5</p>  <p>Drawer-Bottom Panle-1pc</p>	<p>L1</p>  <p>Drawer-Front panle-1pc</p>	<p>L2</p>  <p>Drawer-Back panle-1pc</p>
<p>L3</p>  <p>Drawer-Bottom panle-1pc</p>	<p>L4</p>  <p>Drawer-Side panles-4pcs</p>	<p>L5</p>  <p>Drawer-Side panles-4pcs</p>
<p>L6</p>  <p>Drawer-Bottom panle-1pc</p>	<p>L7</p>  <p>Drawer-Back panle-1pc</p>	<p>L8</p>  <p>Drawer-Front panle-1pc</p>
<p>L9</p>  <p>Drawer-Back panle-1pc</p>	<p>L10</p>  <p>Drawer-Bottom panle-1pc</p>	<p>L11</p>  <p>Drawer-Front panle-1pc</p>
<p>L12</p>  <p>Drawer-Back panle-1pc</p>	<p>L13</p>  <p>Drawer-Bottom panle-1pc</p>	<p>L14</p>  <p>Drawer-Front panle-1pc</p>
<p>M1</p>  <p>Panle-1pc</p>	<p>M2</p>  <p>Panle-1pc</p>	<p>M3</p>  <p>Panle-1pc</p>

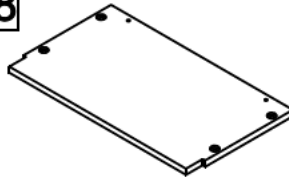
Part List(Box 1-WF293769)

M4







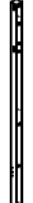





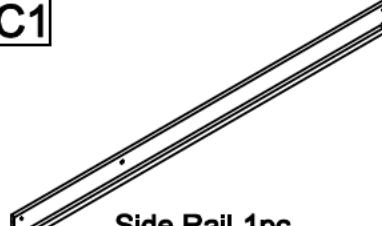
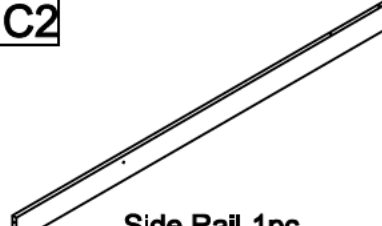
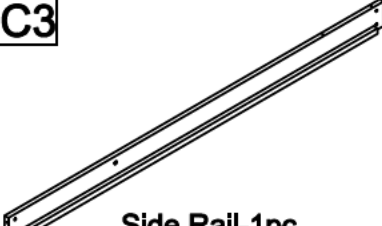
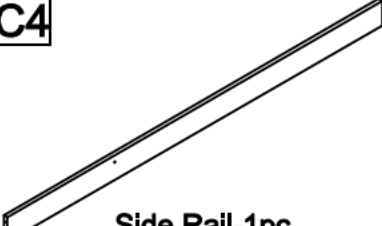







Panel-1pc

U8


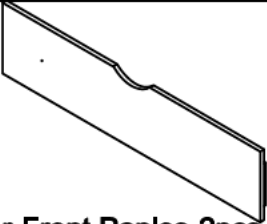

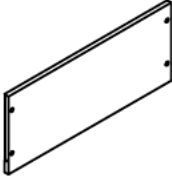
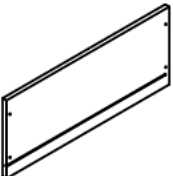
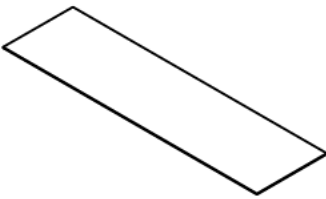



Panel-1pc

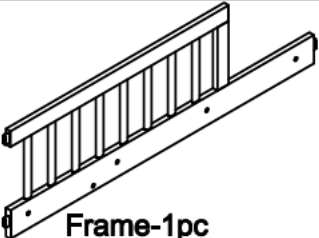
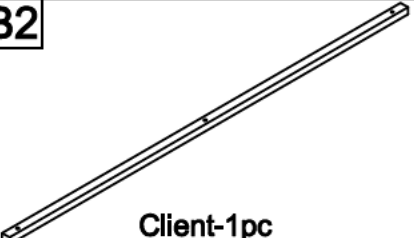
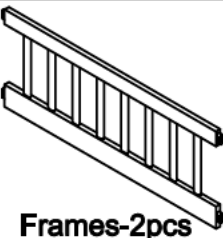
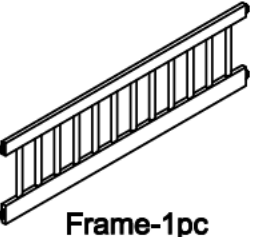
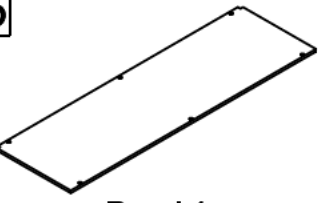
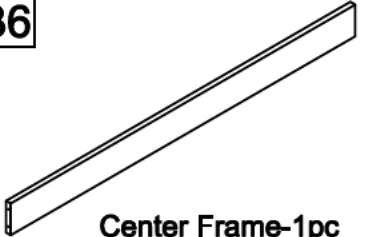
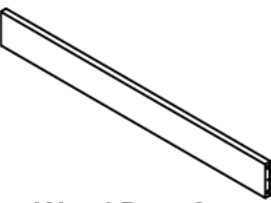
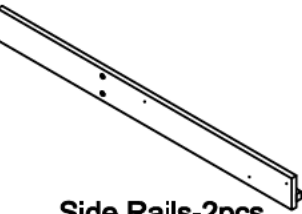
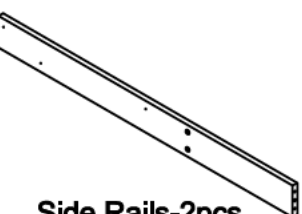
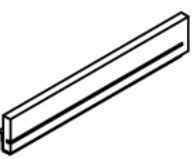
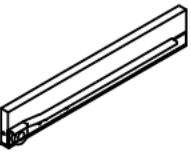
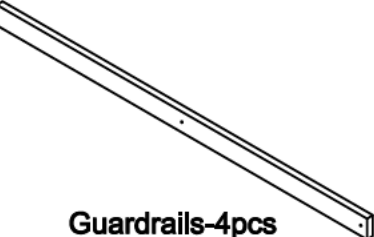





Part List (Box 2-WF293770)

<p>A1</p>  <p>Legs-2pcs</p>	<p>A2</p>  <p>Legs-2pcs</p>	<p>A3</p>  <p>Leg-1pc</p>
<p>A4</p>  <p>Leg-1pc</p>	<p>A5</p>  <p>Leg-1pc</p>	<p>A6</p>  <p>Leg-1pc</p>
<p>A7</p>  <p>Leg-1pc</p>	<p>A8</p>  <p>Leg-1pc</p>	<p>A9</p>  <p>Leg-1pc</p>
<p>A10</p>  <p>Leg-1pc</p>	<p>C1</p>  <p>Side Rail-1pc</p>	<p>C2</p>  <p>Side Rail-1pc</p>
<p>C3</p>  <p>Side Rail-1pc</p>	<p>C4</p>  <p>Side Rail-1pc</p>	<p>D7</p>  <p>Support Slat-1pc</p>
<p>K1</p>  <p>Leg-1pc</p>	<p>K2</p>  <p>Leg-1pc</p>	<p>K3</p>  <p>Leg-1pc</p>
<p>K4</p>  <p>Leg-1pc</p>	<p>T7</p>  <p>Vertical Bar-1pc</p>	<p>T8</p>  <p>Vertical Bar-1pc</p>


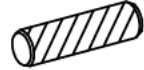











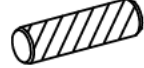

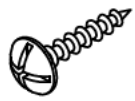




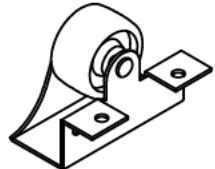
Part List (Box 2-WF293770)

T9  Vertical Bar-1pc	F1  Drawer-Front Panles-2pcs	F2  Drawer-Back Panles-2pcs
F3  Drawer-Side Panles-2pcs	F4  Drawer-Side Panles-2pcs	F5  Drawer-Bottom Panles-4pcs
F6  Drawer-Support Bottom Panles-4pcs		

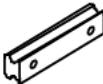




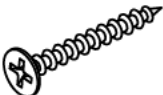
Part List & Hardware List (Box 3-WF293771)

<p>B1</p>  <p>Frame-1pc</p>	<p>B2</p>  <p>Client-1pc</p>	<p>B3</p>  <p>Frames-2pcs</p>
<p>B4</p>  <p>Frame-1pc</p>	<p>B5</p>  <p>Panel-1pc</p>	<p>B6</p>  <p>Center Frame-1pc</p>
<p>B7</p>  <p>Wood Bars-2pcs</p>	<p>C5</p>  <p>Side Rails-2pcs</p>	<p>C6</p>  <p>Side Rails-2pcs</p>
<p>K4</p>  <p>Drawer-Side Panle-1pc</p>	<p>K3</p>  <p>Drawer-Side Panle-1pc</p>	<p>D1</p>  <p>Guardrails-4pcs</p>
<p>D2</p>  <p>Guardrails-4pcs</p>	<p>D3</p>  <p>Vertical Bars-2pcs</p>	<p>D4</p>  <p>Vertical Bars-4pcs</p>
<p>D6</p>  <p>Long Slast-14pcs</p>	<p>U7</p>  <p>Wood bars-4pcs</p>	

Hardware List(Box 3-WF293771)

<p>1</p>  <p>M4 x 30 mm Wood Screws 120pcs</p>	<p>2</p>  <p>Ø10 x 40 mm Wood dowel 28pcs</p>	<p>3</p>  <p>Screws 1/4" x80 4pcs</p>
<p>4</p>  <p>Screws 1/4" x70 31pcs</p>	<p>5</p>  <p>Ø1/4" x 35 mm Hex-Head bolts 6pcs</p>	<p>6</p>  <p>Ø1/4" x 100 mm Hex-Head bolts 32pcs</p>
<p>7</p>  <p>Ø1/4" x 13 mm Horizontal-Hole bolts 32pcs</p>	<p>8</p>  <p>Allen Key 1pc</p>	<p>9</p>  <p>Ø1/4" x 15 mm Canopy head though -4pcs</p>
<p>10</p>  <p>Screws 1/4" x30 35pcs</p>	<p>11</p>  <p>Screws 1/4" x50 16pcs</p>	<p>12</p>  <p>Ø1/4" x 25 mm Hex-Head bolts 32pcs</p>
<p>13</p>  <p>Ø1/4" x 40 mm Hex-Head bolts 4pcs</p>	<p>14</p>  <p>Ø8 x 30 mm Wood dowel 24pcs</p>	<p>15</p>  <p>Stop Drawer-4pcs</p>
<p>16</p>  <p>M4 x 15 mm Wood Screws 39pcs</p>	<p>17</p>  <p>Screws 1/4" x40 1pc</p>	<p>18</p>  <p>Ø1/6" x 25 mm Hex-Head bolts 1pc</p>
<p>19</p>  <p>Handle Wood 1pc</p>	<p>20</p>  <p>M3.5x 12 mm Wood Screws 24pcs</p>	<p>21</p>  <p>Wheels 8pcs</p>





Hardware List(Box 3-WF293771)

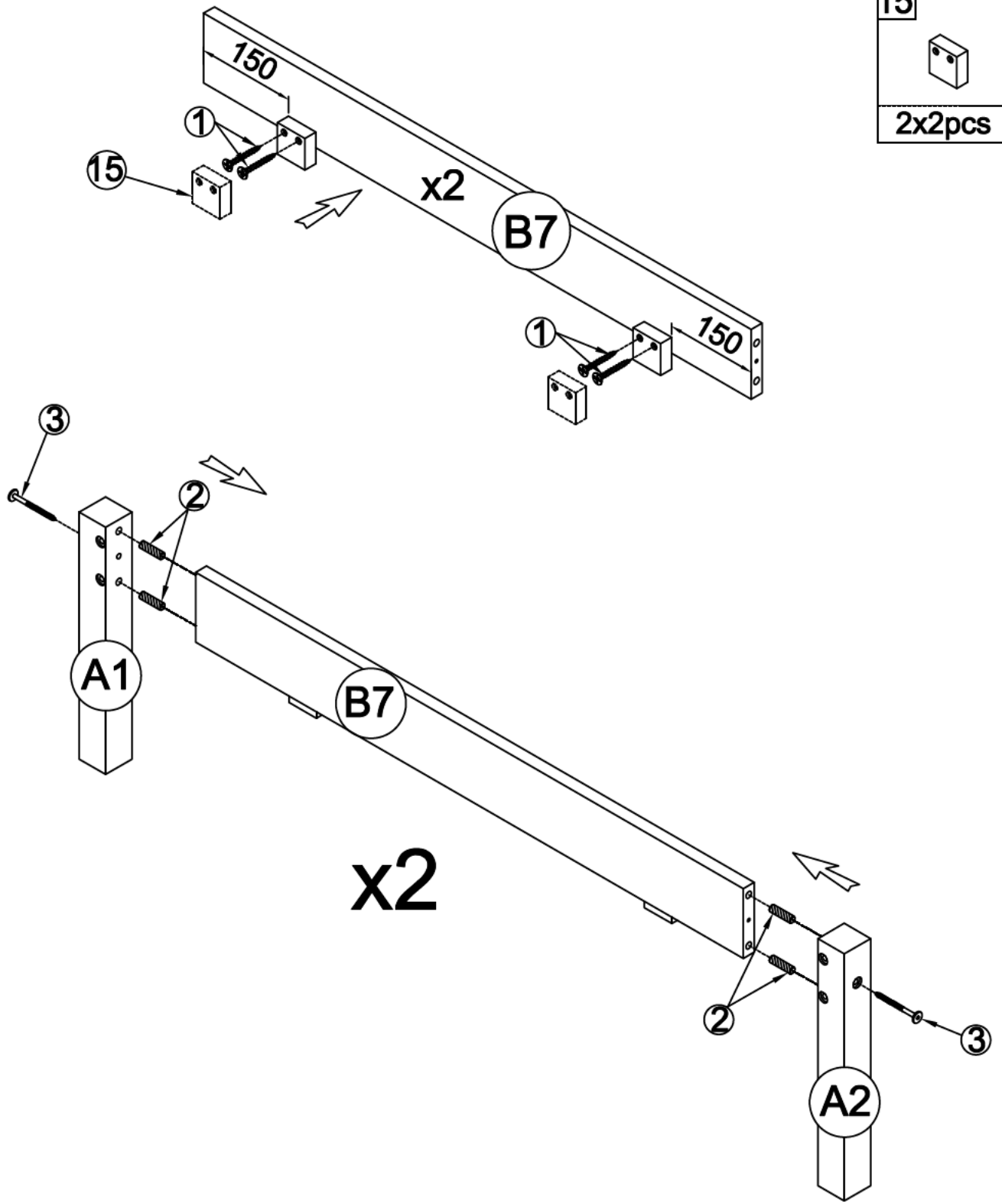
22  Handle 5pcs	23  Small Bolts M4x15 10pcs	24  Runner(4pcs) 340*30mm
25  Screw M3.5x12 mm 12pcs	26  Steel Bracket 2pc	27  M4 x 20 mm Wood Screws 8pcs

STEP1: Following below illustration Assembly Bottom bed's Footboard .

-Using hardware #1 connect B7 Woodbar with Stop Drawer #15

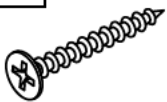

-Using hardware #3 and dowel #2 connect A1(x2), A2(x2) legs with B7 Woodbar

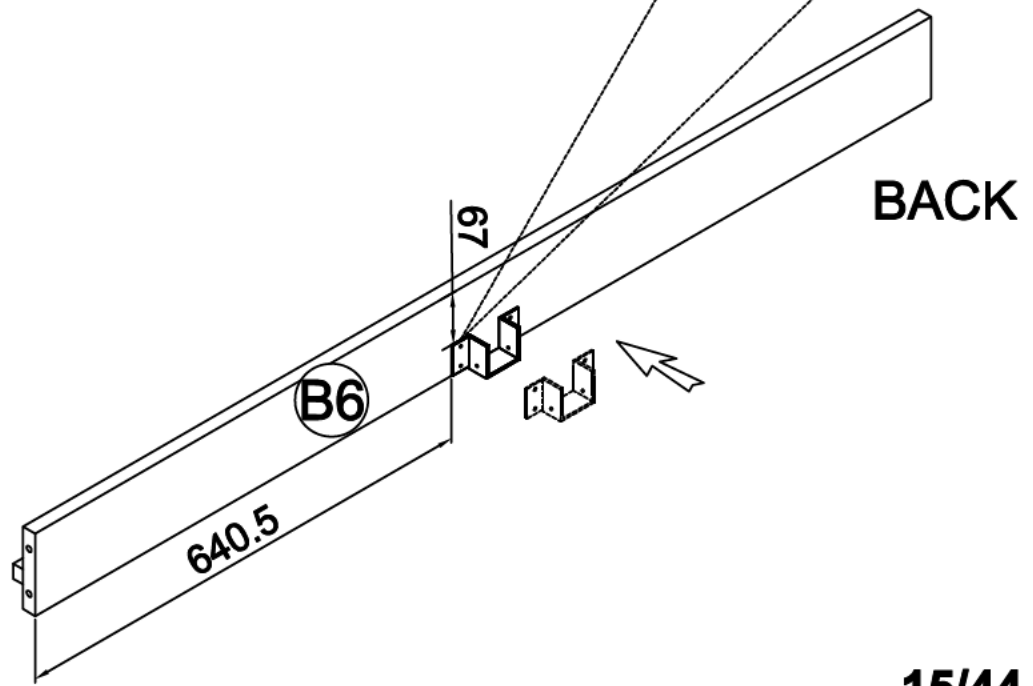
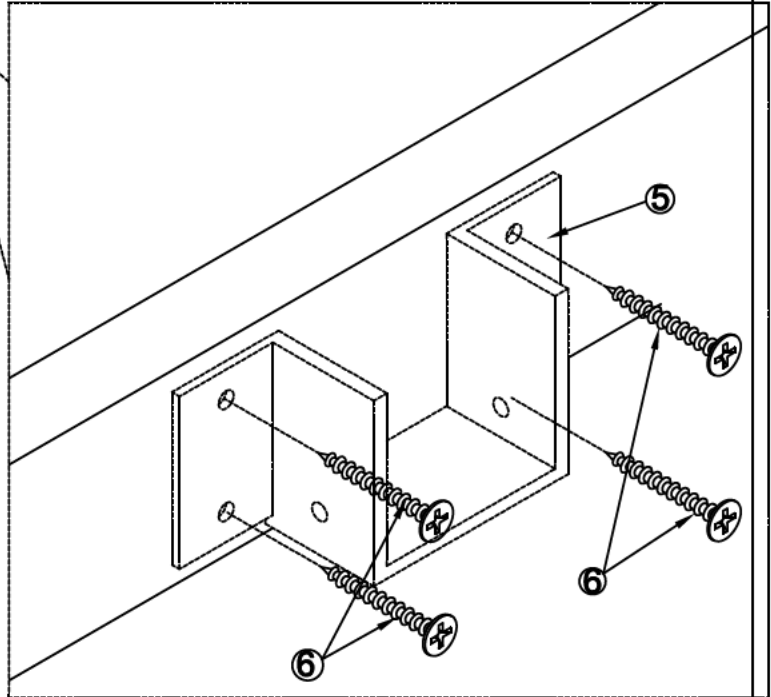
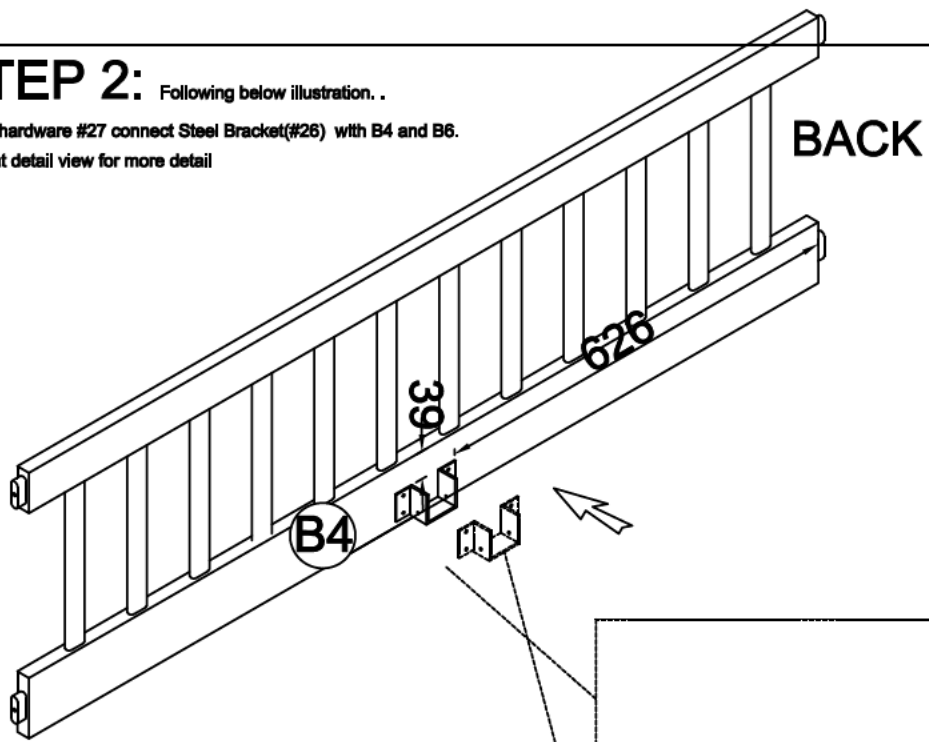
<p>3</p> 	<p>2</p> 	<p>1</p> 
<p>2x2pcs</p>	<p>4x2pcs</p>	<p>4x2pcs</p>
<p>15</p> 		
<p>2x2pcs</p>		



STEP 2: Following below illustration. .

Using hardware #27 connect Steel Bracket(#26) with B4 and B6.
Look at detail view for more detail

27	26
	
8pcs	2pcs



STEP 3: Following below Illustration Assembly Bottom bed's Headboard .

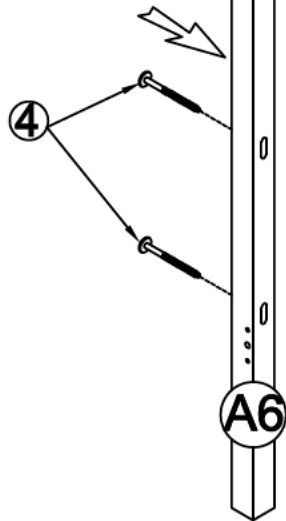
-Using hardware #4 connect B3 Frame with A6,A7 Legs

-Using hardware #3 connect B3 Frame with A5,A8 Legs

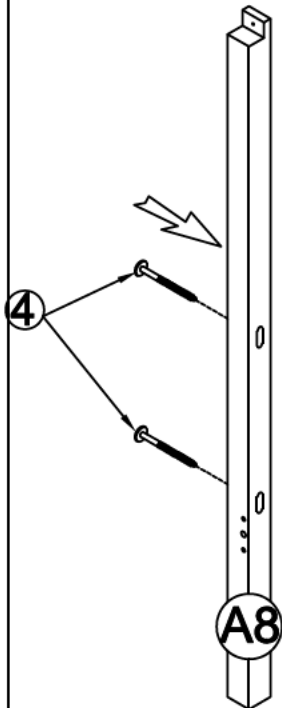
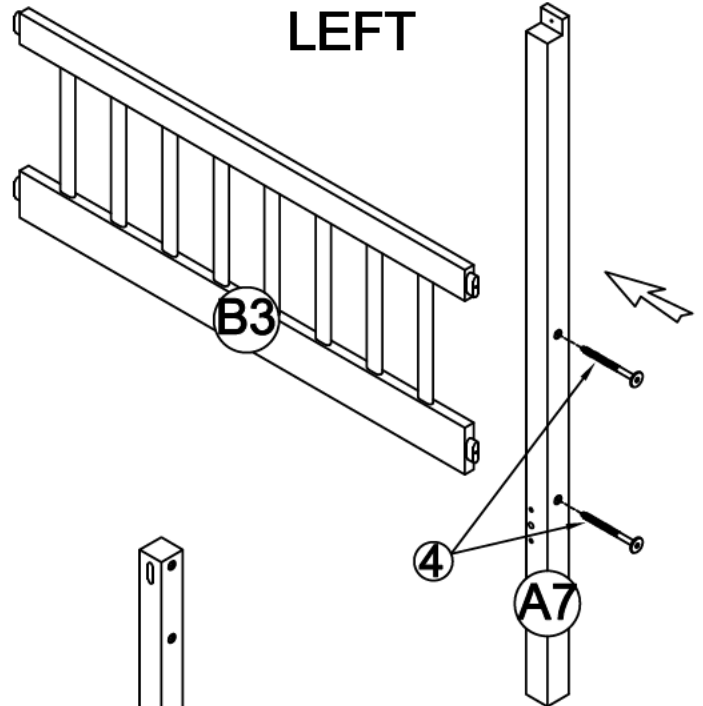
4



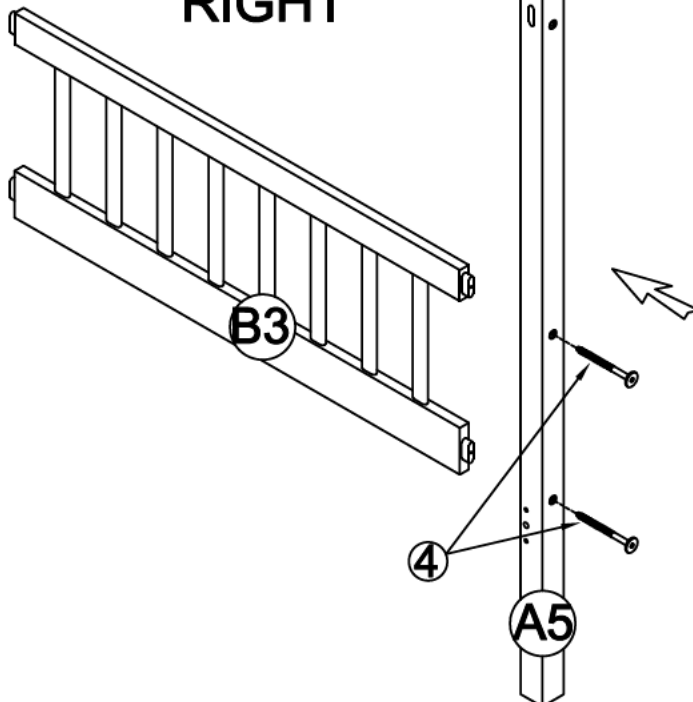
4x2pcs



LEFT




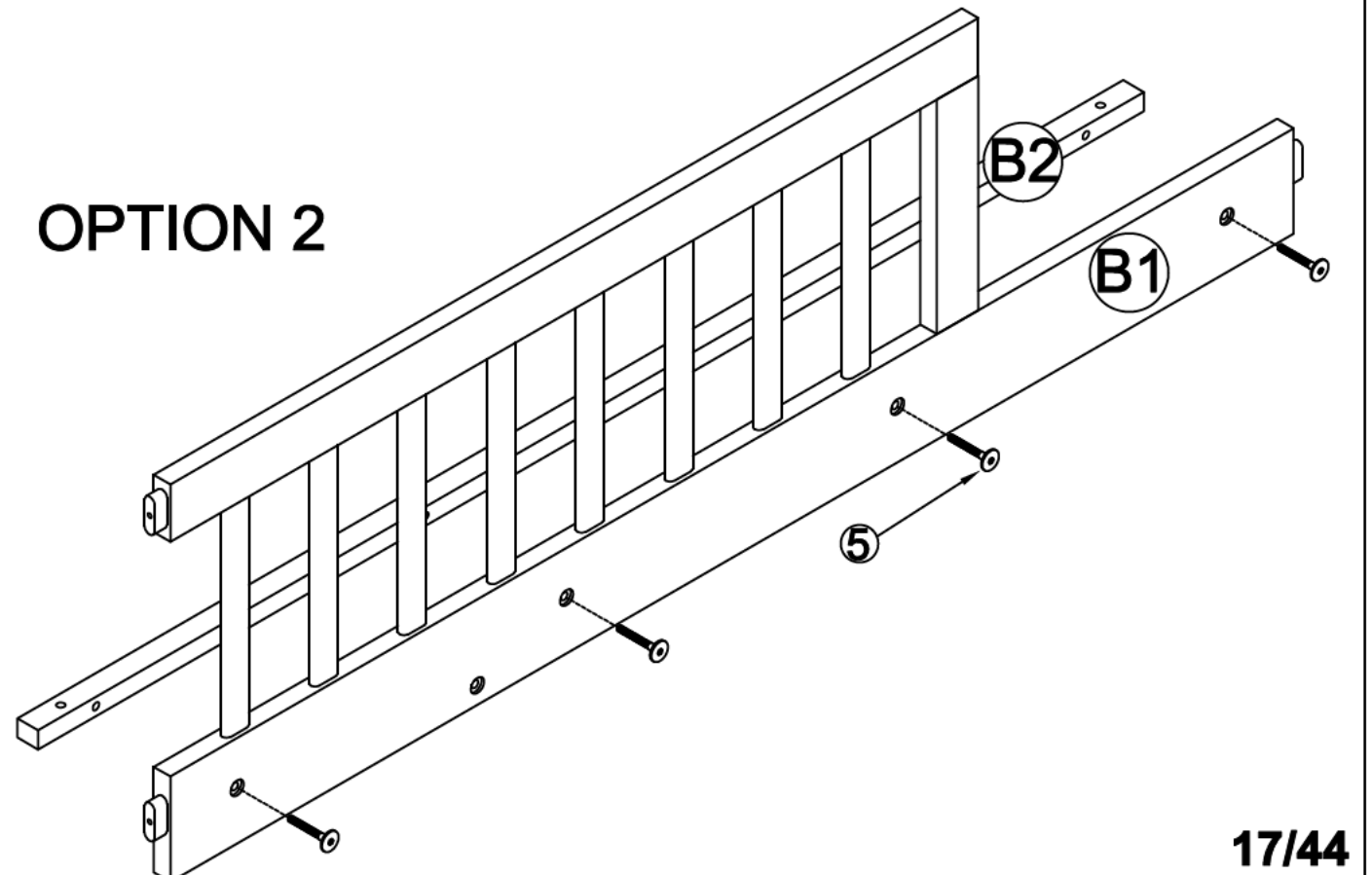
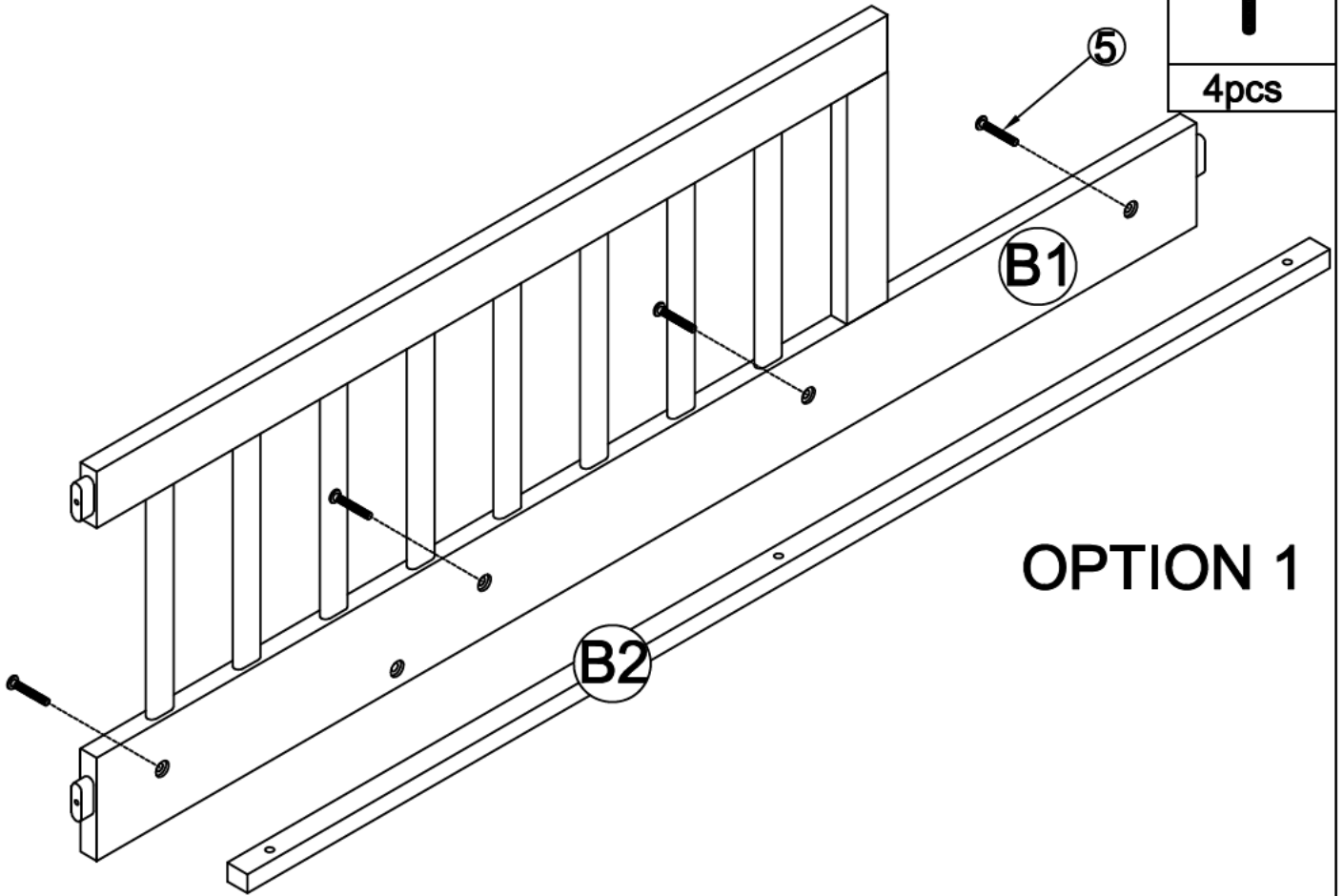
RIGHT



STEP 4: Following below Illustration:

-Using hardware #5 connect B2 Woodbar with B1 Frame

5

4pcs



STEP 5(OPTION 1): Following below illustration

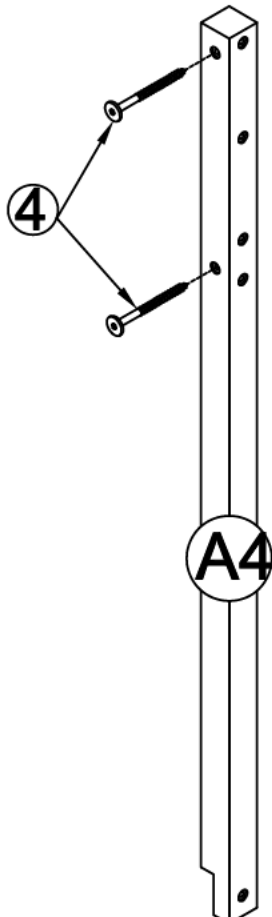
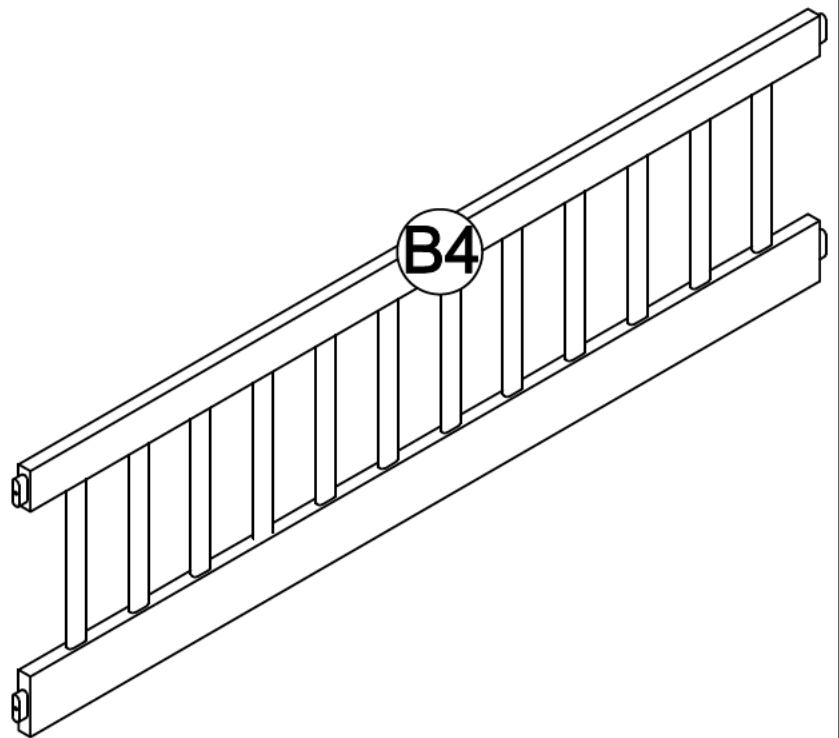
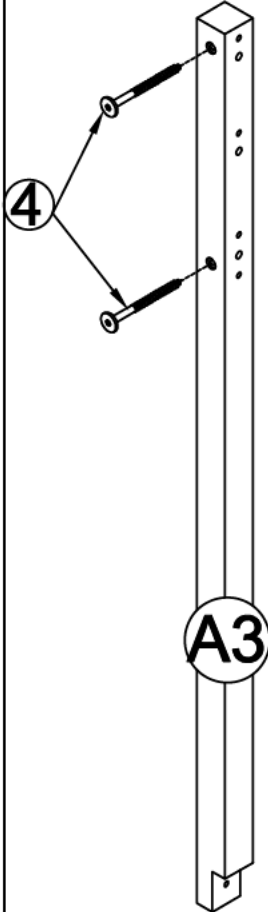
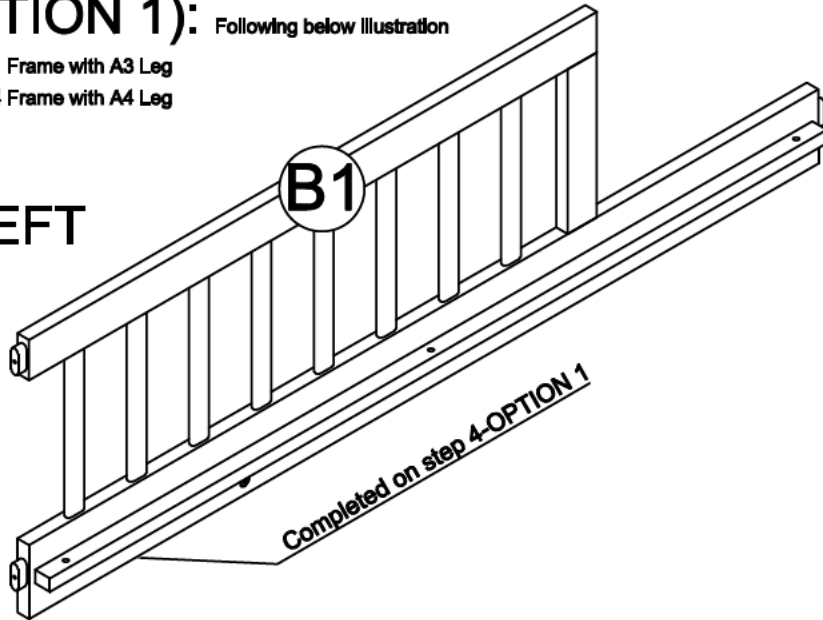
- Using hardware #4 connect B1 Frame with A3 Leg
- Using hardware #4 connect B4 Frame with A4 Leg

4



4pcs

LEFT



RIGHT

STEP 5(OPTION 2): Following below illustration

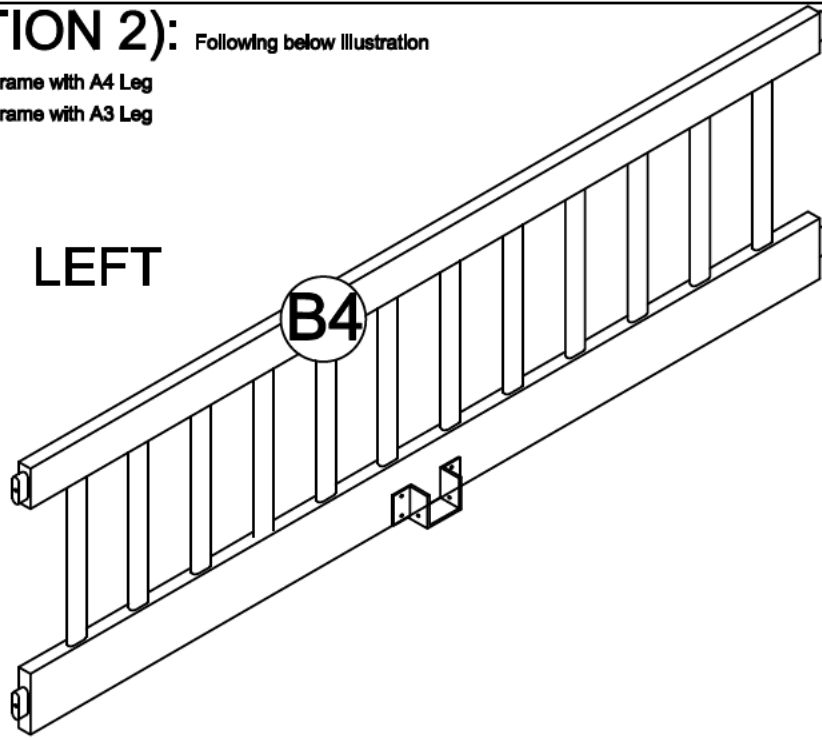
- Using hardware #4 connect B1 Frame with A4 Leg
- Using hardware #4 connect B4 Frame with A3 Leg

4



4pcs

LEFT

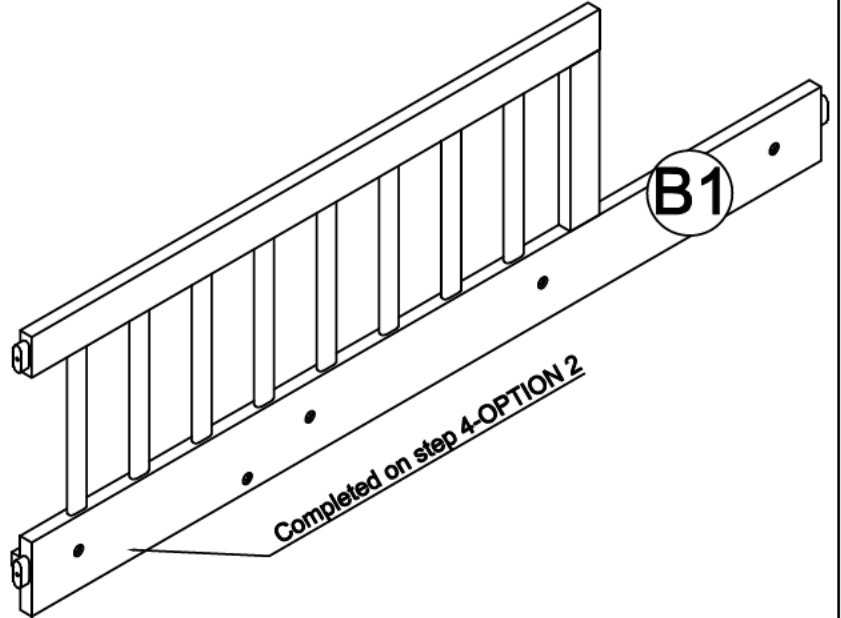


4

A3

4

A4



B1

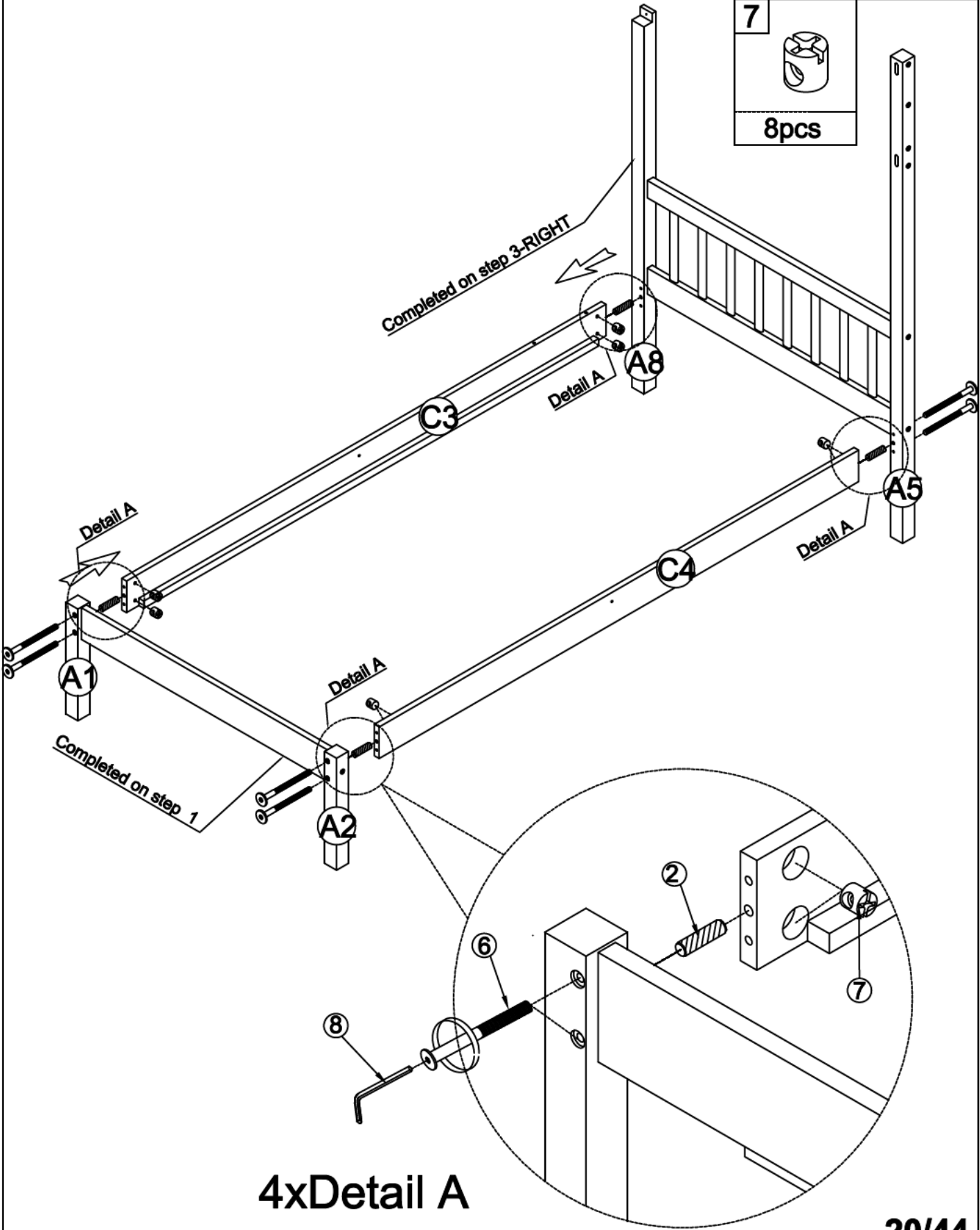
Completed on step 4-OPTION 2

RIGHT

STEP 6: Following below illustration:

-Using hardware #6, #7 and dowel #2 to Assembly Frames (Completed on step 1,3) with siderall C3,C4.
 -Look at detail view for more detail

6	2
8pcs	4pcs
7	
8pcs	



4xDetail A

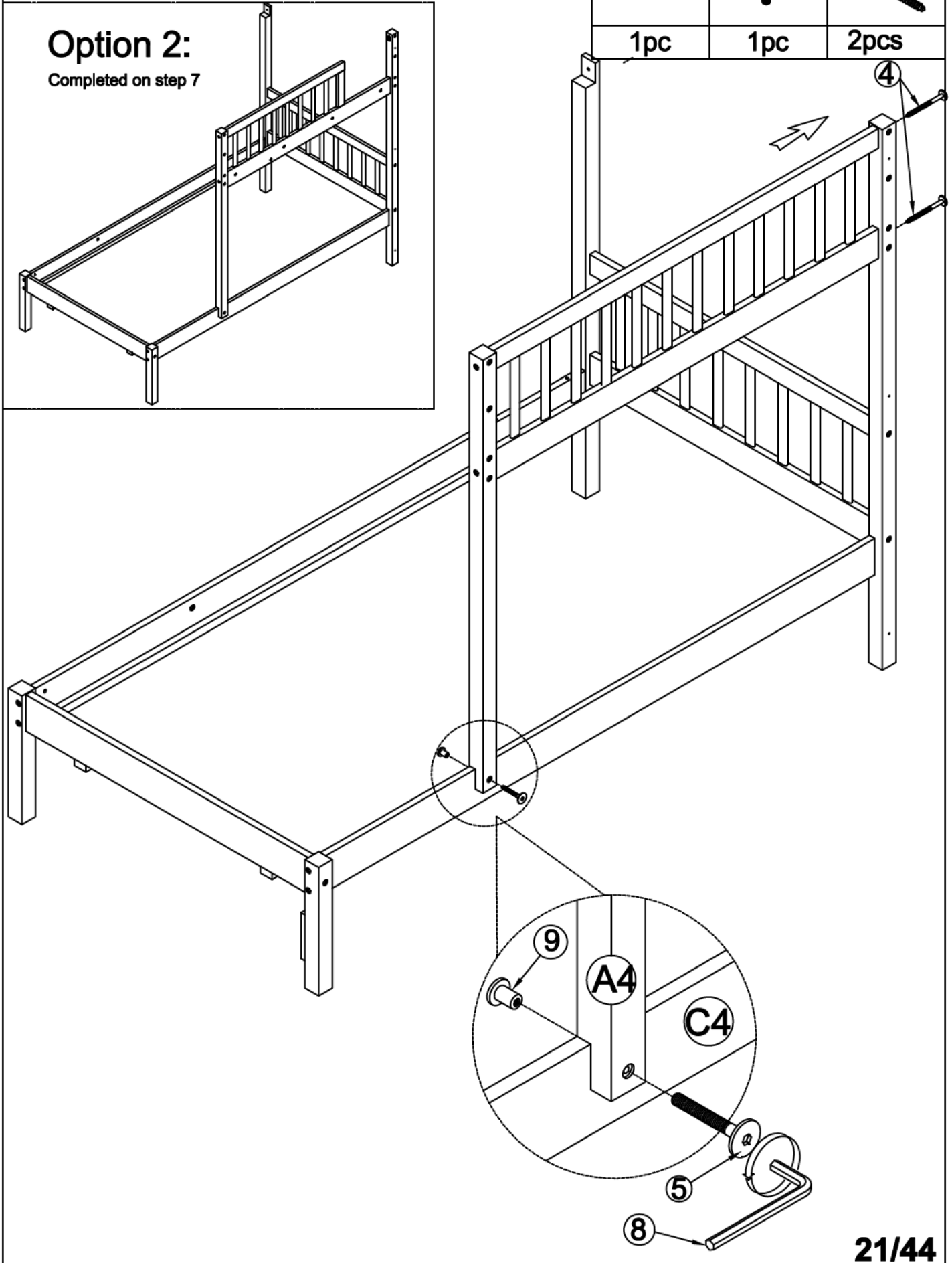
STEP 7: Following below Illustration

-Using hardware #4,#5,#9 connect Frame(completed on step 5 OPTION 1-RIGHT) with Frame (completed on step 6)

9	5	4
1pc	1pc	2pcs

Option 2:

Completed on step 7



STEP 8:

Following below illustration:

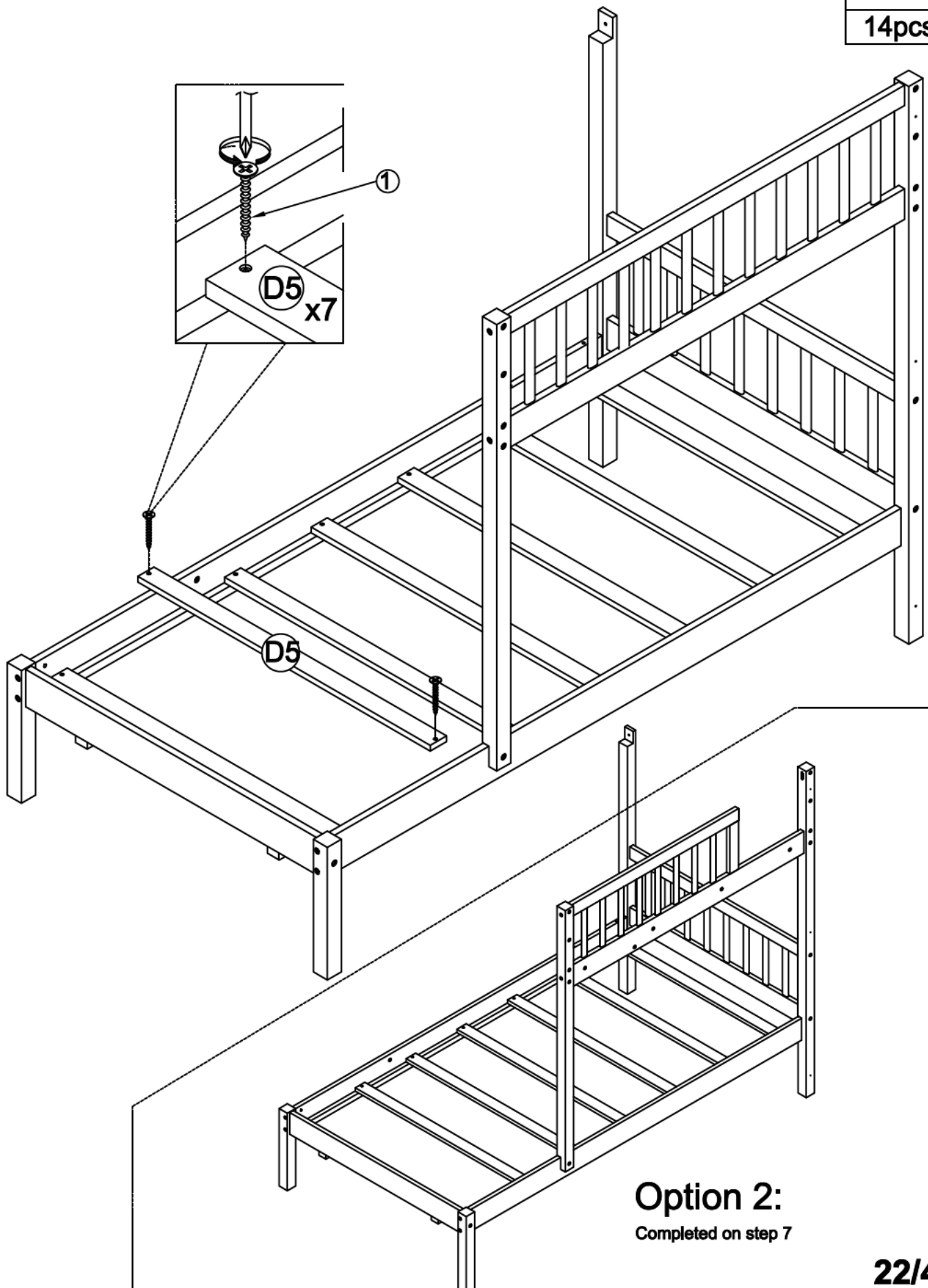
-Screw 7 slats D5 with Side Rail C3,C4 by using hardware #1.

-Look at detail view for more detail

1



14pcs



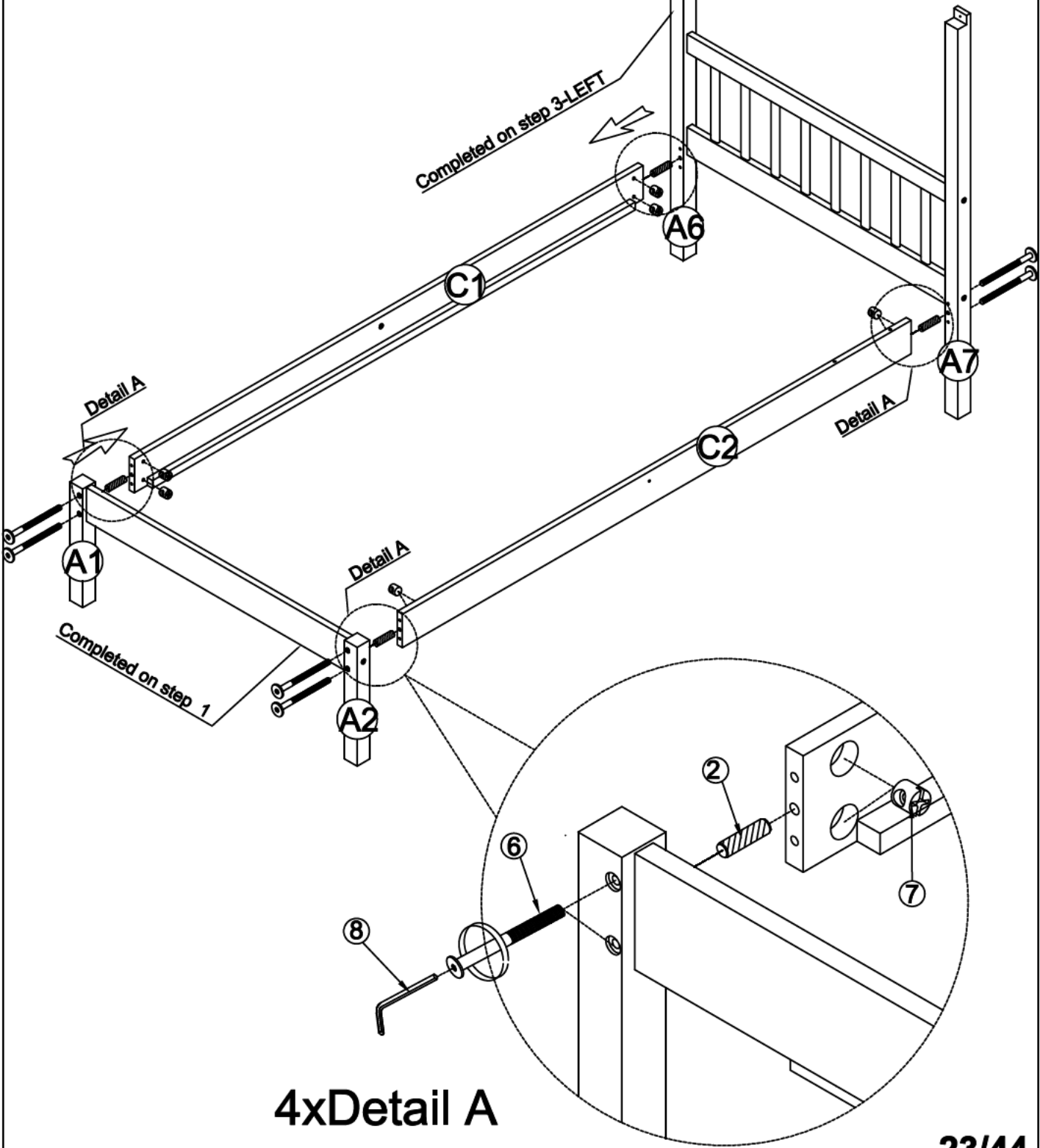
Option 2:

Completed on step 7

STEP 9: Following below illustration:




-Using hardware #6, #7 and dowel #2 to Assembly Frames (Completed on step 1,3) with siderall C1,C2.
 -Look at detail view for more detail

6	2
8pcs	4pcs
7	
8pcs	



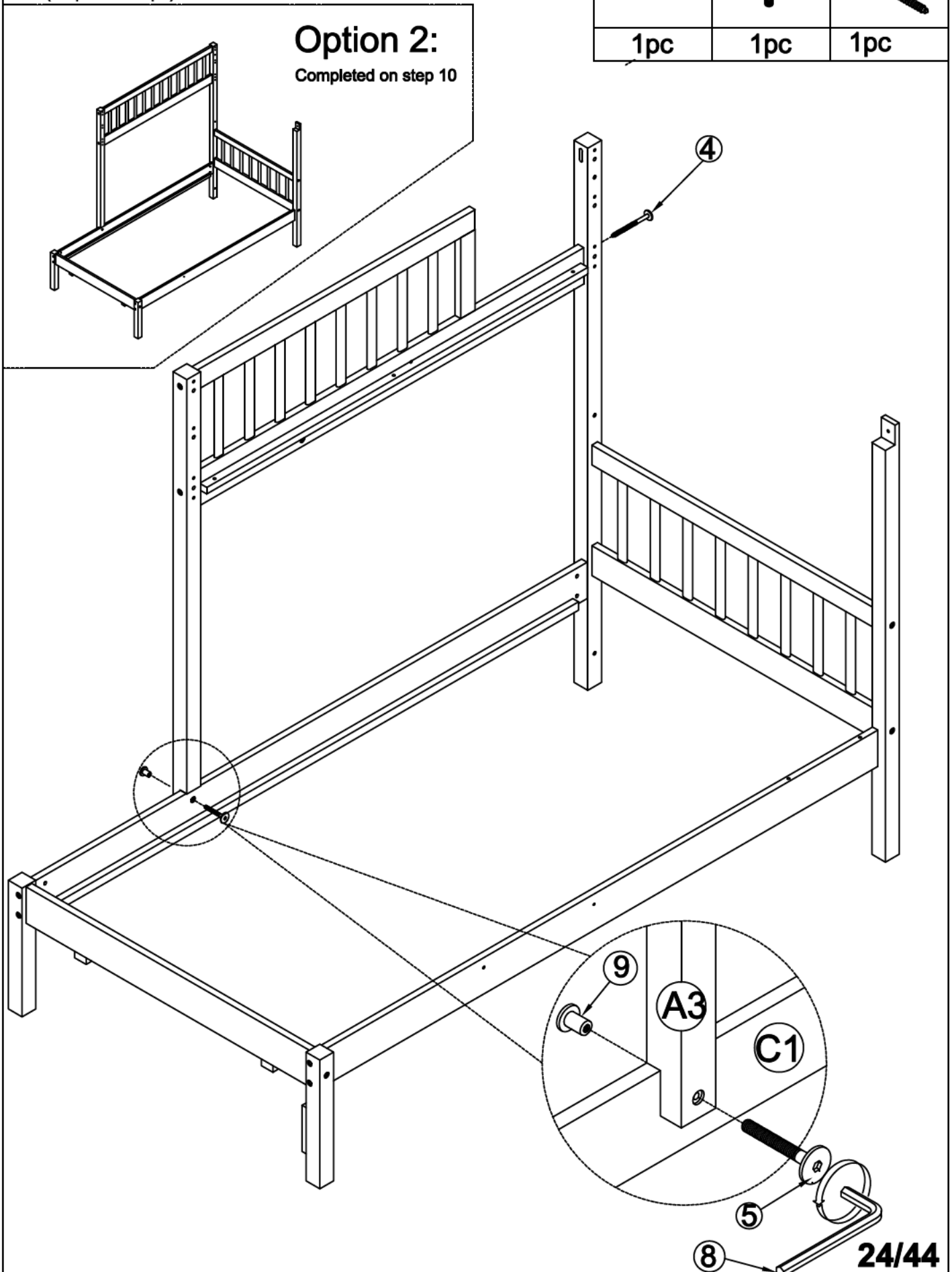
STEP 10: Following below illustration

-Using hardware #4,#5,#9 connect Frame(completed on step 5 OPTION 1-LEFT) with Frame (completed on step 9)

9	5	4
		
1pc	1pc	1pc

Option 2:

Completed on step 10



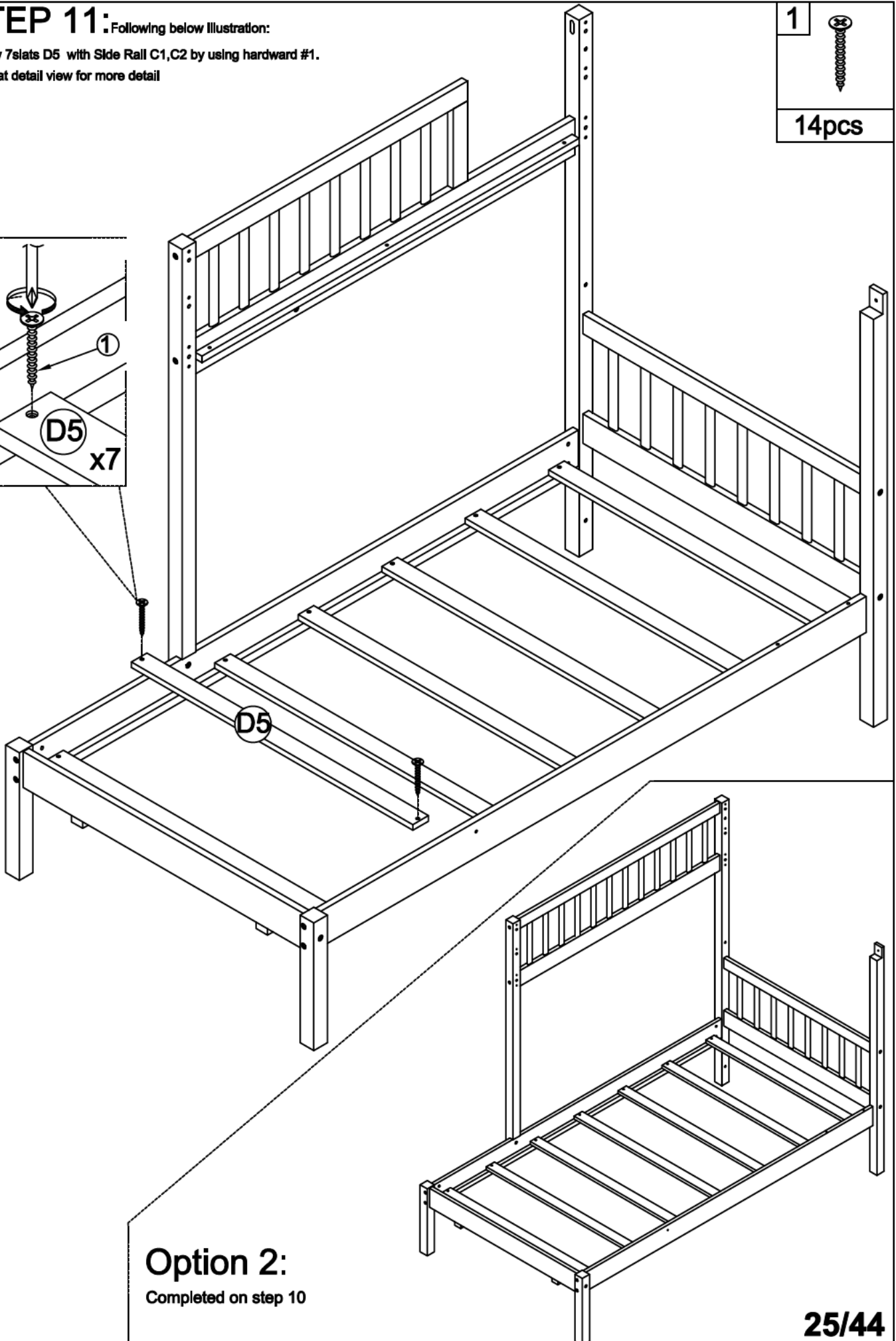
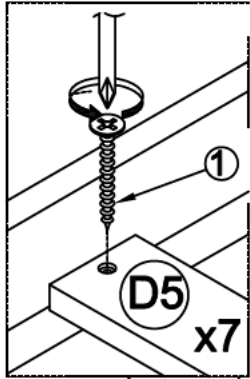
STEP 11: Following below illustration:

- Screw 7 slats D5 with Side Rail C1,C2 by using hardware #1.
- Look at detail view for more detail

1



14pcs



Option 2:

Completed on step 10

25/44

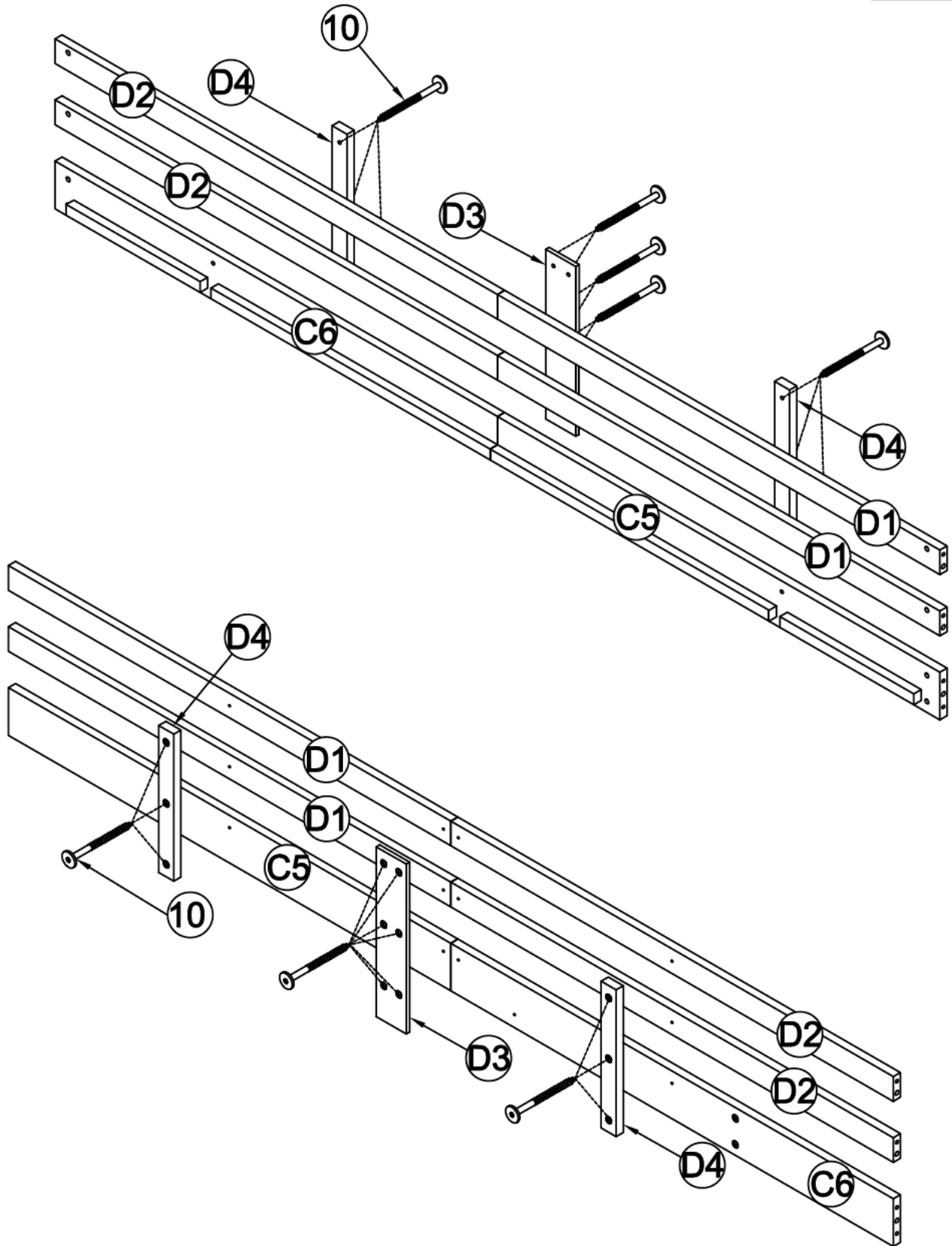
STEP 12: Following below illustration:

- Using hardware #10 connect Side Rails C5,C6 and Guardrails D1(x2) ,D2(x2) with Rails D3,D4(x2)
- Using hardware #10 connect Side Rails C5,C6 and Guardrails D1(x2) ,D2(x2) with Rails D3,D4(x2)
- Look at detail view for more detail

10







24pcs

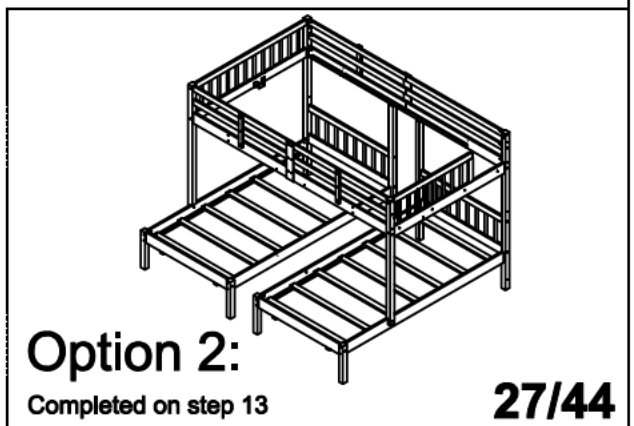
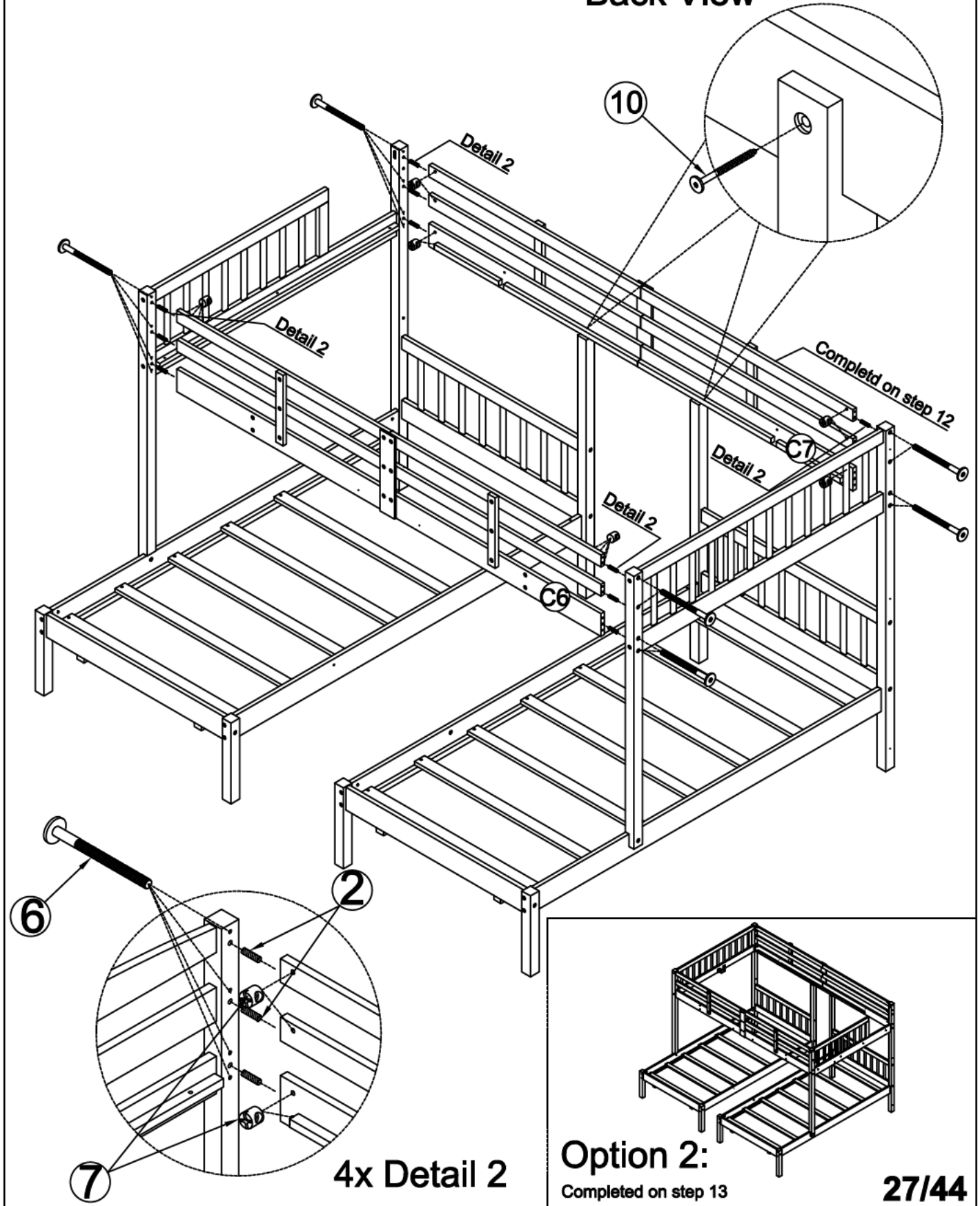


STEP 13: Following below illustration:

-Using hardware #6,#7,#10 and dowel #2 connect Frames
 (Completed on step 8,11) with Frame (Completed on step 12).
 -Look at detail view for more detail

10	7	6	2
			
2pcs	16pcs	16pcs	12pcs

Back View







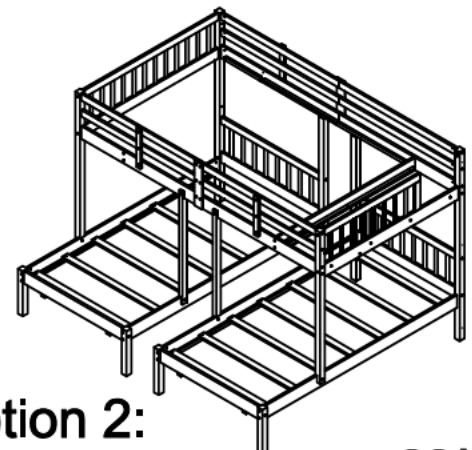
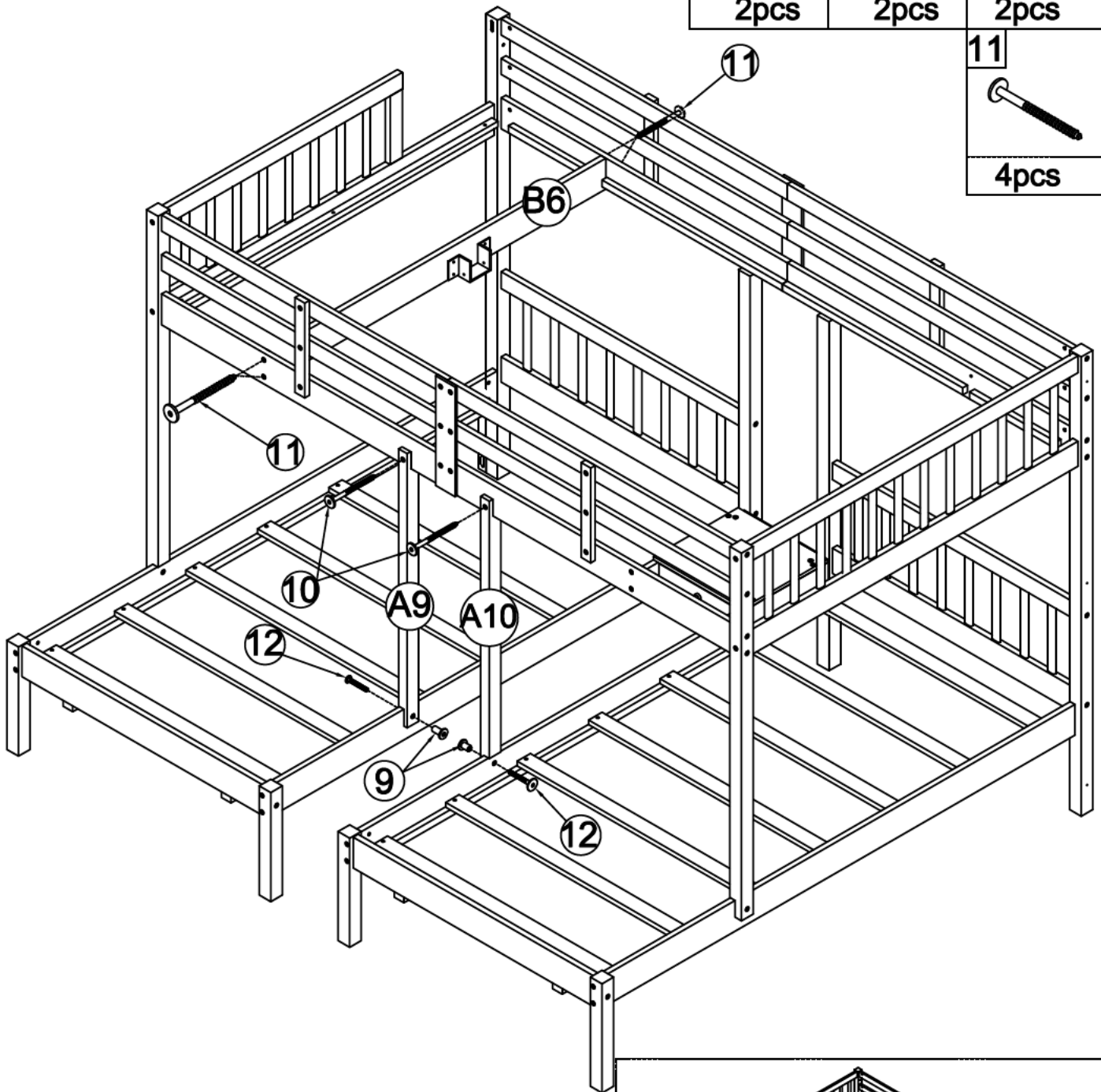
STEP 14:

Following below illustration:

-Using hardware #11 connect Frame (completed on step 13) with B6 Frame

-Using hardware #9,#10,#12 connect Frame (Completed on step 13) with A9,A10 Legs

<p>9</p>  <p>2pcs</p>	<p>12</p>  <p>2pcs</p>	<p>10</p>  <p>2pcs</p>
<p>11</p>  <p>4pcs</p>		



Option 2:

Completed on step 14

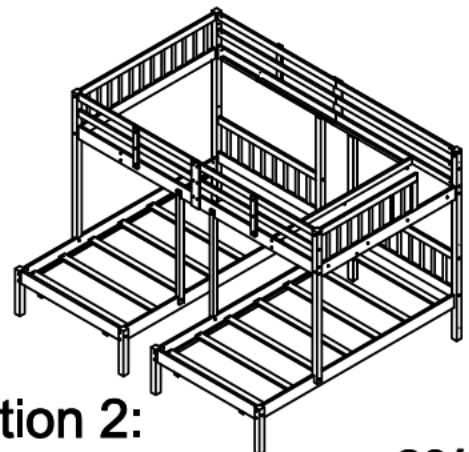
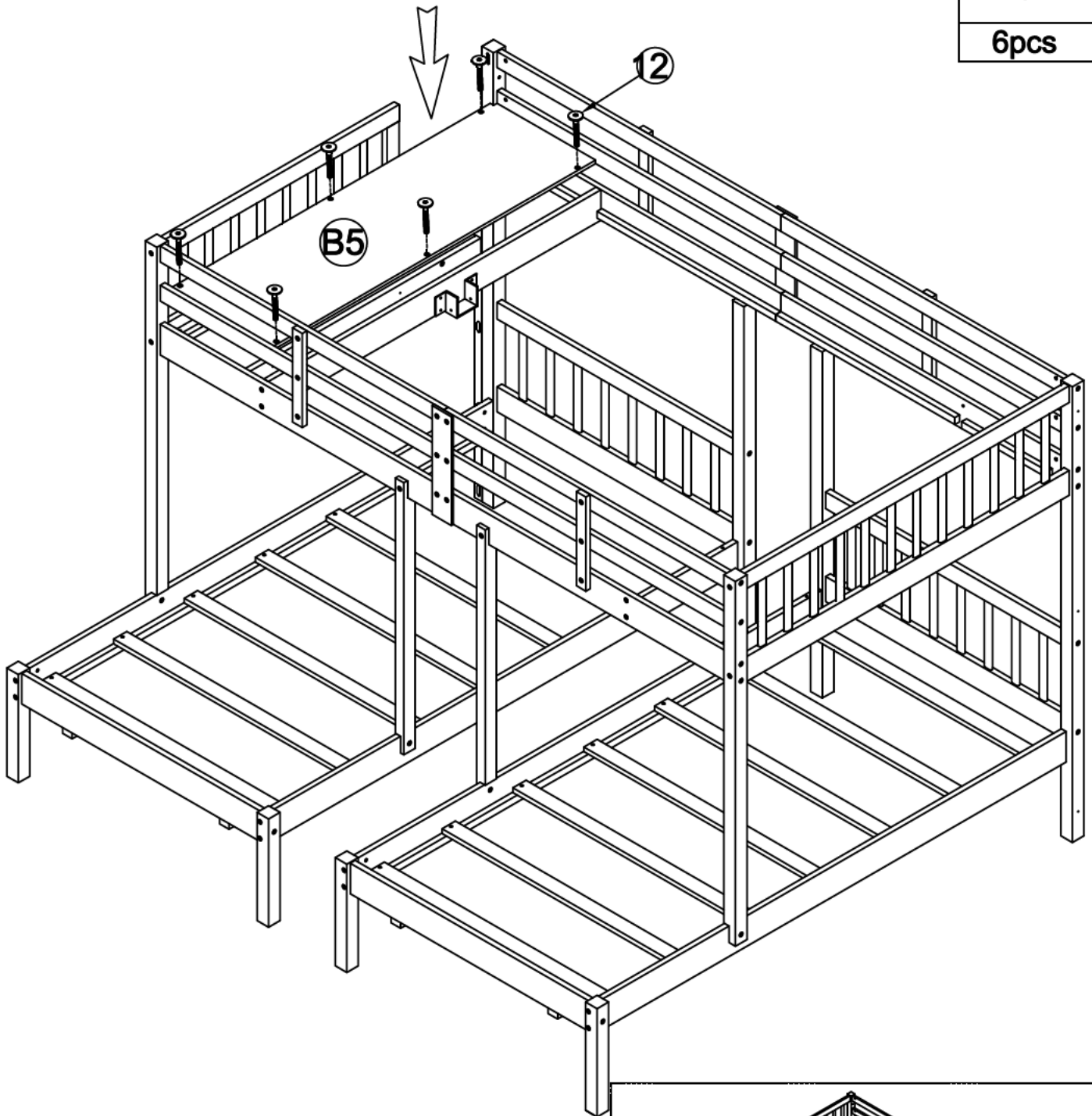
STEP 15: Following below illustration

-Using hardware #12 connect Frame (completed on step 14) with Panel B5

12



6pcs



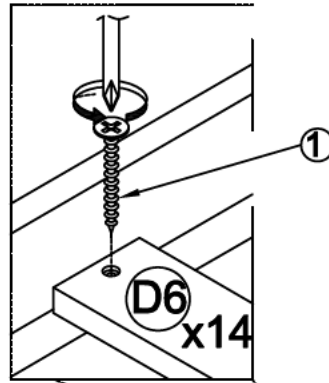
Option 2:

Completed on step 14

29/44

STEP 16: Following below illustration:

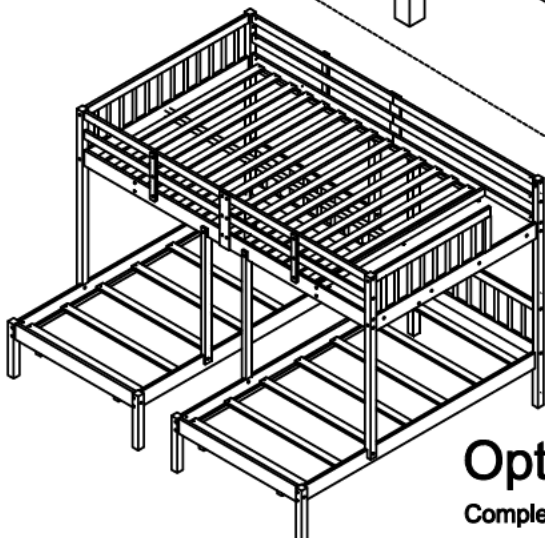
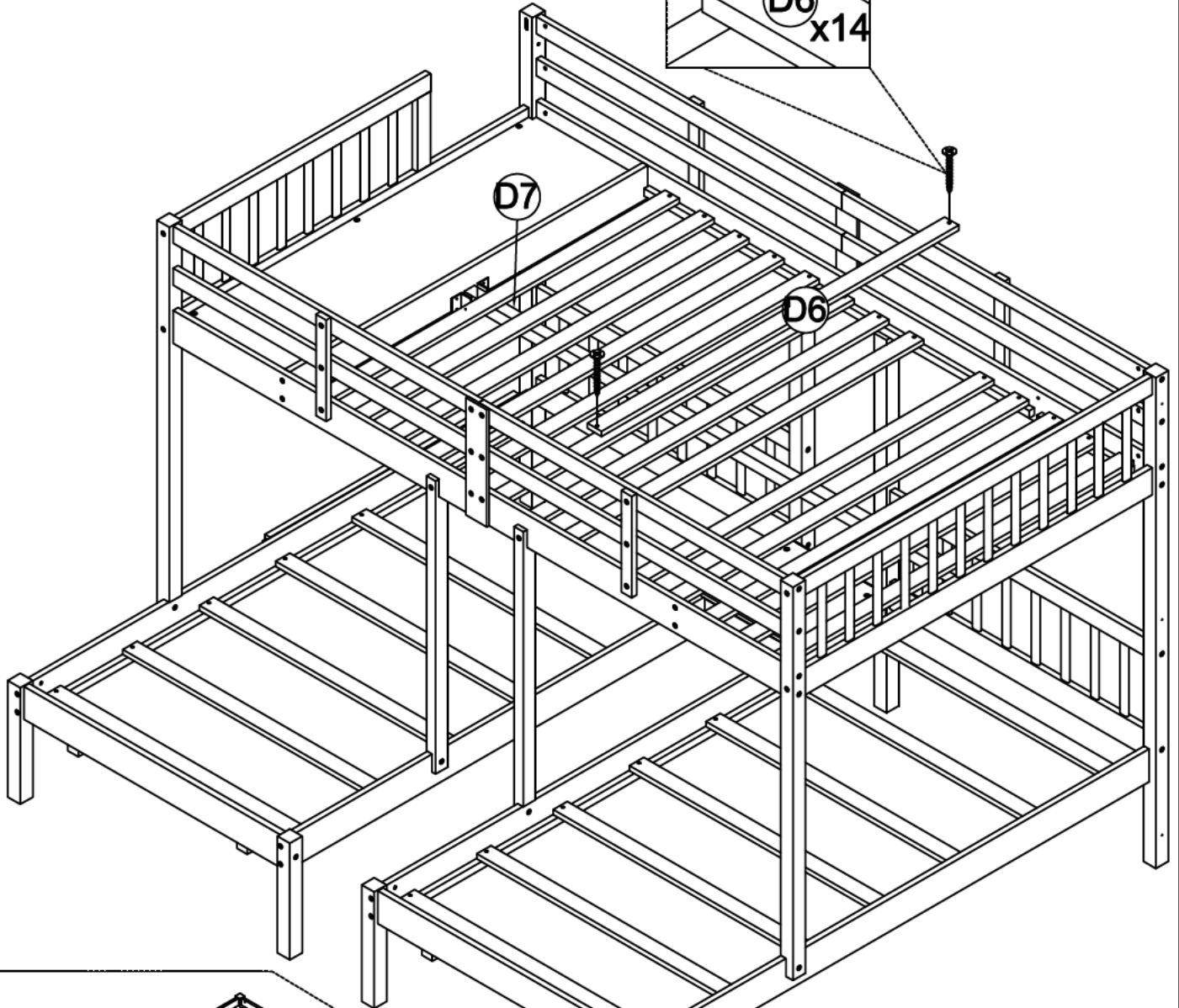
- Put Support Slat (D7) on Bracket
- Screw 14 slats D6 with Side Rail C5,C6 by using hardware #1.
- Look at detail view for more detail



1



28pcs



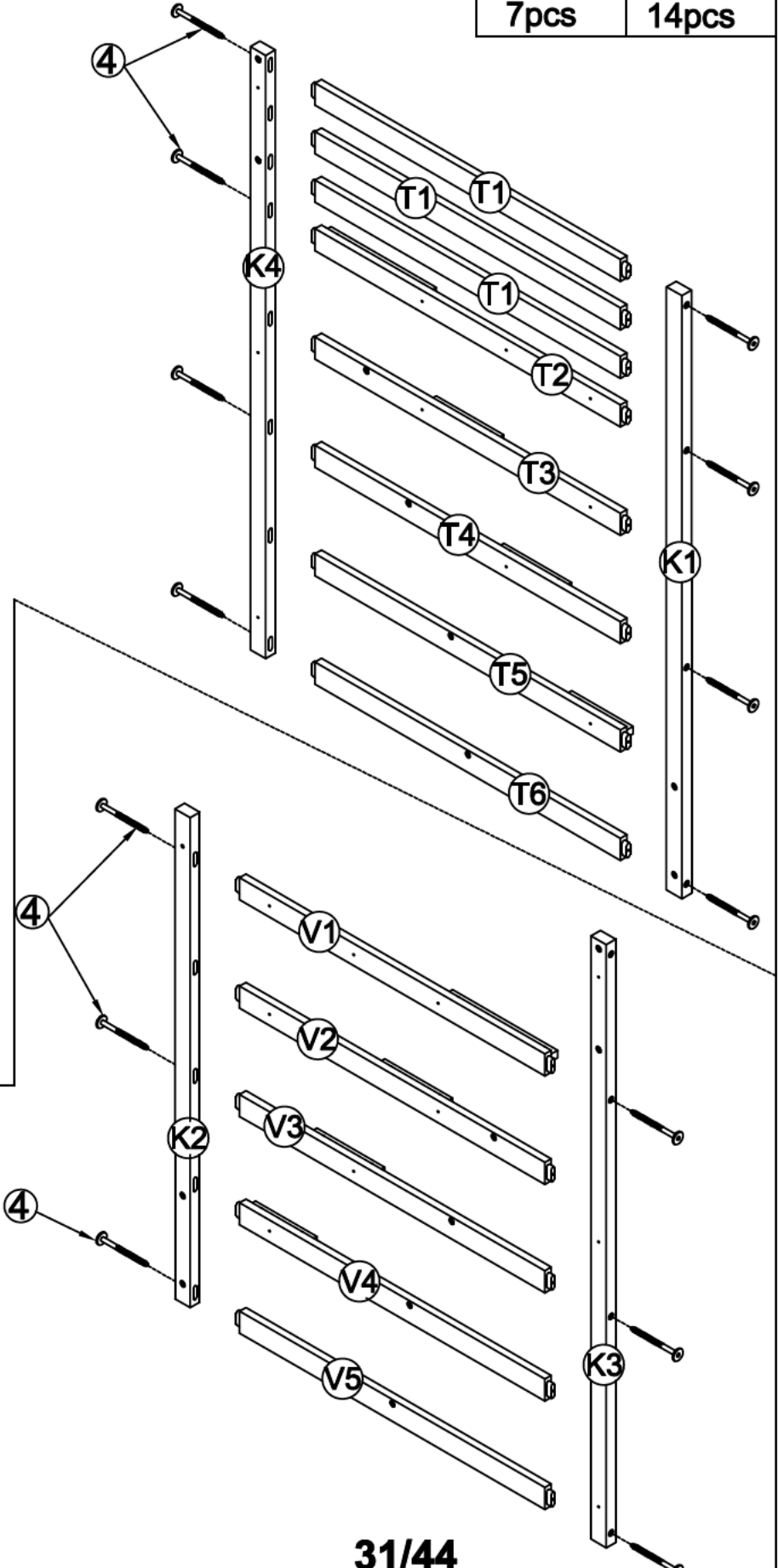
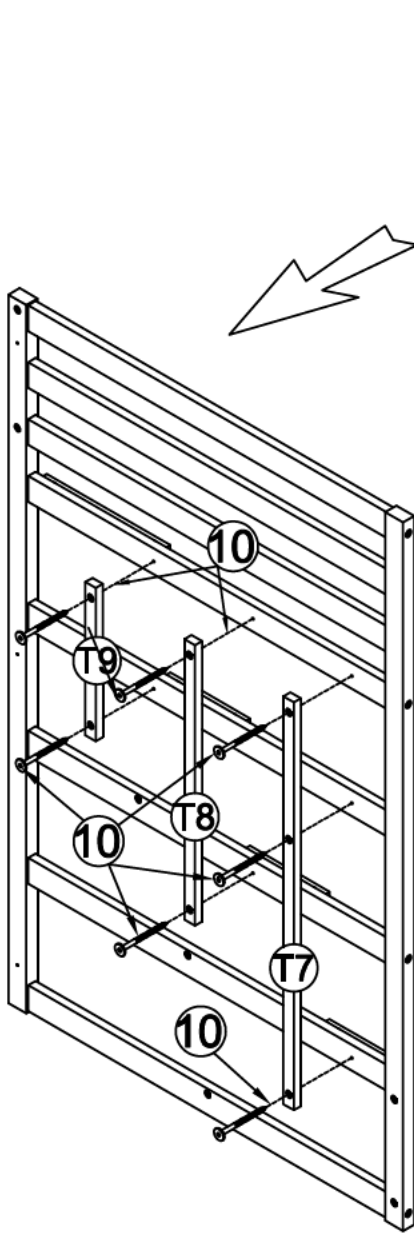
Option 2:
Completed on step 16

30/44

STEP 17(OPTION 1): Following below Illustration:

- 17.1: Using hardware #4 connect K1, K4 Legs with T1(x3), T2, T3, T4, T5 Wood Bars
- 17.2: Using hardware #10 connect Frame (completed on step 17.1) with T7, T8, T9 Wood Bars
- 17.3: Using hardware #4 connect K2, K3 Legs with V1, V2, V3, V4, V5 Wood Bars

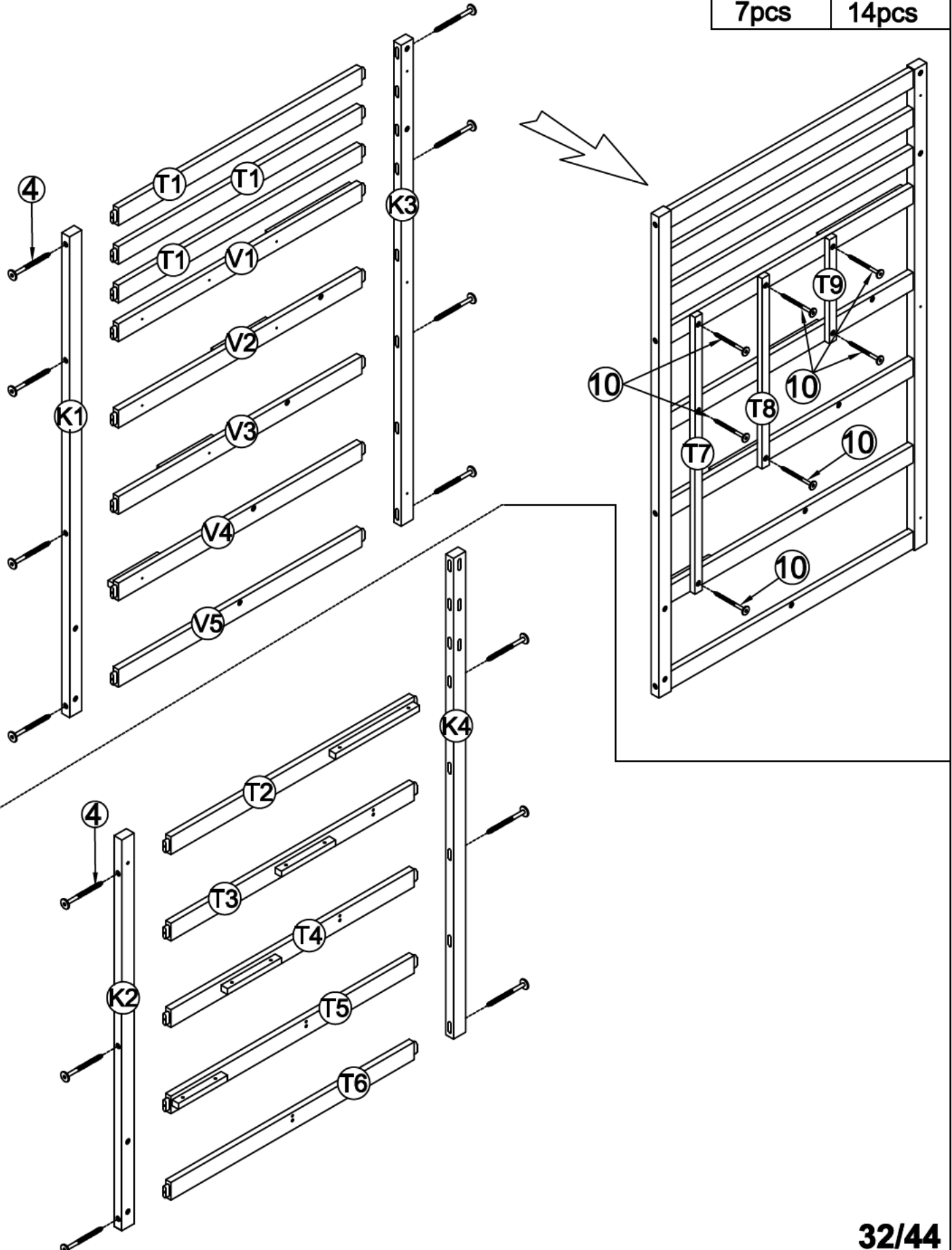
10	4
7pcs	14pcs



STEP 17(OPTION 2):




- Following below Illustration:
 -17.1:Using hardware #4 connect K1,K3 Legs with T1(x3),V1,V2,V3,V4,V5 Wood Bars
 -17.2:Using hardware #10 connect Frame(completed on step 17.1) with T7,T8,T9 Wood Bars
 -17.3:Using hardware #4 connect K2,K4 Legs with T2,T3,T4,T5,T6 Wood Bars

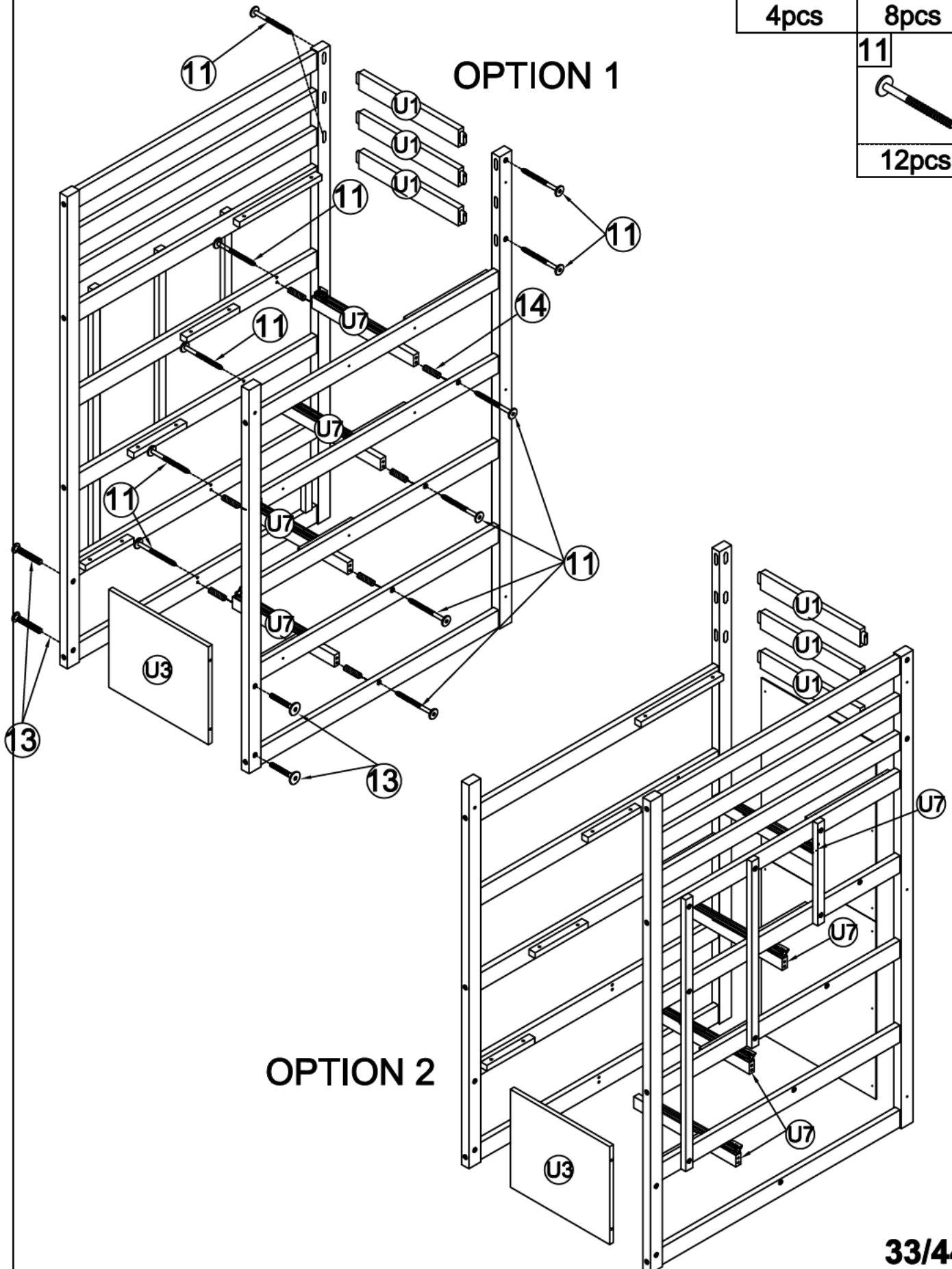
10	4
7pcs	14pcs



STEP 18: Following below illustration:

-Using hardware #11, #13 and Dowel 14 connect U1(x3), U7(x4) Wood Bars and U3 Panel with Frames (completed on step 17)



13  4pcs	14  8pcs
11  12pcs	

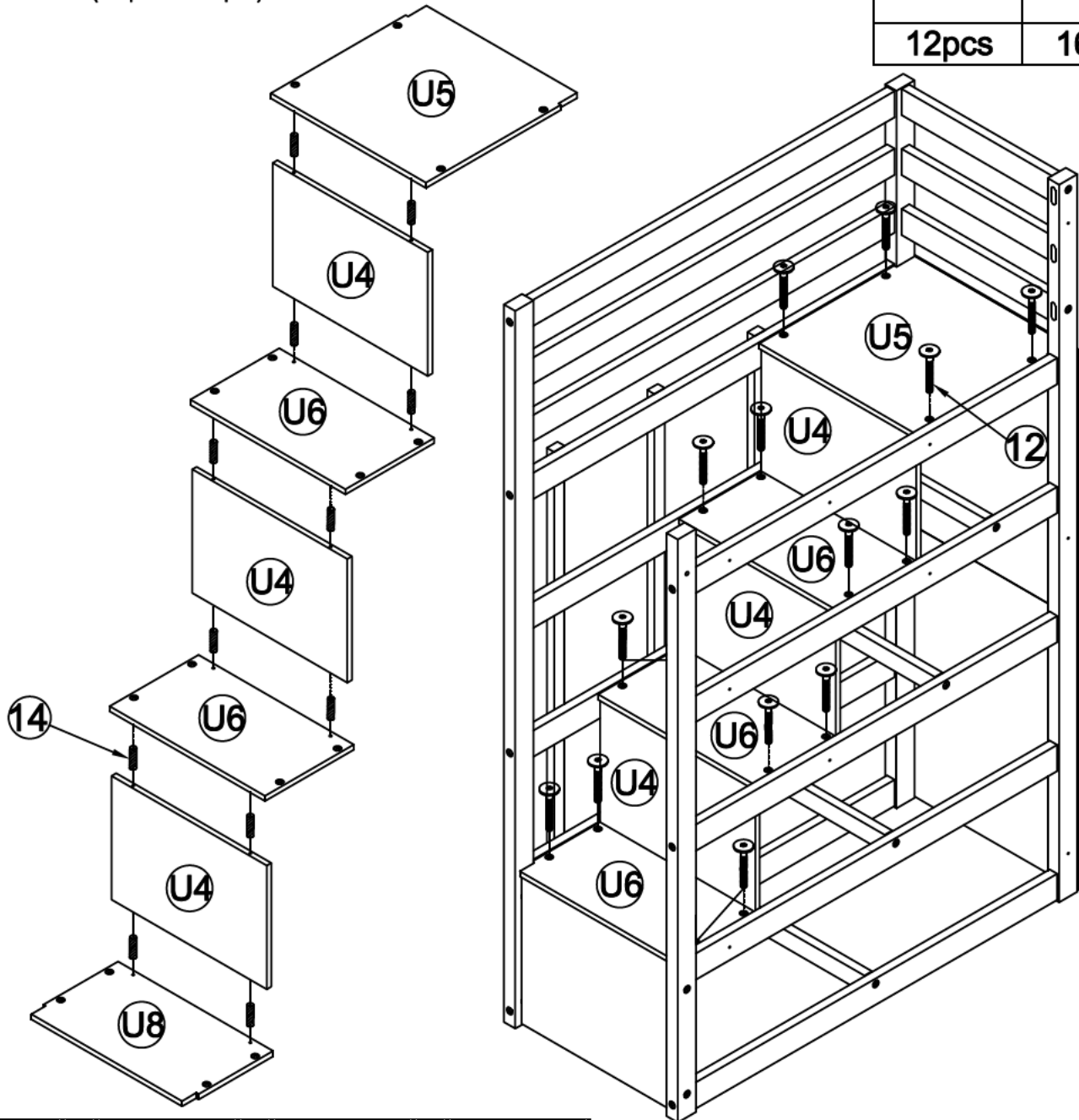


STEP 19:

Following below illustration:

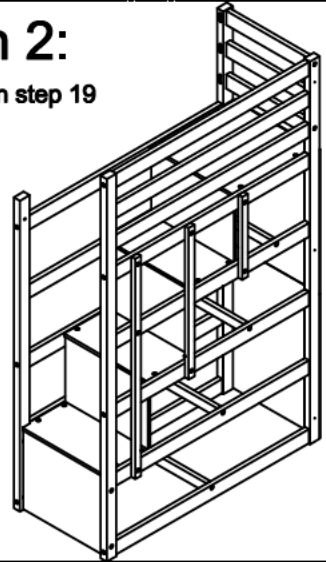
-Using hardware #12 and Dowel 14 connect U5,U4(x3),U6(x2),U8 Panels with Frame(completed on step 18) with Frames(completed on step 18)

14		12	
	12pcs		16pcs



Option 2:

Completed on step 19



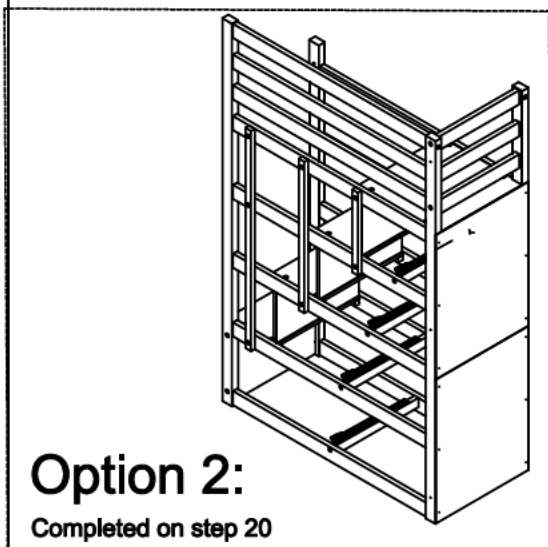
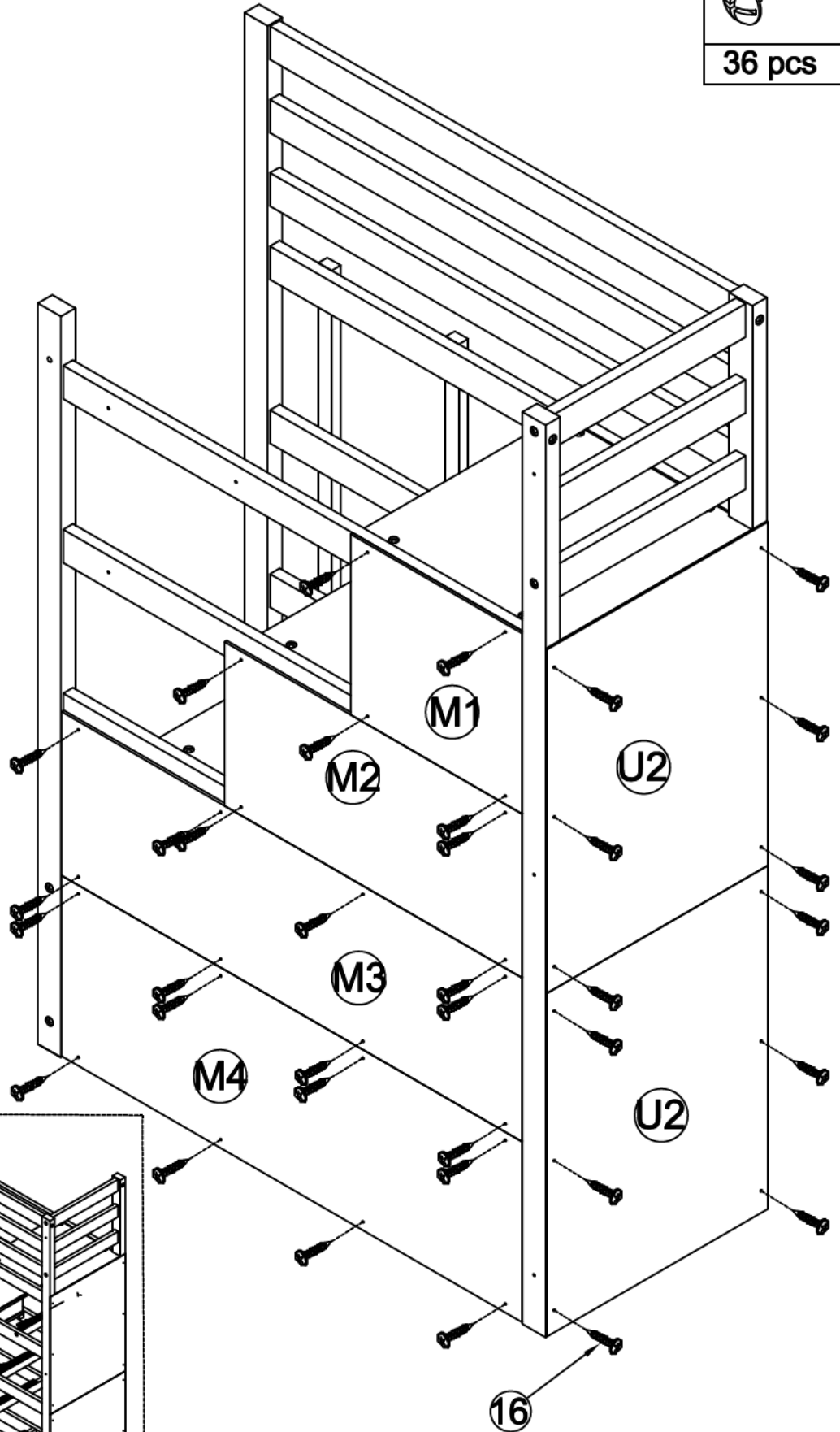
STEP 20: Following below illustration:

-Using hardware #16 connect U2(x2),M1,M2,M3,M4 Panels with Frame(completed on step 19)

16



36 pcs



Option 2:



Completed on step 20

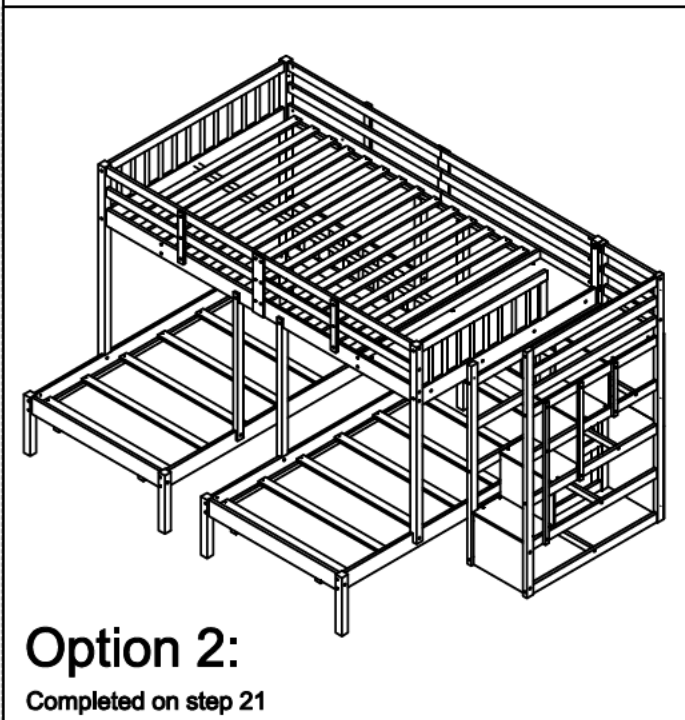
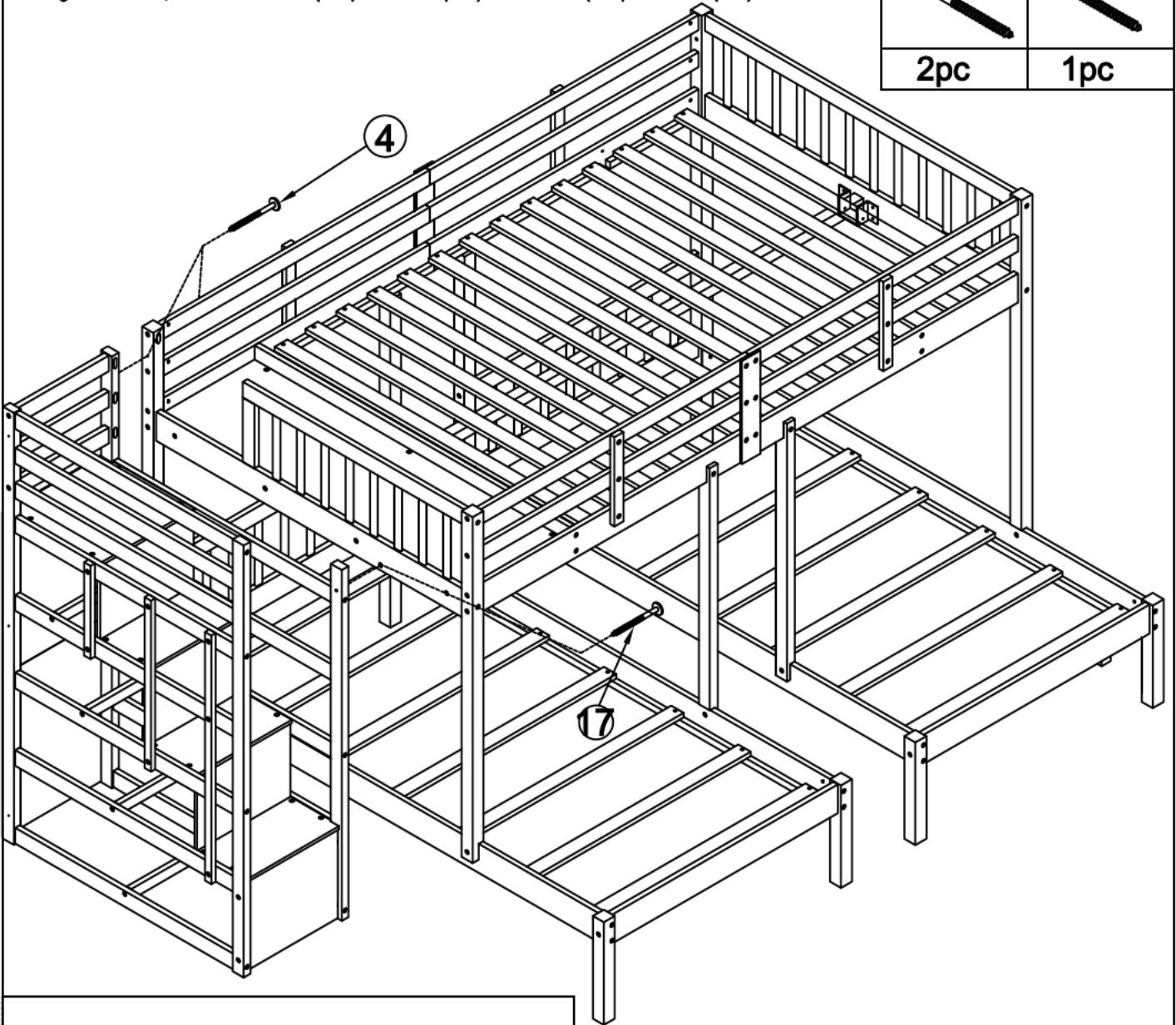
35/44

STEP 21:

Following below illustration:

-Using hardware #4,#17 connect Frame(completed on step 16) with Frames(completed on step 20)

4	17
	
2pc	1pc





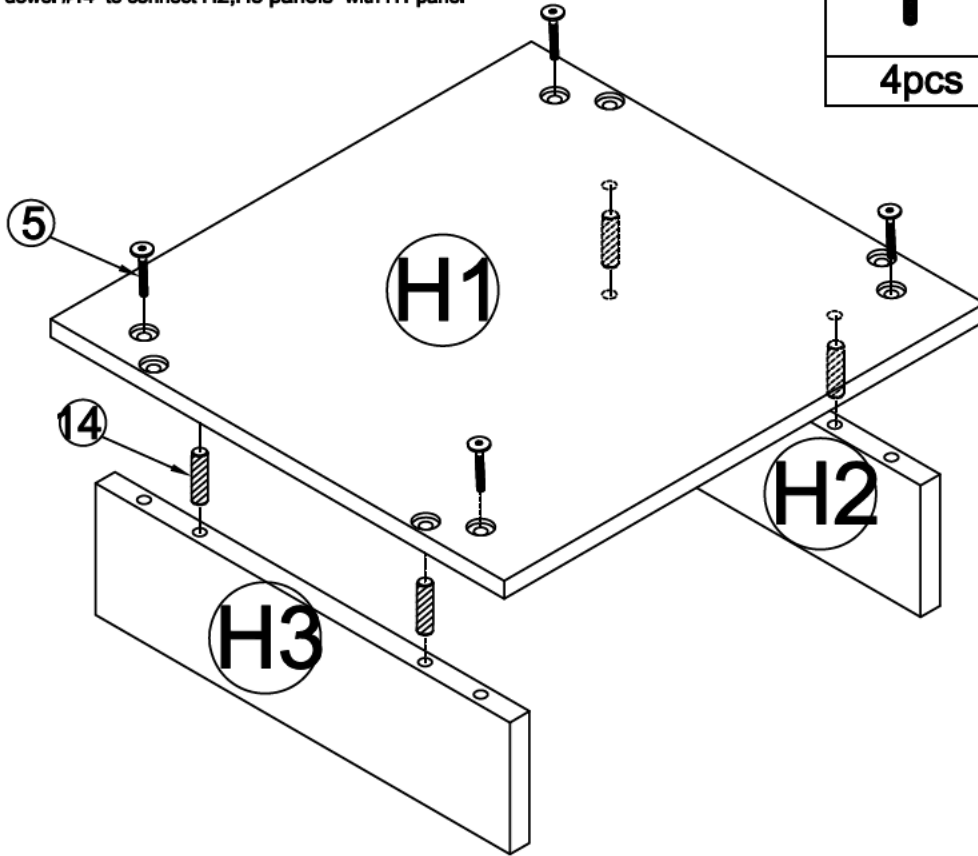
Option 2:

Completed on step 21

STEP 22-1: Following below illustration:


-Using hardware #12 and dowel #14 to connect H2,H3 panels with H1 panel

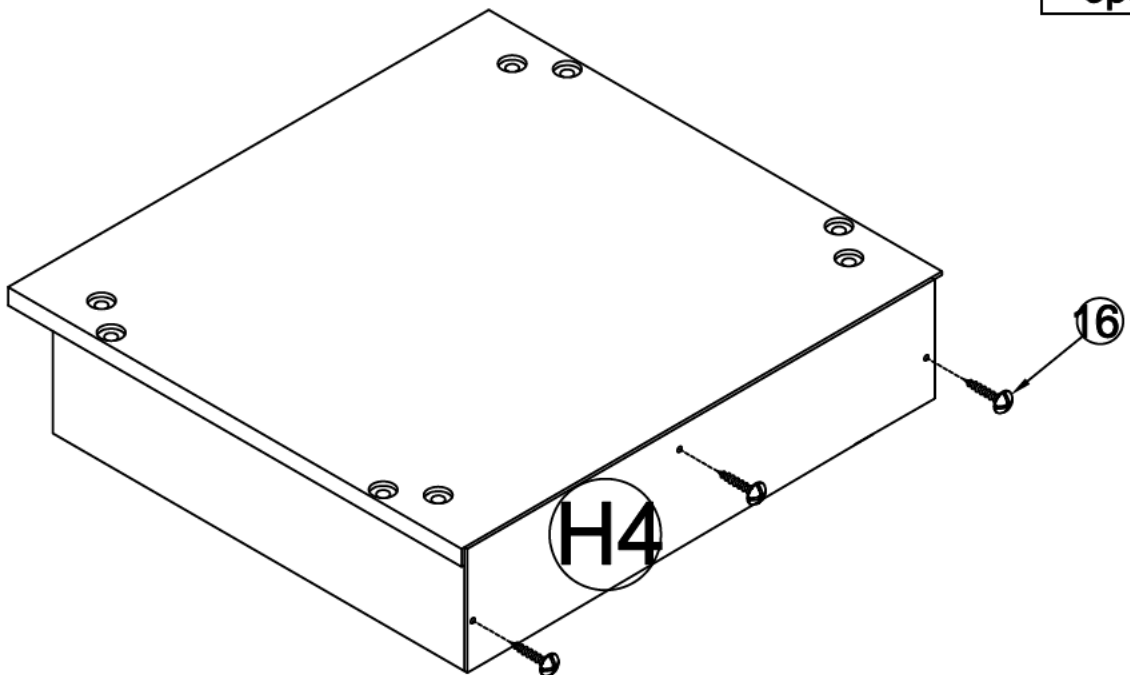
12		14	
4pcs		4pcs	



STEP 22-2: Following below illustration:

-Using hardware #16 to connect Frame(completed on step 22-1) with Back panel H4

16	
3pcs	



STEP 23:

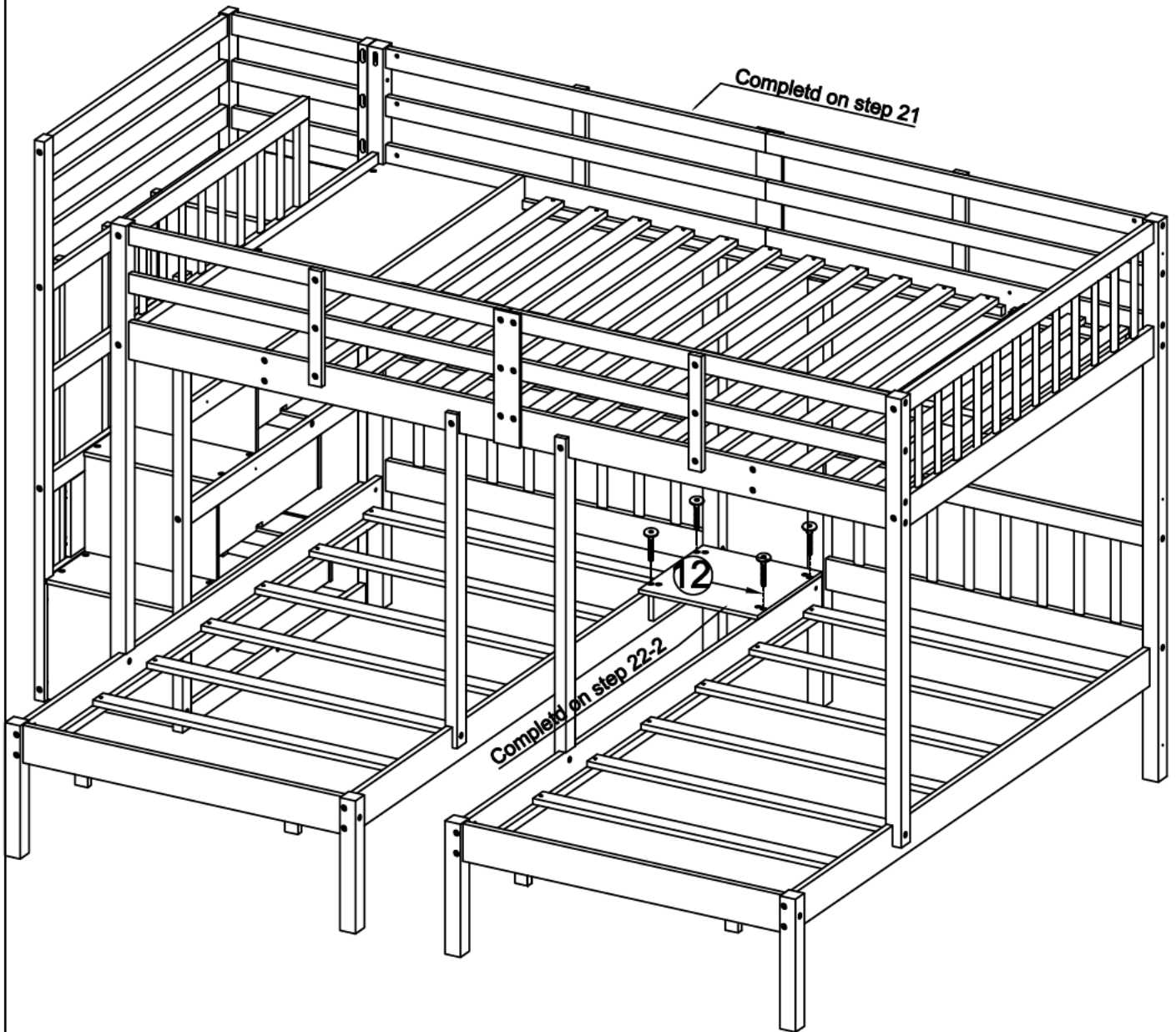
Following below illustration:

-Using hardward #12 connect Frame (completed on step 21) with Frame (completed on step 22-2)

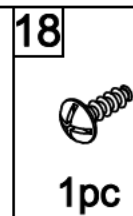
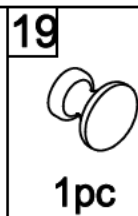
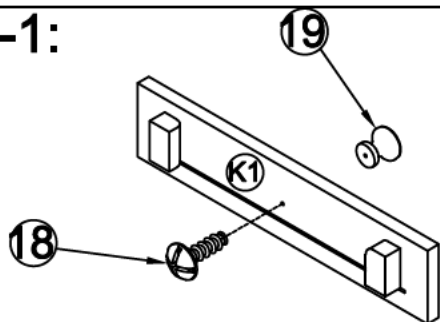
12



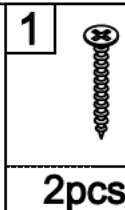
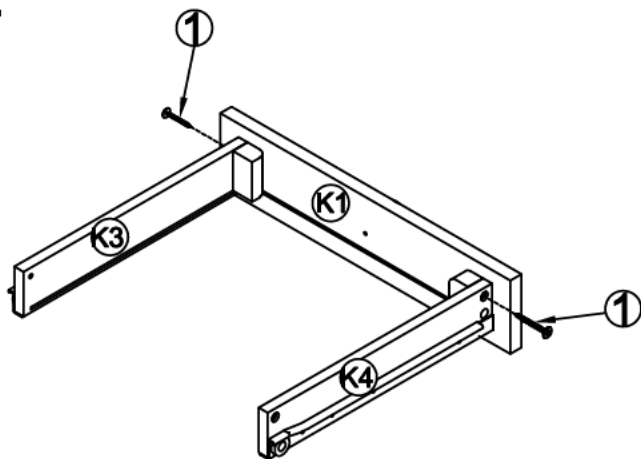
4pcs



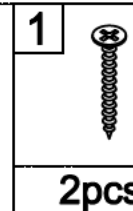
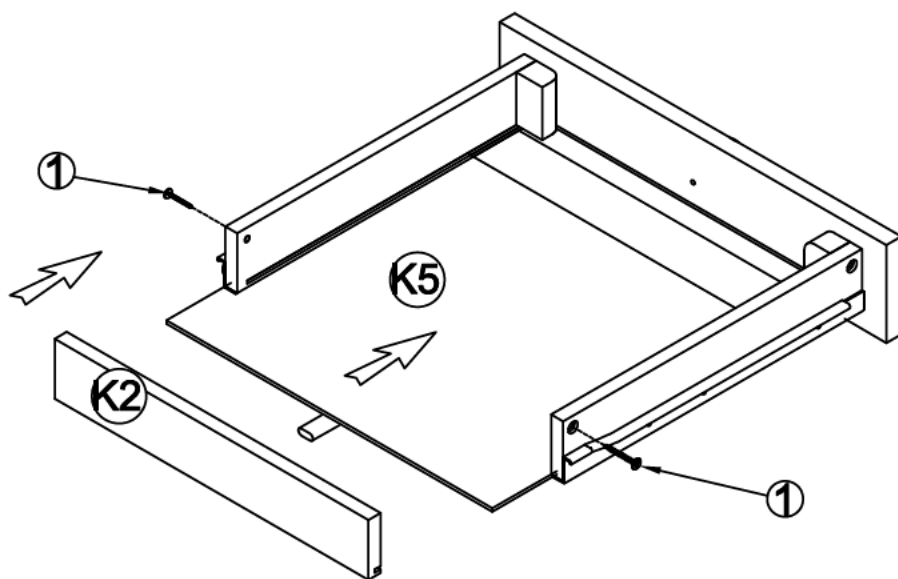
STEP 24-1:



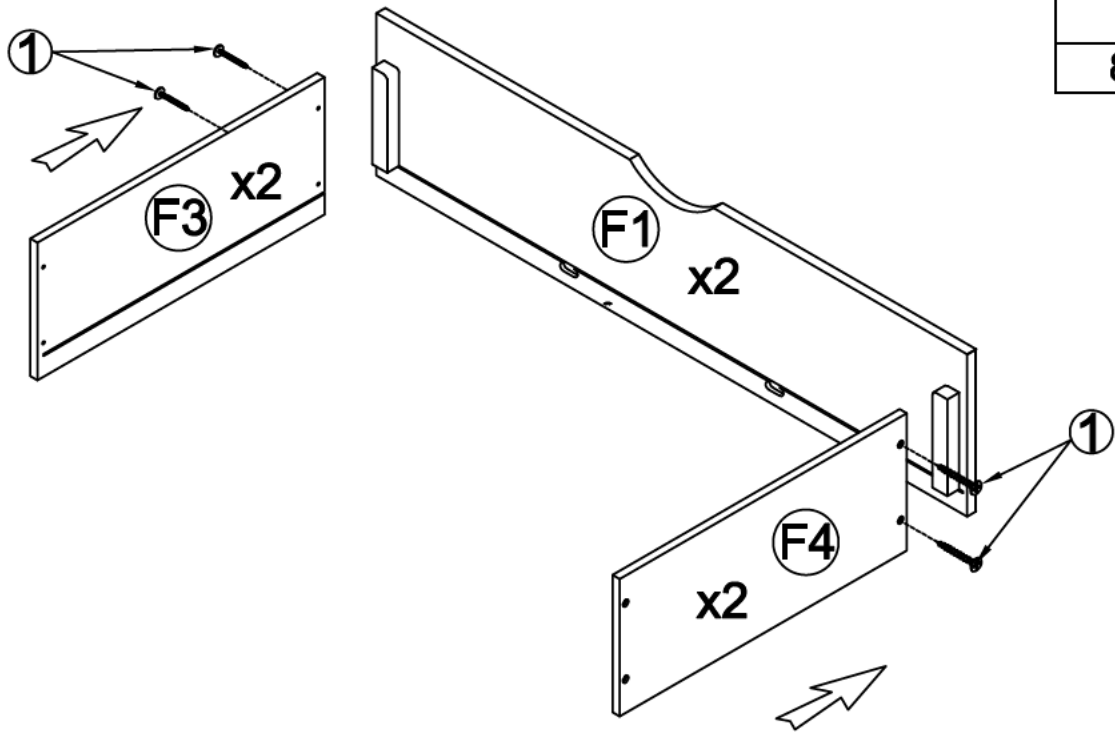
STEP 24-2:




STEP 24-3:

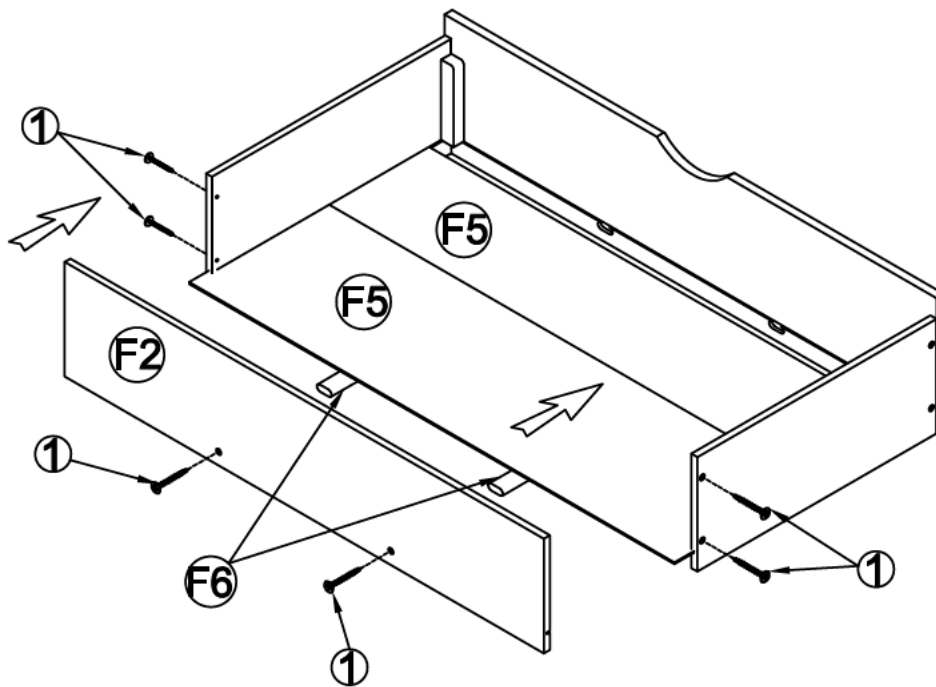



STEP 25-1:



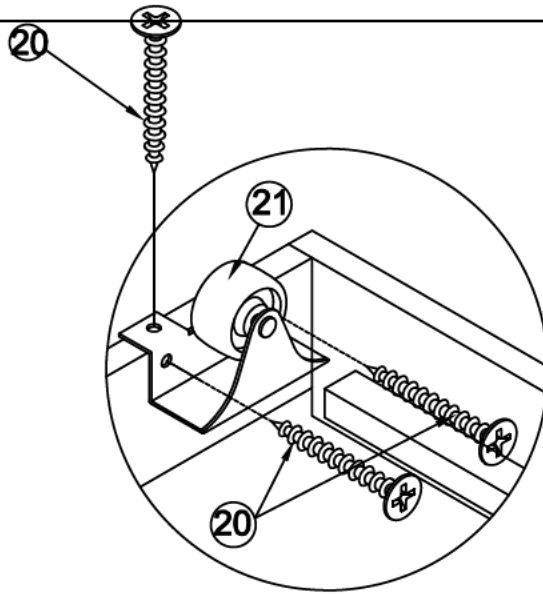
1	
8pcs	

STEP 25-2:

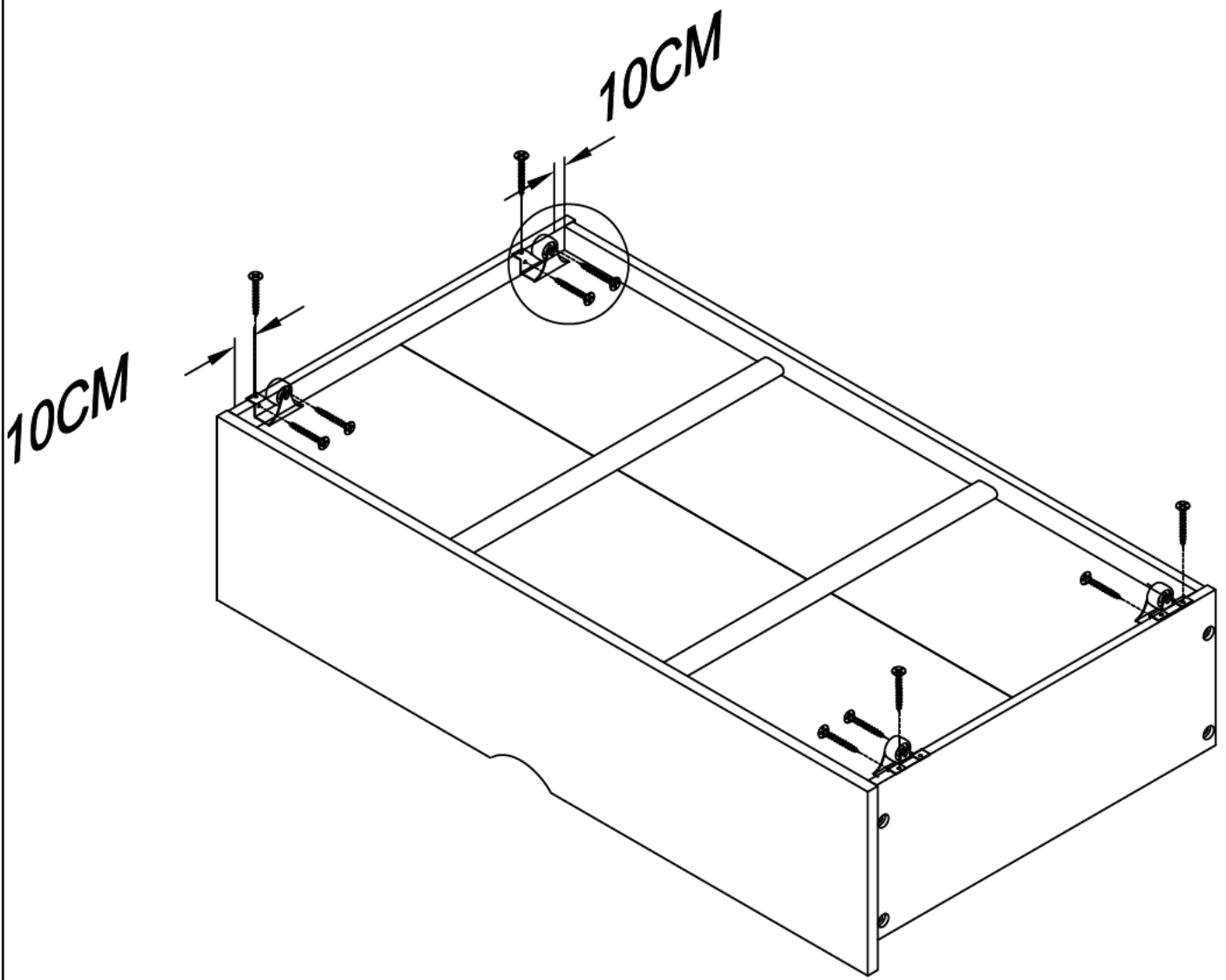


1	
12pcs	

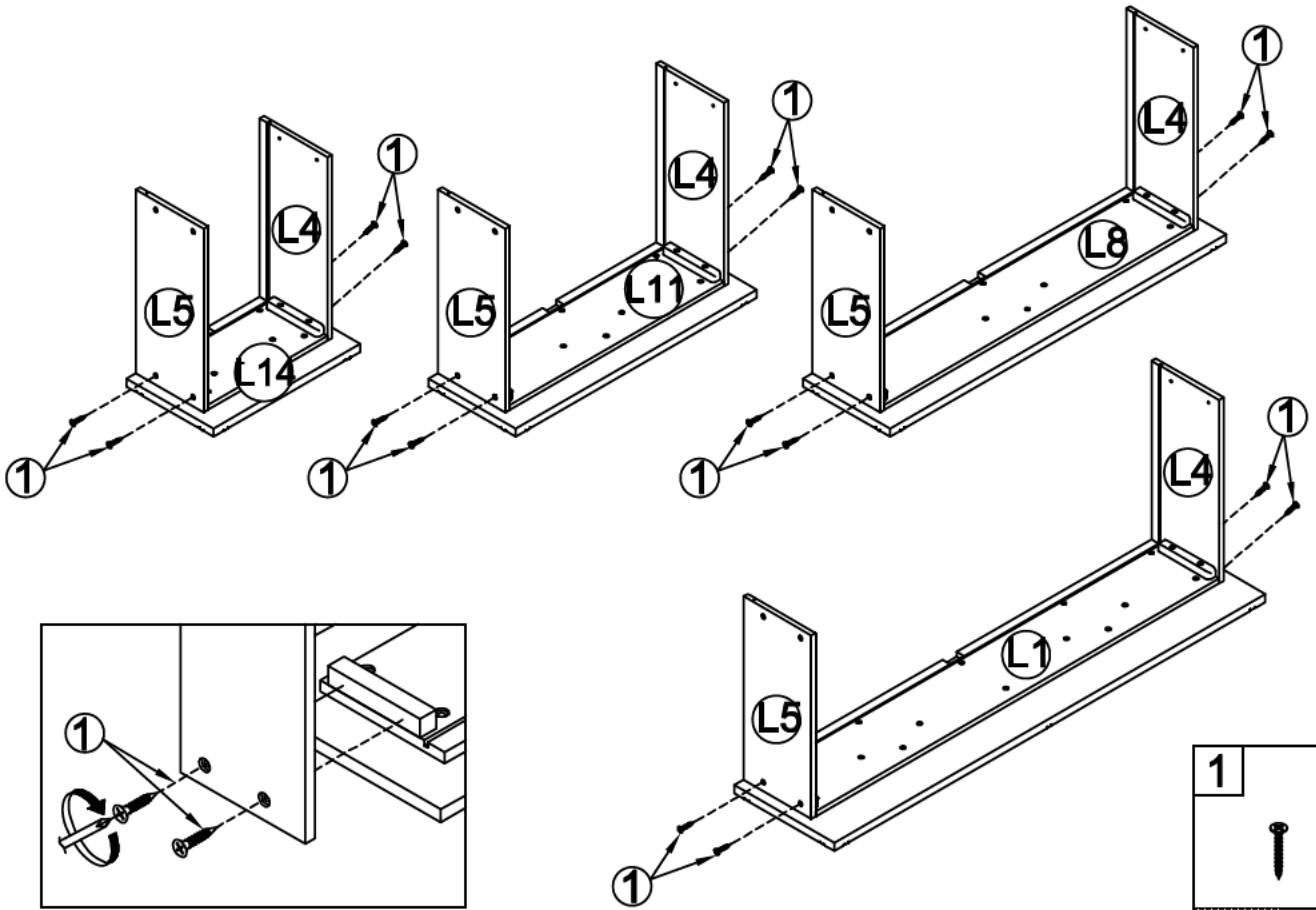
STEP 25-3



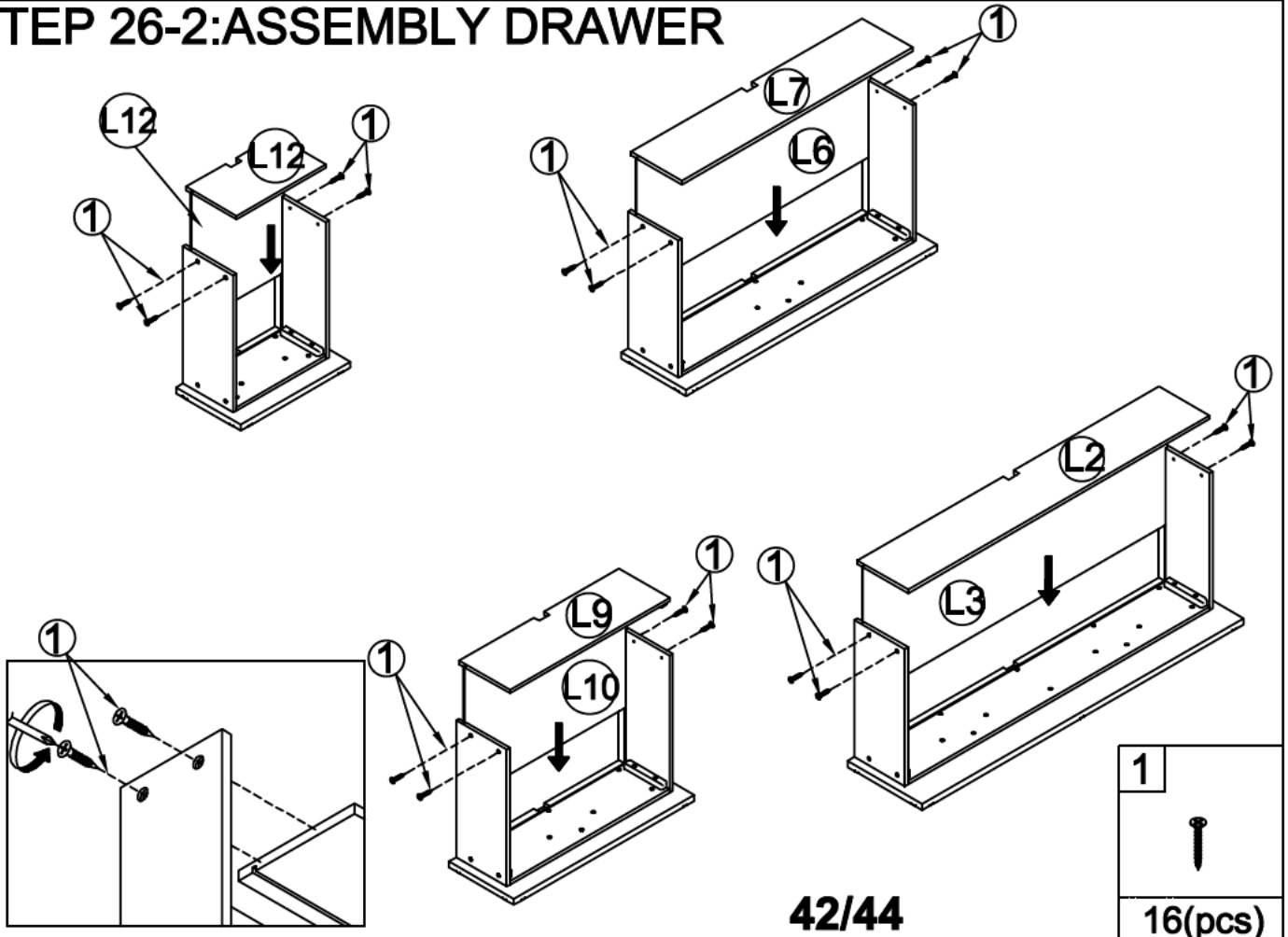
21	20
2x4pcs	2x12pcs



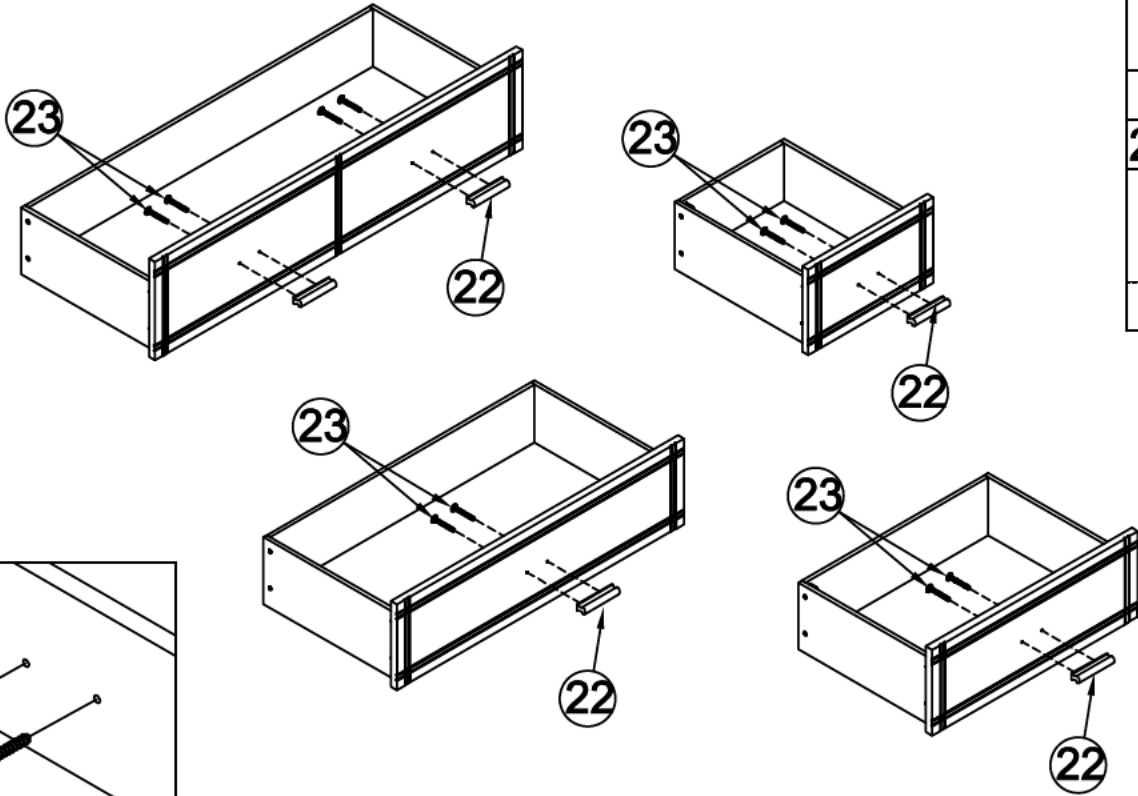
STEP 26-1:ASSEMBLY DRAWER



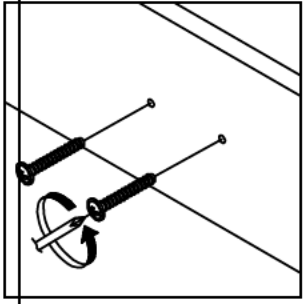
STEP 26-2:ASSEMBLY DRAWER



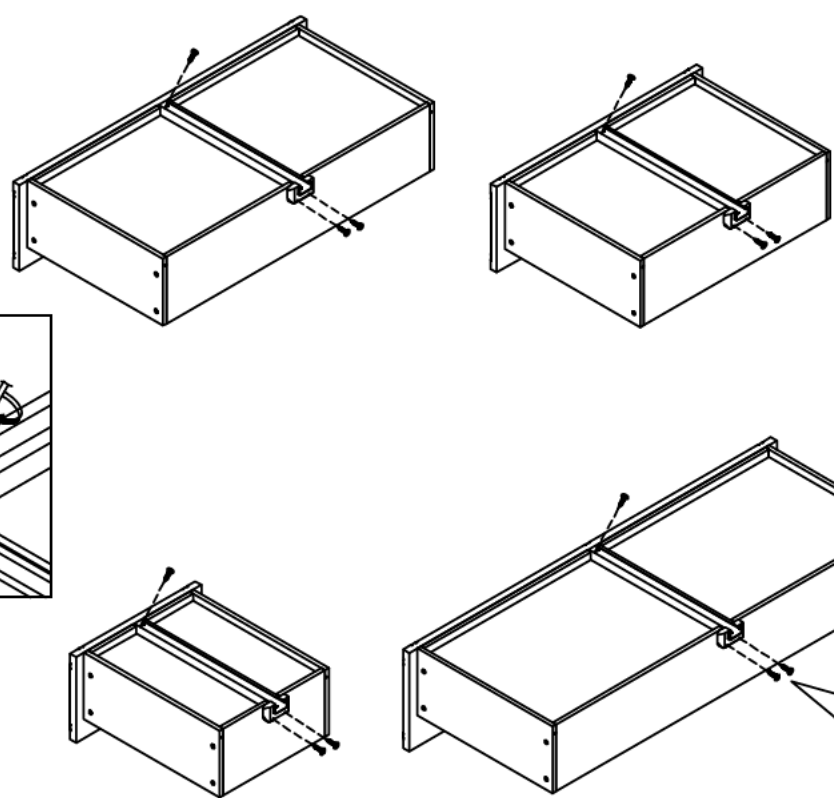
STEP 26-3:ASSEMBLY DRAWER



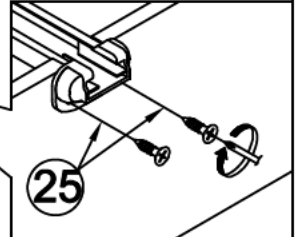
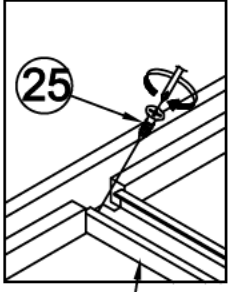
22	
5(pcs)	
23	
10(pcs)	



STEP 26-4:ASSEMBLY DRAWER



24	25
4PCS	12PCS



STEP 27: CONGRARULATION. YOU HAVE COMPLETED THE BED

Push 7 drawer into it position

