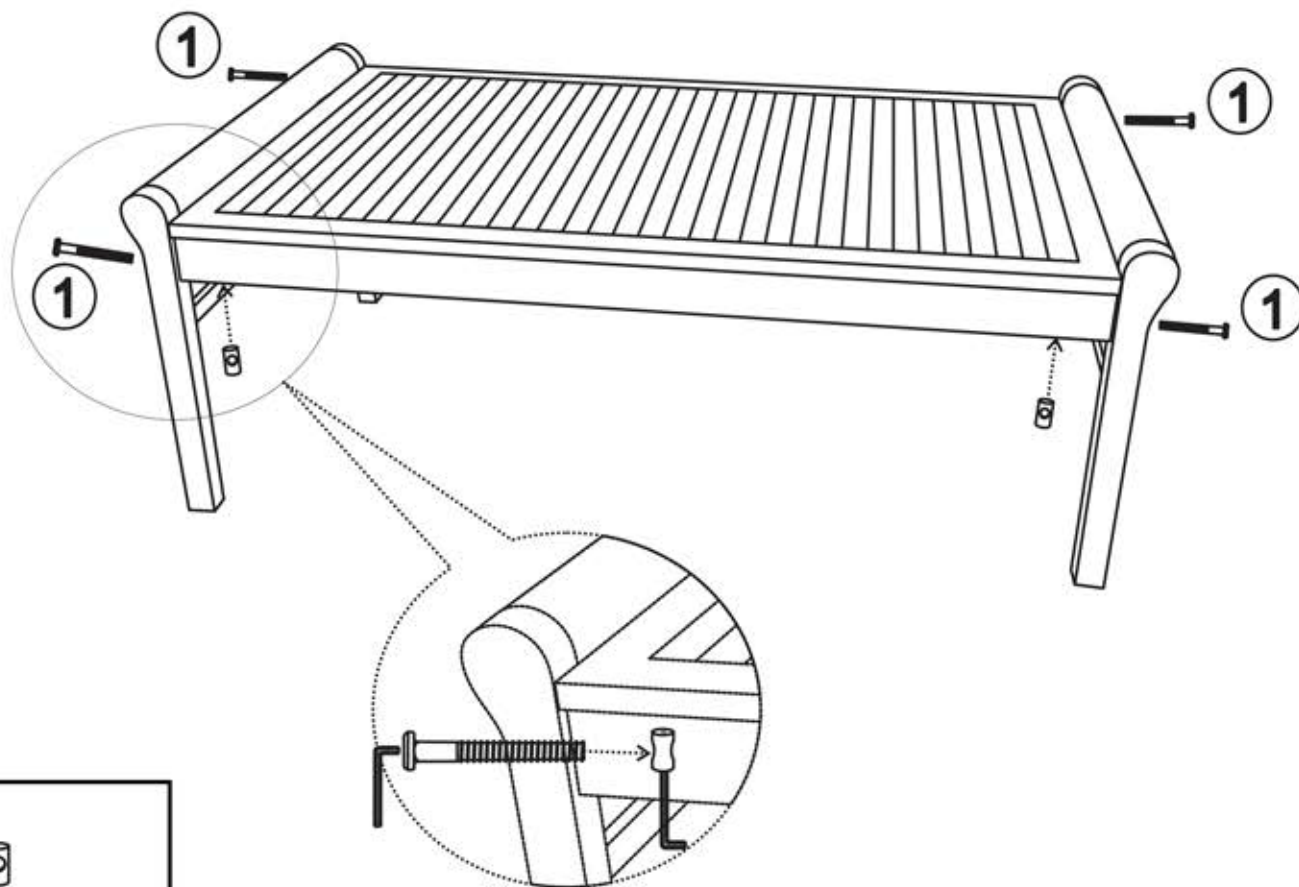


ASSEMBLY INSTRUCTION



1



(M6 x 80) mm x 4 Pcs



2 Pcs