

# ASSEMBLY INSTRUCTIONS

ITEM. : 7511VB37

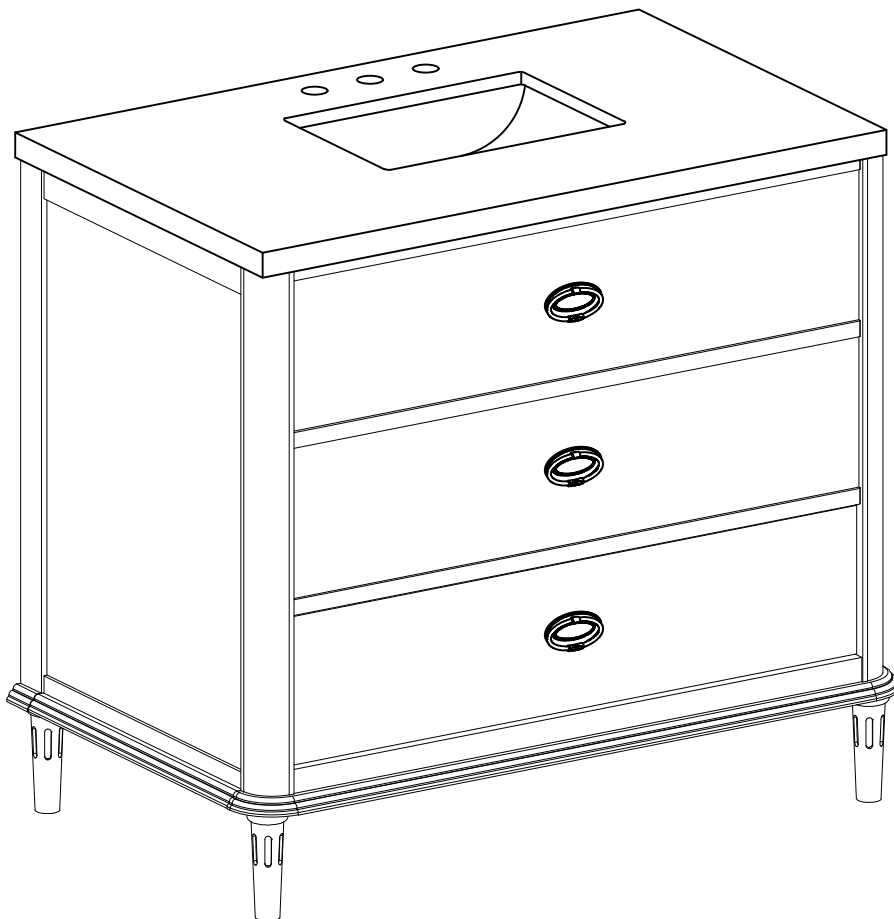
DESCRIPTION : 36" VANITY BASE

## IMPORTANT NOTE

**\*\*PLACE ALL PARTS ON A CLEAN AND SMOOTH SURFACE SUCH AS A RUG OR CARPET TO AVOID THE PARTS FROM BEING SCRATCHED**

**\*\*BEFORE YOU BEGIN, KINDLY FOLLOW THE ASSEMBLY INSTRUCTIONS STEP BY STEP**

**\*\*DO NOT TIGHTEN ALL THUMB SCREWS UNTIL THE CABINET IS FULLY SET-UP**





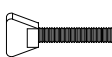







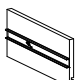
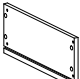





PLEASE DO NOT RETURN PRODUCT TO THE STORE

# ASSEMBLY INSTRUCTIONS

ITEM. : 7511VB37

DESCRIPTION : 36" VANITY BASE

## CARTONS ONLY ONE / HARDWARE LIST

PART LISTS				HARDWARE LIST			
NO	DESCRIPTION	SKETCH	Q'TY	NO	DESCRIPTION	SKETCH	Q'TY
A	Front frame		1 PC	1	Round thumb screw Ø1/4*25mm		4 PCS
				2	Wing thumb screw Ø1/4*30mm		8 PCS
B	Back frame		1 PC	3	Handle thumb screw Ø5/32*15mm		6 PCS
C	Left side panel		1 PC	4	Handle thumb screw Ø5/32*20mm		3 PCS
				5	Knob		3 PCS
D	Right side panel		1 PC				
E	Drawer front		1 PC				
F	Left side drawer		1 PC				
G	Right side drawer		1 PC				
H	Bottom drawer		1 PC				
I	Drawer rear panel		1 PC				
J	Drawer support bottom rail		1 PC				
K	Leg		4 PCS				
L	Top Stone		1 PC				

### MATERIALS NEEDED (NOT INCLUDED)



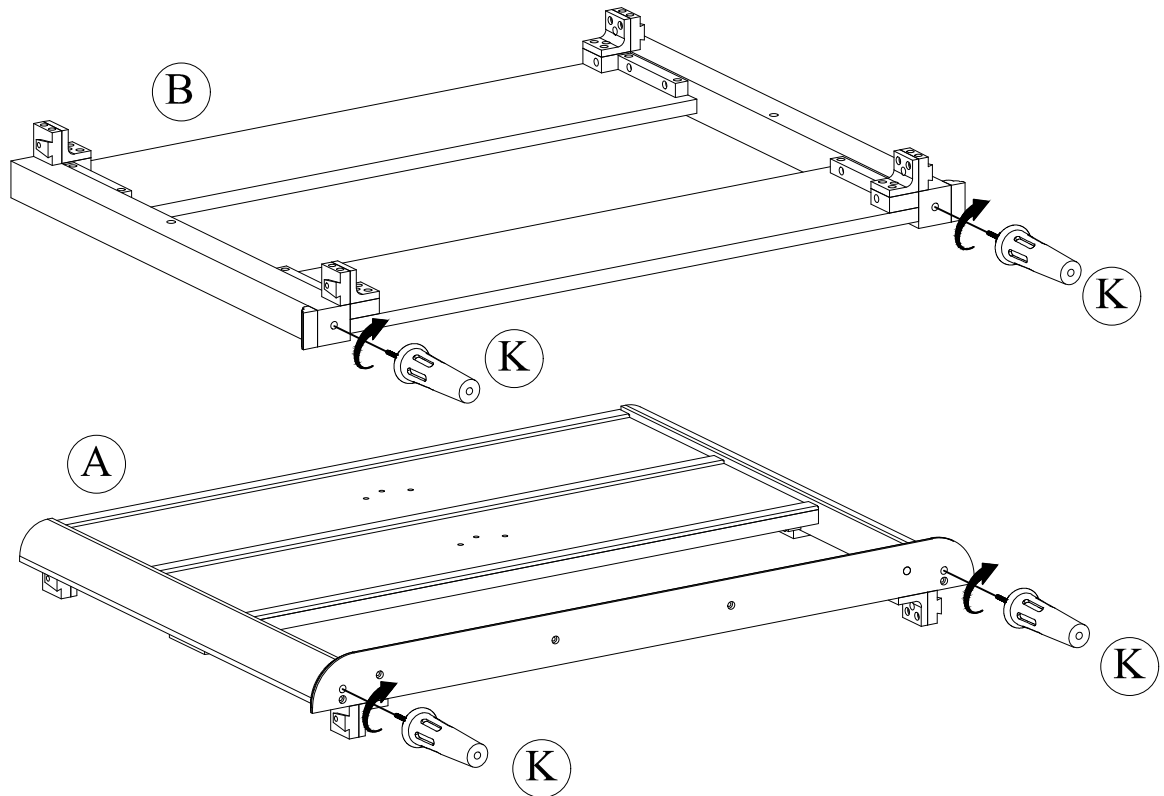
Silicone

# ASSEMBLY INSTRUCTIONS

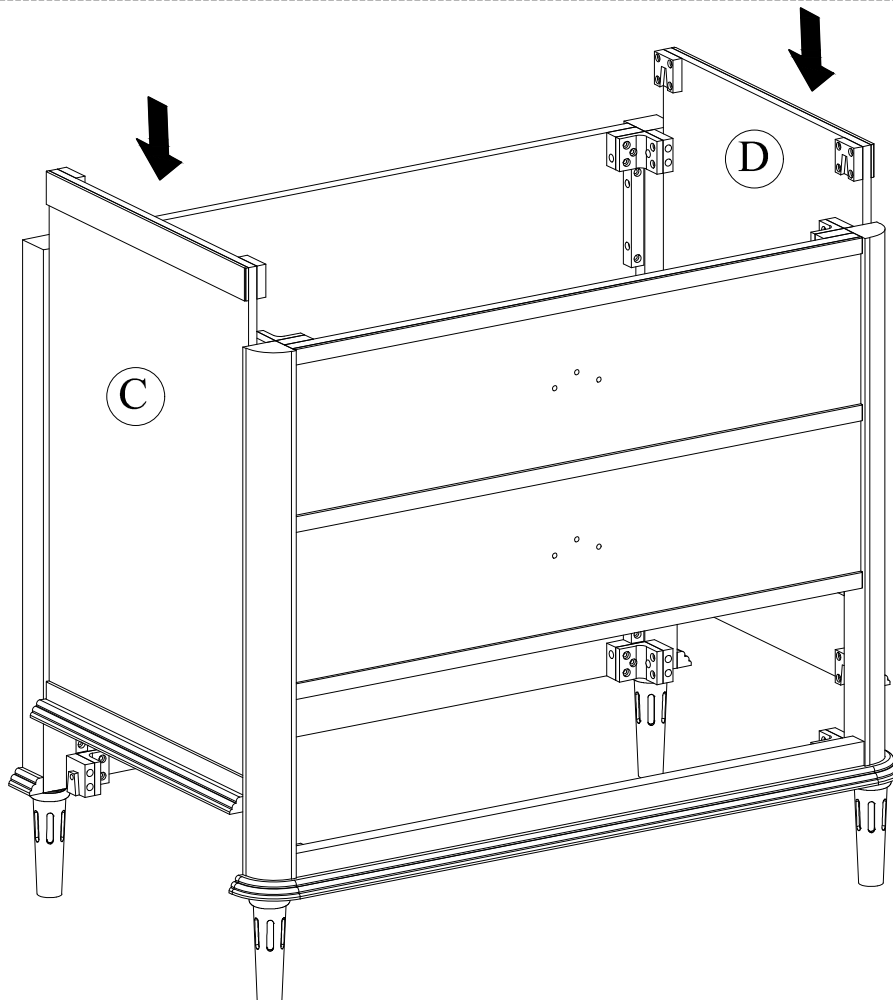
ITEM. : 7511VB37

DESCRIPTION : 36" VANITY BASE

## STEP 1



## STEP 2

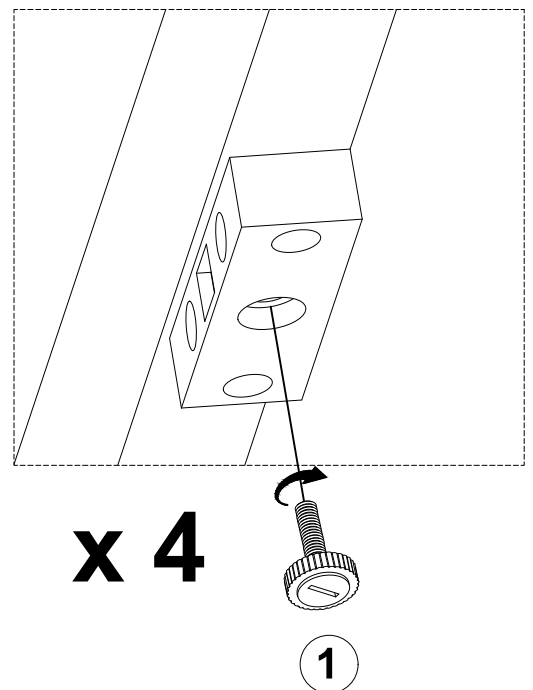
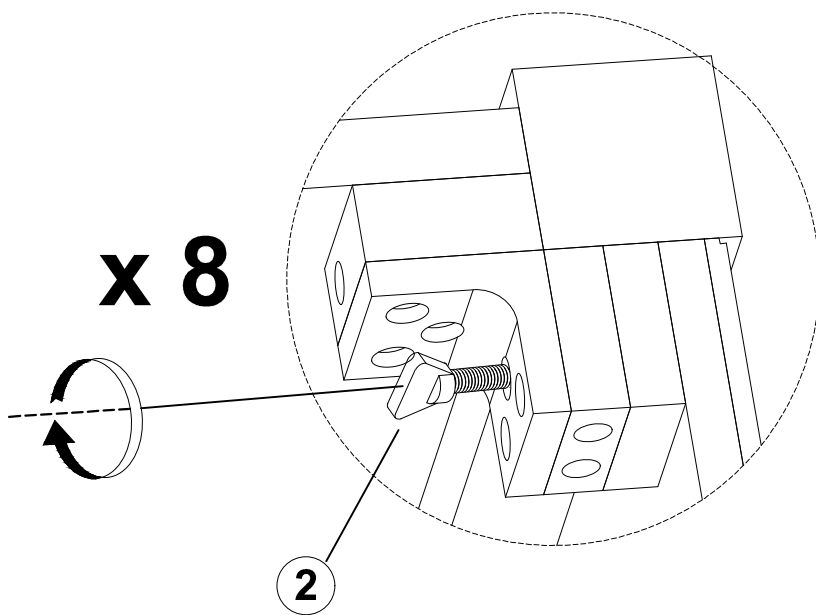
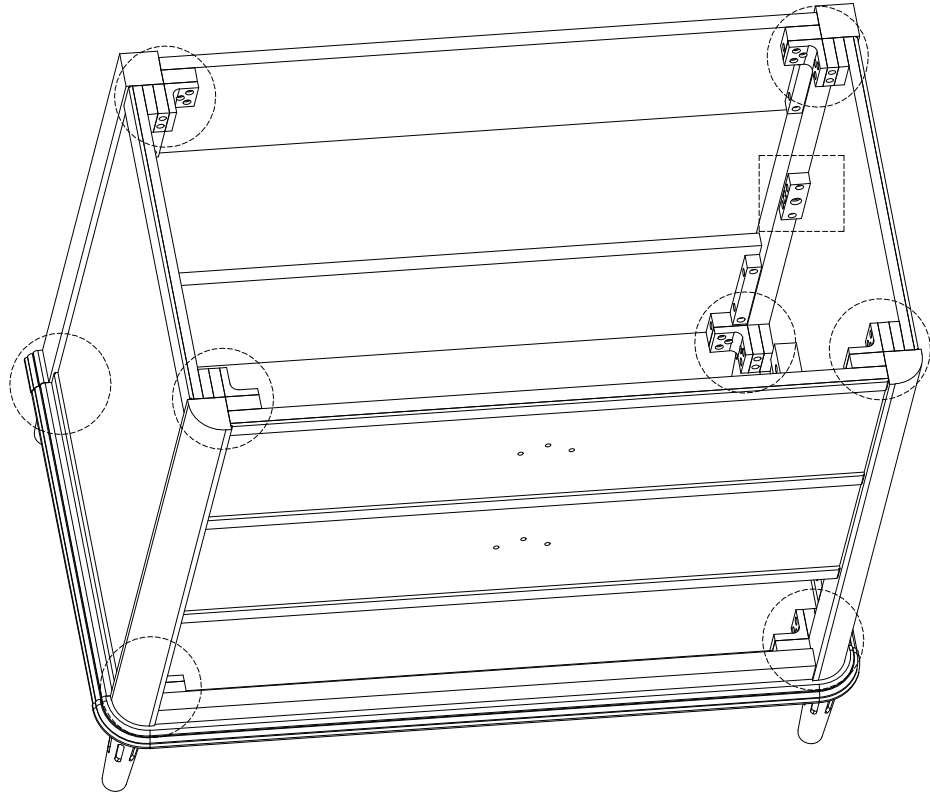


# ASSEMBLY INSTRUCTIONS

ITEM. : 7511VB37

DESCRIPTION : 36" VANITY BASE

## STEP 3

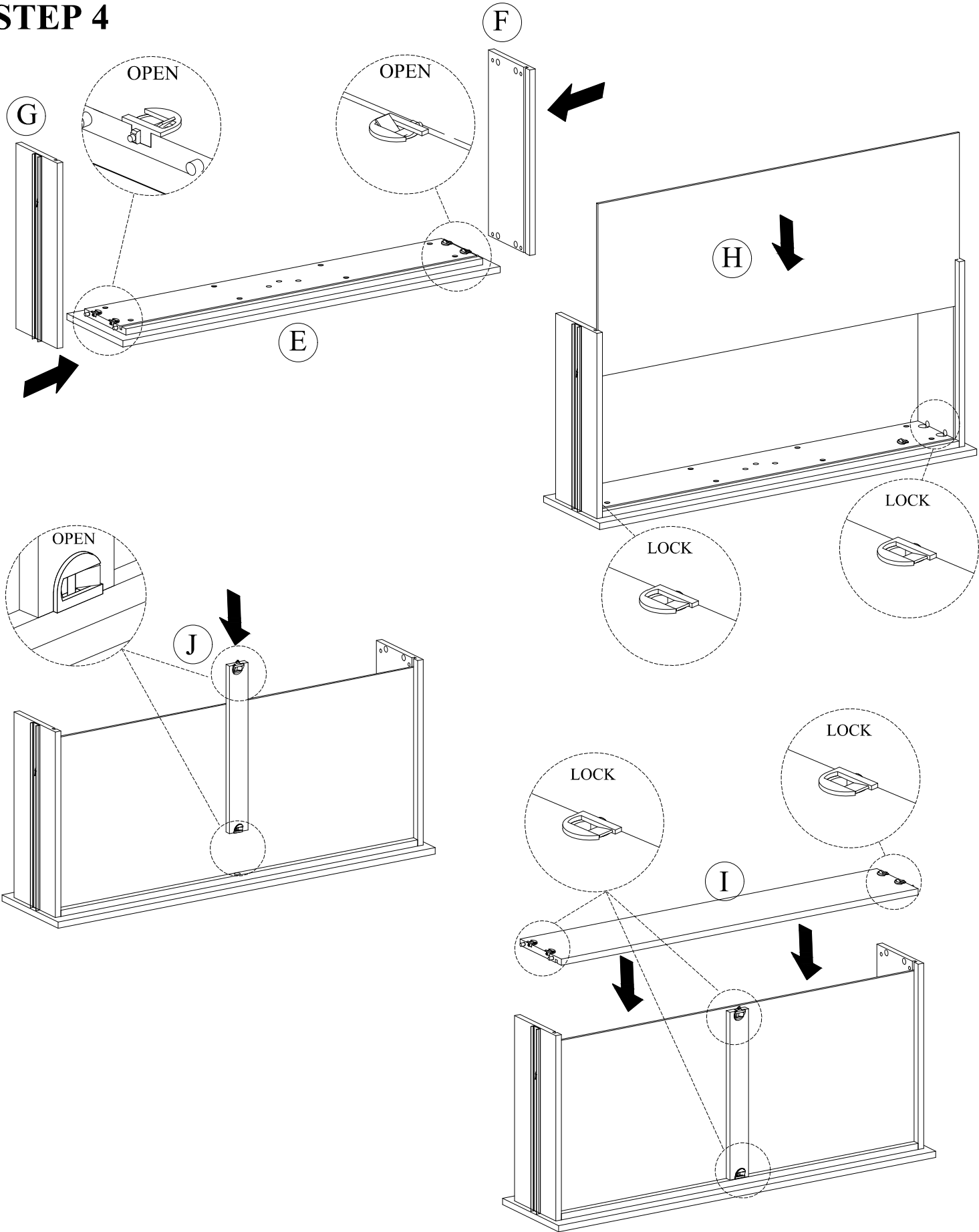


# ASSEMBLY INSTRUCTIONS

ITEM. : 7511VB37

DESCRIPTION : 36" VANITY BASE

## STEP 4



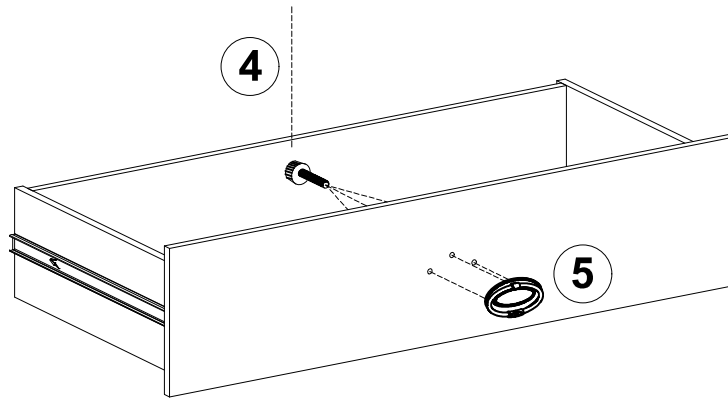
# ASSEMBLY INSTRUCTIONS

ITEM. : 7511VB37

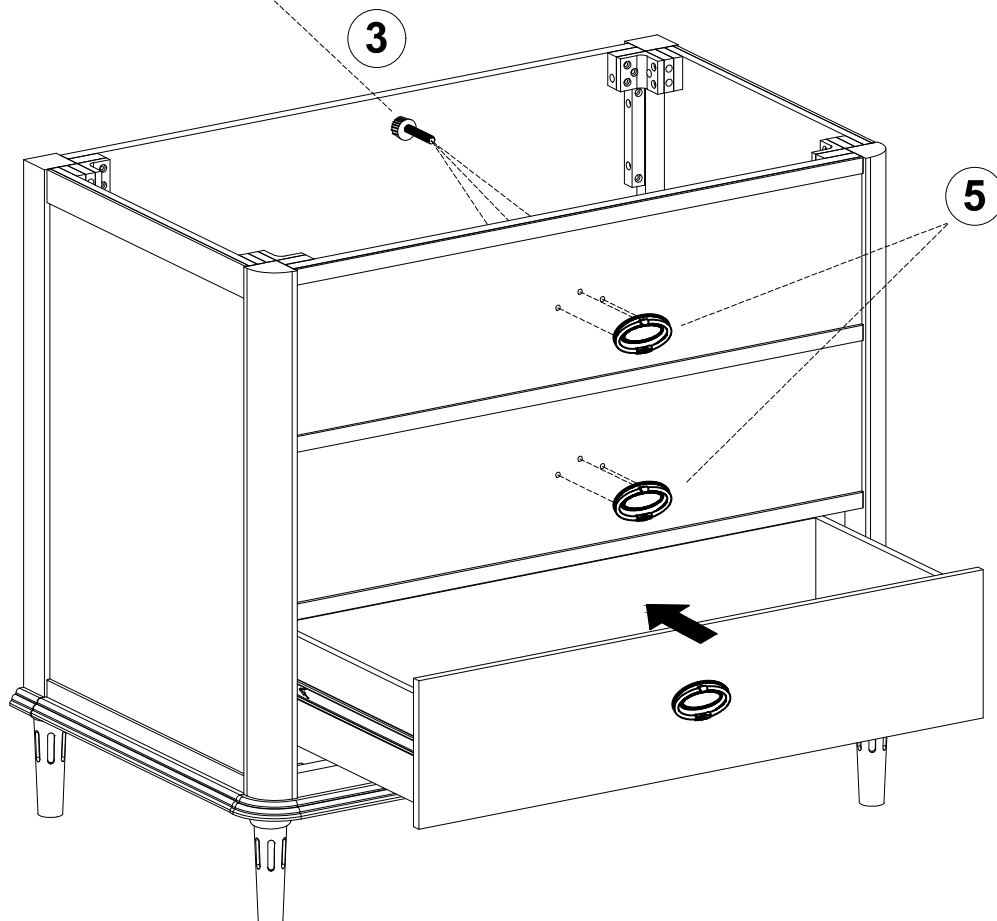
DESCRIPTION : 36" VANITY BASE

## STEP 5

**x 3** Ø5/32\*20mm



**x 6** Ø5/32\*15mm



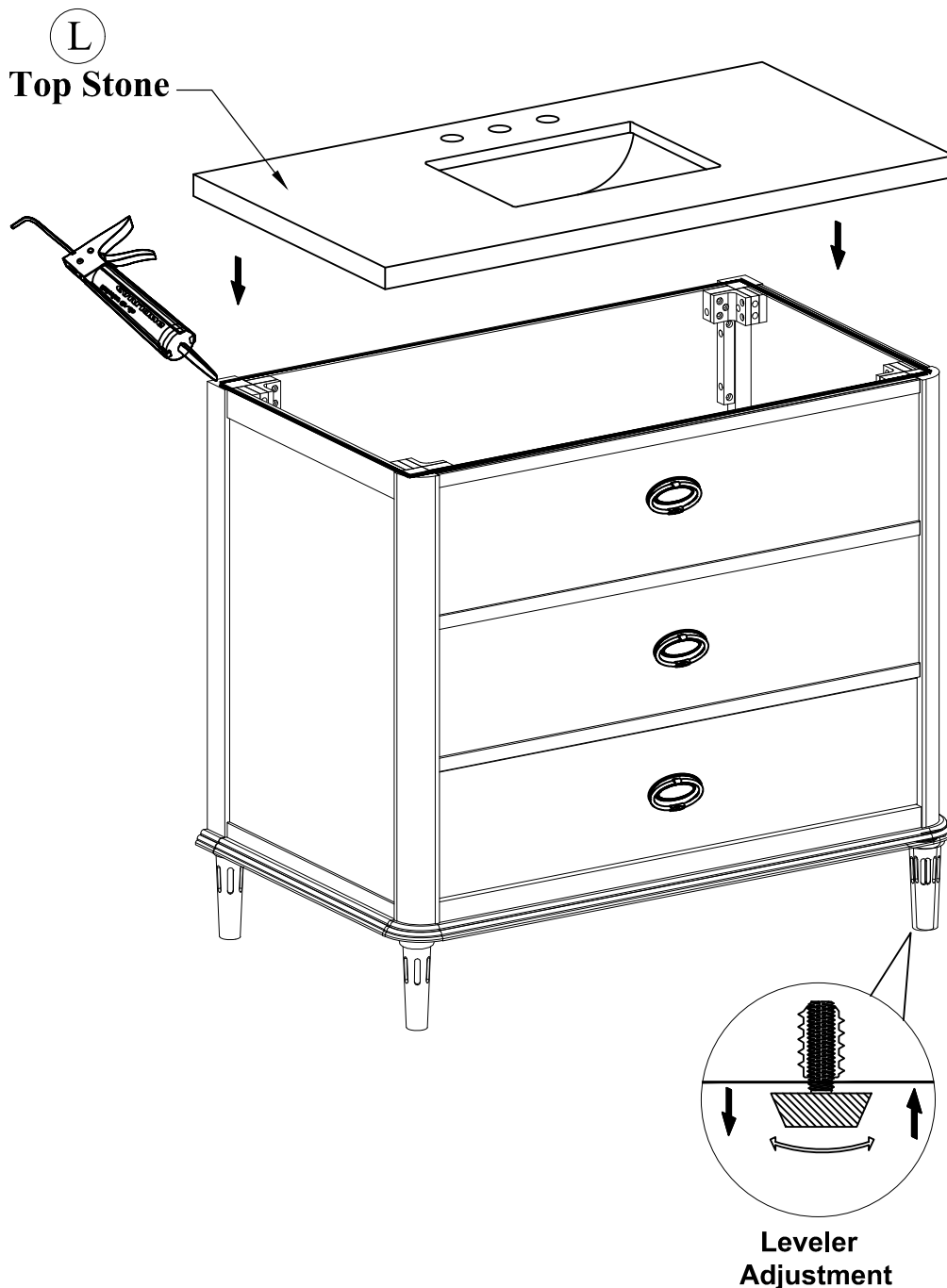
# ASSEMBLY INSTRUCTIONS

ITEM. : 7511VB37

DESCRIPTION : 36" VANITY BASE

## STEP 6

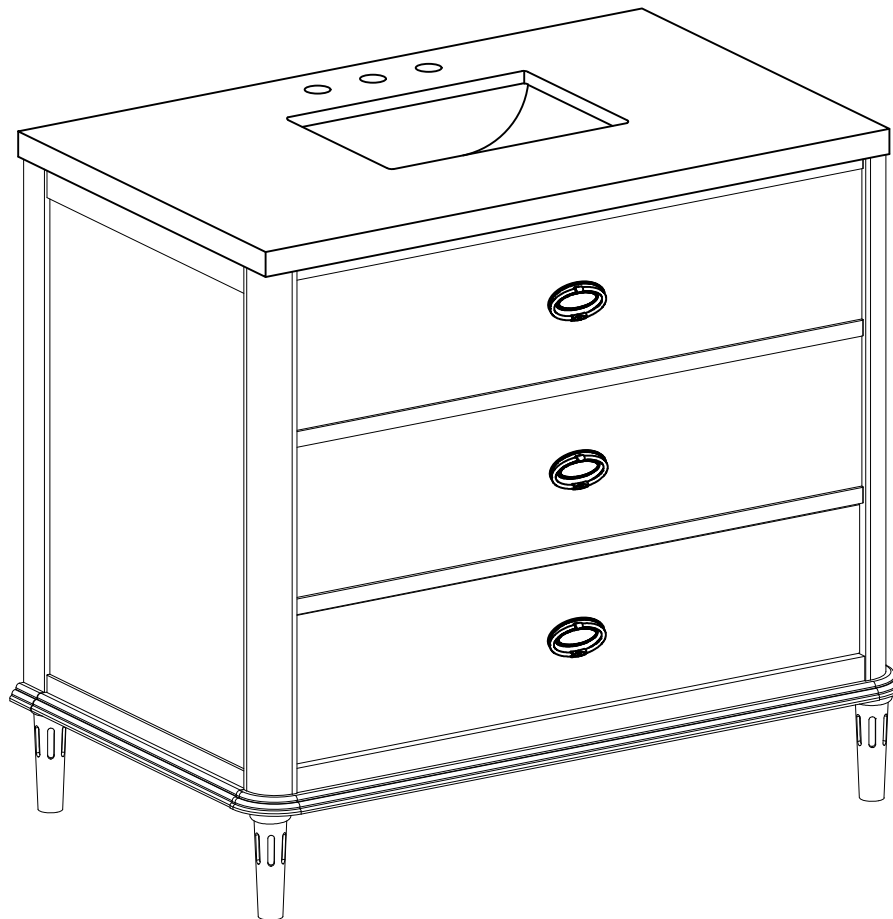
- Set the vanity on top of the vanity base, checking the location of the p-trap and drain.
- Remove the top and install the faucet per manufacturer's installation instructions.
- Hand tighten the pop-up drain with a wrench. Be careful not to over-tighten the pop-up drain, over tightening may cause cracks on the engineered stone top.
- Apply a thin bead of silicone compound around the vanity base and set the vanity top carefully in place. Remove any excess silicone compound with a wet rag.
- Install the faucet water lines and P-trap according to manufacturer's installation instructions



# ASSEMBLY INSTRUCTIONS

ITEM. : 7511VB37

DESCRIPTION : 36" VANITY BASE



**COMPLETED**