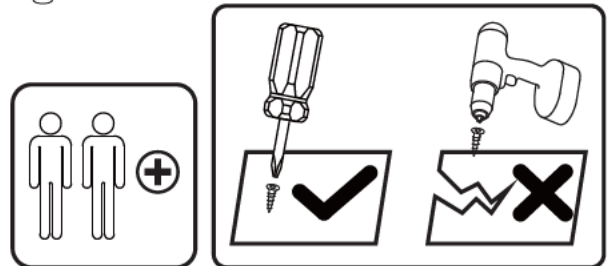
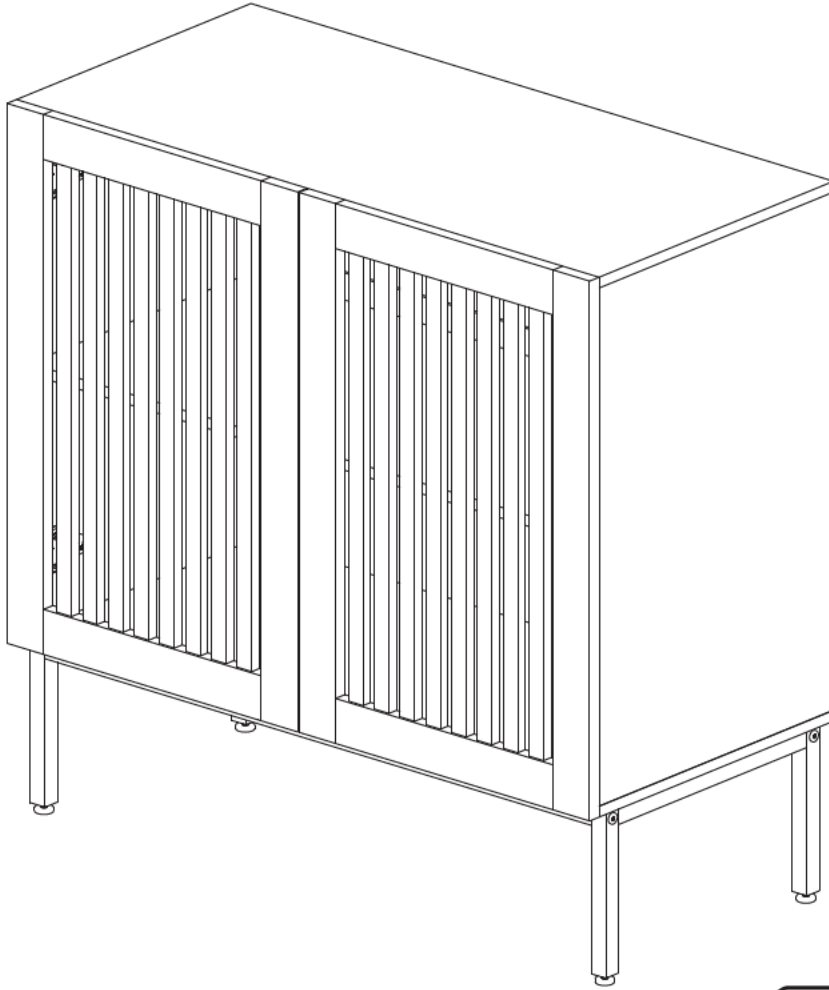
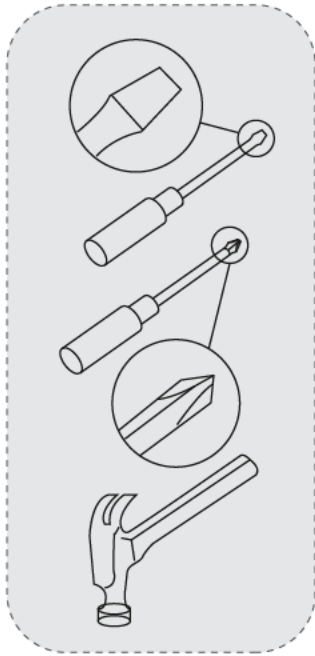

Assembly Instructions



Tools Recommended

This Instructions Contains Important Safety Information. Please Read Before Assembly And Keep For Future Reference.

IMPORTANT NOTICE



- This product contains small components, please ensure that they are kept away from small children.
- THIS INSTRUCTIONS CONTAINS IMPORTANT SAFETY INFORMATION. PLEASE READ BEFORE ASSEMBLY AND KEEP FOR FUTURE REFERENCE.
- Read each step carefully. It is very important that each step of instruction is performed in the correct order. If these steps are not followed in sequence, assembly difficulties will occur.
- Make sure all parts are included. Most parts are labeled or stamped on the raw edge.
- Work in spacious area, preferably on a carpet, near the place the unit will be used.
- Do not use power tools to assemble your furniture. Power tools may strip or damage the parts.
- Move your new furniture carefully, with two people lift and carry the unit to its new location.
- Never push, drag or pull your furniture (especially on carpet).

PLEASE DO NOT RETURN PRODUCT TO US IMMEDIATELY

- If any parts are missing or damaged, do not return the damaged item to your dealer, contact Customer Service, We will gladly ship you replacement parts FREE of charge!
- Need parts or Assistance? Email us
- Thank you for choosing our products.
- For prompt, Reliable Customer Service, Please have your assemble instruction ready.



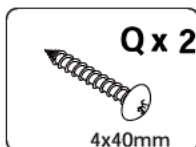
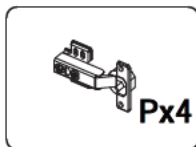
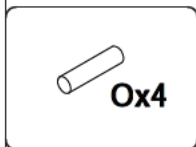
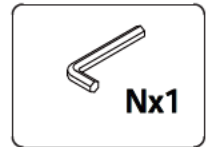
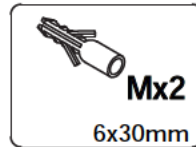
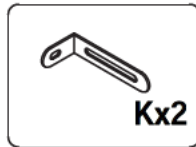
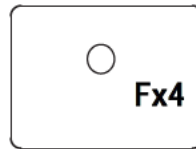
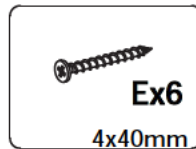
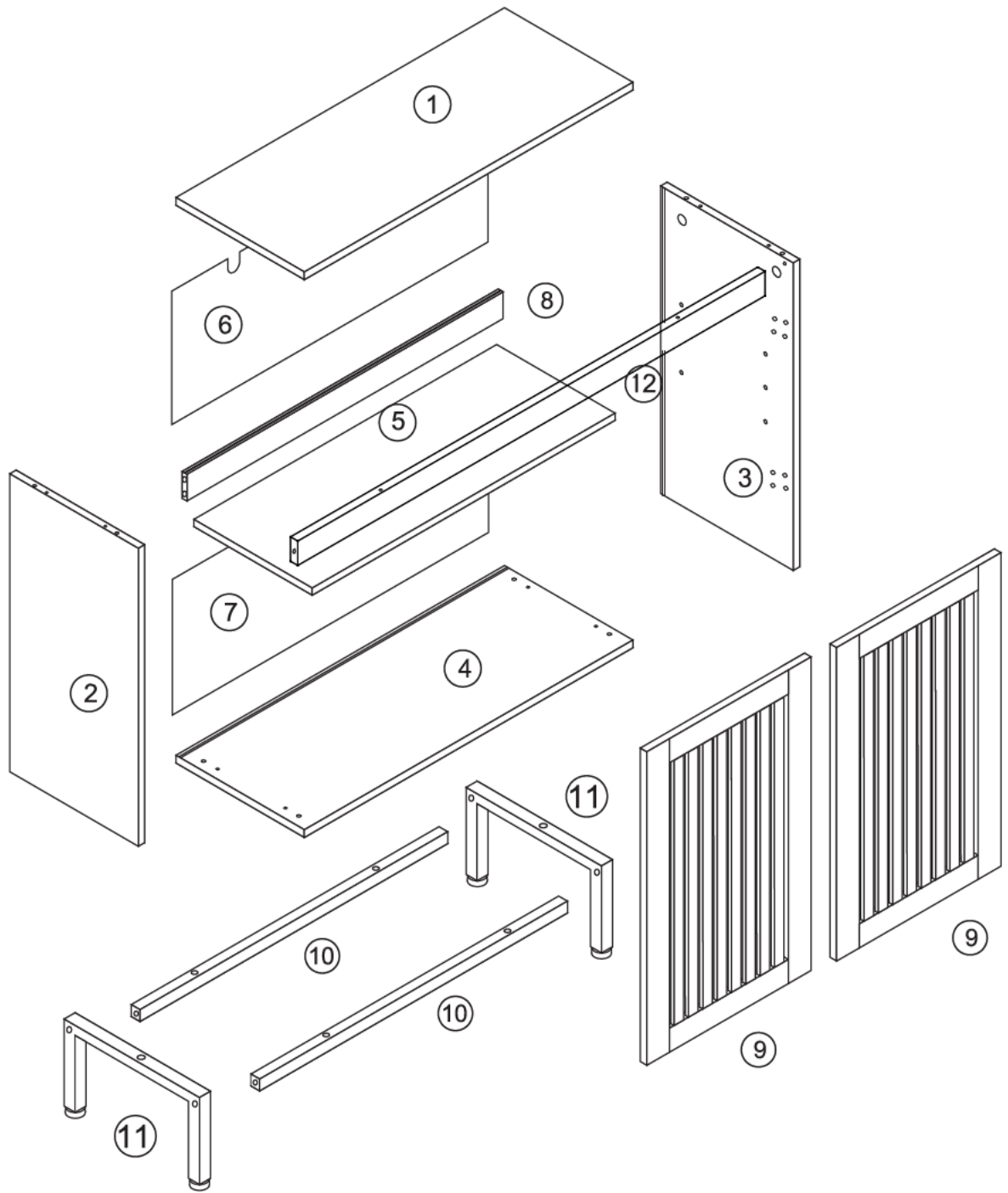
WARNING

(Death or serious injury may occur when children climb on audio and/or video equipment furniture.)

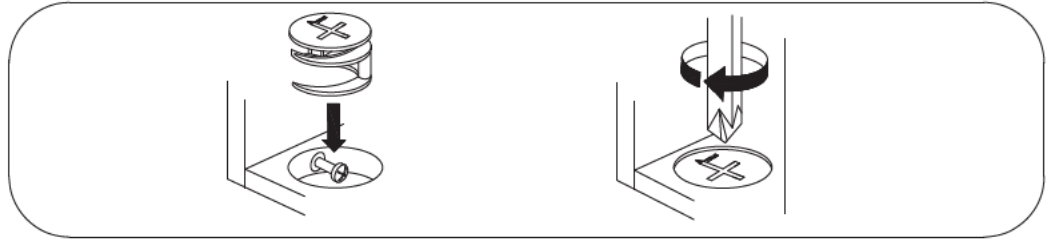
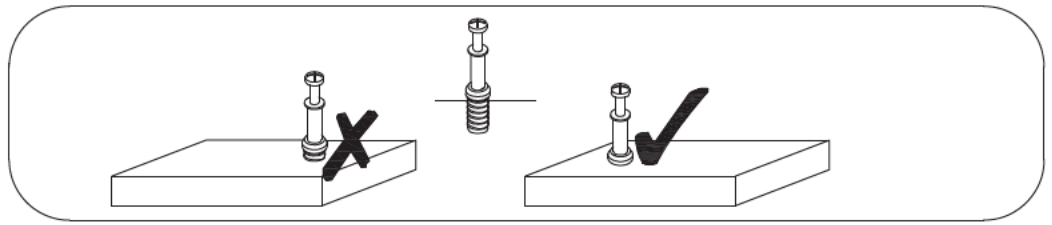
To reduce the risk of furniture tipover:



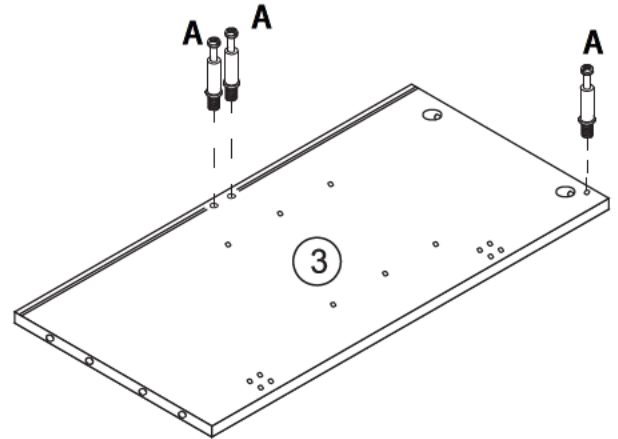
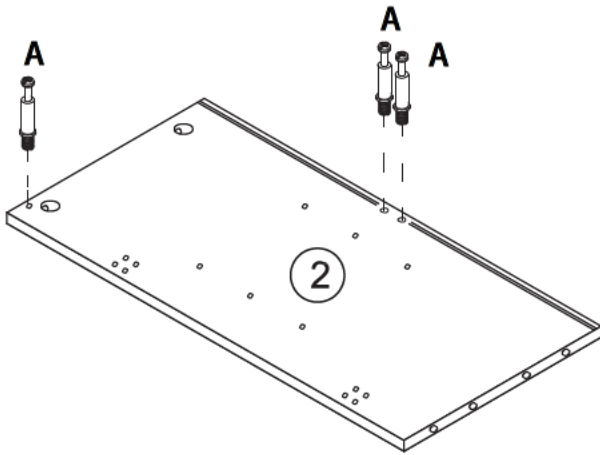
- NEVER attempt to move this furniture without first removing all equipment.
- NEVER placing remote control or toys on the furniture, may encourage a child to climb on the furniture and as a result the furniture may tip over onto the child.
- Please contact us using the details shown for further advice.



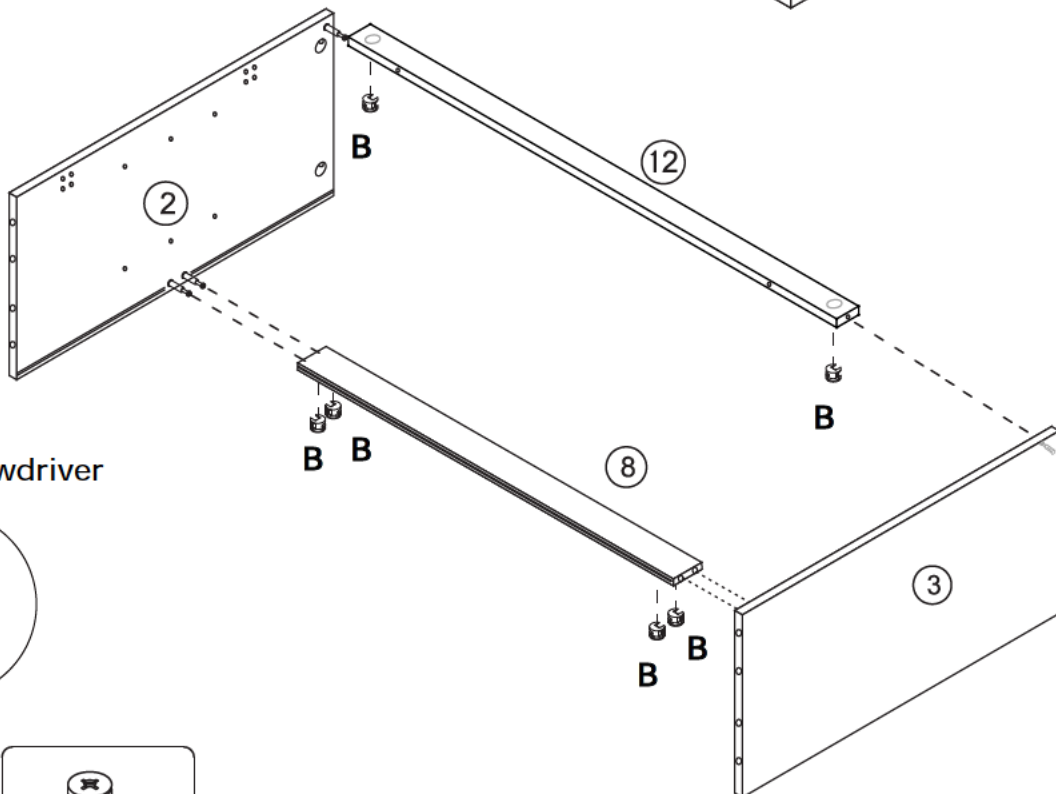
Step 1



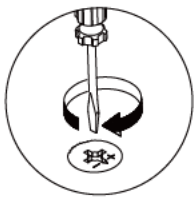
Install the screw (A) on the part (2), (3)



Put the eccentric (B) into the corresponding hold (both sides workable) and use a flat-blade screwdriver to turn it clockwise to tighten, the installation is as shown below.

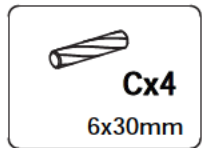
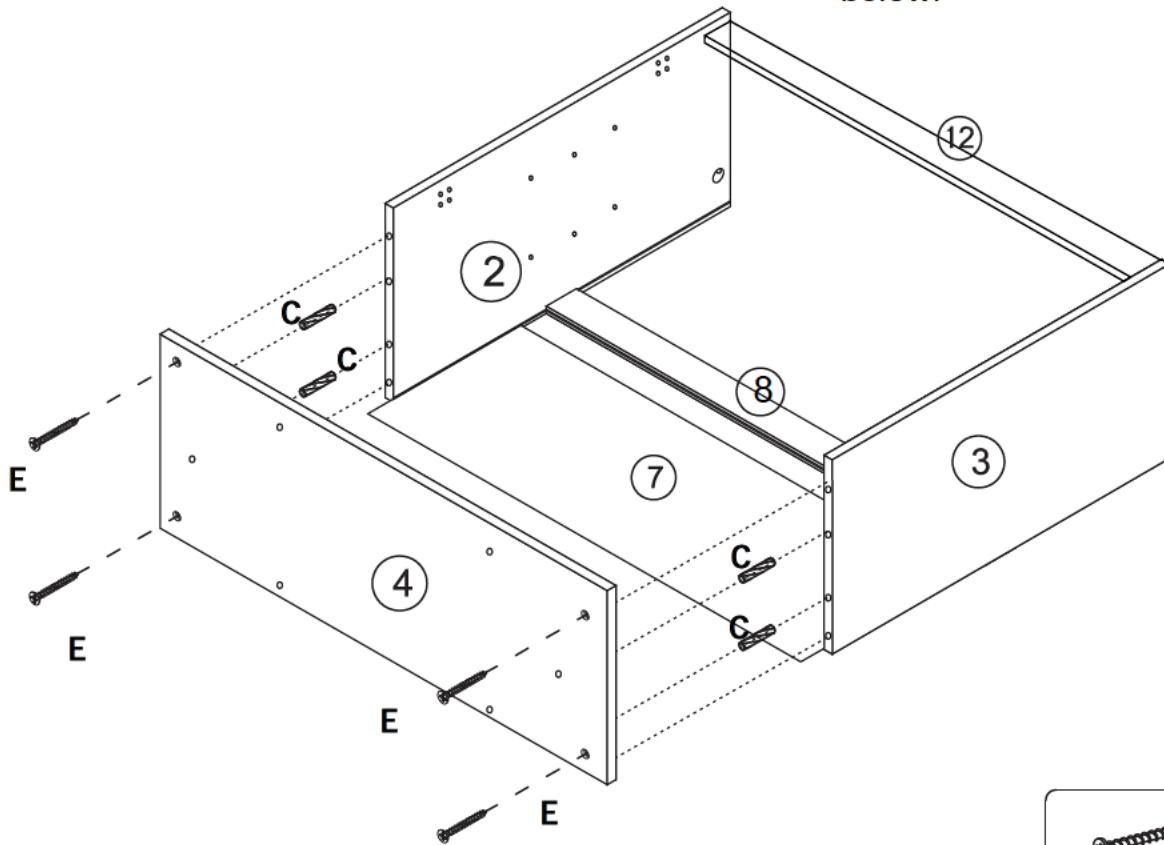


flat-blade screwdriver



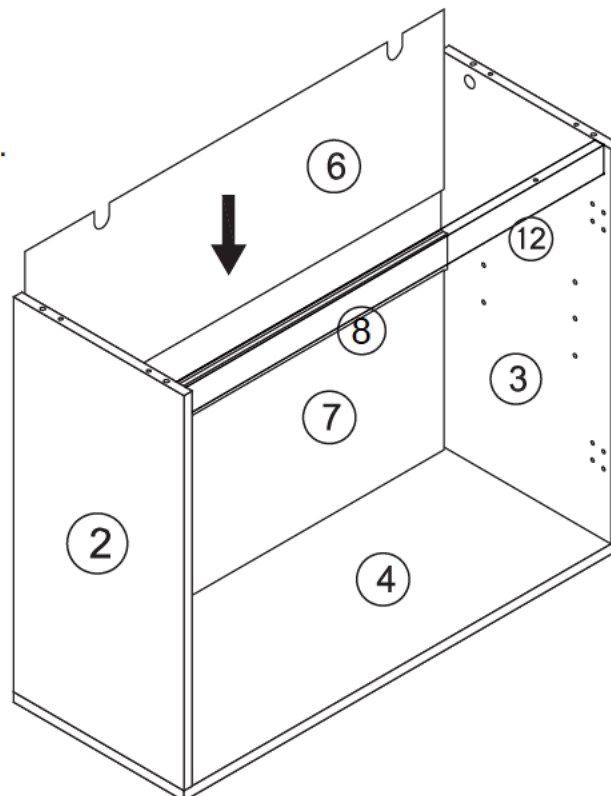
Step 2

First insert part ⑦ along the slot, and then insert the dowel (C) into part ② / ③; assemble part ④ to part ②; ③ by screw (E). the position is as shown below.

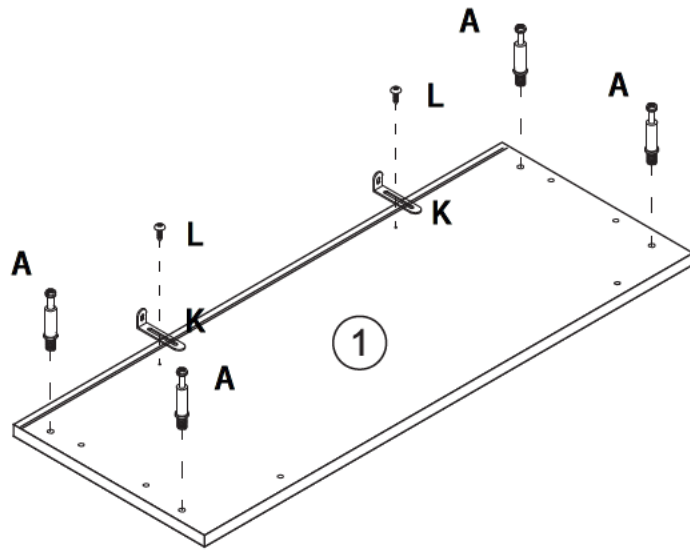


Step 3

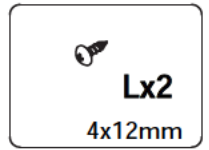
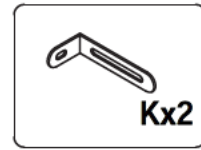
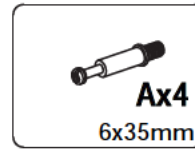
Insert part ⑥ along the slot, the position is as shown below.



Step 4

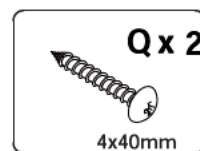
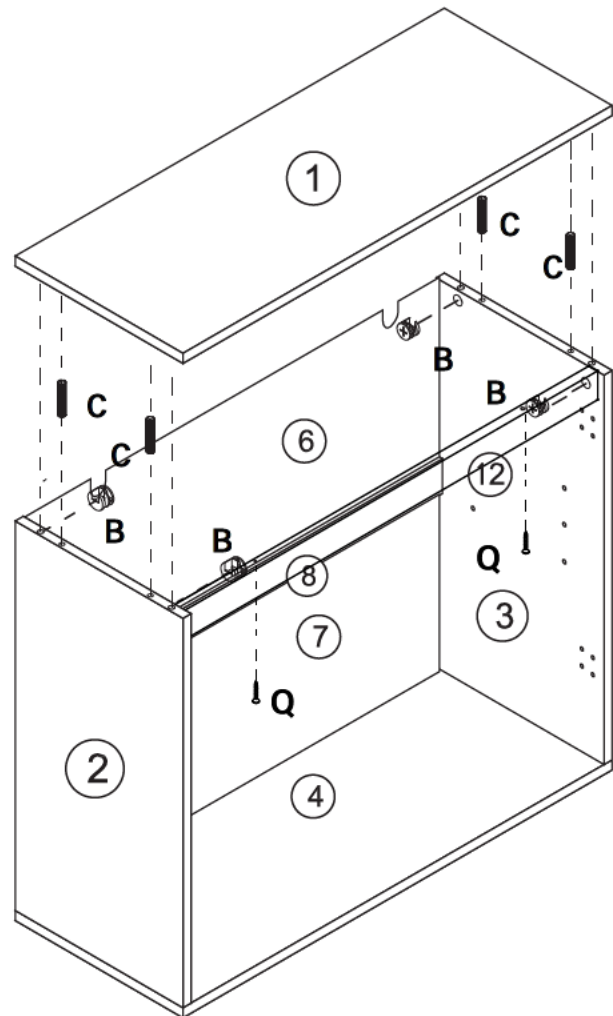


Install the screw (A) on the part ①, fasten the L-shaped iron piece (K) with screw (L); the installation position is as shown below.



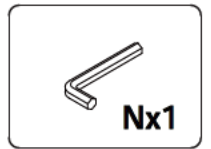
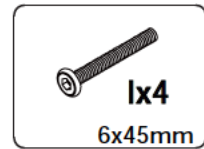
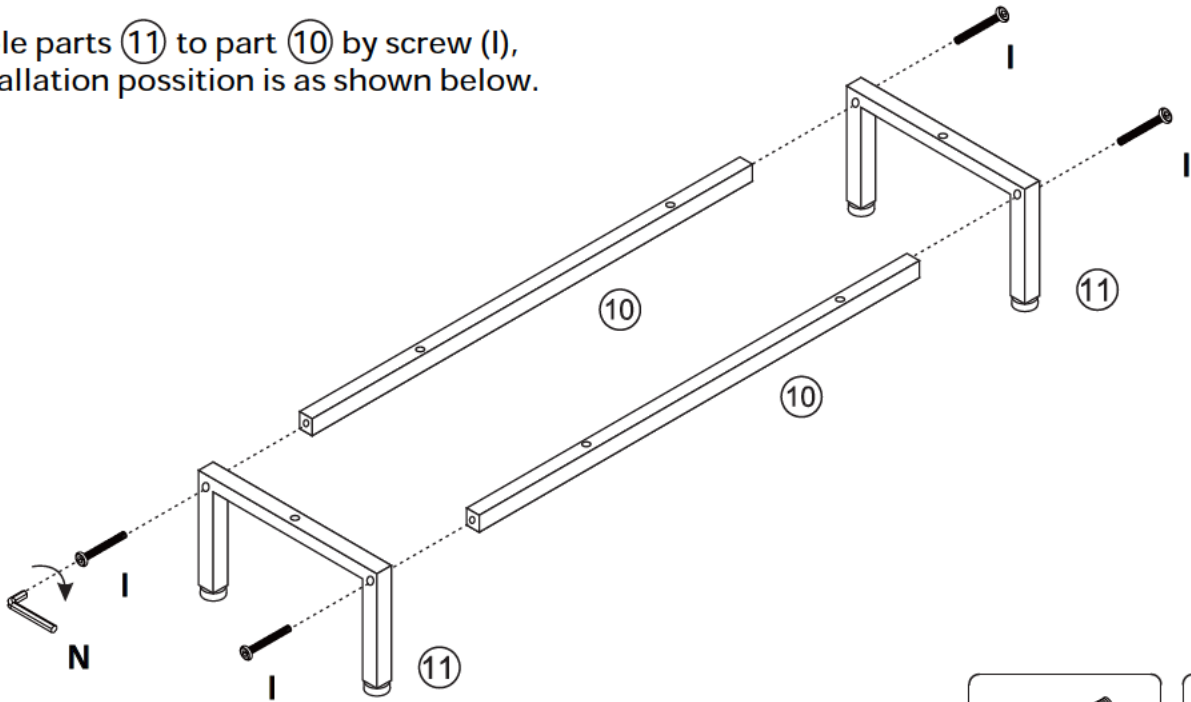
Step 5

Insert the dowel (C) into part ②/③. Put the eccentric (B) into the corresponding hole and use a flat-blade screwdriver to turn it clockwise to tighten, assemble part ① to part ②/③, connect part ⑫ to the corresponding hole position of part ① by screw (Q). The installation position is as shown below.

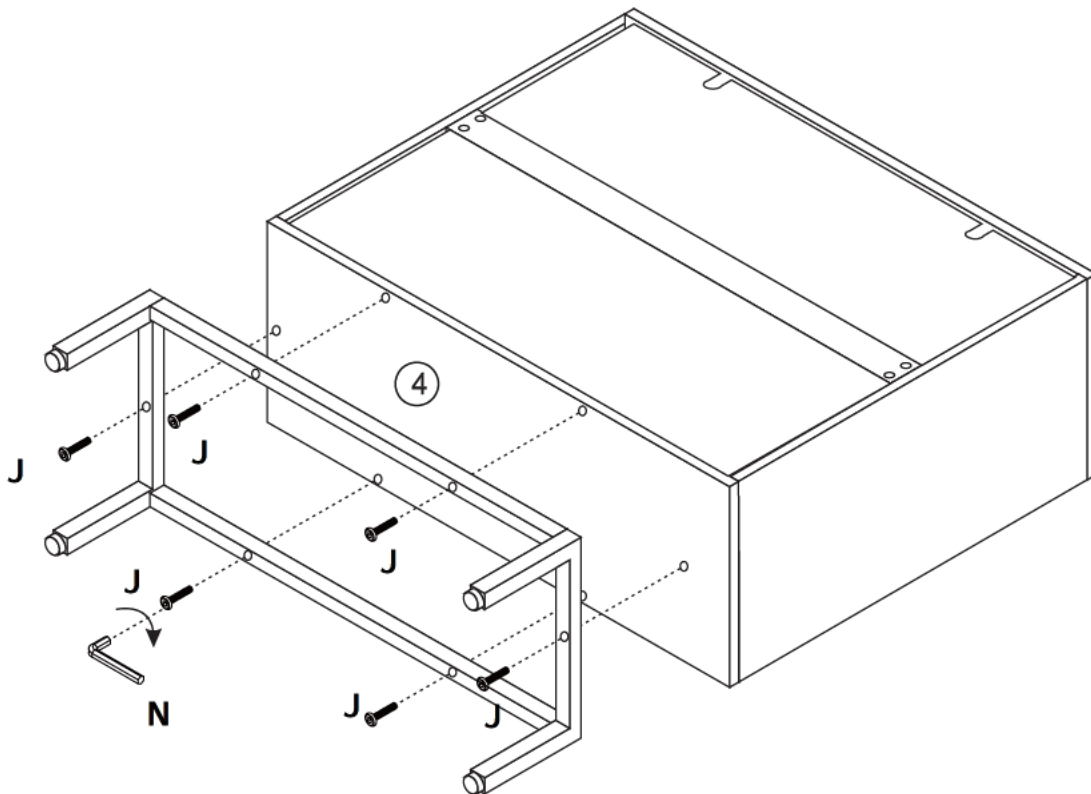


Step 6

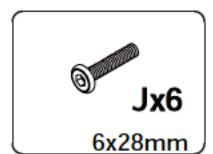
Assemble parts (11) to part (10) by screw (I), the installation position is as shown below.



Step 7

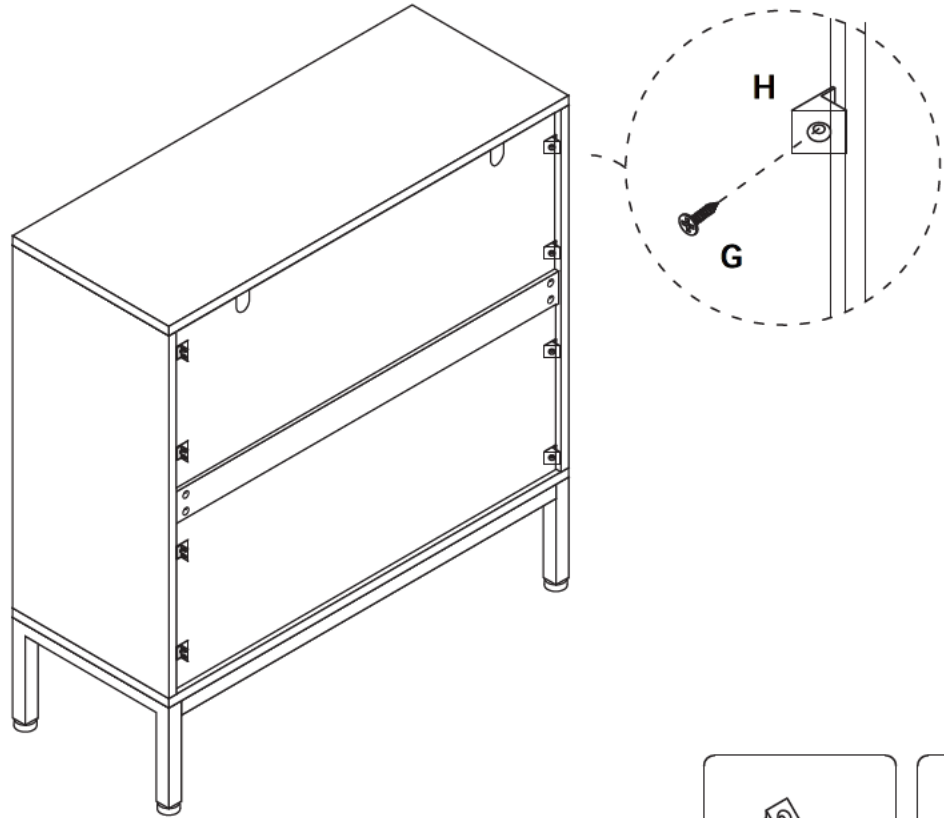


Install the bottom frame to the cabinet by screw (J).the installation is as shown above.

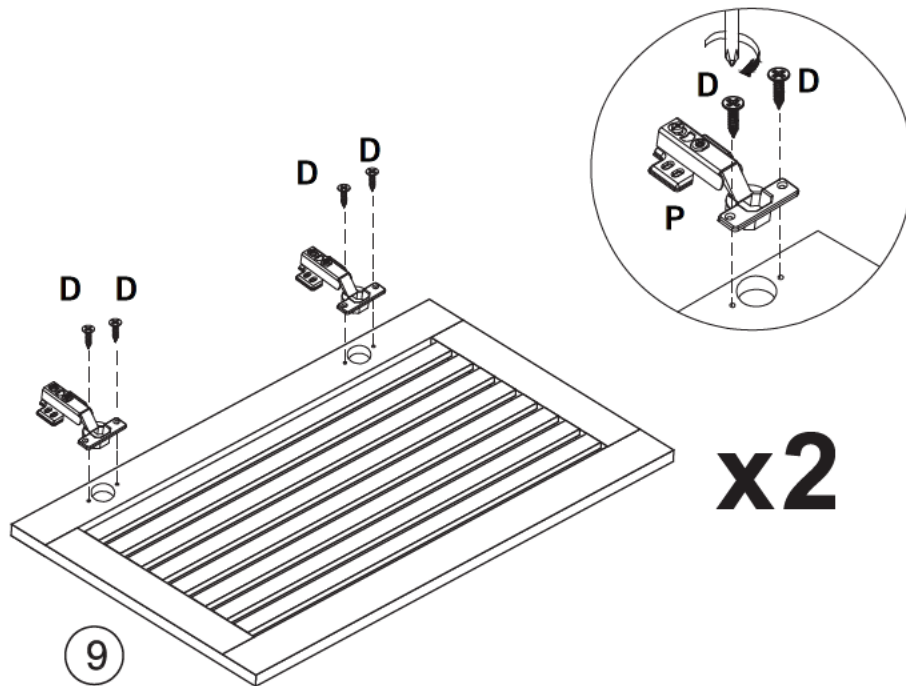


Step 8

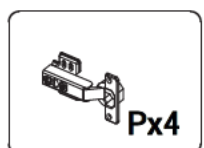
Use the screws in component (G)&(H) to fasten the back plate buckle.
The installation position is as shown in the figure below.



Step 9

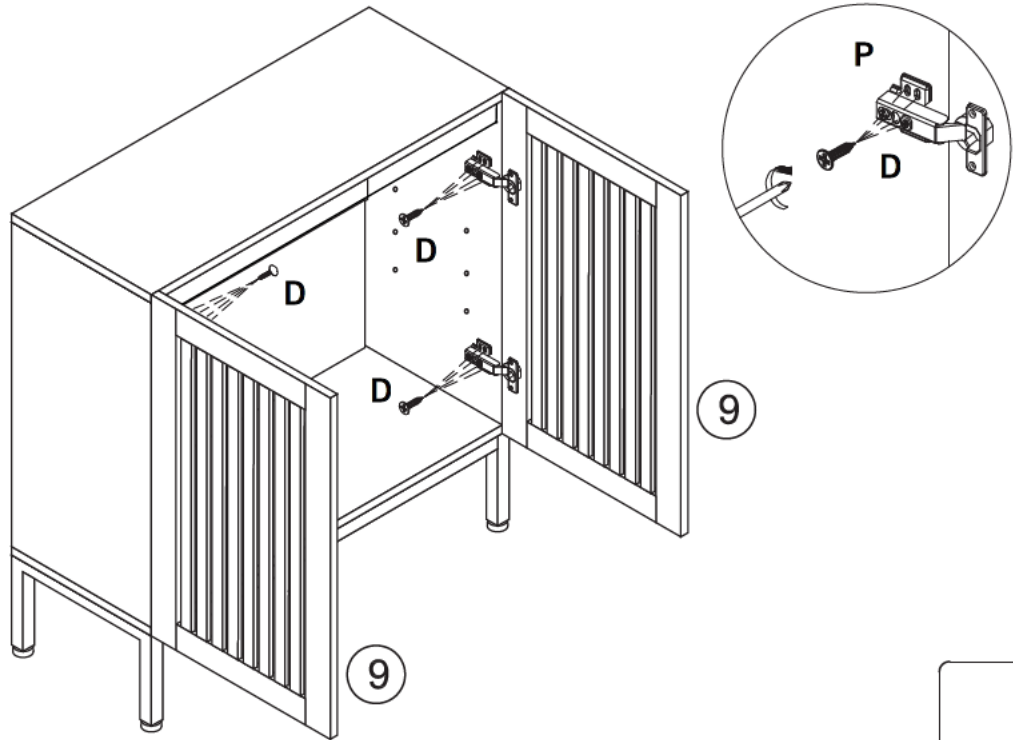


Install the hinge (P) to the door by screw (D).
The installation position is as shown below.



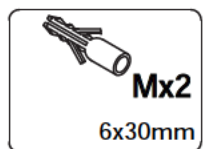
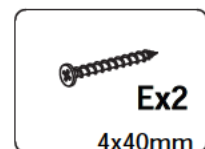
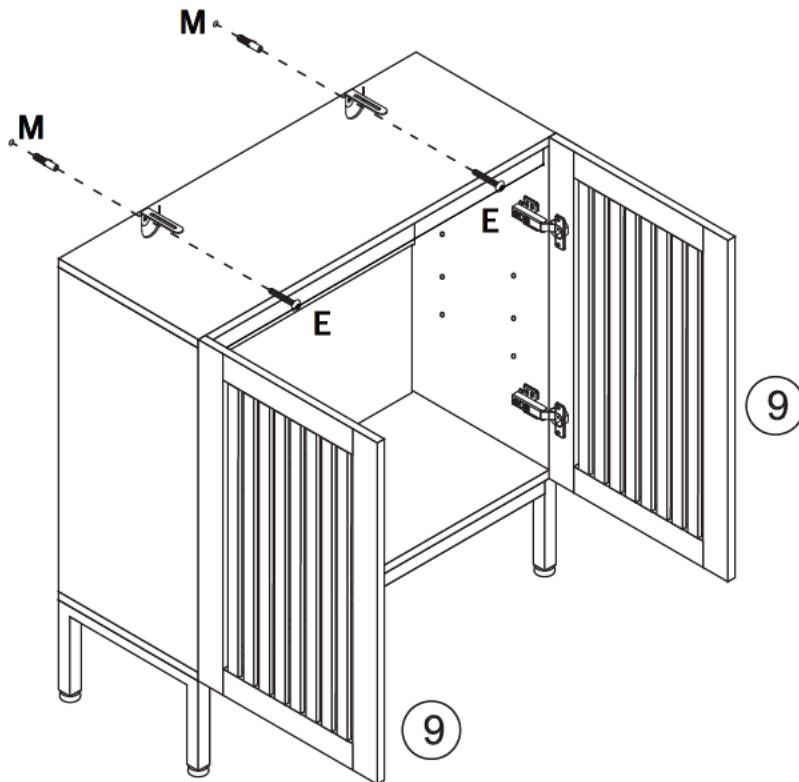
Step 10

Install the hinge (P) to the door side panel by screw (D). The installation position is as shown below.



Step 11

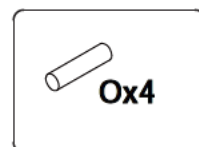
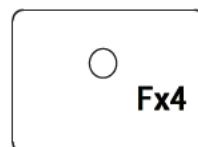
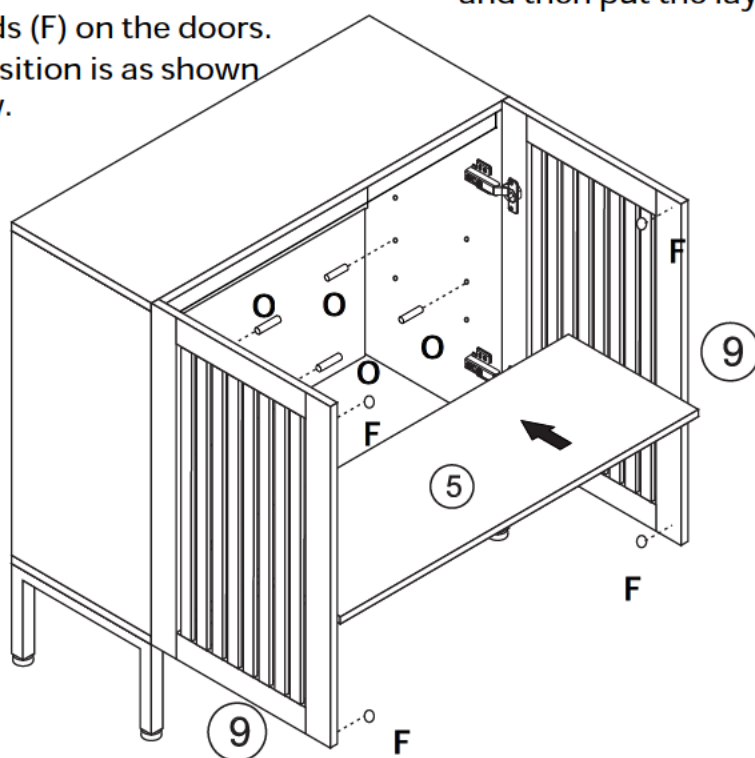
First drill holes on the wall where it is placed, and then use the long screw (E) to fix the cabinet. The installation location is as shown in the figure below.



Step 12

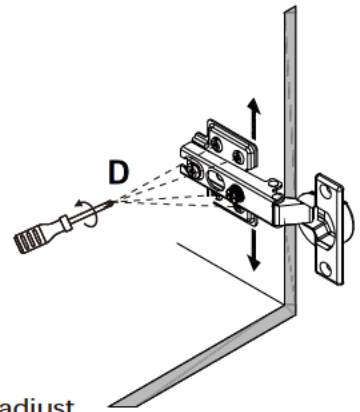
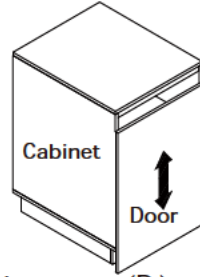
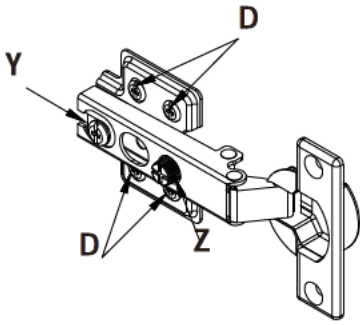
Put the plastic pads (F) on the doors.
the installation position is as shown
in the figure below.

Install the metal plug (O) on the side panels,
and then put the layer board (5) into the cabinet.

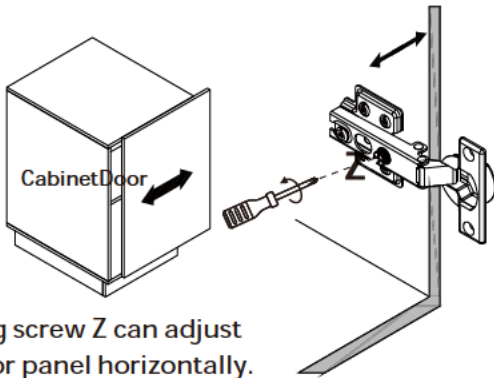


Step 13

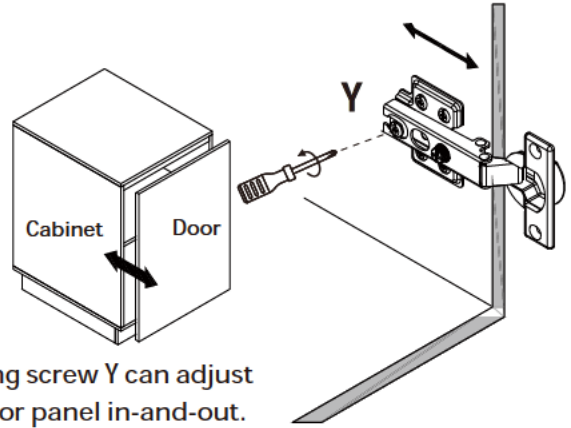
Hinges Adjustment Tips



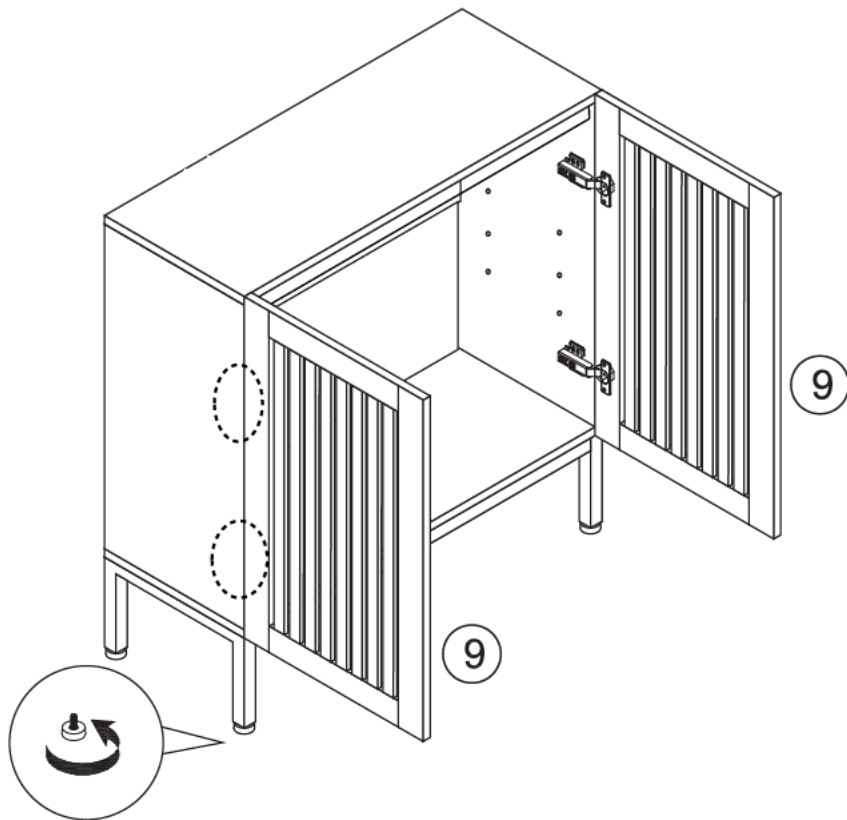
Loosening screw (D) can adjust the door panel vertically.



Loosening screw Z can adjust the door panel horizontally.



Loosening screw Y can adjust the door panel in-and-out.



The foot pads are used to adjust the height to avoid uneven door panels.