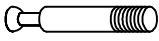




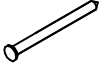




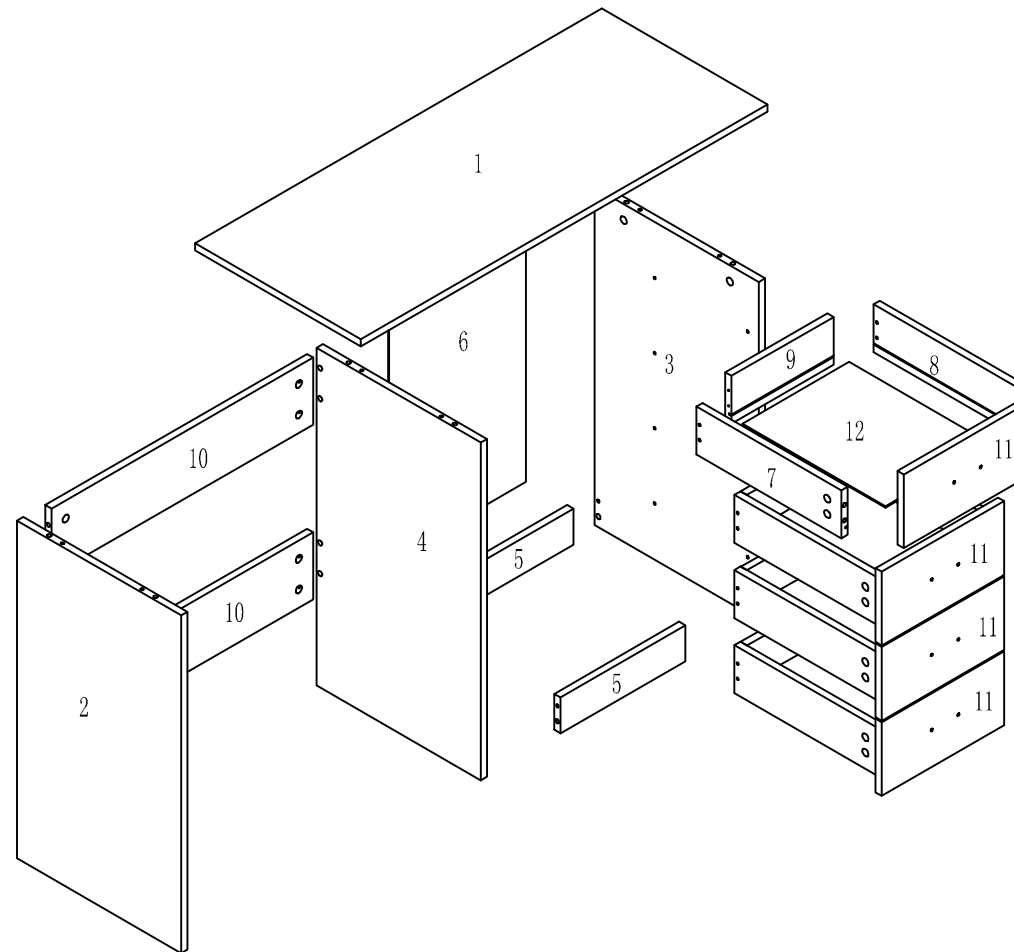
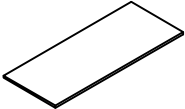
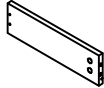
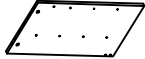
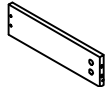

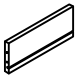

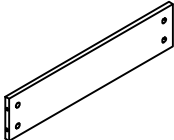
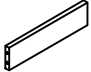
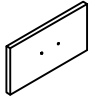
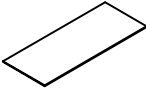
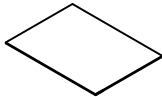


HARDWARE LIST

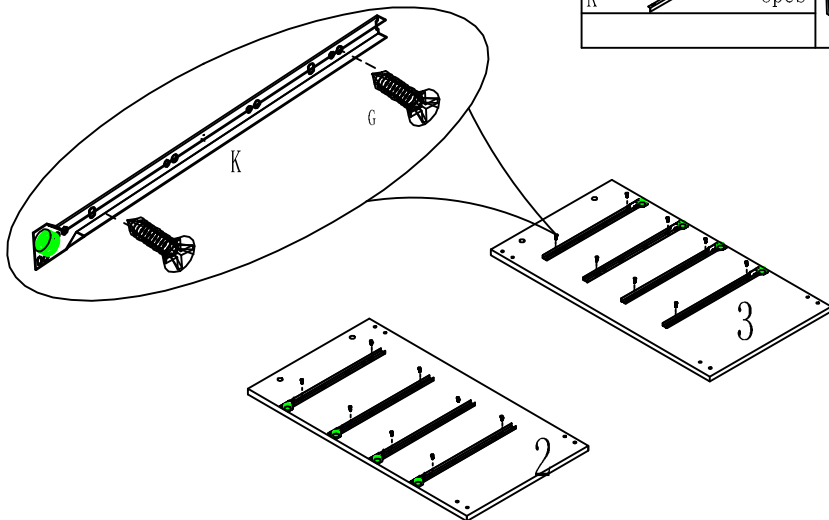
NO.	DESCRIPTION	QTY
A	 M6X34MM	34
B	 M15X12MM	34
C	 M6X30MM	10
E	 M4X38MM	16
G	 M3. 5X14MM	32
H	 Neil pin	20
I	 M4X18MM	8
D	 Nail Leg	6
J	 Handle	4
K	 350MM	4



NO.	PARTS LIST	QTY	NO.	PARTS LIST	QTY
1		1	7		4
2		1	8		4
3		1	9		4
4		1	10		2
5		2	11		4
6		1	12		4

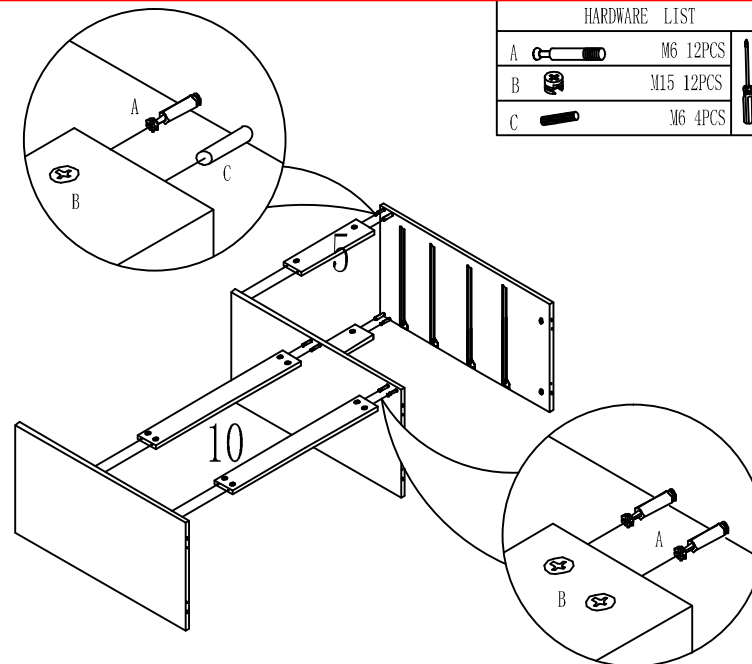
STEP 1

HARDWARE LIST	
G	M3.5 16PCS
K	8pcs



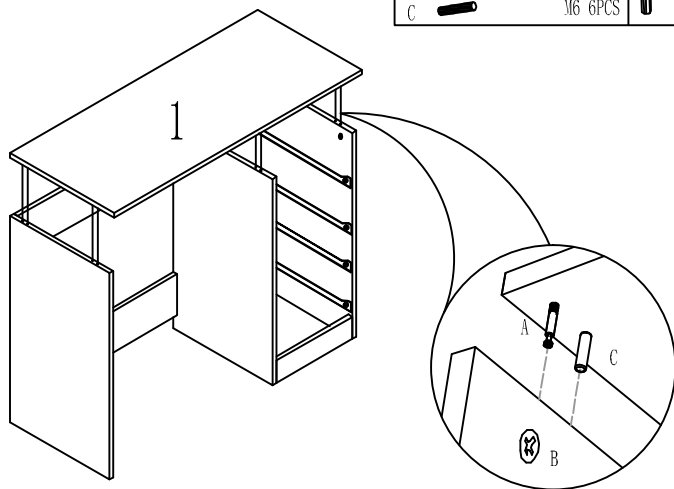
STEP 2

HARDWARE LIST	
A	M6 12PCS
B	M15 12PCS
C	M6 4PCS



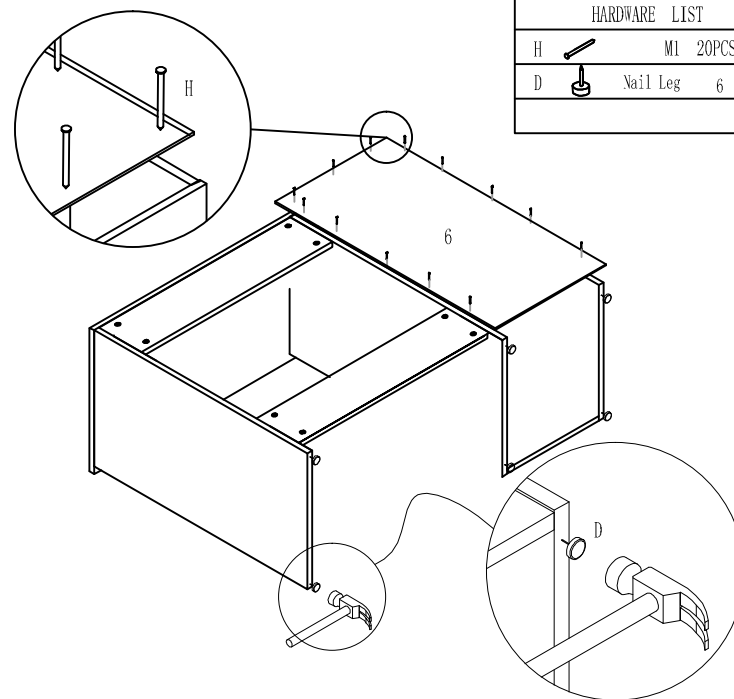
STEP 3

HARDWARE LIST	
A	M6 6PCS
B	M15 6PCS
C	M6 6PCS

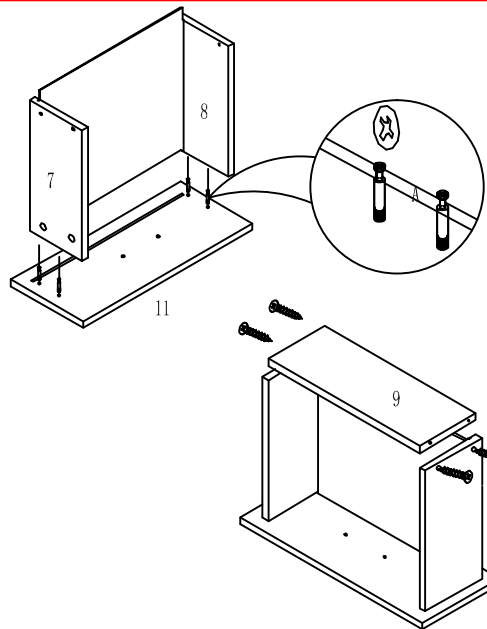


STEP 4

HARDWARE LIST	
H	M1 20PCS
D	Nail Leg 6

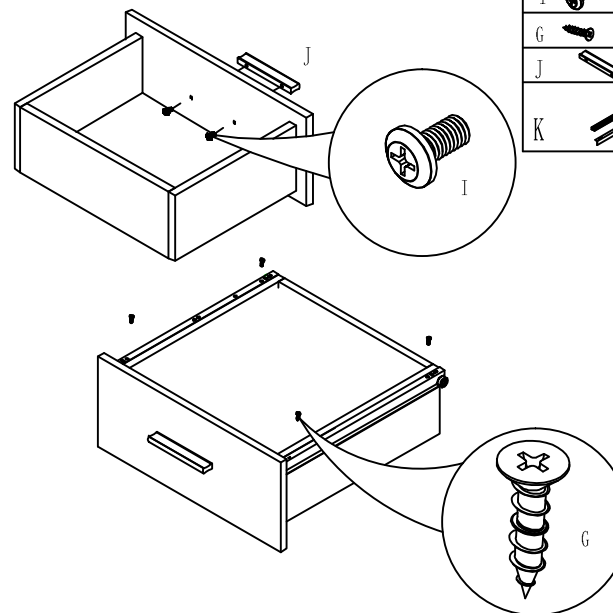


STEP 5



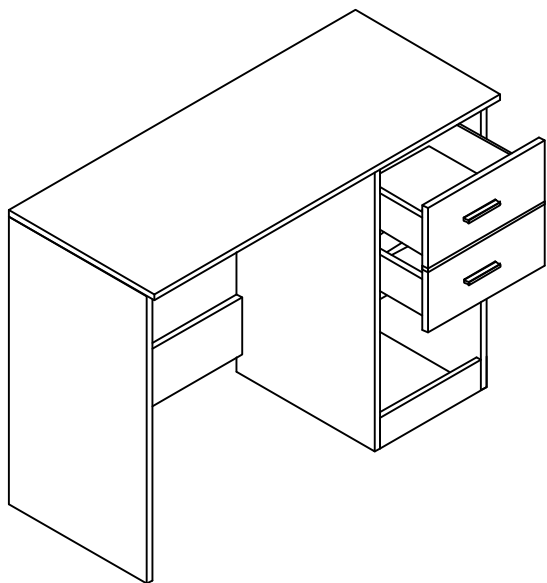
HARDWARE LIST		
A		M6 16PCS
B		M15 16PCS
E		M3.5 16PCS

STEP 6

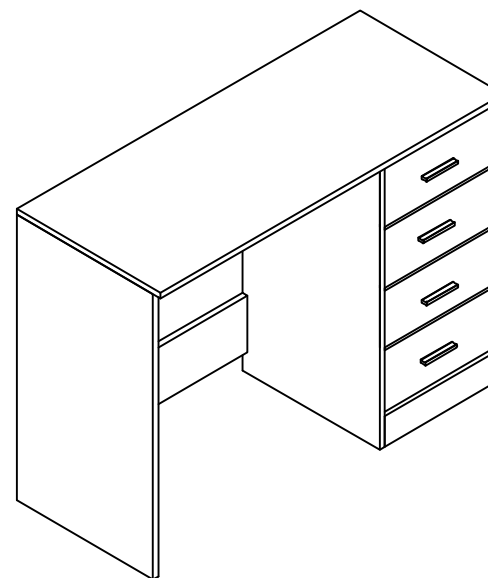


HARDWARE LIST		
I		M3.5 8PCS
G		M4 16PCS
J		4PCS
K		8pcs

STEP 7



STEP 8



OK