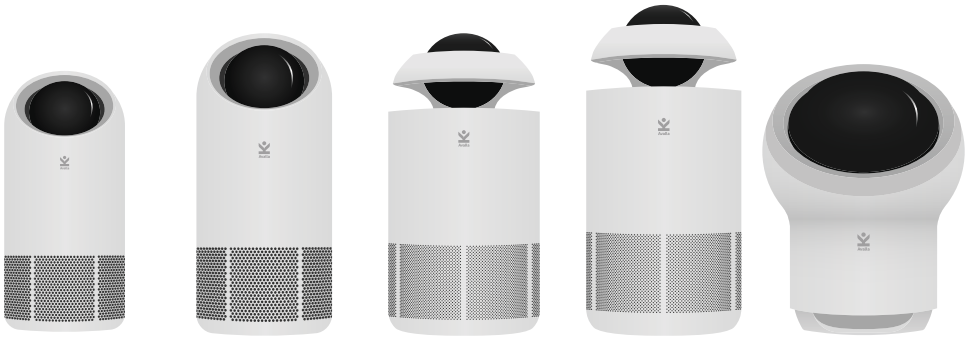


# Avalla

## Air Purifiers



R-2000

R-2200

R-4000

R-4200

R-8000

Read this manual carefully before use and keep it for future reference. Failure to do so may result in injury, property damage and may void the warranty.



[avalla.com](http://avalla.com)



# Contents

03	First time set up: all units
	• Air quality indicator: all units
	• ION mode: R-4000 / R-4200 / R-8000
	• UV mode: R-8000
04	Quick start guide: R-2000 / R-2200
05	Quick start guide: R-4000 / R-4200
06	Quick start guide: R-8000
07	Storage and disposal
	• Storage
	• Disposal
	• Symbols from plug transformer
08	Health and safety
	• General safety instructions
	• Connection to the power supply
10	Specifications
10	Troubleshooting

 Buy your spare filters at: [www.avalla.com](http://www.avalla.com)

## First time set up: all units

Open the 'Air filter cover', remove all packaging from the 'Air filter' and the power adaptor. Re-insert the 'Air filter' and re-attach the 'Air filter cover'

Plug the power adaptor into the rear of the unit and reset the filter timer following 'Filter reset' instructions.

## Air quality indicator: all units

The PM2.5 sensor monitors real-time air quality. The 'Air quality indicator' will change colour depending on air quality.



PM2.5 0-75  
Good



PM2.5 76-150  
Moderate



PM2.5 151+  
High Risk

## ION mode: R-4000 / R-4200 / R-8000

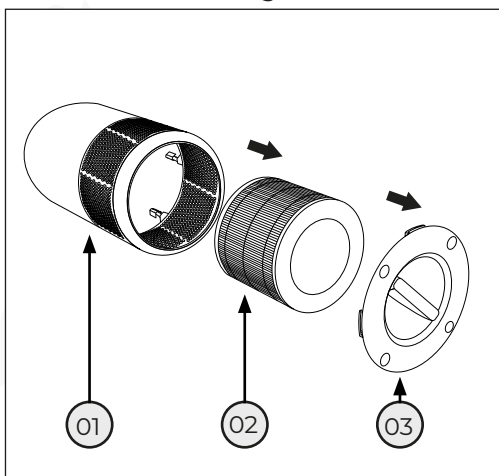
ION mode negatively charges particles as they pass through your air purifier causing them to clump together and become more easily embedded in the True HEPA filter.

## UV mode: R-8000

The R-8000 uses UV light to safely disable airborne bacteria and viruses.

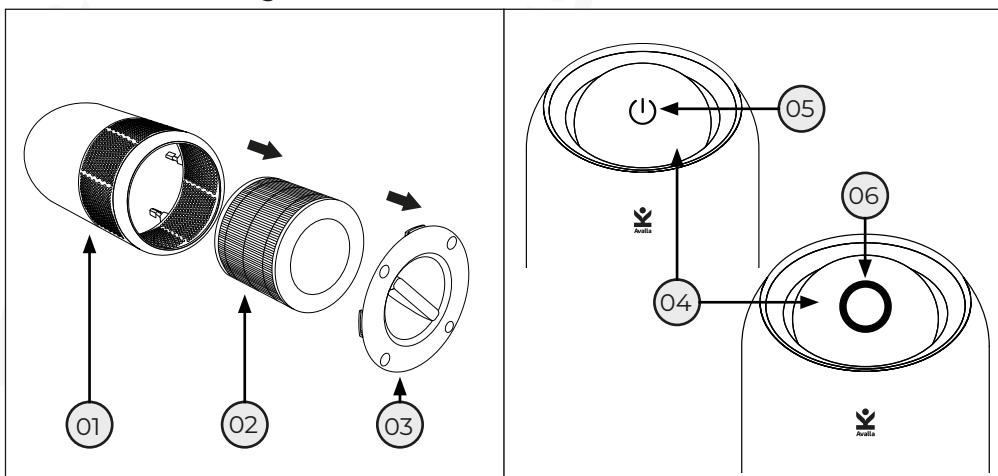
# Quick start guide: R-2000 / R-2200

## Parts guide





- 01. Main body
- 02. Air filter
- 03. Air filter cover

## Controls



- 04. Visor
- 05. Power button (Visor closed)
- 06. Air quality indicator (Visor open)

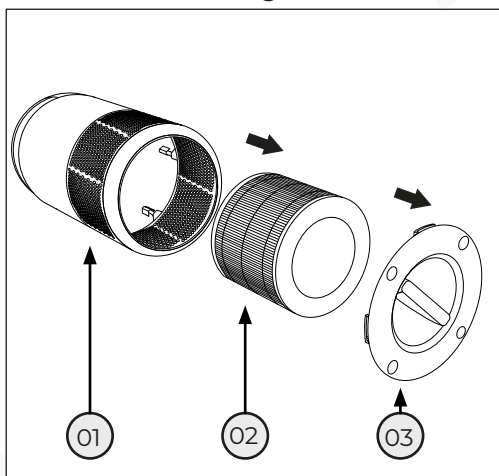
 **Power** - When you first plug the unit in, the 'Visor' will open and the unit will perform an air quality test in Auto mode. The fan will blow at high speed then react to the air quality automatically. To switch the unit off, press the middle of the 'Air quality indicator' or slide the 'Visor' all the way down. To turn the unit on again, press the 'Power button'.

 **Fan speed** - To manually select the fan speed, move the 'Visor' up to increase fan speed and down to decrease. There are three fan speeds; low, medium and high.

**Filter reset** - If the 'Air quality indicator' flashes red, replace the 'Air filter', press and hold the centre of the 'Air quality indicator' for seven seconds to reset the timer.

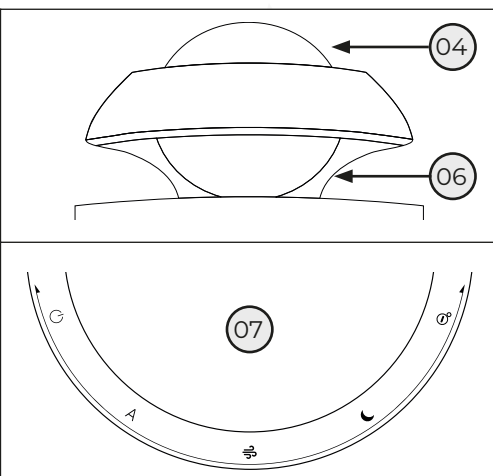
# Quick start guide: R-4000 / R-4200

Parts guide



- 01. Main body
- 02. Air filter
- 03. Air filter cover

Controls



- 04. Dome
- 06. Air quality indicator
- 07. Control panel (on top of unit)



**Power** - Turn the 'Dome' to this position to turn the unit off.



**Auto mode** - Turn the 'Dome' to this position to select Auto mode. The unit will adjust fan speed according to the air quality.



**High speed** - Turn the 'Dome' to this position to select high speed. The fan will run at maximum speed.



**Sleep mode** - Turn the 'Dome' to this position to select sleep mode. The fan will run at low speed and the lights on the unit will dim.

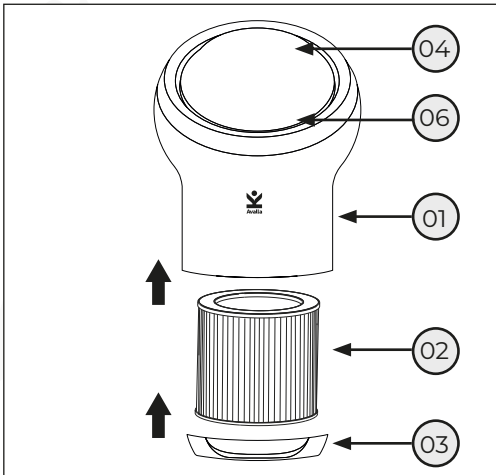


**ION** - Turn the 'Dome' to this position and press to toggle ION on or off in any mode. Turn the 'Dome' back to your selected mode.

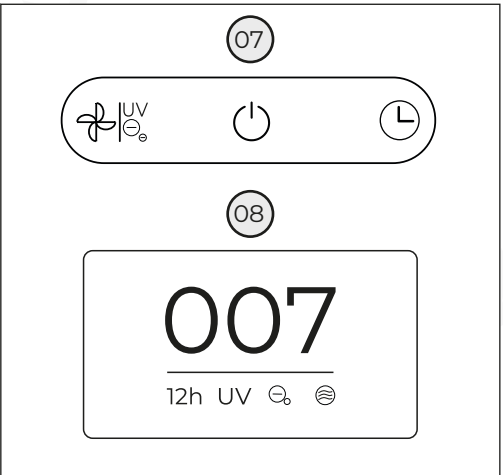
**Filter reset** - If the 'Air quality indicator' flashes orange, replace the 'Air filter', press and hold the 'Dome' for five seconds to reset the timer.

# Quick start guide: R-8000

Parts guide





Controls / Display



- 01. Main body
- 02. Air filter
- 03. Air filter cover

- 04. Dome
- 06. Air quality indicator
- 07. Control panel (on top of unit)
- 08. Digital display

 **Power** - Press the 'Dome' or 'Power' to turn the unit on / off.

 **Fan speed** – Press to select your preferred fan speed. The options are low, high, sleep or auto. Your selected speed will be shown on the 'Digital display'.



Low



High



Sleep




Auto

Sleep mode will use the quietest fan speed and switch off the display. Tap any button to wake.

In auto, the fan speed will adjust automatically depending on the air quality.

 **UV/ION** - Long press to enable / disable the UV and ION functions. The UV and ION functions will disable after 2 hours.

 **Timer** – Press to select how many hours until you would like the air purifier to automatically turn off. The timer cycles between 2H-4H-8H-12H and OFF.


**Filter reset** - When the filter needs to be replaced, the 'Air filter' symbol flashes yellow. Replace the 'Air filter' then press and hold the UV/ION button for seven seconds to reset.

# Storage and disposal


## Storage

The pre-filter and body of the unit should be cleaned regularly and prior to long term storage. Always store in a cool, dry place.

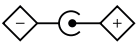
- Ensure the unit is switched off and unplugged from the mains power.
- Remove the filter from the unit.
- Clean the filter chamber, air inlet and the outside of the unit with a dry cloth.

 **Warning:** Do not use any abrasive materials or cleaning products on any part of the air purifier. The filters are not washable. Only use genuine Avalla filters designed for this specific model.

## Disposal

 The adjacent symbol of a crossed-out wheeled bin indicates that this device is subject to Directive 2012/19/EU. This directive states that you must not dispose of this device with your general household waste at the end of its working life, but rather take it to a specially established collection point, recycling centre or waste disposal company. This disposal is free of charge for you. Protect the environment and dispose of it properly.

## Symbols from plug transformer



Coaxial power connector



Safety isolating.  
Products with this symbol are designed so the output is electrically isolated from the unit.



Indoor use only



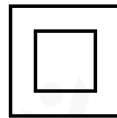
Power supply unit, switch mode. SMPS



UK  
Conformity  
Assessed



European  
Conformity



Class II  
Construction  
(Double  
Insulated)



WEEE - Waste Electrical & Electronic Equipment.  
Do not dispose of Waste Electrical & Electronic Equipment in with domestic rubbish.

# Health and safety

## General safety instructions

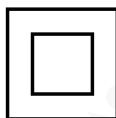
Symbols from the unit



Read the instruction manual



European Conformity



Class II Construction (Double Insulated)



WEEE - Waste Electrical & Electronic Equipment. Do not dispose of Waste Electrical & Electronic Equipment in with domestic rubbish.



### The following must always be observed for safety

- This appliance is not intended to be used by children. Persons with lack of experience or knowledge, reduced physical, sensory, or mental capabilities, can use this appliance if they have been given supervision or instruction concerning use of the appliance in a safe way.
- Component parts must only be replaced with identical repair parts.
- The appliance must be disconnected from its power source during servicing, cleaning or when not in use. Do not use chemicals to clean the appliance.
- Always operate the unit from power outlet of equal voltage, frequency and rating as indicated on the product identification plate.
- Do not operate with wet hands. Keep the unit away from sources or water, moisture, or any other liquids.
- Do not leave the unit running unattended. Do not unplug or tilt the unit while it is in operation.
- Do not unplug by pulling on the power cord.
- Do not put objects on the unit, climb or sit on the unit.
- Do not insert fingers or other objects into the air outlet.
- Do not operate the unit if it is dropped, damaged or showing signs of product malfunction.
- The unit must be installed in accordance with national wiring regulations.
- The appliance must be stored in a manner to prevent mechanical damage.
- Do not place in direct sunlight or near objects that may cause mechanical vibration or shock.

- Position the unit on an even / flat surface, away from excessive dust, and always maintain the unit to ensure that excessive dust does not accumulate anywhere on the unit.
- Do not use the appliance where combustible / flammable gases or vapours are present.
- Do not use the appliance outdoors, it is designed only for indoor use.
- This appliance is not a substitute for proper ventilation.
- Never use the appliance unless it is fully assembled and with filters in place.
- Leave at least 20cm free space around the appliance and at least 30cm free space above the appliance.
- Do not use this appliance when using indoor smoke-type insect repellents or in places with oily residues, burning incense, or chemical fumes.
- Do not use the appliance in a room with major temperature changes, as this may cause condensation inside the appliance.
- Always wash your hands thoroughly after changing or cleaning a filter.

## Connection to the power supply

**Caution:** Risk of electric shock. Do not open.

- This appliance is supplied with a moulded 3 pin mains plug for your safety. The value of the fuse fitted is marked on the pin face of the plug. Should the fuse need replacing, ensure the substitute is of the correct rating, approved to BS1362 and ASTA or BSI Kite marked.  
ASTA:  BSI: 
- The fuse cover is removable with a small plain slot screwdriver. Ensure the fuse cover is replaced before attempting to connect the plug to an electrical outlet. If the cover is missing, a replacement must be obtained or the plug replaced with a suitable type.
- Ensure you use the supplied transformer with this product.
- If a replacement plug is to be fitted this must be carried out by a qualified electrician.
- The damaged or incomplete plug, when cut from the cable should be disabled to prevent connection to a live electrical outlet.
- This appliance is Class II and is designed for connection to a power supply matching that detailed on the rating label and compatible with the plug fitted.
- If an extension lead is required, use an approved and compatible lead rated for this appliance. Follow all the instructions supplied with the extension lead.

- Double insulated : This product requires no earth connection as supplementary insulation is applied to the basic insulation to protect against electric shock in the event of failure of the basic insulation.

**Important:** If using an extension lead, follow the instructions that came with your lead regarding maximum load while cable is wound. If in doubt, ensure that the entire cable is unwound. Using a coiled extension lead will generate heat which could melt the lead and cause a fire.

**Failure to abide by any of these warnings could result in a fire, explosion, electric shock, injury, death, and property damage.**

## Specifications

	<b>R-2000</b>	<b>R-2200</b>	<b>R-4000</b>	<b>R-4200</b>	<b>R-8000</b>
<b>Power</b>	23W	45W	23W	40W	45W
<b>CADR</b>	100m <sup>3</sup> /Hr	250m <sup>3</sup> /Hr	100m <sup>3</sup> /Hr	400m <sup>3</sup> /Hr	300m <sup>3</sup> /Hr
<b>Coverage</b>	12m <sup>2</sup>	30m <sup>2</sup>	12m <sup>2</sup>	45m <sup>2</sup>	36m <sup>2</sup>
<b>Max noise</b>	<50dB	<60dB	<55dB	<60dB	<60dB
<b>Min noise</b>	<30dB	<30dB	<40dB	<30dB	<30dB

## Troubleshooting

<b>Issue</b>	<b>Cause identification</b>	<b>Solution</b>
<b>The unit does not operate</b>	Is the filter replacement light on?	Replace the filter
<b>Excessive noise</b>	Has the protective cover been removed from the filter?	Remove the filter protective cover
	Is the unit positioned on flat ground?	Place the unit on flat, firm ground
<b>The unit powered off</b>	Was the unit turned on for 48 hours?	After 48 hours of continuous use, the unit will automatically power down for safety

Avalla Ltd. Unit A 73, Common Road, Chandler's Ford,  
Eastleigh, SO53 1HE. United Kingdom  
Company no. 13477899  
support@avalla.com

