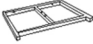







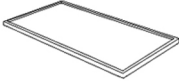









Please read these instructions and warranty information carefully before use and keep them properly for future reference.

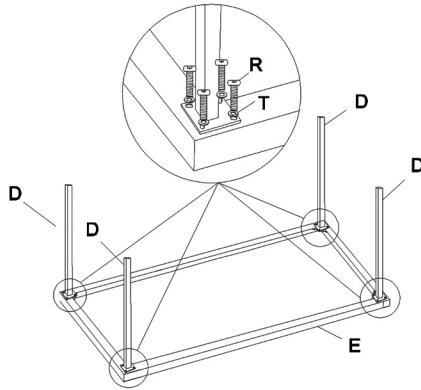
OPERATING INSTRUCTIONS

Part List

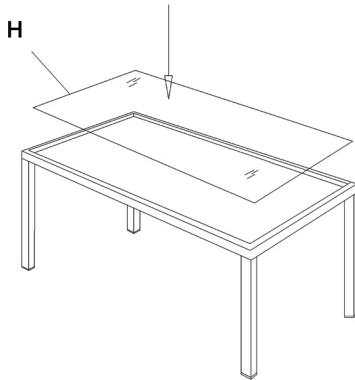
A		4PCS	Q	 M6*30mm	26PCS
B		2PCS	R	 M6*20mm	16PCS
C		2PCS	S	 M6*15mm	8PCS
D		4PCS	T	 Ø6.5*1.0	50PCS
E		1PCS	U		2PCS
H		1PCS	V		1PCS
J		2PCS			
K		2PCS			
M		2PCS			
N		2PCS			

Assembly Instructions

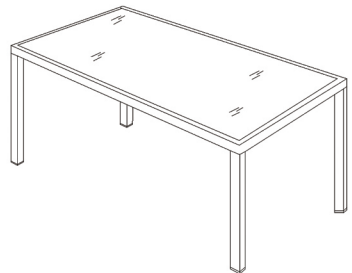
STEP1:



STEP2:

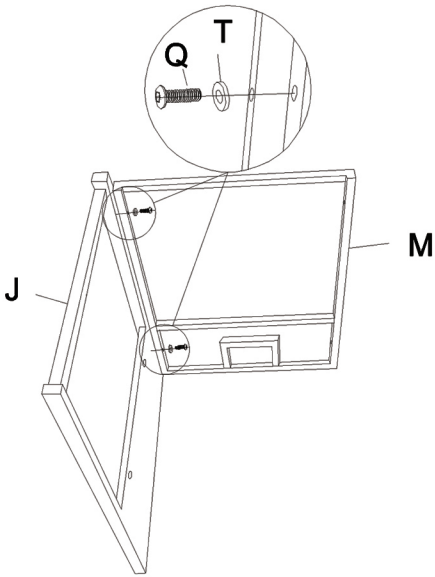


STEP3:

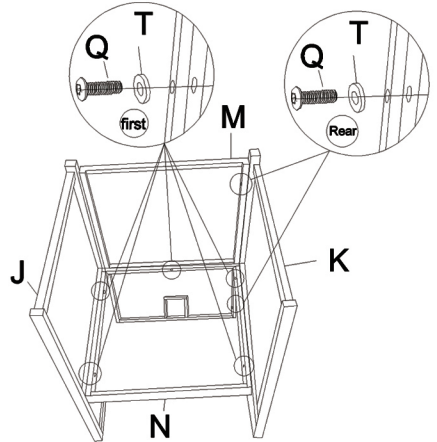


Assembly Instructions

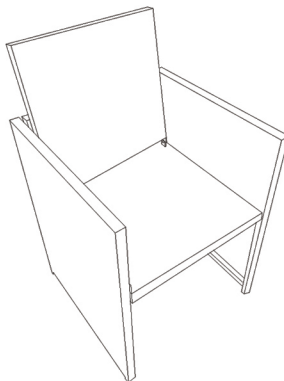
STEP4:



STEP5:

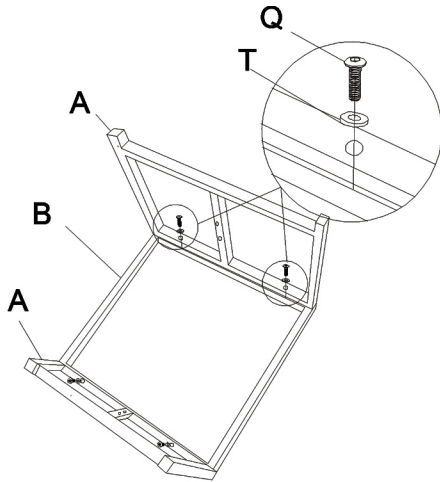


STEP6:

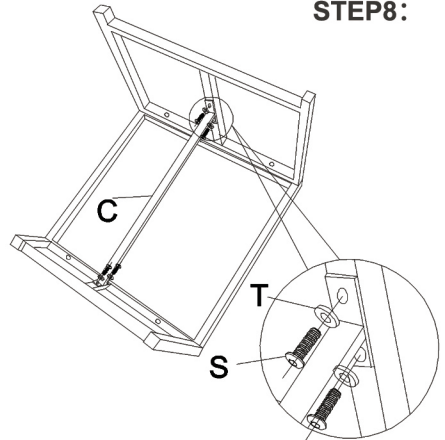


Assembly Instructions

STEP7:



STEP8:



STEP9:

