

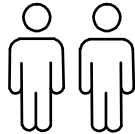
ASSEMBLY INSTRUCTIONS

bed - king

+ Do Not Use Power Tools



+ Suggested Adults



NOTE:

- 1 Read instructions cover to cover.
- 2 Save all packaging until assembly is completed.

1 IMPORTANT SAFETY INFORMATION

Do not assemble the product if any of the following parts arrived damaged:

- Part # ③ -Side Rails
- Part # ⑤ -Center Support Bar
- Part # ⑥ -Support Legs
- Part # ⑦ -Slats

2 IMPORTANT ASSEMBLY INFORMATION

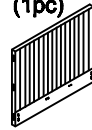
Assembly Step ③ Ensure the side rail bracket is fully hooked onto bolt A loosely threaded with both washers on the **OUTSIDE** of the bracket first, then proceed to fully tightening all 4 corners.

Assembly Step ⑦ When installing slats, ensure that the curve is facing upwards. (↖) (↘)

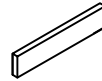
*Slats come packed in the bottom of headboard carton.

+ Parts Included

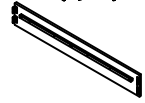
① Head Board (1pc)



② Foot Board (1pc)



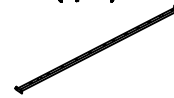
③ Side Rails (2pcs)



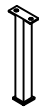
④ Double Plastic cap (30pcs)



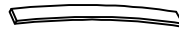
⑤ Center Support Bar (2pcs)



⑥ Support Legs (4pcs)



⑦ Slats (45pcs)



⑧ Single Plastic cap (30pcs)



⑨ - Metal bar (2pcs)

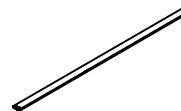


⑩ - Metal bar (2pcs)

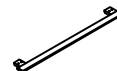


*Slats come packed in the bottom of headboard carton.

⑪ - Metal bar (2pcs)



⑫ - Metal bar (2pcs)



⑬ - Metal bar (1pc)



+ Hardware Included

A Bolt M8*30mm (32pcs)



B Bolt M8*20mm (20pcs)



C Nut M8*13mm (18pcs)



D Spring Washer (10pcs)



E flat washer 10x20mm (52pcs)



F M8 Allen Key 1pc



G Spanner 1pc



H M8*82mm 6pcs



I flat washer 10x25mm (10pcs)



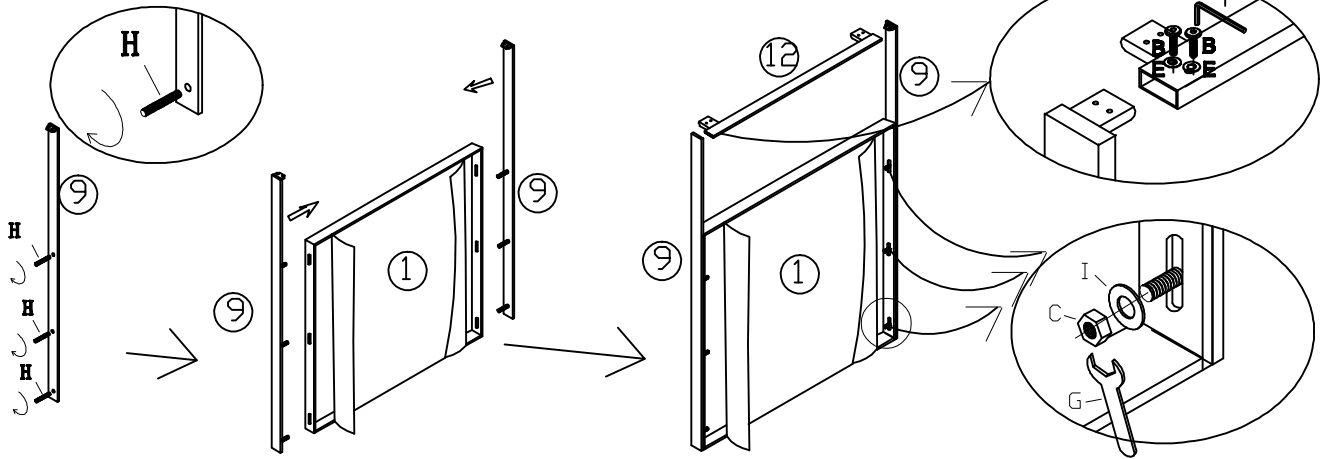
J M8*125mm 4pcs



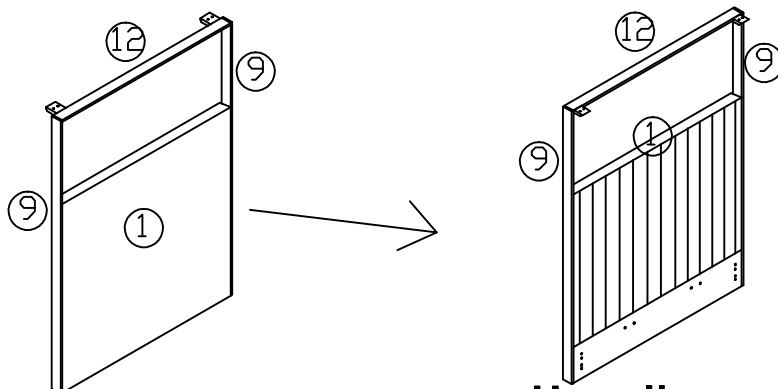
ASSEMBLY INSTRUCTIONS

bed - king

STEP 1:

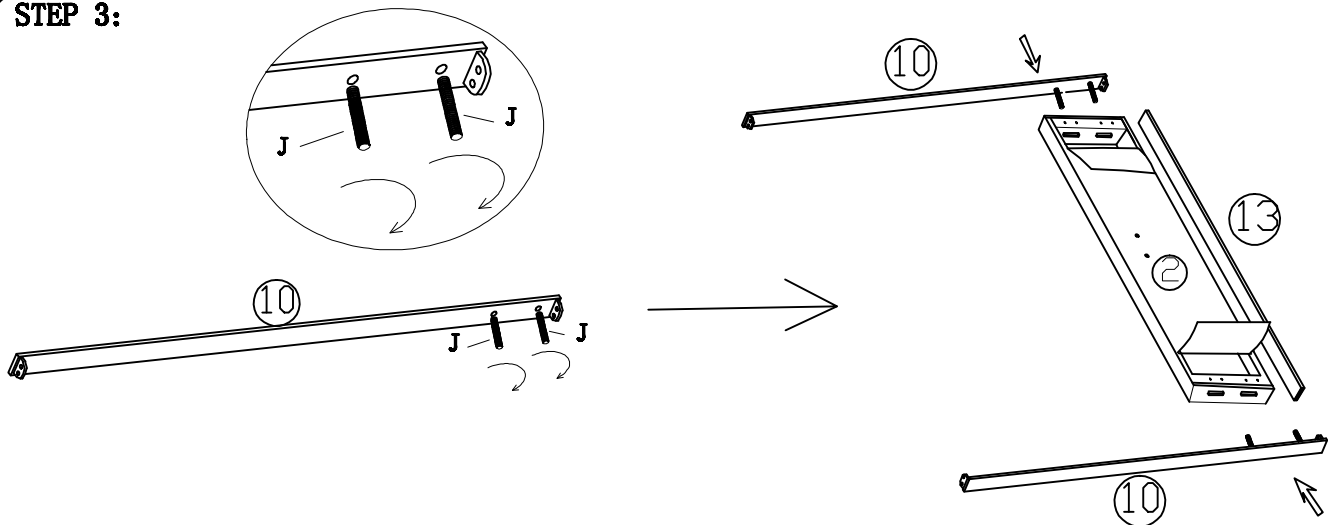


STEP 2:



Headboard is assembled

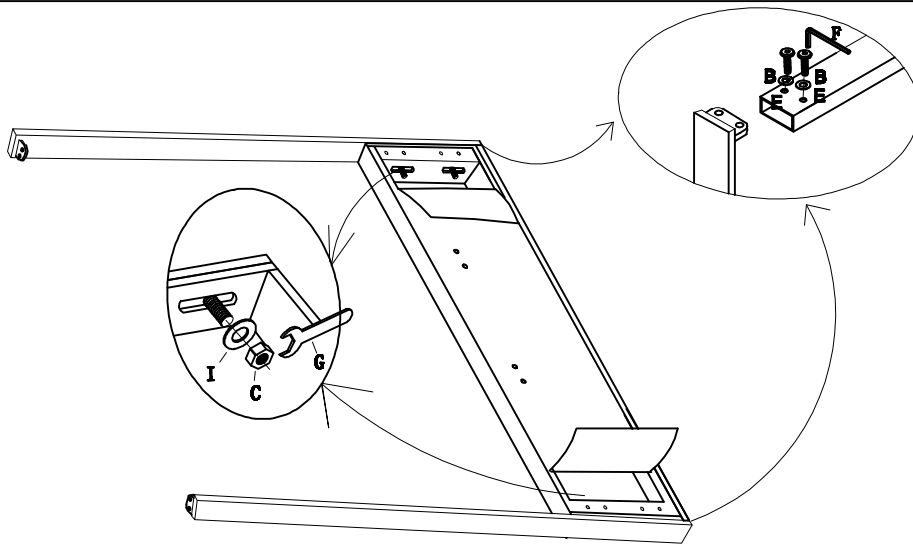
STEP 3:



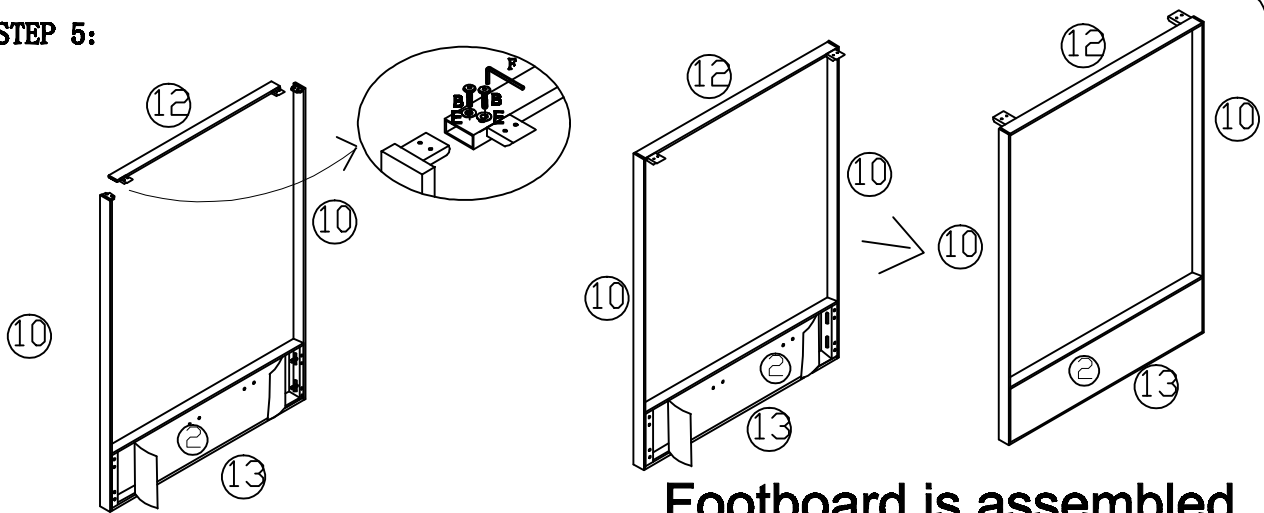
ASSEMBLY INSTRUCTIONS

bed - king

STEP 4:

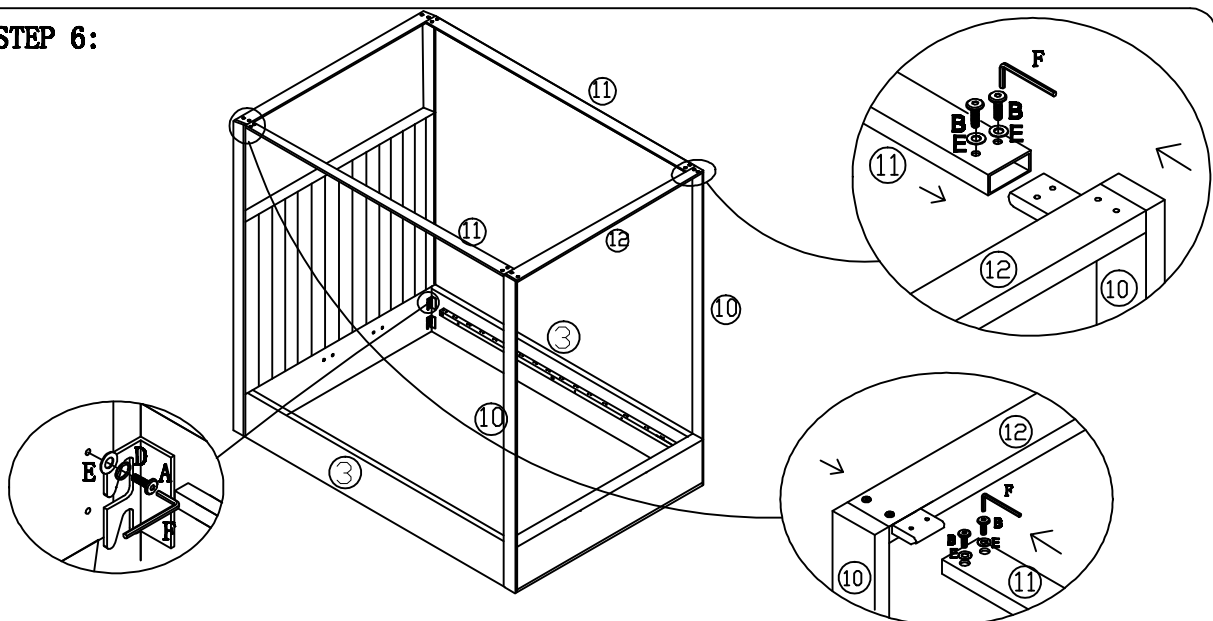


STEP 5:



Footboard is assembled

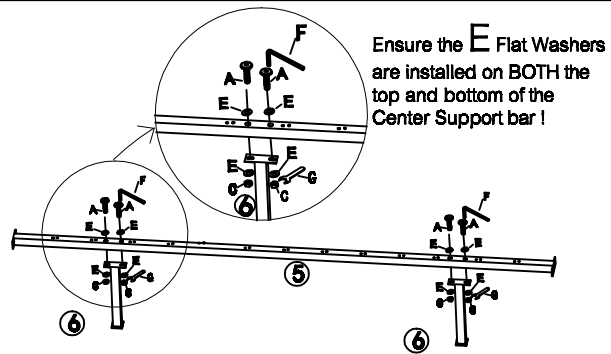
STEP 6:



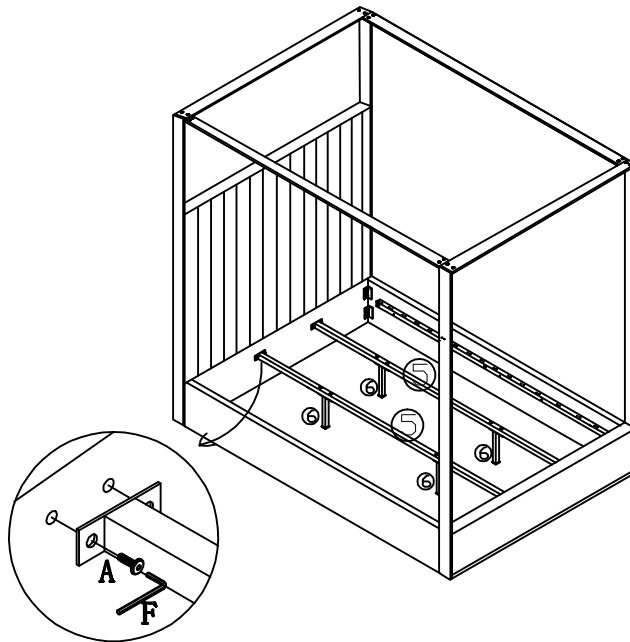
ASSEMBLY INSTRUCTIONS

bed - king

STEP 7:

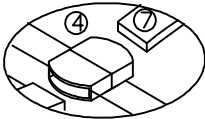
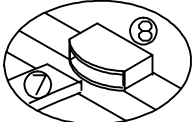


STEP 8:



STEP 9:

When installing slats, ensure that the curve is facing upwards. (✓) (✗)



packed in the bottom of headboard carton.

